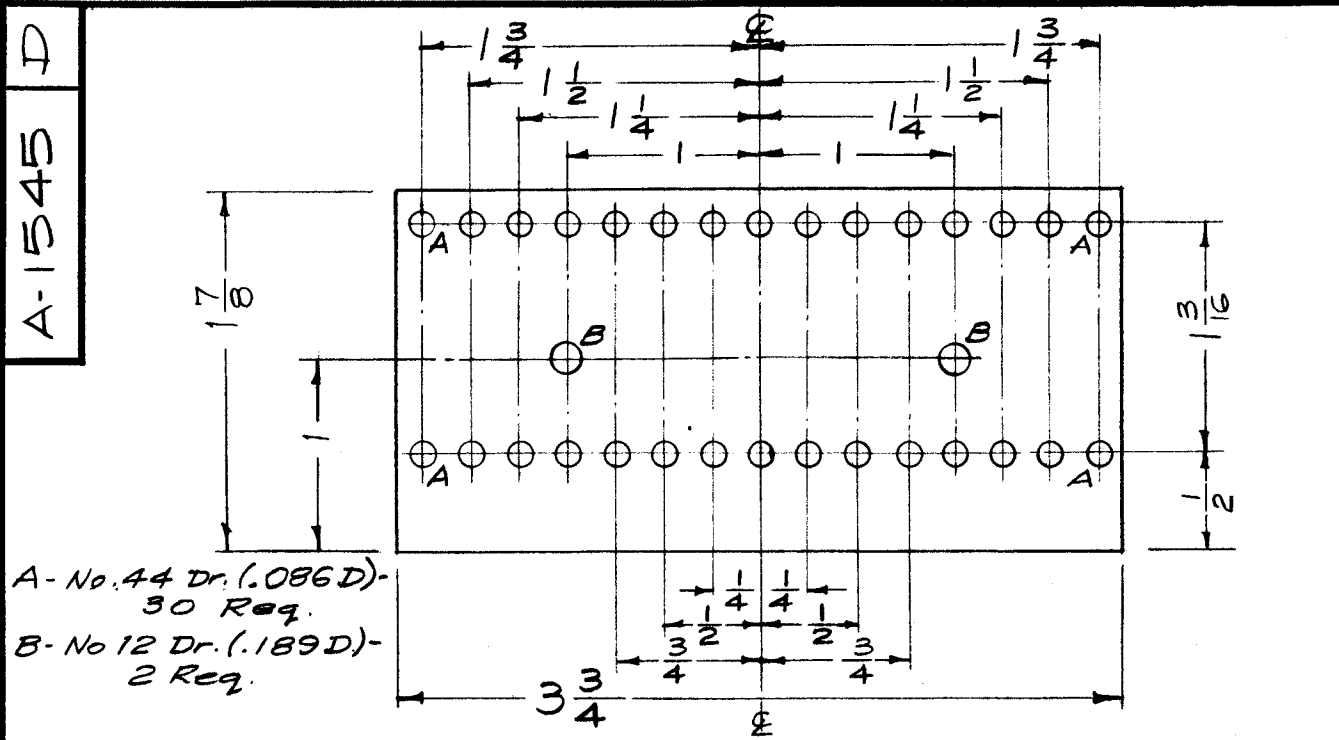
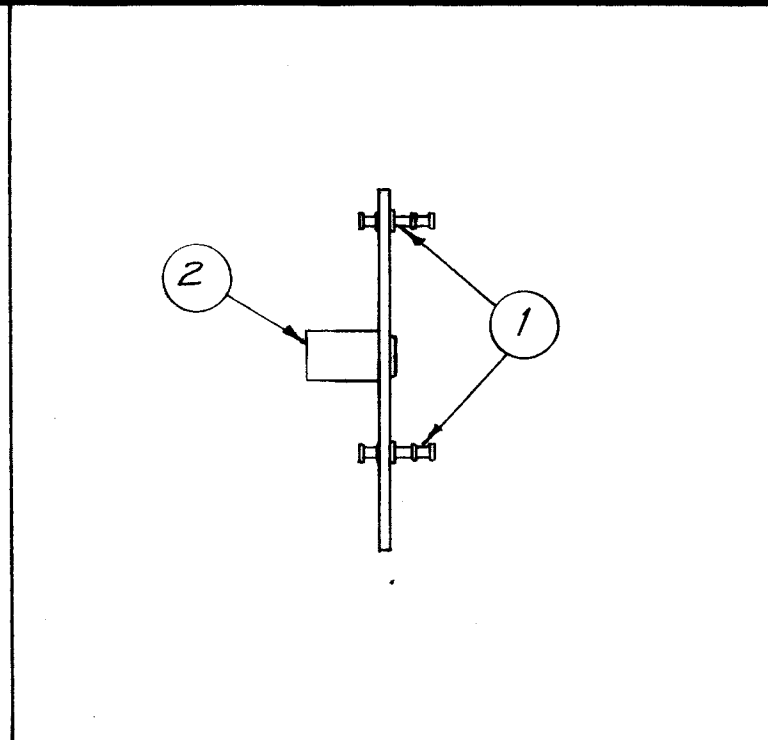


A-1545 D

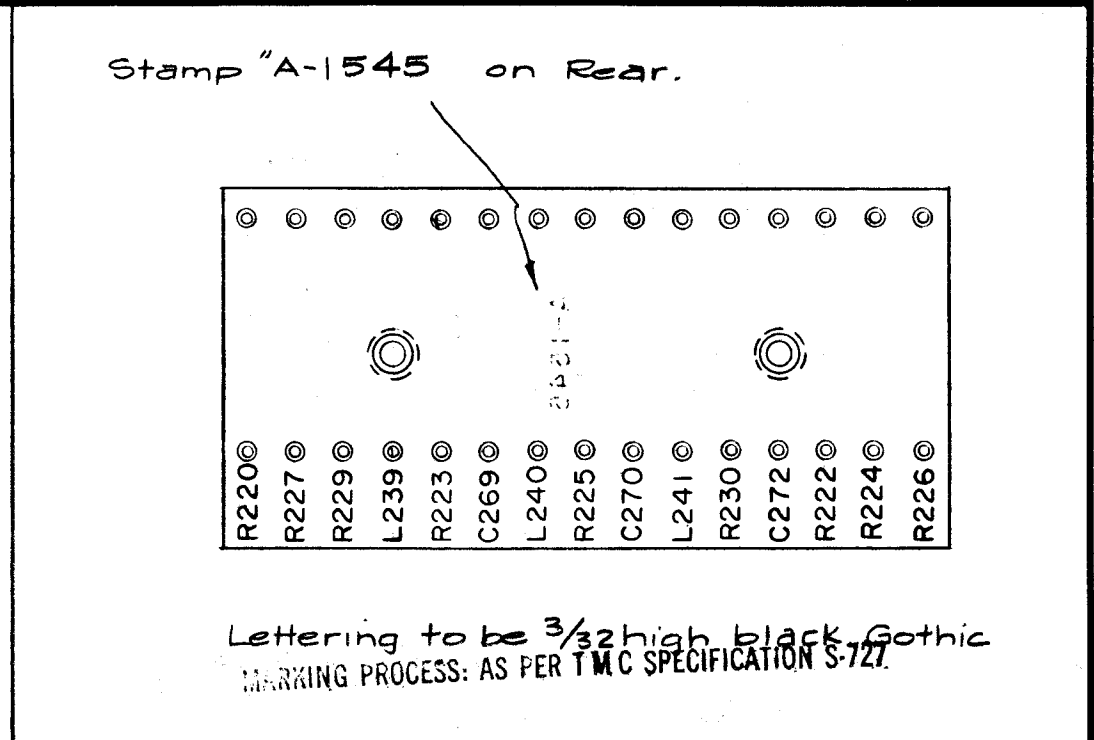


A - No. 44 Dr. (.086 D) - 30 Req.
 B - No 12 Dr. (.189 D) - 2 Req.

STAGE 1 (MACHINING)

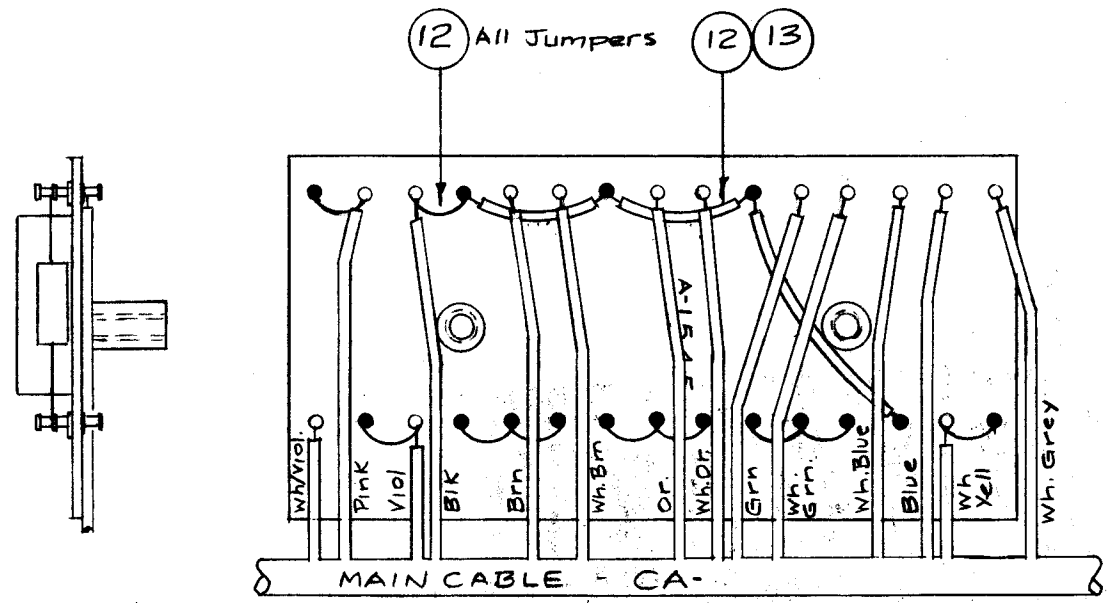
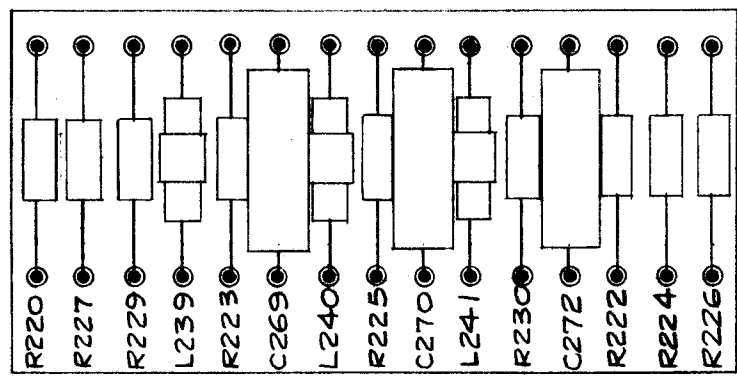


STAGE 2 (MECHANICAL ASS'Y.)



Stamp "A-1545" on Rear.
 Lettering to be 3/32 high black Gothic
 MARKING PROCESS: AS PER TMC SPECIFICATION S-727.

STAGE 3 (STAMPING)



Note - Solder all connections indicated by blackened terminals on this Ass'y. All other terminals, which have cable connections, must be soldered upon Ass'y. into Unit.

STAGE 4 (ELECTRICAL ASS'Y.)

NOTICE TO PERSONS RECEIVING THIS DRAWING

THE TECHNICAL MATERIEL CORPORATION claims proprietary right in the material disclosed hereon. This drawing is issued in confidence for engineering information only and may not be reproduced or used to manufacture anything shown hereon without permission from THE TECHNICAL MATERIEL CORPORATION to the user. This drawing is loaned for mutual assistance and is subject to recall at any time.

Property of:

THE TECHNICAL MATERIEL CORPORATION
 MAMARONECK, NEW YORK

REQ. ITEM	PART NO.	DESCRIPTION	SYMBOL
1	15	RC20GF222K	Resistor, Fixed, Comp. R227
1	14	RC20GF104K	Resistor, Fixed, Comp. R220
2 1/2	13	PX-104-1-.022	Insulation, Sleeving (# 24) Blk.
X	12	WL-100-8	Wire, Buss (Size 24)
1	11	RC20GF754J	Resistor, Fixed, Comp. R230
1	10	RC20GF822J	R224
1	9	RC20GF473K	R229
1	8	RC20GF156J	R222
1	7	RC20GF133J	R223
1	6	RC20GF125J	R225
1	5	RC20GF100K	Resistor, Fixed, Comp. R226
3	4	CN108C1003J	Capacitor, Fixed, Mylar C269, 270, 272
3	3	A-1076	Coil, RF L239, 240, 241
2	2	TE-108-11	Standoff, Rivet Type
30	1	TE-127-2	Terminal, Miniature

MATERIAL		THE TECHNICAL MATERIEL CORP. MAMARONECK, NEW YORK	
1/16 THK.	STOCK SIZE	TERMINAL BOARD (ALL STAGES)	
Linen Base			
Phenolic			
LE	16 5/23/58	DRAWN	FINAL APPROVAL
TYPE & TEMPER	HEAT TREAT. SPEC.	CHECKED	
FINISH & SPEC. NO.		ELEC. DES. APP.	MECH. DES. APP.

ISSUE	ITEM	CHANGED FROM	DATE	CH. NO.	DRAFTS	CHECKER	ENG. APP.
D	1	ITEM 2 WAS TE-108-1 "A" HOLES WERE .078 D	7/1/58	404	16	[Signature]	[Signature]
C	1	ITEM 11 WAS RC20GF824J (R230)	6/4/58	3	16	[Signature]	[Signature]
B	1	ITEM 8 WAS RC20GF135K STAMPING ADDED	6/3/58	2	16	[Signature]	[Signature]
A	1	ITEM 14 WAS RC20GF105K CABLE MOVED ONE WIRE DELETED (to 14)	5/27/58	1	16	[Signature]	[Signature]

TOLERANCES		SCALE:	
DEC. DIM. ±		MAXIMUM ALLOWABLE TOLERANCES HAVE BEEN DETERMINED AND ANY DEVIATIONS WILL BE CAUSE FOR REJECTION.	
FRAC. DIM. ± 1/64		REMOVE ALL BURRS AND SHARP EDGES	
ANGULAR DIM. ±			

REQ. PER UNIT	MODEL	PROJECT NO.	ASS'Y. NO.	DATE
1	RFA-1	PAL-350		5/23/58
USED ON				