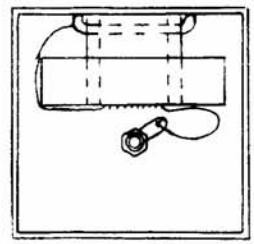
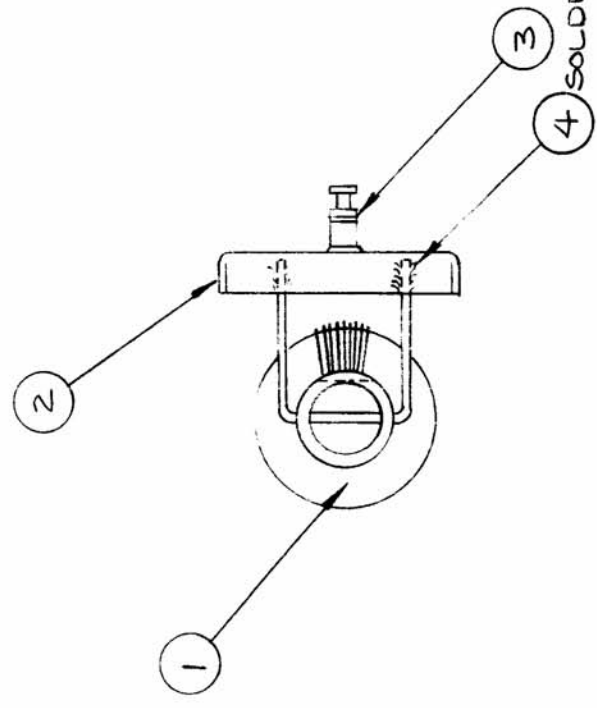


A 10091

ISSUE	ITEM	CHANGED FROM	DATE	CN. NO.	DRAFTS	CHECKER	ENG. APP.	REQ.	ITEM	PART NO.	DESCRIPTION	SYMBOL
A		REDRAWN & REV. TO CEMN	MAY 5/67	228	RPL	plz		1	1	A10092	CORE, ASS'Y.	
								1	2	MS10151	TERMINAL, LID	
								1	3	TE126	TURRET	
								AR	4	BS100	SOLDER SOFT	



4 SOLDER STABILIZER TO LID AS SHOWN

MODEL		PROJECT NO.		DATE		STOCK SIZE		WEIGHT PER PC.	
A10073		10/5/56		10/5/56					
USED ON				TMC (Canada) LIMITED OTTAWA ONTARIO					
IF IT IS FOUND DESIRABLE TO CHANGE ANY TOLERANCE OR OTHER DETAIL SPECIFIED ON THIS DRAWING NOTIFY THE PURCHASER PROMPTLY.				TERMINAL LID, SUB ASSY.					
SCALE NTS.				LM					
DIMENSIONS IN INCHES UNLESS OTHERWISE SPECIFIED				DRAWN					
DRILL, PUNCH, COMMERCIAL STOCK SIZES AND MANUFACTURERS TOLERANCES ARE NOT INCLUDED.				ELEC. DES. APP. MECH. DES. APP.					
TOLERANCES				CHECKED					
DEC. DIM. ±				FINAL APPROVAL					
FRAC. DIM. ±				R.W.Y.					
ANGULAR DIM. ±				A10091					
ALL OTHERS				A					