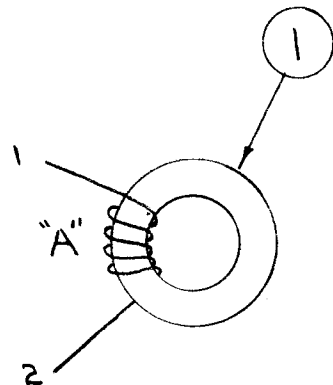


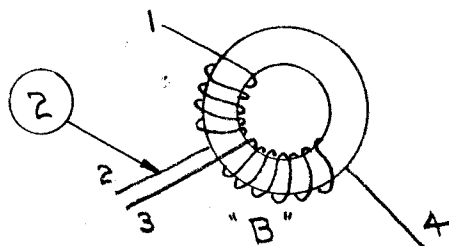
IF IT IS FOUND DESIRABLE TO CHANGE ANY TOLERANCE OR OTHER DETAIL SPECIFIED ON THIS DRAWING NOTIFY THE PURCHASER PROMPTLY.

MAXIMUM ALLOWABLE TOLERANCES HAVE BEEN DETERMINED AND DEVIATIONS WILL BE CAUSE FOR REJECTION. REMOVE ALL BURRS AND SHARP EDGES

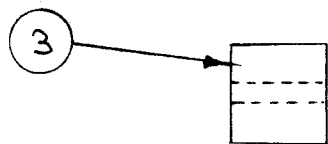
A-159 B



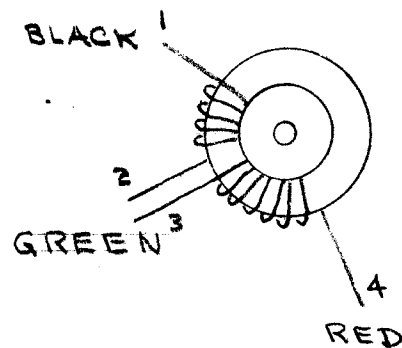
STEP 1  
WRAP ON 5 TURNS OF #30 COTENAMEL WIRE AS SHOWN. ALLOW 1/2 INCH EACH END FOR LEADS.



STEP 2.  
WRAP ON 8 TURNS OF #30 COTENAMEL WIRE AS SHOWN. ALLOW 1/2 INCH EACH END FOR LEADS STRIP LEAD TO WITHIN 3/4" OF CORE.



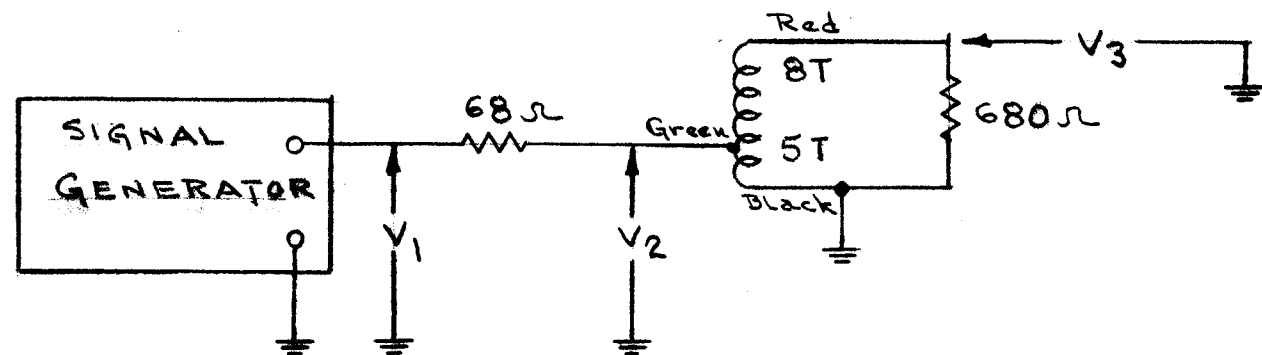
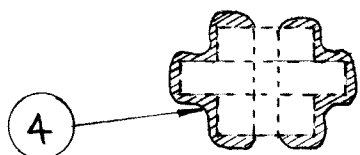
STEP 3.  
WRAP CORE IN ONE OR MORE TURNS OF PAPER TO INSURE TIGHT FIT IN CENTER OF WIRE WOUND TOROID.



STEP 4  
COLOR BEGINNING OF "A" WINDING BLACK AND ENDING GREEN. COLOR BEGINNING OF "B" WINDING GREEN AND ENDING RED. DIP ENTIRE UNIT EXCEPT LEADS IN INSULEX AND BAKE AT 170°C. FOR 30 MINUTES. ALLOW TO COOL TO ROOM TEMPERATURE.

BLACK - GROUND  
GREEN - LINE  
RED - CATHODE

STEP 5  
DIP UNIT EXCEPT LEADS IN POTTING COMPOUND (GL-100) UNTIL ADEQUATELY COVERED.



f Mc	RF VOLTS		
	V <sub>1</sub>	V <sub>2</sub>	V <sub>3</sub>
3.5	1.0	.56	1.4

HEWLETT PACKARD VTVM

**NOT TO BE RELEASED  
W/O AUTHORIZATION**

AUTH. BY: .....

DATE: .....

X	5	GL-104	INSULEX	
X	4	GL-100	POTTING COMPOUND.	
1	3	PX-121	CORE	
X	2	WI-102-9	WIRE, #30 COTENAMEL	
1	1	CI-104	TOROID.	
REQ.	ITEM	PART NO.	DESCRIPTION	SYMBOL
//			THE TECHNICAL MATERIEL CORP.	
STOCK SIZE			MAMARONECK. NEW YORK	
//			TRANSFORMER, 3.5 MC	
MATERIAL			TR-020	
WEIGHT PER PC.			C.D.D. 9-24-52	
TYPE & TEMPER			ARB	
//			DRAWN	
HEAT TREAT. SPEC.			ELEC. DES. APP.	
//			MECH. DES. APP.	
FINISH & SPEC. NO.			CHECKED	
			FINAL APPROVAL	

ISSUE	ITEM	CHANGED FROM	DATE	CN. NO.	DRAFTS	CHECKER	ENG. APP.
B	2	TEST DATA ADDED	7/16/53	2			
A	1	NUMBER CHANGED	6-16	1			

TOLERANCES		SCALE:
ALL OTHERS	DEC. DIM. ± FRAC. DIM. ± ANGULAR DIM. ±	DRILL, PUNCH, COMMERCIAL STOCK SIZES AND MANUFACTURERS TOLERANCES ARE NOT INCLUDED.

DMK-4	140	A-155	9-24-52
MODEL	PROJECT NO.	ASSY. NO.	DATE

USED ON

A-159