

THE CONTENTS OF THIS DRAWING ARE THE EXCLUSIVE PROPERTY OF THE TECHNICAL MATERIEL CORP. ITS UNAUTHORIZED USE OR REPRODUCTION IN WHOLE OR IN PART IS STRICTLY FORBIDDEN.

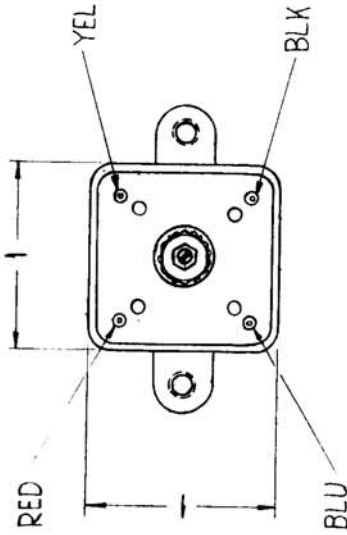
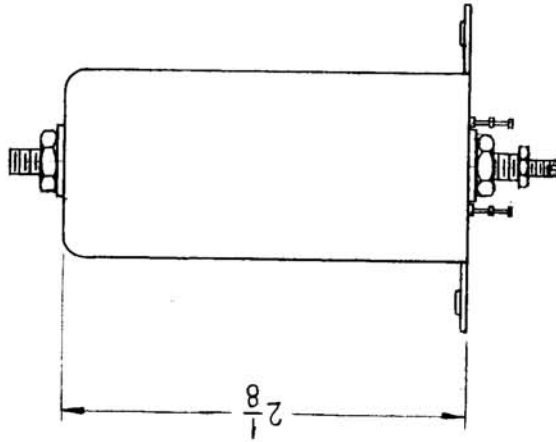
REQ. PER UNIT

MODEL

USED ON

ASS'Y. NO.

7-26-62



MODEL REQ.	FUNCTION	OPER. FREQ.	SYMBOL
HFA-1 2		250 KC	T7001,7005

ELECTRICAL SPEC.

PRIMARY

IND = 300 μ h \pm 10%

Q = 55 OR GREATER

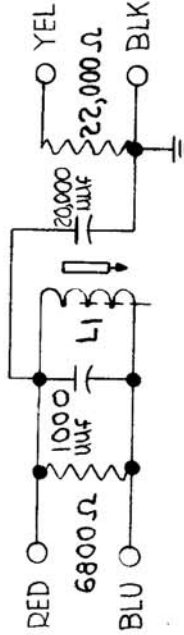
TEST FREQ. = 790 KC

MECHANICAL SPEC.

CASE ~ ALUMINUM

CASE FINISH ~ CLEAR LACQUER

TERM. BOARD ~ PHENOLIC



— SCHEMATIC DIAGRAM —

REQ. ITEM	PART NO.	FAICOLA	DESCRIPTION	SYMBOL
			THE TECHNICAL MATERIEL CORP. MAMARONECK, NEW YORK	
			COIL, RF TUNED	
			MATERIAL	
			TYPE & TEMPER	
			HEAT TREAT. SPEC.	
			FINISH & SPEC. NO.	
			DATE	
			CH. NO.	
			DRAFTS	
			CHECKER	
			ENG. APP.	
			SCALE: 2A-2501	
			UNLESS OTHERWISE SPECIFIED: DIMENSIONS ARE IN INCHES TOLERANCES ON FRAC. \pm 1/64 DEC. \pm .005 ANGLES \pm 1/20	
			MAXIMUM ALLOWABLE TOLERANCES HAVE BEEN DETERMINED AND ANY DEVIATIONS WILL BE CAUSE FOR REJECTION. REMOVE ALL BURRS AND SHARP EDGES	
			S. Gianfilippo	BP
			DRAWN	FINAL APPROVAL
			G. R. Fajola	AC-151
			ELEC. DES. APP.	MECH. DES. APP.