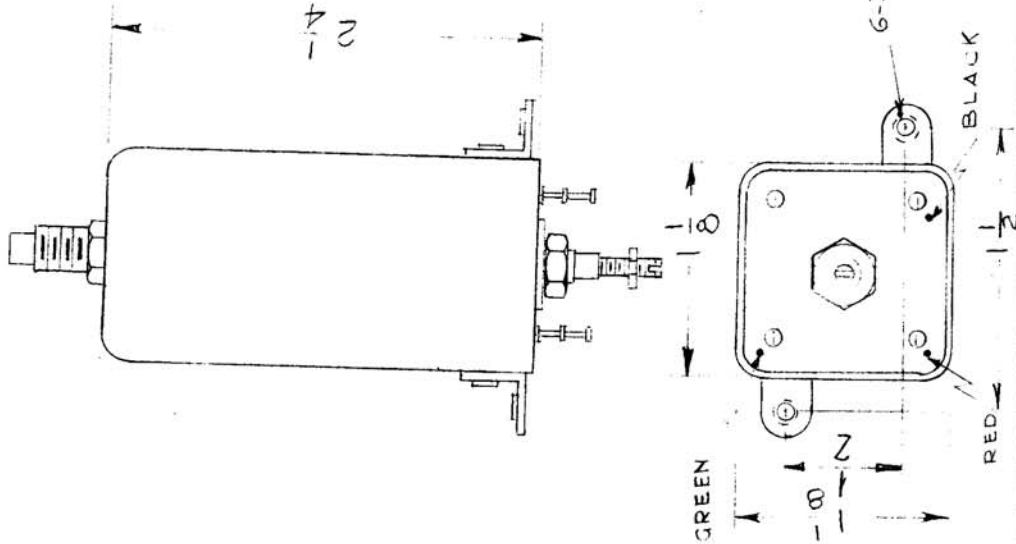
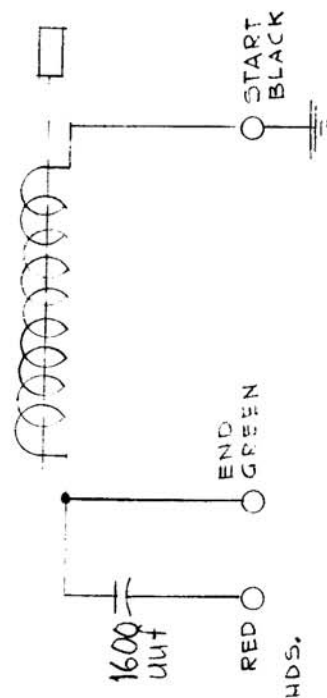


REQ. PER UNIT	1	USED ON	AC-120	B
MODEL	CMO	ASSY. NO.	AX-224	
		DATE	10-5-1960	



L = 15 uH
 Q = 75 or Greater
 Test Fr. = 2.5 Mc



MODEL	REQ	LOCATION	OPER	SYM
CMO	1	V304 PLATE COIL	2-4Mc	T301
FUNCTION				

REQ. ITEM	PART NO.	DESCRIPTION	SYMBOL
B 1	L WAS 18 uH	THE TECHNICAL MATERIEL CORP. MAMARONECK, NEW YORK	
A 1	L WAS 19 uH	COIL, RF, TUNED	
ISSUE ITEM	CHANGED FROM		
TOLERANCES			
DEC. DIM. ±			
FRAC. DIM. ±			
ANGULAR DIM. ±			
DATE	CH. NO.	DRAFTS	CHECKER
3-1-61	4250	M.A.F.	J.P.B.
12-14-60	3716	M.A.F.	J.P.B.
SCALE: 2 A - 1870		ELEC. DES. APP. MECH. DES. APP.	
MAXIMUM ALLOWABLE TOLERANCES HAVE BEEN DETERMINED AND ANY DEVIATIONS WILL BE CAUSE FOR REJECTION. REMOVE ALL BURRS AND SHARP EDGES			
TYPE & TEMPER	HEATTREAT. SPEC.	CHECKED	FINAL APPROVAL
			AC-120
FINISH & SPEC. NO.			B