

AC-107 A

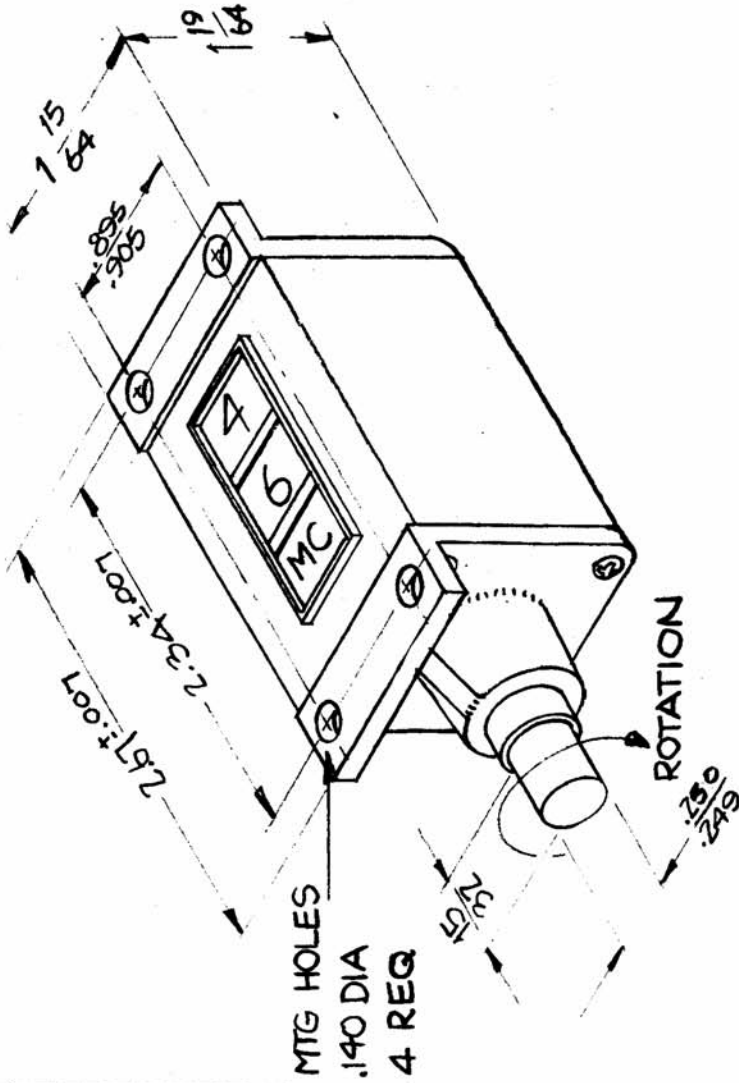
USED ON
DATE 5-27-60

MODEL
GPT-10K

~ SPECIFICATIONS ~

PLAIN BEARING TYPE
NON RESET
READINGS ~
POSITION 1~4-6 MC
2~6-8 MC
3~8-11 MC
4~11-15 MC
5~15-19 MC
6~19-24 MC
7~24-28 MC

BLACK FIGURES
WHITE WHEELS



REQ. ITEM	PART NO.	DESCRIPTION	SYMBOL
		THE TECHNICAL MATERIEL CORP. MAMARONECK, NEW YORK	
	STOCK SIZE	COUNTER, ANTENNA TUNER	
	MATERIAL		
	TYPE & TEMPER		
	HEAT TREAT. SPEC.		
	FINISH & SPEC. NO.		
ISSUE ITEM	CHANGED FROM	DATE	CH. NO.
A	A 3116-8 WAS 4A-1797	3-22-67	18008
		DATE	CH. NO.
		3-22-67	18008
		CHECKER	ENG. APP.
		L.A.K.	J.K. [Signature]
TOLERANCES			
SCALE: A 3116-8			
MAXIMUM ALLOWABLE TOLERANCES HAVE BEEN DETERMINED AND ANY DEVIATIONS WILL BE CAUSE FOR REJECTION. REMOVE ALL BURRS AND SHARP EDGES			
DEC. DIM. ±			
FRAC. DIM. ±			
ANGULAR DIM. ±			
ELEC. DES. APP.			FINAL APPROVAL
ELEC. DES. APP.			AC-107 A