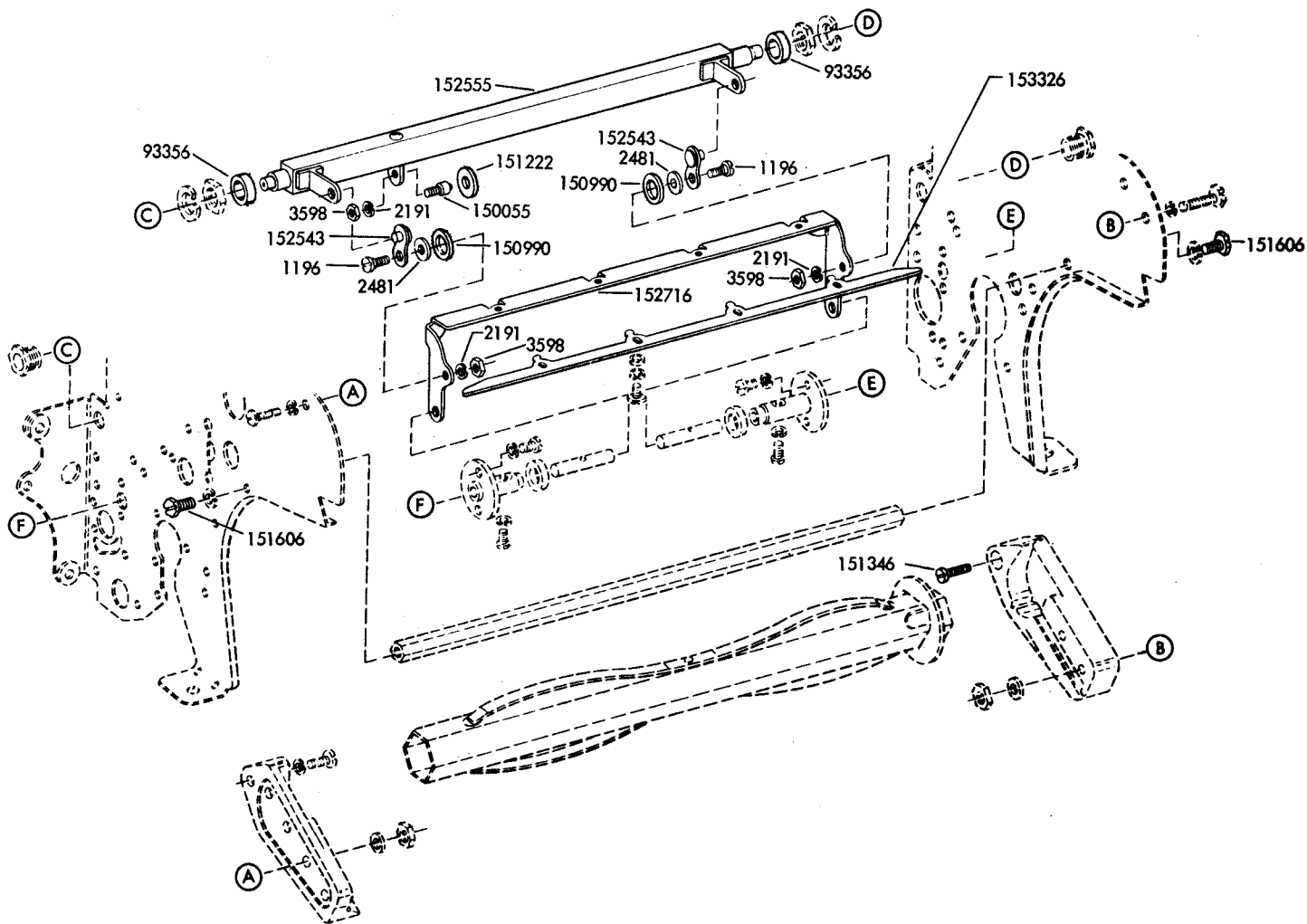


Mark II Printer

Early Design Parts

FIGURE 3. LEFT AND RIGHT SIDE FRAME MECHANISM

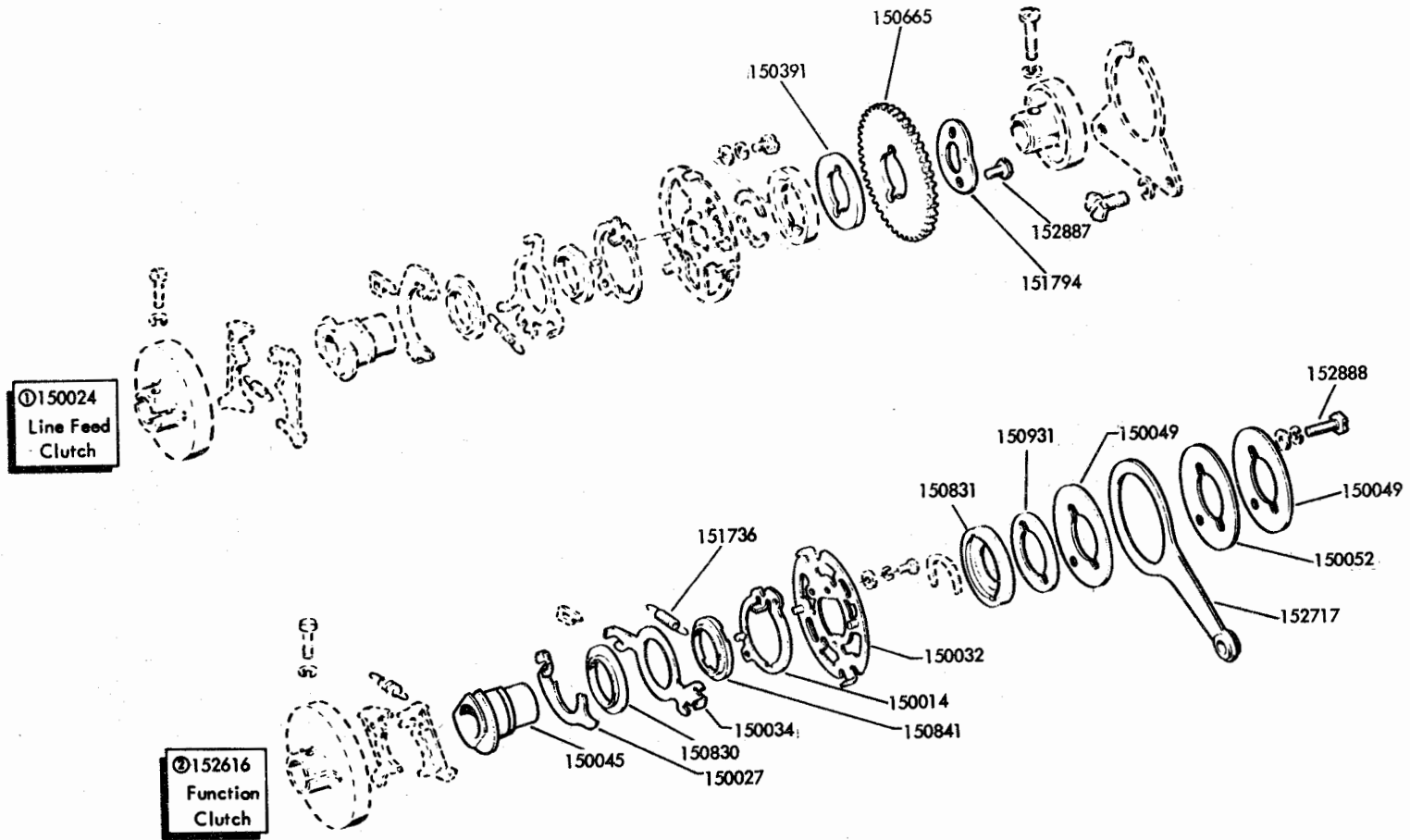
FIGURE 15. PAPER SPINDLE AND RESET BAIL MECHANISM

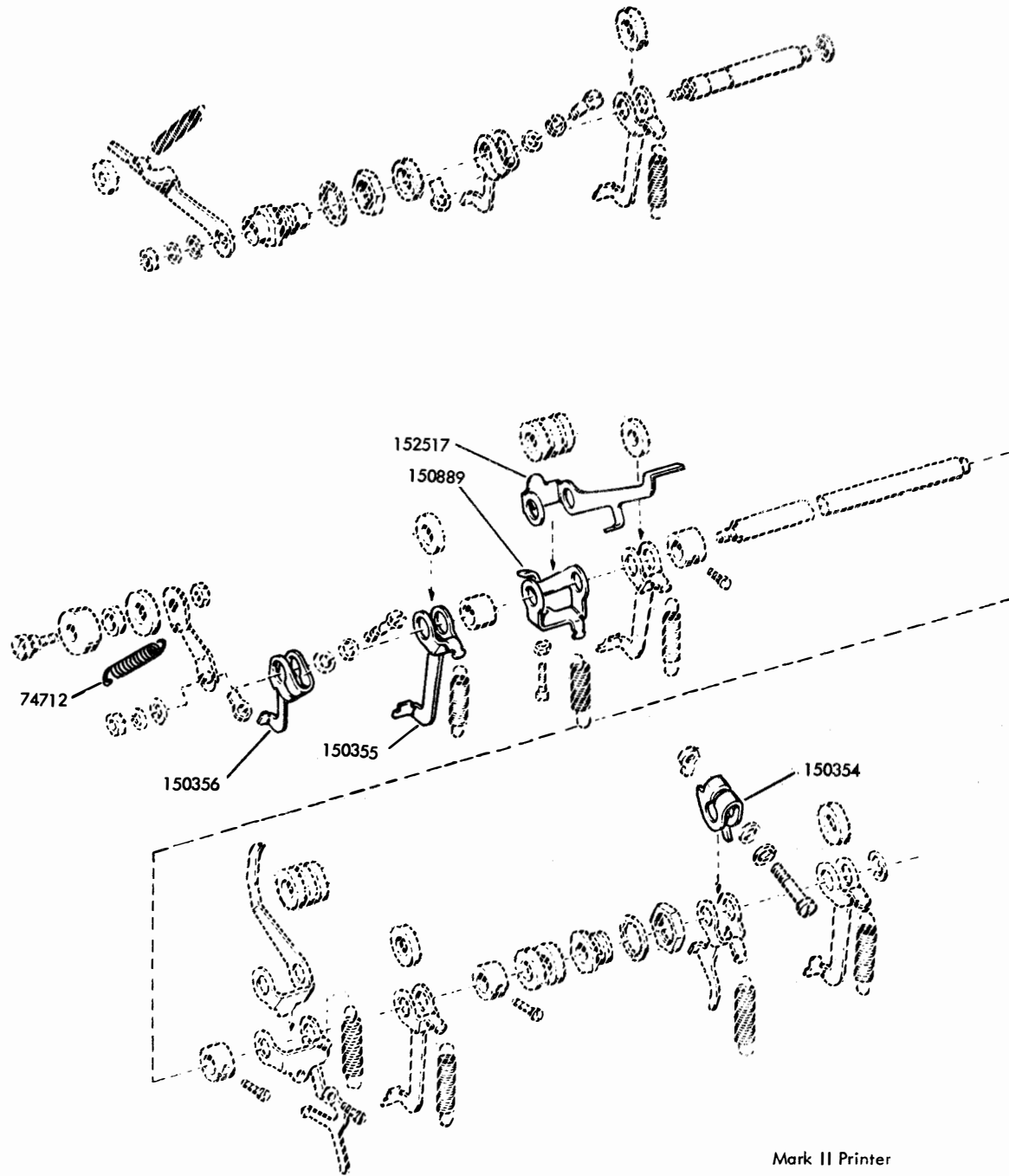


Mark II Printer

Early Design Parts

FIGURE 25. LINE FEED CLUTCH AND FUNCTION CLUTCH MECHANISM



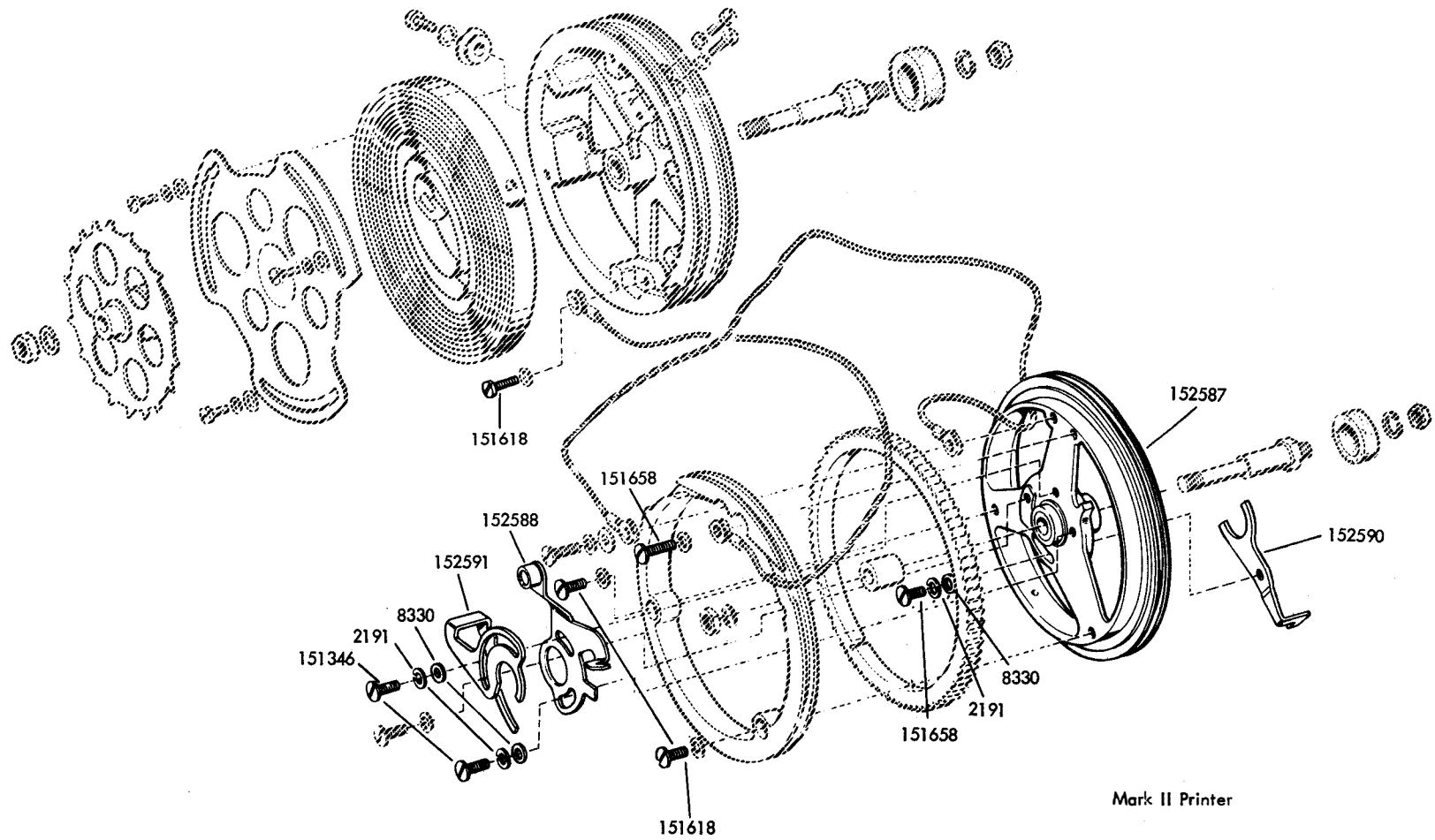


Mark II Printer

Early Design Parts

FIGURE 27. TRIP SHAFT MECHANISM

FIGURE 29. CARRIAGE RETURN AND SPACING DRUM MECHANISM



Mark II Printer

Early Design Parts