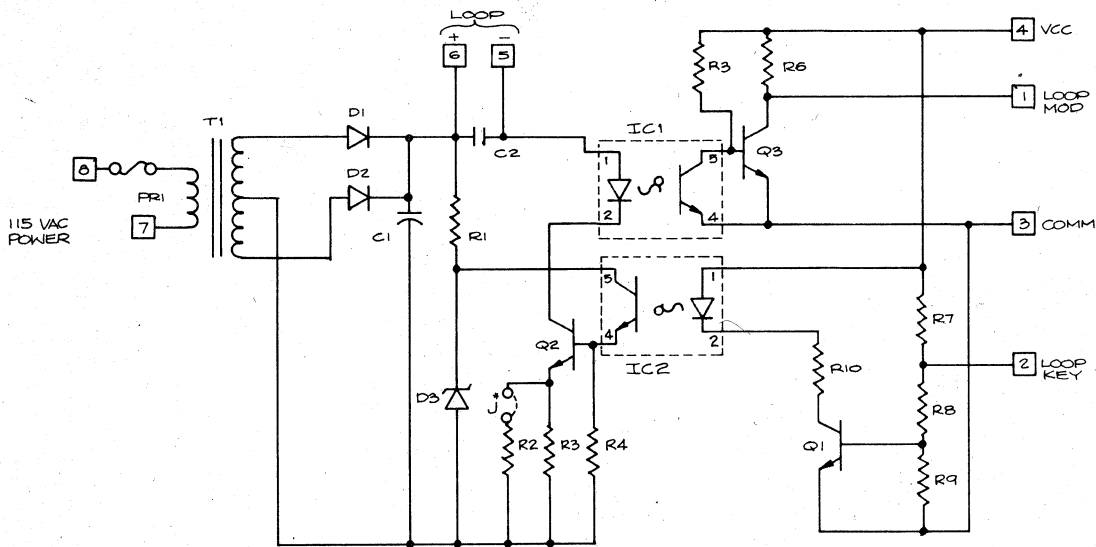


LTR	DESCRIPTION	DATE	APPROVED
APPROVALS	DATE	UNLESS OTHERWISE SPECIFIED DIMENSIONS ARE IN INCHES TOLERANCE ON	FLESHER Corp. TOPEKA, KANSAS
DRAWN <i>Black</i>	1/19/82	FRAC. $\pm \frac{1}{8}$ DEC. $\pm .005$	
CHECKED		ANGLES $\pm \frac{1}{2}^\circ$	AFSK ENCODER
		MATERIAL	ECC 339
		FINISH	SCALE SHEET 1 OF



- R1 27K 1W
- R2 100 1/2W
- R3 220 1/2W
- R4 DK
- R5 10K
- R6 4.7K
- R7 4.7K
- R8 2.7K
- R9 2.7K
- R10 470
- C1 47µF 160V
- C2 .01µF 1000V
- D1 IN4003
- D2 IN4003
- D3 5.1VZ
- Q1 2N4123
- Q2 MJE 340
- Q3 2N4123
- IC1 4N28
- IC2 4N28

* JUMPER FOR 60 mA LOOP

LTR	DESCRIPTION	DATE	APPROVED
APPROVALS	DATE	UNLESS OTHERWISE SPECIFIED DIMENSIONS ARE IN INCHES TOLERANCE ON	FLESHER Corp. TOPEKA, KANSAS
DRAWN <i>Black</i>	4/2/82	FRAC. $\pm \frac{1}{8}$ DEC. $\pm .005$	
CHECKED		ANGLES $\pm \frac{1}{2}^\circ$	LOOP SUPPLY WIRING DIAGRAM
		MATERIAL	ECC 375 A
		FINISH	SCALE SHEET OF