

T.O. 31R1-2GRA96-4

**TECHNICAL MANUAL**  
**ILLUSTRATED PARTS BREAKDOWN**

**COMMUNICATION CONTROL GROUP**  
**AN/GRA-96**

AF19(628)-524

F41608-69-D-0005

DISTRIBUTION STATEMENT - Distribution authorized to U.S. Government agencies and their contractors for Administrative and Operational Use (23 November 1992). Other requests for this document shall be referred to San Antonio ALC/TILT, 485 Quentin Roosevelt Rd, Kelly AFB TX 78241-6425.

WARNING - This document contains technical data whose export is restricted by the Arms Export Control Act (Title 22, U.S.C., Sec 2751, et seq.) or the Export Administrative Act of 1979, as amended, Title 50, U.S.C., app. 2401 et seq. Violators of these export laws are subject to severe criminal penalties.

HANDLING AND DESTRUCTION NOTICE - Handle in compliance with distribution statement and destroy by any method that will prevent disclosure of the contents or reconstruction of the document.

THIS PUBLICATION REPLACES T.O. 31R1-2GRA96-4, DATED 1 OCTOBER 1967.

PUBLISHED UNDER AUTHORITY OF THE SECRETARY OF THE AIR FORCE

Reproduction for nonmilitary use of the information or illustrations contained in this publication is not permitted without specific approval of the issuing service. The policy for use of Classified Publications is established for the Air Force in AFR 205-1.

Technical orders are normally distributed promptly after printing. Date(s) shown on the title page (lower right corner) are for identification only. These are not distribution dates. Processing time sometimes causes distribution to only appear to have been delayed.

# LIST OF EFFECTIVE PAGES

**INSERT LATEST CHANGED PAGES. DESTROY SUPERSEDED PAGES.**

**NOTE:** The portion of the text affected by the changes is indicated by a vertical line in the outer margins of the page. Changes to illustrations are indicated by miniature pointing hands. Changes to wiring diagrams are indicated by shaded areas.

Dates of issue for original and changed pages are:

Original . . . . 0 . . . . 1 Dec 69

**TOTAL NUMBER OF PAGES IN THIS PUBLICATION IS 108 CONSISTING OF THE FOLLOWING:**

<i>Page No.</i>	<i>Change No.</i>	<i>Page No.</i>	<i>Change No.</i>	<i>Page No.</i>	<i>Change No.</i>
Title . . . . .	0				
A . . . . .	0				
i . . . . .	0				
ii Blank . . . . .	0				
1-1 - 1-9 . . . . .	0				
1-10 Blank . . . . .	0				
2-i - 2-8 . . . . .	0				
3-1 - 3-6 . . . . .	0				
4-1 - 4-79 . . . . .	0				
4-80 Blank . . . . .	0				

Upon receipt of the second and subsequent changes to this technical order, librarians shall ascertain that all previous changes have been received and incorporated. Action should be taken promptly if the publication is incomplete.

\*The asterisk indicates pages changed, added, or deleted by the current change.

**ADDITIONAL COPIES OF THIS PUBLICATION MAY BE OBTAINED BY USAF ACTIVITIES IN ACCORDANCE WITH T.O. 00-5-2.**

**USAF**

**ALPHABETICAL INDEX**

<u>Nomenclature</u>	<u>Figure</u>	<u>Page</u>
C		
Communication Control Group AN/GRA-96 . . . . .	1	4-1
Communication Control Group AN/GRA-102 . . . . .	20	4-59
Control-Indicator C-6643/FLR-9(V) . . . . .	5	4-11
Control-Indicator C-6646/FLR-9(V) . . . . .	12	4-31
Control-Indicator Group OK-64/GRA-96 . . . . .	9	4-20
Control-Power Supply Group AN/GRA-100 . . . . .	15	4-41
Control-Power Supply Group AN/GRA-101 . . . . .	10	4-24
D		
Digital Data Router MX-6898/FLR-9(V) . . . . .	24	4-75
Digital to Digital Converter CV-1831/FLR-9(V) . . . . .	6	4-14
Direct Reading Clock TD-702/FLR-9(V) . . . . .	4	4-10
Direction Finder Group OA-8320/GRA-96 . . . . .	3	4-4
Direction Finding Accessory Console . . . . .	13	4-34
Direction Finding Servicer Console . . . . .	2	4-2
Distribution Box J-2550/FLR-9(V) . . . . .	18	4-48
E		
Electronic Equipment Air Cooler HD-591/FLR-9(V) . . . . .	8	4-18
I		
Indicator Panel SB-2142/FLR-9(V) . . . . .	11	4-29
Indicator Panel SB-2311/FLR-9(V) . . . . .	16	4-46
Interconnecting Box J-2150/FLR-9(V) . . . . .	17	4-47
Interconnecting Box J-2549/FLR-9(V) . . . . .	22	4-68
P		
Power Distribution Panel SB-2447/FLR-9(V) . . . . .	19	4-51
Power Supply Set AN/GRA-99 . . . . .	14	4-36
T		
Teletypewriter Message Decoder KY-571/FLR-9(V) and Teletypewriter Message Transmitter T-988/FLR-9(V) . . . . .	21	4-64
Teletypewriter Message Generator SG-624/FLR-9(V) . . . . .	23	4-70
Time Totalizing Meter ME-271/FLR-9(V) . . . . .	7	4-17





## SECTION I INTRODUCTION

### 1-1. GENERAL.

1-2. This illustrated parts breakdown (IPB) lists and illustrates the replaceable components, assemblies, and detail parts in the Communications Control Group AN/GRA-96, manufactured by ITT Federal Laboratories, Nutley, N. J. This illustrated parts breakdown is intended for use in requisitioning, storing, and identifying parts. Maintenance procedures for these items are covered in the following technical manuals:

- T. O. 31S6-2FLR9-2-1 & -2, Service, Printed-Circuit Card
- T. O. 31S6-2FLR9-2-4, Supplement, Service, Printed-Circuit Card
- T. O. 31S6-2FLR9-82 Power Supply PP-3931/FLR-9
- T. O. 31S6-2FLR9-182 Power Supply PP-3931A/FLR-9
- T. O. 31R2-2FRR68-2 Service Manual
- T. O. 31R2-2FRR68-3 Circuit Diagrams
- T. O. 31R2-2FRR68-4 I. P. B.
- T. O. 31R2-2FRR68-6WC1 P. M. Workcards
- T. O. 31R1-2GRA-102 Bearing Return and BRO Interface
- T. O. 31R1-2GRA96-2 Service, Communications Control Group AN/GRA-96
- T. O. 31R1-2GRA96-12 Amplifier-Detection

1-3. This manual is divided into four sections:

- Section I - Introduction
- Section II - Numerical Index
- Section III - Reference Designation Index
- Section IV - Group Assembly Parts List

### 1-4. NUMERICAL INDEX.

1-5. The Numerical Index, Section II, is an index of all part numbers in the Group Assembly Parts List, Section IV.

### 1-6. MFR PART NUMBER COLUMN.

1-7. This column contains each part number listed in the group assembly parts list, arranged in alphabetical and numerical order. A part which does not have a part number is likewise listed in alphanumeric order by its identifying name, with modifiers as required to identify the part, and the noun name treated

as a part number. Part number arrangement in this column is from left to right, one letter or number at a time, until the order of numerical listing is determined. The part numbers are arranged by the extreme left hand character in the following order of precedence:

- a. Letters A through Z
- b. Numerals 0 through 9

The second and succeeding characters from left to right determine the subsequent order of precedence of a part number, as follows:

- a. Space (blank column)
- b. Diagonal (Slant)
- c. Point (period)
- d. Dash (-)
- e. Letters A through Z

f. Numerals 0 through 9 (alphabetical O's are considered zeros), except where an identifying noun is used as the part number.

### 1-8. FIG. AND INDEX NO. COLUMN.

1-9. The data in this column identifies and locates the parts in the Group Assembly Parts List, Section IV. The number preceding the dash is the figure number and the number following the dash is the index number. Where no index number is listed, the part number appears in the figure shown but is not indexed. Each occurrence of a part number in Section IV is indicated in this column; for government standard and contractor standard parts, the figure and index number of only the first occurrence in Section IV is listed.

### 1-10. SOURCE CODE DEFINITIONS.

#### 1-11. CODE "P" - PARTS UNDER INVENTORY STOCK CONTROL.

a. Code "P" identifies parts which may be requisitioned and installed by any level of maintenance consistent with the Command's authorized scope of maintenance. Code "P" is applied to parts on which usage is anticipated or known. Restricted (emergency) service manufacture of code "P" items is considered practical but may be accomplished only after confirmation of non-availability from supply sources.

b. Code "P1" identifies parts which may be requisitioned and installed by any maintenance level consistent with the Command's authorized scope of maintenance. Code "P1" is applied to parts on

which usage is anticipated or known, and which service manufacture is considered impractical.

c. Code "P2" identifies insurance-type spare parts which can be installed by any AF activity consistent with the Command's authorized scope of maintenance. This code is applied to such parts which are basically structural items of very limited nature; require special tools, templates, and/or jigs and are very difficult, impractical, or uneconomical to manufacture by AF activities. These items are not subject to periodic replacement or wearout but may require infrequent replacement as a result of accidents or other unexpected occurrences. Delayed procurement items, as defined in AFLCM 400-1, are included under this code.

**1-12. CODE "M" - MANUFACTURE, PARTS NOT PROCURED.**

a. Code "M" identifies parts, the manufacture and installation of which is within the capabilities of field maintenance activities; and to which all of the following conditions apply:

- (1) Procurement is not justified because of low usage or peculiar storage and installation factors. Needs are to be met by local manufacture only as required.
- (2) Their manufacture does not require tools, equipment, or skills not normally authorized at field maintenance level.
- (3) Does not require test equipment not normally authorized at field maintenance level.
- (4) Does not require material not normally available in Air Force inventory.

b. Code "M1" identifies parts which can be manufactured at activities authorized depot-level maintenance facilities and to which all of the following conditions apply:

- (1) Procurement is not justified because of low usage or peculiar storage and installation factors. The need of base activities are to be met by requisitioning from the geographical AMA, LSM AMA, or AMA/AFD.
- (2) Their manufacture is beyond capabilities of field maintenance activities as outlined above.
- (3) Their manufacture does not require tools or equipment not normally authorized at all AMA's.

**1-13. CODE "A" - ASSEMBLE, ASSEMBLY NOT PROCURED.** Code "A" identifies items capable of being assembled at any level of maintenance and is applied to assemblies of two or more parts, the majority of which are purchased and/or service manufactured.

**1-14. CODE "X" - PARTS CONSIDERED IMPRACTICAL FOR SERVICE MANUFACTURE OR PROCUREMENT AND FOR WHICH NO USAGE IS ANTICIPATED.**

a. Code "X" is applied to main structural members or similar parts, which, if required, would

suggest extensive repair. The need for a part or parts coded "X" (wing spars, center section structure, etc.) should normally result in a recommendation to retire the article from service.

b. Code "X1" identifies parts application at any level of maintenance consistent with the Command's authorized scope of maintenance and for which it is more feasible to obtain the higher assembly; for example, an integral detail part such as a welded segment inseparable from its assembly; a part machined in a matched set; or a part of any assembly which, if required, would suggest extensive reconditioning of such assembly. In some cases, code "X1" may be used to indicate an integral detail part of an assembly which has no anticipated usage and as an assembly was source-coded "M" or "M1".

c. Code "X2" identifies parts applicable to any level of maintenance consistent with the Command's authorized scope of maintenance, for which there is no anticipated usage, and which are impractical for service manufacture. This type of item will not be stocked. Such parts shall be obtained from reclamation or, if not available from this source, requisitioned through normal supply channels together with supporting justification for one-time procurement and immediate use. Repeated requests shall justify a change to a code "P1" or "P2", as applicable, if considered economical to procure and store such parts.

**1-15. CODE "U" - PARTS NOT PROCURED, MANUFACTURED, OR STOCKED.** Code "U" is applied to installation drawings diagrams, instruction sheets, field service drawing numbers and parts not otherwise of supply significance, including obsolete parts, which cannot be procured or service manufactured.

**1-16. MAINTENANCE REPAIR LEVEL CODE DEFINITIONS.**

**1-17. CODE "S" - NO REPAIR.** Code "S" identifies items which are non repairable and have no reclamation value. When these items fail they will be disposed of at user level as condemned material.

**1-18. CODE "B" - NO REPAIR; RECONDITION.** Code "B" identifies assemblies or parts that will be reconditioned at the user level by adjusting, cleaning, soldering broken connections, etc. If these items cannot be returned to serviceable condition by such means they will be disposed of at user level as condemned material. No repair parts or tools are specially procured for maintenance of these items.

**1-19. CODE "F" - FIELD LEVEL MAINTENANCE.** Code "F" identifies items which will be repaired by the field level maintenance activities. Normal servicing will be done by organizational level maintenance. Selected parts, tools, and technical order data are procured and provided to applicable field level maintenance activities for repair of these items. No specialized repair activity (SRA) is established for these items. If they cannot be returned to serviceable condition by the field level

maintenance activity with the parts and tools provided they will be disposed of as condemned material. If repair of "F" coded items cannot be accomplished due to inavailability of authorized parts, tools, or other capability, the applicable SSM/IM will be so advised with request for disposition instructions. "F" coded critical items, regardless of condition, will be returned to supply for disposition instructions from the applicable SSM/IM.

1-20. **CODE "D" - LIMITED FIELD REPAIR; DEPOT OVERHAUL.** Code "D" identifies items which a limited degree of repair can be accomplished by field level maintenance activities. Normal servicing will be done at organization level. SRA is established for overhaul of these items. A range of repair parts, tools, and technical order data consistent with the capability or repair are procured and provided to applicable field maintenance activities. Because of the design characteristics and complexity of repair, the degree of repair which is authorized on these items at field maintenance level is necessarily determined by the degree of technical skills required and the cost of special tools, special test equipment, spare parts, and the predicted frequency of failure generation. If these items cannot be returned to serviceable condition with authorized parts and tools they will be returned to supply for shipment to the designated SRA.

1-21. **CODE "DM" - LIMITED FIELD REPAIR; MOBILE DEPOT OVERHAUL.** Code "DM" identifies items to which all conditions of code "D" apply except that repair beyond field capability will be done by the Mobile Depot Activity (MDA). If the MDA cannot repair these items, they will determine whether these items should be condemned or sent to SRA.

1-22. **CODE "L" - DEPOT LEVEL MAINTENANCE.** Code "L" identifies items that will be repaired only at designated SRA. Repair parts and tools for repair are procured and provided only to these authorized activities. Required functional checkout and bench check equipment may be provided to applicable organizational and field level maintenance activities for accomplishing external adjustment or calibration and for verifying serviceability of these items. If they are found unserviceable they will be turned in to supply for shipment to the SRA.

1-23. **CODE "LM" - DEPOT LEVEL MAINTENANCE ONLY; MOBILE DEPOT ACTIVITY.** Code "LM" identifies items to which all conditions of Code "L" apply except that repair will be accomplished by MDA. If MDA cannot repair these items, disposition instructions will be requested from the IM.

1-24. **EXPENDABILITY - RECOVERABILITY - REPAIRABILITY - COST CODE DEFINITIONS.**

1-25. The definitions of expendability-recoverability-repairability-cost (ERRC) codes are given in table 1-1.

## 1-26. REFERENCE DESIGNATION INDEX.

1-27. The Reference Designation Index, Section III, provides all the reference designations assigned to parts and assemblies in the equipment.

1-28. **REFERENCE DESIGNATION COLUMN.** This column lists the electrical designations in alphanumeric order.

1-29. **FIG. AND INDEX NO. COLUMN.** The data in this column identifies and locates the parts in the Group Assembly Parts List, Section IV. The number preceding the dash is the figure number and the number following the dash is the index number.

1-30. **MFR PART NUMBER COLUMN.** This column lists the appropriate part number that appears in the group assembly parts list.

## 1-31. GROUP ASSEMBLY PARTS LIST.

1-32. The Group Assembly Parts List, Section IV, provides illustrations of the equipment with accompanying parts lists. Index numbers on the parts lists correspond to those on the illustrations. A part can be identified if its part number, description, or physical configuration is known.

1-33. **FIG. AND INDEX NO. COLUMN.** This column lists the assigned figure and index number of each part or assembly in the list and its associated illustration.

1-34. **MFR PART NUMBER COLUMN.** This column lists the contractor's part numbers, except that a government standard or vendor's part number is listed when applicable. (Refer to paragraph 1-42 for explanation of contractor's part numbers.) If the item has not been assigned a part number, the words "NO NUMBER" appear in this column. If the item has not been assigned a part number but is procurable through normal commercial sources, the word "COML" appears in this column. An asterisk (\*) following the part number indicates that the item is a matched part. The symbol (□) following the part number indicates that the item is an alternate for the listed part which immediately precedes it.

1-35. **DESCRIPTION COLUMN.** This column provides the name and identifying description for the listed assemblies or parts. The phrase "/Per 07397 DWG SPEC/" following the nomenclature of a part indicates Sylvania Electronic Products Inc drawing number which identifies the part. The indention arrangement of this column under the number "1" through "9" is used to show the relationship of a part or assembly to another part or assembly. Attaching parts are listed immediately following the assembly or part they attach. Attaching parts

Table 1-1. Expendability-Recoverability-Repairability-Cost (ERRC) Codes

ERRC Designator	ERRC Code	Expendable*	Repairable	Condemnation Level**	Category (Management)
XD1	C	Yes	Yes	Depot	Hi-Valu
XD2	T	Yes	Yes	Depot	XD items not selected for Hi-Valu
XF2	X	Yes	Yes	Field	Unit price \$100 or more
XF3	P	Yes	Yes	Field	Unit price less than \$100
XB2	V	Yes	No	User	See para 4c, Part II
XB3	N	Yes	No	User	Nonrecoverable (field or depot)
ND2	S	No	Yes	Depot	AF equipment management system
NF2	U	No	Yes	Field	AF equipment management system

are preceded by the words "ATTACHING PARTS". The symbol (---\*---) is used to denote the end of the attaching parts and the continuation of the listing. The notation L indicates reference to the following:

T. O. 31S6-2FLR9-2-1  
 T. O. 31S6-2FLR9-2-2  
 T. O. 31S6-2FLR9-2-4

1-36. MFR CODE COLUMN. This column lists the manufacturer's code number as assigned in Cataloging Handbook H4-1, Federal Supply Code for Manufacturers (Refer to paragraph 1-39 for a listing of vendor's names and addresses.) This column is blank when the listed part is a government standard part, a standard commercial part, or part manufactured by Sylvania Electronic Systems.

1-37. UNITS PER ASSY COLUMN. This column lists the quantity of the listed part or assembly used at the given location. The abbreviation "REF" in this column indicates that the assembly or subassembly has been listed previously in the Group Assembly Parts List.

1-38. USABLE ON-CODE COLUMN. This column indicates the usability of parts with specific assemblies or subassemblies; such assemblies are always first-line listings. Where the USABLE

ON-CODE column is blank, the part is applicable to all articles covered by this breakdown.

1-39. MANUFACTURERS' CODES. The manufacturers' codes used in this manual are listed below:

CODE	MANUFACTURER'S NAME AND ADDRESS
00629	EBY Sales Co. of New York 148-05 Archer Ave. Jamaica, N. Y. 11458
00779	AMP Inc P.O. Box 3608 Harrisburg, Pa. 17105
01526	General Electric Co. Specialty Control Dept. Box 812 Waynesboro, Va. 22980
02005	Haydon Switch & Instrument, Inc. 1500 Meriden Rd. Waterbury, Conn. 06720
02660	Amphenol Corp 2801 S. 25th Ave Broadview, Chicago, Ill. 60153
03045	Filter Division Nytronics Inc. Alpha, N.J. 08866
03296	Nylon Molding Corp. Springfield, N.J. 07081
03497	General Electric Co Switchgear Dept. Philadelphia, Pa. 19042

CODE	MANUFACTURER'S NAME AND ADDRESS	CODE	MANUFACTURER'S NAME AND ADDRESS
03522	McLean Engineering Laboratories 70 Washington Rd. Princeton Junction, N.J. 08550	71286	Camloc Fastener Corp 22 Spring Valley Rd Paramus, N. Y. 07652
03743	Appleton Electric Co 1713 W. Wellington Ave Chicago, Ill. 60657	71400	Bussman Mfg Division of McGraw-Edison Co 2538 W University St St. Louis, Mo. 63107
04732	Filtron Co Inc Western Division 10023 Jefferson Culver City, Calif. 90230	71468	ITT Cannon Electric Los Angeles, Calif. 90031
05574	Viking Industries Inc. 21001 Nordhoff Chatsworth, Calif. 91311	72619	Dialight Corp Brooklyn, N. Y. 11237
05704	Alac Inc Glendale, Calif. 91203	73168	Fenwal Inc 400 Main St Ashland, Mass. 01721
06383	Panduit Corp 17301 Ridgeland Tinley Park, Ill. 60477	73949	Guardian Electric Mfg Co Chicago, Ill. 60607
06666	General Devices Co. Inc. Indianapolis, Ind. 46219	74193	Heinemann Electric Co 2612 Brunswick Pike Trenton, N.J. 08638
07065	Line Electric Co. US Hwy 287 Parsippany, N.J.	74545	Harvey Hubbel Inc Bridgeport, Conn. 06602
09106	Neuman M M Corp 79 Clifton Ave Marblehead, Mass. 01945	75382	Kulka Electric Corp Mt. Vernon, N. Y. 10550
11139	Deutsch Co, Electronic Components Division Banning, Calif. 92220	77820	Bendix Corp. The Electrical Components Div. Sherman Ave. Sydney, N. Y. 13838
11897	Plastiglide Mfg. Corp. 1757-59 Stanford Santa Monica, Calif. 90404	78229	Steel City Div. Midland-Ross Corp. Pittsburgh, Pa. 15233
14288	Advance Screw Products Inc 5158 W. Homer Ave Chicago, Ill. 60639	78799	Triangle Conduit & Cable Co. Inc. 6900 Jersey Ave. New Brunswick, N.J. 08902
36381	General Precision Industries Ltd Montreal, Quebec, Canada	79725	The Wiremold Co Wiremold Pl Hartford, Conn. 06110
59730	Thomas and Betts Co Butler St Elizabeth, N.J. 07207	80252	Faraday Inc. Div. of Gray Mfg. Co. Tecumseh, Mich.
70309	Allied Control Co Inc 2 East End Ave New York, N. Y. 10021	82415	Price Electric Corp Frederick, Md. 21701
71279	Cambridge Thermionic Corp 430 Concord Ave Cambridge, Mass. 02138	82872	Roanwell Corp 180 Varick St New York, N. Y. 10014
		82877	Rotron Mfg Co Inc 7-9 Hasbrouck Lane Woodstock, N. Y.

CODE	MANUFACTURER'S NAME AND ADDRESS
------	---------------------------------

83508	Grant Pulley and Hardware Co High St West Nyack, N.Y. 10994
83665	Wood John Co. Bennett Pump Div. Muskegon, Mich.
84971	TA Mfg Corp 4607 Alger St Los Angeles, Calif. 90039
85005	Ingersoll Products Div. Inc. of Borg-Warner 1000 W. 120th St. Chicago, Ill. 60643
87034	Marco-Oak Industries Co. 207 S. Helena Anaheim, Calif. 92805
88223	Jaymar Terminal Boards Inc. 25 - 27 Brutus St. Weedsport, N.Y. 13166
88245	Litton Industries USECO Division 13536 Saticoy St Van Nuys, Calif. 91402
88769	Wiltek Inc. Wilton, Conn. 06897
91929	Honeywell Inc. Micro Switch Div. Freeport, Ill. 61032
95238	Continental Connector Corp. 34-63 56th St. Woodside, N.Y.
95987	Weckesser Co. 4444 W. Irving Park Rd. Chicago, Ill. 60641
96182	Master Specialties Co. 1640 Monrovia Costa Mesa, Calif. 92627
96195	Unistrut Corp 4118 S Wayne St Wayne, Mich. 48184
97564	Clare-Pendar Inc. P.O. 785 Post Falls, Idaho 83854
97924	General Electric Co. Instrument Dept. 40 Federal St. West Lynn, Mass. 01905
98291	Seaelectro Corp 225 Hoyt St Mamaroneck, N.Y. 10544

1-40. EXPLANATION OF NONSTANDARD SYMBOLS AND ABBREVIATIONS.

1-41. The nonstandard symbols and abbreviations used in this Illustrated Parts Breakdown are listed below.

Symbol or Abbreviation	Explanation
≡	Alternate part
*	Matched set
---*---	End of attaching parts
GAPL	Group Assembly Parts List
MDA	Mobile Depot Activity
SRA	Specialized Repair Activity

1-42. CONTRACTOR'S PART NUMBERS.

1-43. In general, contractor's parts are identified by a simple numerical system in which each part is assigned a drawing number.

a. A two-digit numerical prefix identifies the type of product covered by the Sylvania drawing number, as follows:

Prefix	Explanation
00 thru 09	Sylvania manufactured equipment, packaging and packing supplies.
11 thru 59	Electronic Products
70 thru 79	Mechanical products and devices
80 thru 89	General parts and products.
90 thru 99	Raw modification.

b. The drawing number proper (after the two-digit prefix) identifies the plant location within Sylvania Electronic Systems, which is responsible for a particular drawing as follows:

Drawing Number	Location
100 thru 29999	Sylvania Electronic Systems - Central, Buffalo, New York
30000 thru 39999	Sylvania Electronic Systems - East, Waltham, Mass.
90000 thru 90999	Sylvania Electronic Systems - Central, Buffalo, New York
100000 thru 149999	Sylvania Electronic Systems - Central, Buffalo, New York

<u>Drawing Number</u>	<u>Location</u>
180000 thru 190999	Sylvania Electronic Systems - East, Waltham, Mass.
198000 thru 200000	Sylvania Electronic Systems - East, Waltham, Mass.
300000 thru 314999	Sylvania Electronic Systems - East, Waltham, Mass.
317000 thru 350999	Sylvania Electronic Systems - East, Waltham, Mass.
354000 thru 399999	Sylvania Electronic Systems - West, Mountain View, Calif.
450000 thru 499999	Sylvania Electronic Systems - East, Waltham, Mass.
700000 thru 849999	Sylvania Electronic Systems, - West, Mountain View, Calif.
900000 thru 999999	Sylvania Electronic Products - Central Buffalo, New York

1-44. HOW TO USE THE ILLUSTRATED PARTS BREAKDOWN.

**1-45 WHEN THE PART NUMBER IS KNOWN**

a. When the part number is known, refer to Section II, Numerical Index. Locate the part number and

note the figure and index number assigned to the part number.

b. Turn to the figure number indicated and locate the index number referenced in the Numerical Index.

c. If a pictorial representation of the part, or its location is desired, refer to the same index number on the accompanying illustration.

d. When the reference designation is known, refer to Section III, Reference Designation Index. Locate the reference designation and note the figure and index number and the part number assigned.

e. Turn to the figure indicated and locate the index number referenced in the Reference Designation Index.

f. If a pictorial representation of the part, or its location is desired, refer to the same index number on the accompanying illustration.

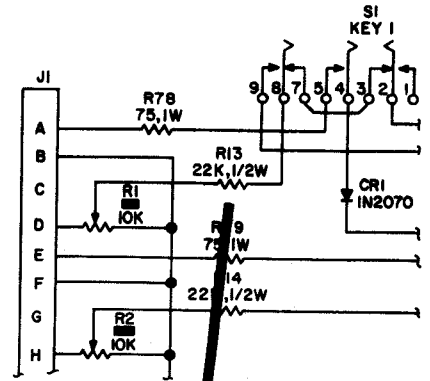
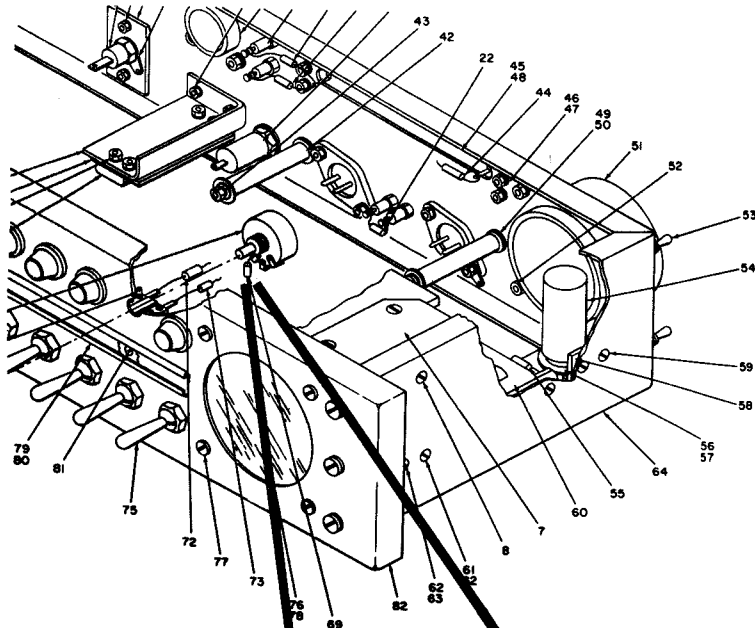
**1-46. WHEN THE PART NUMBER IS NOT KNOWN**

a. Determine the function and application of the part required. Turn to the Alphabetical Index and select the title of the assembly in which the part or unit belongs. Note the illustration page number.

b. Turn to the page indicated and locate the desired part on the illustration.

c. From the illustration, obtain the index number assigned to the part desired. Refer to the accompanying description for specific information regarding the part.





T.O. 31W2-2FSC-42

**SECTION I  
NUMERICAL INDEX**

FIG. AND INDEX NO.	QTY PER ART.	SMR CODE
7-7-10	6	PINS
7-7-17	6	PINS
7-7-4	6	PINS
7-7-8	7	PINS
7-5-22	28	X2
7-5-12	3	X2
7-9-1	21	
7-3-15		
7-8-12		
7-9-5		
7-10-20	12	PINS
7-4-41	1	X2
7-9-24	1	X2
7-9-25		
7-3-40	20	
7-8-36		
7-10-44	7	PINS
7-5-37	2	A
7-11-22	2	PINS
7-11-19	23	
7-2-3		
7-10-41		
7-3-10		

Chapter 7 Section III  
Reference Designation Index

T.O. 31W2-2FSC6

**SECTION III  
REFERENCE DESIGNATION INDEX**

MFR PART NUMBER	FIG. AND INDEX NO.	QTY PER ART.	SMR CODE
MS35043-119	7-4-69	156	PINS
MS35043-56	7-11-8	2	PINS
MS35043-75	7-4-44	12	PINS
MS35043-81	7-7-6	6	PINS
MS35043-97	7-7-5	12	PINS
MS35044-74	7-4-72	132	
MS35223-12	7-4-26	72	
MS35223-13	7-4-57	28	
MS35223-14	7-6-4	54	
MS35223-15	7-4-32	132	
MS35223-18	7-11-26	8	PINS
MS35223-27	7-6-7	40	
MS35223-28	7-4-18	280	
MS35223-29	7-11-21	16	
MS35223-30	7-4-5	96	
MS35223-31	7-3-23	423	
MS35223-4	7-4-30	24	
MS35223-42	7-4-65	72	
MS35223-43	7-11-12	4	
MS35223-44	7-6-14	32	
MS35223-45	7-4-14	72	
MS35223-54	7-4-43	24	X2
	7-9-4	93	

How to Use the Illustrated Parts Breakdown





How to assemble?



How to find the description?

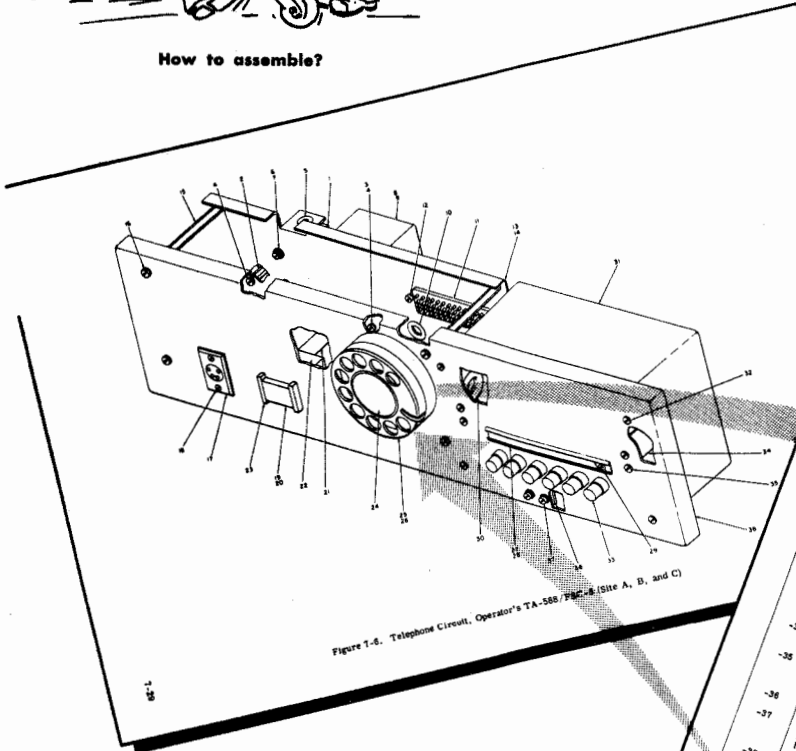


Figure T-6. Telephone Circuit, Operator's TA-588/PSC-8 (Site A, B, and C)

T. O. 31W2-2PSC-42

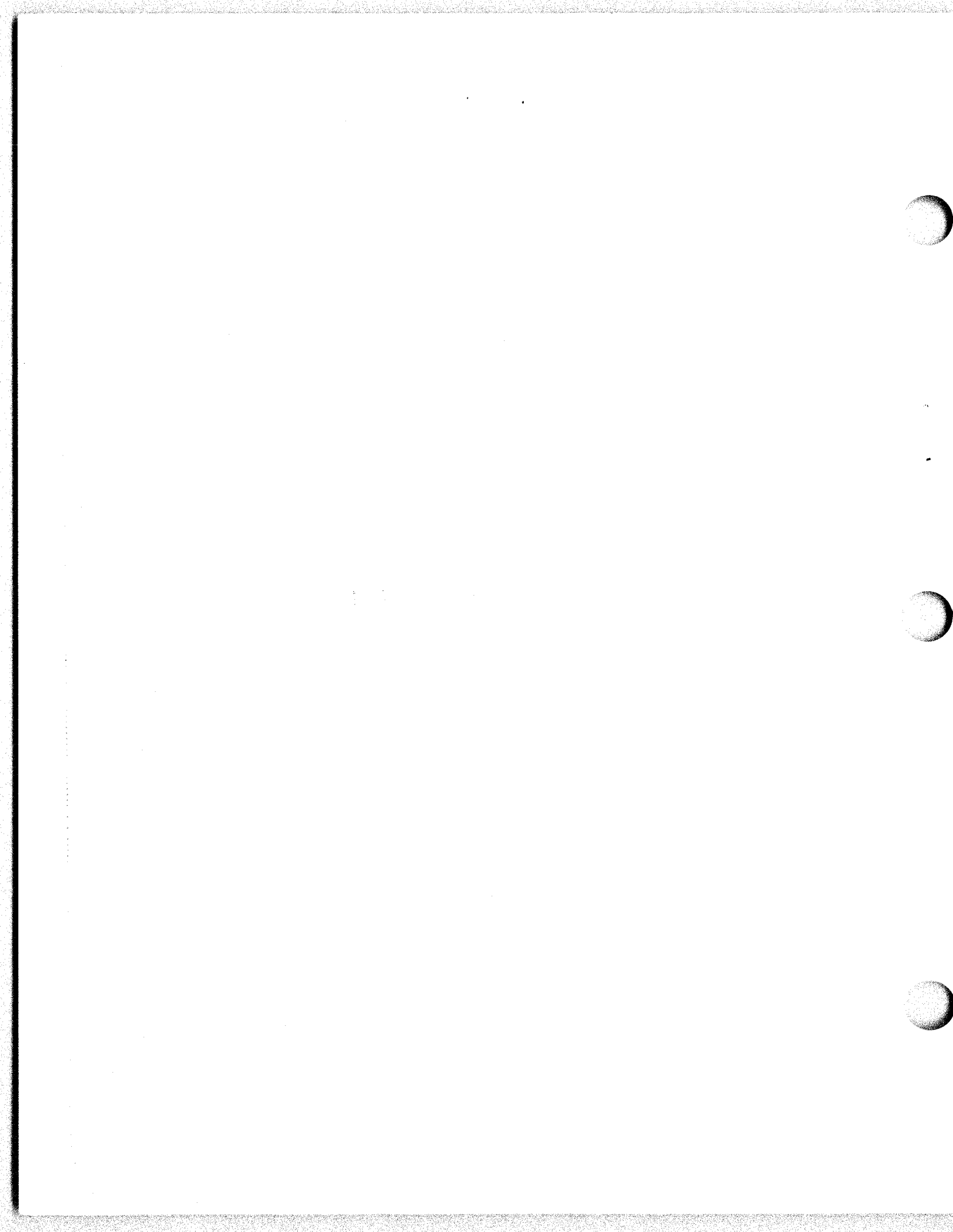
Chapter 7, Section IV  
Group Assembly Parts List

T. O. 31W2-2PSC-42

FIG. AND INDEX NO.	MFR PART NO.	DESCRIPTION	MFR CODE	UNITS PER ASSEMBLY	USE PER CC.
7-6-21	2D33	1 2 3 4 5 6 7 8 9			
-22	2C3				
-23	2B1				
-24	P288106				
-25	6P				
-26	MSS523-14	SWITCH ASSEMBLY (19785 Spec)			
-27	MSS530-40	OPERATOR'S DIAL (1078-441D42-3)			
-28	1078-402DN-3	OPERATOR'S CONTROL DIAL (19785 Spec)			
-29	MSS530-10	OPERATOR'S MOUNTING DIAL (19785 Spec)			
-30	MSS5490-14	OPERATOR'S CONTROL DIAL (1078-441D42-3)			
-31	1078-441D1-1	OPERATOR'S CONTROL DIAL (19785 Spec)			
-32	MSS4697-10	OPERATOR'S CONTROL DIAL (19785 Spec)			
-34	1078-441D41-1	OPERATOR'S CONTROL DIAL (19785 Spec)			
-35	1078-441D42-3	OPERATOR'S CONTROL DIAL (19785 Spec)			
-36	MSS3223-27	OPERATOR'S CONTROL DIAL (19785 Spec)			
-37	MSS7185-5	OPERATOR'S CONTROL DIAL (19785 Spec)			
-38	MSS5328-41	OPERATOR'S CONTROL DIAL (19785 Spec)			
	1078-441D2-1	OPERATOR'S CONTROL DIAL (19785 Spec)			



How to find a part number?



## SECTION II NUMERICAL INDEX

MFR PART NUMBER	FIG. AND INDEX NO.	QTY PER ART.	SMR CODE	EQUIP. SPARES LEVEL
A-S8646	3 - 5	1	P1	XF
AD-28A61-373	9 - 23	1	X2	
AN3064-20	18 - 11	2	P1	NS
AN3066-20	18 -	2	P1	NS
AN3420-20	18 -	1	P1	NS
AN960B416	3 - 13	12	P1	NS
B1616BCB01	5 -	4	P1	NS
B1616PCB01	12 -	58	P1	NS
	21 -			
	22 -			
	23 -			
	24 -			
B1616SCD01	18 -	262	P1	NS
	22 -			
B2020PBA01	5 -	536	P1	NS
	21 -			
	23 -			
	24 -			
B2020SBD01	12 -	317	P1	NS
	21 -			
	23 -			
	24 -			
D-A10292	3 - 6	1	P1	XF
DP2	24 -	1	P1	NS
D140CC	19 -	4	P1	NS
D167CC	6 -	15	P1	NS
	21 -			
	23 -			
	24 -			
D4-167CC	11 -	4	P1	NS
D6-140CC	20 -	8	P1	NS
D6-167CC	5 -	4	P1	NS
	12 -			
F-A8251	3 - 3	1	P1	XF
F-A8734	3 - 7	1	P1	XF
F-A8946	3 - 22	1	P1	XF
F-A8947	3 - 18	1	P1	XF
FA7022	5 - 20	9	P1	NS
	6 - 13			
	12 - 11			
	21 - 33			
	23 - 33			
	24 - 27			
FHL17G1	16 - 3	2	P1	NS
G51HB	21 - 42	30	P1	NS
	23 - 47			
	24 - 38			
G54554	19 - 44	9	P1	NS
HC11BLH	21 - 4	3	P1	NS
	23 - 4			
	24 - 4			
HC11BRH	21 - 5	3	P1	NS
	23 - 5			
	24 - 5			

MFR PART NUMBER	FIG. AND INDEX NO.	QTY PER ART.	SMR CODE	EQUIP. SPARES LEVEL
HKT	6 - 4	2	P1	NS
HT 1/2C	9 -			
HT 1/4C	9 - 17	AR	P1	NS
KPTM07E12-10PF120	21 -			
	23 -			
KPTM07E14-19PF120	23 -			
KPTM07E14-19SF120	23 -			
	24 -			
KPTM07E14-55SF120	18 -			
KPTM07E18-11PF120	5 -			
	6 -			
	12 -			
	21 -			
	22 -			
	23 -			
	24 -			
KPTM07E18-11PZF120	22 -			
KPTM07E18-11SF120	18 -			
	22 -			
KPTM07E18-11SWF120	18 -			
KPTM07E18-11SXF120	18 -			
KPTM07E18-11SYF120	18 -			
KPTM07E18-11SZF120	18 -			
KPTM07E18-32PF120	21 -			
	23 -			
KPTM07E18-32PWF120	21 -			
	23 -			
KPTM07E18-32PXF120	23 -			
KPTM07E18-32PYF120	23 -			
KPTM07E18-32PZF120	23 -			
KPTM07E18-32SF120	6 -			
	12 -			
	21 -			
	23 -			
	24 -			
KPTM07E20-16SF120	18 -			
KPTM07E22-55PF120	5 -			
	6 -			
	21 -			
	23 -			
	24 -			
KPTM07E22-55PWF120	24 -			
KPTM07E22-55PXF120	24 -			
KPTM07E22-55PYF120	24 -			
KPTM07E22-55SF120	6 -			
	21 -			
	23 -			
	24 -			
KPTM07E22-55SWF120	24 -			
KSR-285	10 - 5	1		
LSC2	3 - 40	60	P1	NS
	10 - 33			
	14 - 26			

MFR PART NUMBER	FIG. AND INDEX NO.	QTY PER ART.	SMR CODE	EQUIP. SPARES LEVEL
	15 - 25			
	20 - 31			
	22 - 7			
MCHJ3000	16 - 7	1	P1 NS	
MDL1	8 - 11	1	P1 NS	
MHJL012D12.0VDC	19 - 28	3	P1 NS	
	23 - 30			
MHJL012D26.5VDC	19 - 29	2	P1 NS	
MIGB4	8 - 6	1	X2	
MS15795-802	16 - 2	2		
MS15795-803	4 -	382		
MS15795-805	3 -	486		
MS15795-807	3 -	353		
MS15795-808	3 -	598		
MS15795-810	2 -	172		
MS15795-812	2 -	40		
MS15795-814	19 -	2		
MS15795-818	20 -	3		
MS15795-910	2 -	8		
MS16106-1	3 - 34	5		
MS21044C04	23 -	212		
MS21044C06	20 -	42		
MS21044C08	23 -	24		
MS21318-20	21 -	6		
MS21318-7	5 -	8		
MS21318-8	3 -	80		
MS21919DG12	3 - 27	4		
MS21919DG14	20 - 19	1		
MS24525-22	19 - 3	10		
MS25024-2	19 - 20	4		
MS25036-1	11 - 6	3		
MS25082-4	19 -	2		
MS25237-327	5 - 7	42		
MS25251-16	5 -	189		
MS25251-16P	12 -	6		
MS25251-20	5 -	12		
MS25281-1	12 - 9	2		
MS25281-10	6 - 11	11		
MS25281-2	6 - 9	3		
MS25281-3	11 - 8	1		
MS25281-4	12 - 10	1		
MS25281-5	20 - 28	5		
MS25281-6	6 - 10	4		
MS25281-7	19 - 60	4		
MS25281-8	20 - 27	5		
MS25281-9	5 - 19	1		
MS25311-120	6 -	2		
MS3057-20A	18 -	2		
MS3192-16A	6 -	11		
MS3192A20A	6 -	55		
MS3193A20A	6 -	87		
MS35058-22	19 - 5	5		
MS35059-22	19 - 4	3		
MS35059-23	20 - 24	4		
MS35275-97	3 - 62	12		
MS35307-306	2 -	10		
MS35307-307	3 -	127		
MS35307-311	9 -	4		
MS35307-314	3 -	36		
MS35307-338	9 -	4		
MS35307-344	2 - 3	18		
MS35309-303	2 -	8		
MD35335-57	6 -	2		
MS35335-58	6 -	2		
MS35338-101	2 -	8		
MS35338-134	11 -	4		
MS35338-135	7 -	31		
MS35338-136	3 -	235		
MS35338-137	3 -	231		
MS35338-138	3 -	342		
MS35338-139	2 -	179		
MS35338-140	2 - 5	22		
MS35489-104	20 - 26	4		
MS35644-64	5 -	14		
MS35649-204	8 -	10		
MS35649-224	11 -	4		
MS35649-244	7 -	29		
MS35649-264	3 - 36	192		
MS35649-284	5 -	41		
MS35649-37	7 -	1		
MS35650-304	3 -	164		
MS51957-12	5 -	8		
MS51957-13	12 -	4		

MFR PART NUMBER	FIG. AND INDEX NO.	QTY PER ART.	SMR CODE	EQUIP. SPARES LEVEL
MS51957-14	6 -	24		
MS51957-16	19 -	4		
MS51957-18	6 -	287		
MS51957-19	4 -	38		
MS51957-26	18 -	6		
MS51957-27	3 -	10		
MS51957-28	6 -	70		
MS51957-29	5 -	111		
MS51957-30	22 -	22		
MS51957-31	4 -	36		
MS51957-32	19 -	20		
MS51957-33	3 - 35	8		
MS51957-4	11 -	4		
MS51957-44	18 -	4		
MS51957-45	15 -	35		
MS51957-46	5 -	36		
MS51957-47	22 -	10		
MS51957-48	3 -	237		
MS51957-49	22 -	24		
MS51957-62	12 -	4		
MS51957-63	6 - 7	8		
MS51957-64	18 -	4		
MS51957-98	3 -	2		
MS51958-60	9 -	26		
MS51958-61	3 -	43		
MS51958-62	9 -	76		
MS51958-63	3 -	58		
MS51958-64	3 -	359		
MS51959-15	19 -	11		
MS51959-17	19 -	15		
MS51959-18	6 -	4		
MS51959-28	6 -	2		
MS51959-29	17 -	10		
MS51959-30	5 -	22		
MS51959-31	3 -	168		
MS51959-35	14 -	12		
MS51959-46	3 -	144		
MS51959-47	11 -	2		
MS51959-48	22 -	4		
MS51960-65	3 -	4		
MS51960-66	3 -	16		
MS51960-69	3 -	28		
MS51971-2	2 - 6	19		
MS51971-3	19 - 34	2		
MS90078-27	6 - 3	2		
MS90078-7	16 - 2	2		
M1183	8 - 14	1	X1	
M2EB412AR28	9 - 8	1	PI NS	
M2612-7	8 - 4	1	X2	
NAS1021C04	4 -	4		
NAS1021C06	4 -	4		
NAS1022C06	11 -	11		
NAS1022C08	11 -	6		
NAS43DD1-48	19 - 61	4		
NAS43DD3-12	19 -	6		
NAS620-4	6 -	4		
NAS620C2	11 -	2		
NAS679C04M	6 -	22		
NAS679C06M	6 -	13		
NAS679X04	12 -	109		
NAS679X06	12 -	119		
NAS679X08	18 -	111		
NAS679X3	19 -	18		
NW10-4374	3 -	270		
	9 -			
	10 -			
	14 -			
	15 -			
	20 -			
PAM12SSKMG6-1.4-50DC	19 - 12	2	PI NS	
PAM12SSKMG6-3-50DC	19 - 11	5	PI NS	
PT07SE12-10P	21-37	2	PI NS	
	23-44			
PT07SE14-19P	23-45	1	PI NS	
PT07SE14-19S	23-37	2	PI NS	
	24-29			
PT07SE14-5S	18 - 7	2	PI NS	
PT07SE18-11P	5 - 24	7	PI NS	
	6 - 20			
	12 - 15			
	21 - 34			
	22 - 10			
	23 - 34			

MFR PART NUMBER	FIG. AND INDEX NO.	QTY PER ART.	SMR CODE	EQUIP. SPARES LEVEL
PT07SE18-11PZ	24 - 28			
PT07SE18-11S	22 - 9	1	PI NS	
	18 - 6	13	PI NS	
	22 - 11			
PT07SE18-11SW	18 - 5	2	PI NS	
PT07SE18-11SX	18 - 3	2	PI NS	
PT07SE18-11SY	18 - 4	1	PI NS	
PT07SE18-11SZ	18 - 8	2	PI NS	
PT07SE18-32P	21 - 39	2	PI NS	
	23 - 38			
PT07SE18-32PW	21 - 40	2	PI NS	
	23 - 40			
PT07SE18-32PX	23 - 41	1	PI NS	
PT07SE18-32PY	23 - 42	1	PI NS	
PT07SE18-32PZ	23 - 43	1	PI NS	
PT07SE18-32S	6 - 22	5	PI NS	
	12 - 16			
	21 - 36			
	23 - 36			
	24 - 32			
PT07SE20-16S	18 - 2	2	PI NS	
PT07SE22-55P	5 - 25	5	PI NS	
	6 - 19			
	21 - 38			
	23 - 39			
	24 - 33			
PT07SE22-55PW	24 - 34	1	PI NS	
PT07SE22-55PX	24 - 35	1	PI NS	
PT07SE22-55PY	24 - 36	1	PI NS	
PT07SE22-55S	6 - 21	4	PI NS	
	21 - 35			
	23 - 35			
	24 - 30			
PT07SE22-55SW	24 - 31	1	PI NS	
P4006-0832	3 -	179	PI NS	
	10 -			
	14 -			
	15 -			
	20 -			
P4006-1420	3 -	167	PI NS	
	9 -			
	10 -			
	14 -			
	15 -			
	20 -			
P4007	9 -	4	PI NS	
P6006-1420	15 -	2	PI NS	
RC07GF102J	5 - 6A	5	PI NS	
	- 9A			
RC20GF221J	12 - 12	1	PI NS	
RC20GF391J	19 - 54	1	PI NS	
RC32GF202J	19 -	1	PI NS	
RV4NAYS01A	5 - 21	1	PI NS	
RW58V2R0	19 -	1	PI NS	
RY4NA3B3L01	11 - 12	2	PI NS	
	16 - 5	2	PI NS	
	24 - 16	2	PI NS	
SBX092264-10	8 - 6	1	PI NS	
S1006-2	8 - 7	1	X2	
S1058	8 - 8	1	X2	
S1059	8 - 10	1	PI NS	
S1106	8 - 12	1	PI NS	
S1111	8 - 5	1	X2	
S1122	8 - 9	1	PI NS	
S1179	9 - 14	1	PI NS	
TA514H14-30	9 - 16	1	PI NS	
TA514H18-46	9 - 15	8	PI NS	
TA514H22-30	9 - 13	3	PI NS	
TA514H8-22	19 - 24	4	PI NS	
TS103P02	19 - 27	3	PI NS	
TS1405P01	3 - 2	1		
UNIT 15	6 - 15	159	PI NS	
VH22/1AN8	21 - 32			
	23 - 28			
	24 - 26			
VM910M66	5 - 10	13	PI NS	
	12 - 5			
VM910M6R	5 - 11	8	PI NS	
	12 - 6			
XB602-14	6 - 14	194	PI NS	
	21 - 31			
	23 - 27			
	24 - 25			

MFR PART NUMBER	FIG. AND INDEX NO.	QTY PER ART.	SMR CODE	EQUIP. SPARES LEVEL
0004-058-000	5 -			
	21 -			
	23 -			
	24 -			
0004-065-000	5 -			
	12 -			
	21 -			
	22 -			
	23 -			
	24 -			
0007-008-000	12 -			
	21 -			
	23 -			
	24 -			
0007-013-000	18 -			
	22 -			
01-801600-111	3 - 10	2	M1	
	9 - 7			
01-801600-135	3 - 11	1	M1	
01-801600-139	10 - 12	1	M1	
01-801600-28	3 - 12	2	X2	
	10 - 9			
01-801600-35	10 - 13	1	X2	
01-801600-43	3 - 16	1	X2	
01-801600-61	9 - 10	4	X2	
	14 - 9			
	15 - 10			
	20 - 12			
01-801600-66	3 - 15	2	M1	
	10 - 8			
0156A3471G1X2TF	19 - 9	1	PI N	
0165A9863G1X2TF	19 - 10	1	PI N	
02-724633-1	3 - 23	5	PI X	
	8 -			
	10 - 18			
	14 - 7			
	15 - 8			
	20 - 10			
02-725730-1	10 - 1	3	A1	
	11 -			
	14 - 1			
	20 - 1			
02-725944-1	15 - 1	1	A1	
	16 -			
02-727821-1	3 - 20	1	A1	
	6 -			
02-727827-1	15 - 6	1	A1	
	18 -			
02-727828-1	14 - 3	1	M1	
02-728311-1	20 - 6	1	A1	
	22 -			
02-728316-1	10 - 4	1	A1	
	12 -			
02-728318-1	3 - 9	1	A1	
	5 -			
02-728320-1	20 - 5	2	A1	
	21 -			
02-728322-1	20 - 9	1	A1	
	24 -			
02-728325-1	20 - 8	1	A1	
	23 -			
02-728326-1	20 - 7	1	A1	
	21 -			
02-728543-1	25 - 7	1	A1	
	19 -			
02-801741-4	16 - 4			
02-801741-62	5 - 6			
02-801741-64	5 - 9			
02-801741-67	5 - 8			
02-801741-68	12 - 7			
02-802059-1	10 - 17			
	14 - 6			
	15 - 5			
02-802392-4	5 - 15			
02-802425-3	24 - 16			
02-802425-4	24 -			
020071-1	3 - 48	14	PI NB	
	10 - 39			
	14 - 23			
	15 - 29			
	20 - 37			

MFR PART NUMBER	FIG. AND INDEX NO.	QTY PER ART.	SMR CODE	EQUIP. SPARES LEVEL
020071-2	3 - 49	14	P1 NB	
	10 - 40			
	14 - 24			
	15 - 30			
	20 - 38			
091-0020-000	6 -			
	21 -			
	23 -			
	24 -			
1/2	3 - 30	AR	X2	
	10 - 26			
	14 - 15			
	15 - 21			
	20 - 20			
1N249B	19 - 52	2	P1 NS	
1N270	24 -	1	P1 NS	
1N2810B	19 - 50	2	P1 NS	
1N2810RB	19 - 50	2	P1 NS	
1N2824B	19 - 50	2	P1 NS	
1N2824RB	19 - 50	2	P1 NS	
1N2992B	19 - 25	1	P1 NS	
1N645	23 - 29	1	P1 NS	
10-21MM8MS21-10	19 -			
10-4-00	12 -	4	P1 NS	
101-5030-971	11 - 2	1	P1 NS	
1028-4	16 - 4	10	P1 NS	
1028-62	5 - 6	4	P1 NS	
1028-64	5 - 9	1	P1 NS	
1028-67	5 - 8	1	P1 NS	
1028-68	12 - 7	5	P1 NS	
105560	2 - 10	1	P1 NS	
11-802413-1	10 - 16			
12-21MM8MS21-12	18 -			
	19 -			
12-802297-1	5 - 22			
12-802390-1	2 - 10			
12S1-12-1BB	5 -	138	P1 NS	
	12 -			
	21 -			
	23 -			
	24 -			
12S1-19-1BB	24 -	8	P1 NS	
122-37-2000	21 -			
	23 -			
	24 -			
13-728725-1	24 - 15	200	A	
1551G	5 -	2	P1 NS	
16185-1	19 - 30	5	P1 NS	
	23 - 31			
18-21MM8MS21-18	19 -			
	22 -			
181-1/2	10 - 27	2	P1 NS	
	17 - 3			
19-801862-1	3 - 30			
	10 - 26			
	14 - 15			
	15 - 21			
	20 - 20			
19-801914-1	3 - 29			
	10 - 24			
	14 - 13			
	8 - 1	1	P1 NS	
2A1000	8 -	1	P1 XF	
2EB408A49	12 - 8	1	P1 NS	
2PB12T2	10 - 29	3	X2	
20GB303	15 - 22			
	20 - 22			
20GB603	3 - 31	3	X2	
	9 - 18			
	14 - 16			
20410	11 - 7	2	P1 NS	
	15 - 13			
2249991G1	3 - 43	7	P1 NB	
	9 - 19			
2249991G2	3 - 44	7	P1 NB	
225-22222-10100-100	6 -			
	21 -			
	23 -			
	24 -			
2273254G1	3 - 1	1		
229005G1	9 - 5	1		
2290409G1	9 - 2	1		
2290789G1	9 - 3	1		

MFR PART NUMBER	FIG. AND INDEX NO.	QTY PER ART.	SMR CODE	EQUIP. SPARES LEVEL
2291251G1	9 - 1	1		
2292045	9 - 22	10		
2292887G1	9 - 4	1		
23-801869-1	8 -			
2349728G1	13 - 6	1	A1	
	14 -			
2349729G1	13 - 7	1	A1	
	15 -			
2349732G1	2 - 9	1	A1	
	10 -			
2349737G3	1 - 6	1	A1	
	20 -			
2349747G1	3 - 52	4	X2	
2381-1	6 - 23	4	P1 NS	
	12 - 14			
2385-1	5 - 17	6	X2	
	6 - 7			
	12 - 3			
2385-2	18 - 13	4	X2	
	22 - 2			
24-21MM8MS21-24	19 -			
247Q102G1	10 - 17	9	P1 XF	
	14 - 6			
	15 - 5			
2470460-13	1 - 5	1	X2	
2470594G1	3 - 8	1	A	
2470595G1	10 - 3	1	A	
2470596G1	3 - 19	1	A	
2470667G1	2 - 7	1	A	
	3 -			
2470689G1	2 - 8	1	A	
	9 -			
2471054G1	10 - 44	1	X2	
2471054G2	3 - 63	4	X2	
	9 - 36			
	14 - 34			
	15 - 38			
2471054G3	20 - 43	1	X2	
2471055G1	3 - 14	4	M	
	9 - 9			
	10 - 11			
	15 - 9			
2471055G2	14 - 8	2	M	
	20 - 11			
2471070G2	10 - 19	1	X2	
2471070G26	3 - 24	1	X2	
2471070G27	9 - 12	1	X2	
2471070G6	14 - 11	1	X2	
2471070G7	15 - 12	1	X2	
2471070G8	20 - 14	1	X2	
2471095G1	1 -	1	A1	
2471909	3 - 45	22	X2	
	3 - 46			
	9 - 21			
2471910	3 - 47	4	X2	
2471985	3 - 42	2	X2	
2472096	9 - 24	2	X2	
2472097G1	9 - 25	4	X2	
2472097G2	9 - 26	4	X2	
2472098G1	9 - 30	1	X2	
2472098G2	9 - 31	1	X2	
2472099G1	9 - 32	1	X2	
2472099G2	9 - 33	1	X2	
2472460-1	1 - 3	1	X2	
2472460-17	1 - 1	1	X2	
2472460-18	1 -	1	X2	
2472460-19	1 -	1	X2	
2472460-2	1 -	1	X2	
25-801830-2	4 - 2			
25-801864-2	7 - 6			
254	3 - 28	9	X2	
	10 - 25			
	14 - 14			
	15 - 20			
	17 - 2			
	20 - 21			
26-801821-1	16 - 7			
267	7 - 3	1	X2	
29-801848-12	19 - 12			
29-801848-13	19 - 11			
35AA1046	19 - 26	3	P1 NS	
31-801763-1	19 - 29			

MFR PART NUMBER	FIG. AND INDEX NO.	QTY PER ART.	SMR CODE	EQUIP. SPARES LEVEL
31-801763-4	19 - 28			
	23 - 30			
31-801852-1	19 - 26			
31-801874-1	19 - 44			
31-801880-1	19 - 23			
32-724053-1	6 - 18	3	P1 XF	
32-724054-1	21 - 9	47	P1 XF	
	21 - 17			
	23 - 7			
	24 - 8			
32-724055-1	21 - 13	8	P1 XF	
	23 - 13			
	24 - 9			
32-724135-1	21 - 14	6	P1 XF	
	21 - 19			
	23 - 9			
	24 - 10			
32-724369-4	21 - 14A	4	P1 XF	
	21 - 22A			
	23 - 18A			
32-724743-1	23 - 10	12	P1 XF	
	24 - 11			
32-725360-1	21 - 12	3	P1 XF	
	21 - 18			
	23 - 11			
32-725388-1	21 - 8	6	P1 XF	
	21 - 15			
	23 - 12			
32-726825-1	6 - 17	6	P1 XF	
32-726843-1	21 - 11	17	P1 XF	
	23 - 14			
	24 - 12			
32-728649-1	21 - 22	1	P1 XF	
32-728655-1	23 - 16	1	P1 XF	
32-728658-1	24 - 14	1	P1 XF	
32-728661-1	21 - 21	1	P1 XF	
32-728714-1	21 - 7	2	P1 XF	
	23 - 15			
32-737247-3	23 - 18	1	P1 XF	
32-737247-4	21 - 20	6	P1 XF	
	23 - 17			
32-741157-1	21 - 10	73	P1 XF	
	21 - 16			
	23 - 8			
	24 - 13			
32-801855-2	5 - 20			
	6 - 13			
	12 - 11			
	21 - 33			
	23 - 33			
	24 - 27			
323	3 - 29	5	P1 NS	
	10 - 24			
	14 - 13			
33-801782-1	11 - 7			
	15 - 13			
33-801856-1	5 - 10			
	12 - 5			
33-801856-3	5 - 11			
	12 - 6			
33-801868-1	8 - 1			
33-801886-4	19 - 10			
33-801886-6	19 - 9			
33-802599-2	12 - 8			
3302	7 - 2	1	P1 NS	
4-14MMUUSMS14-4	3 -			
	4 -			
	10 -			
	11 -			
	14 -			
	15 -			
	20 -			
4CS 1/2	7 - 4	1	P1 NS	
405	12 - 13	2	X2	
4216-10	4 - 2	1	P1 NS	
42574-3	11 - 10	30	P1 NS	
	16 -			
42575-3	11 - 10	5	P1 NS	
480065-6	16 - 6			
5S3-2	5 -	146	P1 NS	
	12 -			
	21 -			
	23 -			

MFR PART NUMBER	FIG. AND INDEX NO.	QTY PER ART.	SMR CODE	EQUIP. SPARES LEVEL
	24 -			
50-235032AAAA2JAB	7 - 6	1	P1 NS	
5262	7 - 5	3	P1 NS	
	17 - 4			
5346-22HP	19 - 23	4	P1 NS	
58C1	10 - 28	1	P1 NS	
58361 1/2	7 -			
6-14MM5MS14-6	20 -			
6-21MM8MS21-6	19 -			
600GMFST4SIMS600-4GMG	3 - 38	7	P1 NS	
	4 - 3			
	10 - 31			
	11 - 4			
	14 - 28			
	15 - 27			
	20 - 32			
600GMFST8SIMS600-8GMG	6 - 12	1	P1 NS	
600GMF6MS600-6GMG	20 - 25	4	P1 NS	
602	19 - 43	52	P1 NS	
	22 - 5			
602GMF2202-10MS602-10GMG	19 - 18	3	P1 NS	
602GMF2202-12MS602-12GMG	18-14	5	P1 NS	
	19 - 37			
602GMF2202-18MS602-18GMG	19 - 39	3	P1 NS	
	22 - 6			
602GMF2202-24MS602-24GMG	19 - 38	1	P1 NS	
602GMF2202-6MS602-6GMG	19 - 40	1	P1 NS	
640914A3	5 - 15	2	P1 NS	
68371-1/2	10 -			
	17 -			
70-201500-202	6 - 9			
70-201500-206	6 - 10			
70-201500-207	19 - 60			
70-201500-210	6 - 11			
	19 - 59			
70-201501-202	11 - 3			
70-201501-203	11 - 8			
70-727061-1	19 - 22	2	M1	
70-730018-2	21 - 42			
	23 - 47			
	24 - 38			
70-801716-1	7 - 3			
70-801732-1	6 - 14			
	21 - 31			
	23 - 27			
	24 - 25			
70-801745-1	3 -			
	10 -			
	14 -			
	15 -			
	20 -			
70-801745-10	9 -			
70-801745-3	3 -			
	9 -			
	10 -			
	14 -			
	15 -			
	20 -			
70-801745-8	15 - 12			
70-801753-2	3 -			
	9 -			
	10 -			
	14 -			
	15 -			
	20 -			
70-801797-1	3 - 40			
	10 - 33			
	14 - 26			
	15 - 25			
	20 - 31			
	22 - 7			
70-801798-11	11 -			
70-801798-2	20 - 29			
70-801798-3	5 - 19			
	12 -			
70-801798-7	6 -			
	21 -			

T.O. 31R1-2GRA96-4

MFR PART NUMBER	FIG. AND INDEX NO.	QTY PER ART.	SMR CODE	EQUIP. SPARES LEVEL
	23 -			
	24 -			
70-801870-1	3 - 28			
	10 - 25			
	14 - 14			
	15 - 20			
	17 - 2			
	20 - 21			
70-801989-1	7 - 2			
70-802104-1	3 - 31			
	9 - 18			
	14 - 16			
70-802104-2	10 - 29			
	15 - 22			
	20 - 22			
70-802396-1	5 -			
	12 -			
	21 -			
	23 -			
	24 -			
70-802396-3	5 -			
	12 -			
	21 -			
	23 -			
	24 -			
70-802396-4	24 -			
73-801746-1	11 - 2			
73-801767-1	19 - 30			
	23 - 31			
73-801773-2	7 - 5			
	17 - 4			
73-801778-5	11 - 11			
	16 - 6			
73-801779-1	11 -			
	16 -			
73-801779-2	11 - 10			
73-801796-3	18 - 10			
73-801796-4	18 - 9			
73-801798-6	19 -			
73-801802-2	5 -			
	6 - 7			
73-801825-14	3 - 38			
	4 - 3			
	10 - 31			
	11 - 4			
	14 - 28			
	15 - 27			
	20 - 32			
73-801825-15	6 - 12			
73-801825-17	19 - 40			
73-801825-19	19 - 18			
73-801825-24	18 - 14			
	19 - 37			
73-801825-25	19 - 39			
	22 - 6			
73-801825-26	19 - 38			
73-801825-27	20 - 25			
73-801843-1	6 - 4			
73-801893-2	6 - 23			
	12 - 14			
73-801957-1	19 - 43			
	22 - 5			
73-802019-115	5 - 24			
	6 - 20			
	12 - 15			
	21 - 34			
	22 - 10			
	23 - 34			
	24 - 28			
73-802019-119	22 - 9			
73-802019-120	18 - 6			
	22 - 11			
73-802019-121	18 - 5			
73-802019-122	18 - 3			
73-802019-123	18 - 4			
73-802019-124	18 - 8			
73-802019-135	21 - 39			
	23 - 38			
73-802019-136	21 - 40			
	23 - 40			
73-802019-137	23 - 41			
73-802019-138	23 - 42			
73-802019-139	23 - 43			
73-802019-140	6 - 22			

MFR PART NUMBER	FIG. AND INDEX NO.	QTY PER ART.	SMR CODE	EQUIP. SPARES LEVEL
	12 - 16			
	21 - 36			
	23 - 36			
	24 - 32			
73-802019-150	18 - 2			
73-802019-203	5 - 25			
	6 - 19			
	21 - 38			
	23 - 39			
	24 - 33			
73-802019-204	24 - 34			
73-802019-205	24 - 35			
73-802019-206	24 - 36			
73-802019-208	6 - 21			
	21 - 35			
	23 - 35			
	24 - 30			
73-802019-209	24 - 31			
73-802019-37	21 - 37			
	23 - 44			
73-802019-52	18 - 7			
73-802019-83	23 - 45			
73-802019-87	23 - 37			
	24 - 29			
73-802019-1	12 -			
	21 -			
	23 -			
	24 -			
73-802019-2	5 -			
	21 -			
	23 -			
	24 -			
73-802109-3	22 -			
73-802109-4	5 -			
	12 -			
	21 -			
	22 -			
	23 -			
	24 -			
73-802221-2	6 - 15			
	21 - 32			
	23 - 28			
	24 - 26			
73-803550-1	12 - 13			
74-725630-1	19 - 7	1		X2
74-725659-1	19 - 8	1		X2
74-725900-221	11 - 1	1		X2
74-725900-313	16 - 1	1		X2
74-725900-38	8 - 3	1		X2
74-725900-414	7 - 1	1		X2
74-725900-439	4 - 1	1		X2
74-725900-444	17 - 1	1		X2
74-725900-493	6 - 1	1		X2
74-725900-581	18 - 1	1		X2
74-725900-612	22 - 1	1		X2
74-725900-622	19 - 1	1		X2
74-725900-638	12 - 1	1		X2
74-725900-639	21 - 1	1		X2
74-725900-640	24 - 1	1		X2
74-725900-643	23 - 1	1		X2
74-725900-646	5 - 23	1		X2
74-725900-647	21 - 1	1		X2
74-728719-2	5 - 16	1		X2
74-801610-1	21 - 4			
	23 - 4			
	24 - 4			
74-801610-2	21 - 5			
	23 - 5			
	24 - 5			
74-801832-1	5 - 17			
	12 - 3			
74-801832-2	18 - 13			
	22 - 2			
740-4-06-00613	3 -			
	4 -			
	10 -			
	11 -			
	14 -			
	15 -			
	20 -			
740-6-06-00626	20 -			
740-8-06-00614	6 -			
7408	18 - 10	1		PI NS



MFR PART NUMBER	FIG. AND INDEX NO.	QTY PER ART.	SMR CODE	EQUIP. SPARES LEVEL
7410B	18 - 9	3	PI NS	
742-10-06-00618	19 -			
742-12-06-00623	18 -			
742-18-06-00624	19 -			
	22 -			
742-24-06-00625	19 -			
742-6-06-00616	19 -			
8-14MMUUSMS14-4	6 -			
81-724632-1	8 - 2	1	M1	
81-726332-1	14 - 30	1	M1	
81-726341-1	20 -	10	M1	
81-726392-1	3 -	27	PI NS	
	10 -			
	14 -			
	15 -			
	20 -			
81-726392-2	3 -	26	PI NS	
	14 -			
	15 -			
81-727636-1	3 - 50	32	M1	
	10 - 41			
	14 - 25			
	15 - 31			
	20 - 39			
81-727727-1	3 - 32	17	M	
	10 - 30			
	14 - 17			
	15 - 23			
	20 - 23			
81-727786-3	3 - 59	3	M1	
	10 - 35			
	15 - 32			
81-728084-1	3 - 55	3	M1	
81-728084-2	20 - 40	9	M1	
81-728084-3	3 - 56	19	M1	
	10 - 43			
	14 - 33			
	15 - 35			
81-728119-1	3 - 57	11	M1	
	15 - 24			
	20 - 42			
81-728595-1	19 - 35	2	PI NS	
81-801698-3	10 - 28			
81-801877-1	10 - 27			
81-801877-2	7 - 4			
82-724089-1	14 - 4	4	M1	
	20 - 3			
82-724090-1	10 - 15	3	M1	
	14 - 2			
	20 - 4			
82-724571-1	10 - 2	3	M1	
	14 - 4A			
	15 - 2			
82-724572-1	15 - 3	1	M1	
82-724582-1	17 - 5	1	M1	
82-724615-1	4 - 4	1	M1	
82-724619-1	10 - 23	3	M1	
	15 - 18			
	20 - 18			
82-724620-1	15 - 14	1	M1	
82-724636-1	9 - 6	3	M1	
	20 - 2			
82-724728-2	7 - 8	1	X2	
82-724732-1	11 - 13	1	M1	
82-724808-1	10 - 37	2	M1	
	15 - 36			
82-724808-2	10 - 38	2	M1	
	15 - 37			
82-725626-1	19 - 16	2	M1	
82-725629-1	19 - 2	1	X2	
82-725651-1	19 - 58	1	M1	
82-725661-1	19 - 56	1	M1	
82-725661-1	19 - 57	1	M1	
82-725661-2	19 - 57	1	M1	
82-725661-3	19 - 56	1	M1	
82-725661-4	19 - 57	1	M1	
82-725661-5	19 - 54	1	M1	
82-725661-6	19 - 57	1	M1	
82-725661-7	19 - 56	1	M1	
82-725661-9	19 - 56	1	M1	
82-725662-1	19 - 51	1	PI NS	
82-725662-3	19 - 51	1	PI NS	

MFR PART NUMBER	FIG. AND INDEX NO.	QTY PER ART.	SMR CODE	EQUIP. SPARES LEVEL
82-725662-5	19 - 51	1	PI NS	
82-725662-7	19 - 51	1	PI NS	
82-725662-9	19 - 51	1	PI NS	
82-725663-1	19 - 53	1	PI NS	
82-725728-1	11 - 9	1	M1	
82-725729-1	11 - 14	1	M1	
82-725854-5	21 - 3	6	M1	
	23 - 3			
	24 - 3			
82-725856-2	21 - 6	2	M1	
	23 - 6			
82-725858-1	21 - 29	3	M1	
	23 - 25			
	24 - 23			
82-725858-3	21 - 30	3	M1	
	23 - 26			
	24 - 24			
82-725862-3	21 - 43	3	X2	
	23 - 48			
	24 - 39			
82-726114-1	19 - 13	1	M1	
82-726114-2	19 - 14	1	M1	
82-726233-1	3 - 39	6	M	
	10 - 32			
	11 - 5			
	14 - 29			
	15 - 28			
	20 - 33			
82-726403-2	3 - 54	13	M1	
	10 - 42			
	14 - 31			
	15 - 34			
	20 - 41	15	M1	
82-726403-7	6 - 16	1	M1	
82-726805-1	6 - 2	1	M1	
82-726806-1	6 - 2	1	M1	
82-727010-1	19 - 31	1	M1	
82-727062-1	19 - 21	2	M1	
82-727596-1	16 - 9	1	M1	
82-727657-1	3 - 33	36	M	
	14 - 31			
	3 - 25	1	X2	
82-727689-1	3 - 26	1	X2	
82-727786-3	20 - 34	1	M1	
82-727787-1	3 - 60	8	M1	
	10 - 36			
	15 - 33			
	20 - 35			
82-727876-1	6 - 8	1	M	
82-728255-1	21 - 27	12	M1	
	23 - 23			
	24 - 21			
82-728256-1	21 - 28	9	M1	
	23 - 24			
	24 - 22			
82-728514-1	18 - 21	1	A1	
82-728515-1	18 - 12	1	M1	
82-728516-1	18 - 19	1	M1	
82-728517-1	18 - 16	1	M1	
82-728518-1	18 - 17	4	M1	
82-728518-2	18 - 18	2	M1	
82-728527-1	18 - 20	6	M1	
82-728544-1	22 - 12	1	X2	
82-728545-1	22 - 8	1	M1	
82-728546-1	22 - 3	1	M1	
82-728576-1	19 - 17	1	M	
82-728577-1	19 - 15	1	A1	
82-728587-1	23 - 2	1	X2	
82-728587-3	21 - 2	1	X2	
82-728587-4	24 - 2	1	X2	
82-728587-8	21 - 2	1	X2	
82-728592-1	19 - 62	1	X2	
82-728593-1	19 - 32	2	PI NS	
82-728594-1	19 - 33	2	PI NS	
82-728645-1	23 - 46	1	M1	
82-728646-1	12 - 17	1	X1	
82-728647-1	12 - 2	1	M1	
82-728670-1	10 - 7	1	M1	
82-728671-1	10 - 6	1	X2	
82-728673-1	23 - 32	1	M1	
82-728675-1	21 - 41	1	M1	
82-728687-1	24 - 37	1	M1	
82-728690-1	24 - 7	1	M1	
82-728691-1	21 - 41	1	M1	

T.O. 31R1-2GRA96-4

MFR PART NUMBER	FIG. AND INDEX NO.	QTY PER ART.	SMR CODE	EQUIP. SPARES LEVEL
82-728694-1	5 - 26	1	M1	
82-728695-1	5 - 18	1	M1	
82-728696-1	5 - 1	1	M1	
82-728697-1	5 - 2	1	M1	
82-728711-1	24 - 6	1	M1	
82-728724	20 - 30	1	X2	
83-724613-1	2 - 2	3	M	
	13 - 5			
83-725652-1	19 - 42	1	M1	
83-725652-2	19 - 41	1	M1	
83-725653-1	18 - 15	4	PI NS	
	19 - 19			
	22 - 4			
83-725653-101	22 -	1	PI NS	
8375-1004	10 -			
	14 -			
	15 -			
84-724733-1	16 - 8	1	M	
84-726801-2	6 - 24	1	X1	
84-801620-3	3 - 48			
	10 - 39			
	14 - 23			
	15 - 29			
	20 - 37			
84-801620-4	3 - 49			
	10 - 40			
	14 - 24			
	15 - 30			
	20 - 38			
84-802927-7	2 - 1	1	X2	
86-724576-151	5 - 3	4	PI NS	
86-724576-152	5 - 4	1	PI NS	
86-724576-157	5 - 5	1	PI NS	
86-724576-158	12 - 6	1	PI NS	
86-801882-6	12 -			

MFR PART NUMBER	FIG. AND INDEX NO.	QTY PER ART.	SMR CODE	EQUIP. SPARES LEVEL
89-724614-3	3 - 4	1	A1	
	4 -			
89-724619-1	3 - 37	2	M	
	14 - 21			
89-724729-3	3 - 21	2	A1	
	7 -			
	14 - 5			
89-724731-1	15 - 4	1	A	
	17 -			
89-725631-1	19 - 55	1	X2	
89-725656-1	19 - 46	2	A1	
89-725656-11	19 - 49	1	A1	
89-725656-3	19 - 45	2	A1	
89-725656-5	19 - 47	1	A1	
89-725656-7	19 - 48	1	A1	
89-725815-1	3 -	5	A	
	10 -			
	14 -			
	15 -			
	20 -			
89-726236-1	3 -	6	A	
	10 -			
	11 -			
	14 -			
	15 -			
	20 -			
89-726777-1	19 - 6	2	A	
89-726968-1	15 -	1	M1	
89-728119-1	14 - 22	5	M1	
89-728591-1	19 - 36	1	M1	
89-728721-1	20 -	1	A	
91920062	10 - 16	1	A	
94-728669-1	12 - 4	1	M1	
94-728669-2	5 - 12	1	M1	
94-728669-3	5 - 13	2	M1	
9608	5 - 22	2	PI NS	

### SECTION III

### REFERENCE DESIGNATION INDEX

REFERENCE DESIGNATION	FIG. AND INDEX NO.	MFR PART NUMBER
102A5	13 - 6	2349728G1
102A5A1	14 - 1	02-725730-1
102A5A1DS1	11 - 1	MS25237-327
102A5A1K1	11 - 12	RY4NA3B3L01
102A5A1S1	11 - 7	20410
102A5A1TB1	11 - 11	480065-6
102A5A1TB2	11 - 3	89-726236-1
102A5A1XDS1	11 - 2	101-5030-971
102A5A10	14 - 4A	82-724571-1
102A5A11	14 - 6	2470102G1
102A5A12	14 - 5	89-724729-3
102A5A12DS1	7 - 6	50-235032AAAA2JAB
102A5A12J1	7 - 5	5262
102A5A12J2	7 - 5	5262
102A5A13	14 - 7	02-724633-1
102A5A13F1	8 - 11	MDL1
102A5A13S1	8 - 1	2A1000
102A5A13XF1	8 - 12	S1111
102A5A2	14 - 2	82-724090-1
102A5A3	14 - 3	02-727828-1
102A5A4	14 - 4	82-724089-1
102A5A5	14 - 6	2470102G1
102A5A6	14 - 6	2470102G1
102A5A7	14 - 6	2470102G1
102A5A8	14 - 6	2470102G1
102A5A9	14 - 6	2470102G1
102A6	13 - 7	2349729G1

REFERENCE DESIGNATION	FIG. AND INDEX NO.	MFR PART NUMBER
102A6A1	15 - 1	02-725944-1
102A6A1DS1	16 - 4	1028-4
102A6A1DS10	16 - 4	1028-4
102A6A1DS2	16 - 4	1028-4
102A6A1DS3	16 - 4	1028-4
102A6A1DS4	16 - 4	1028-4
102A6A1DS5	16 - 4	1028-4
102A6A1DS6	16 - 4	1028-4
102A6A1DS7	16 - 4	1028-4
102A6A1DS8	16 - 4	1028-4
102A6A1DS9	16 - 4	1028-4
102A6A1F1	16 - 2	MS90078-7
102A6A1K1	16 - 5	RY4NA3B3L01
102A6A1TB1	16 - 6	480065-6
102A6A1TB2	16 - 6	480065-6
102A6A1XF1	16 - 3	FHL17G
102A6A2	15 - 5	2470102G1
102A6A3	15 - 2	82-724571-1
102A6A4	15 - 6	02-727827-1
102A6A4J1	18 - 2	PT07SE20-16S
102A6A4J10	18 - 6	PT07SE18-11S
102A6A4J11	18 - 3	PT07SE18-11SX
102A6A4J12	18 - 8	PT07SE18-11SZ
102A6A4J13	18 - 5	PT07SE18-11SW
102A6A4J14	18 - 7	PT07SE14-5S
102A6A4J15	18 - 9	7410B
102A6A4J16	18 - 9	7410B

T.O. 31R1-2GRA96-4

REFERENCE DESIGNATION	FIG. AND INDEX NO.	MFR PART NUMBER
102A6A4J17	18 - 9	7410B
102A6A4J18	18 - 10	7408
102A6A4J2	18 - 3	PT07SE18-11SX
102A6A4J3	18 - 4	PT07SE18-11SY
102A6A4J4	18 - 5	PT07SE18-11SW
102A6A4J5	18 - 6	PT07SE18-11S
102A6A4J6	18 - 6	PT07SE18-11S
102A6A4J7	18 - 2	PT07SE20-16S
102A6A4J8	18 - 7	PT07SE14-5S
102A6A4J9	18 - 8	PT07SE18-11SZ
102A6A4TB1	18 - 15	83-725653-1
102A6A4TB2	18 - 15	83-725653-1
102A6A4TB3	18 - 14	602GMF 2202-12MS602-12GMG
102A6A4TB4	18 - 14	602GMF 2202-12MS602-12GMG
102A6A4TB5	18 - 14	602GMF 2202-12MS602-12GMG
102A6A4TB6	18 - 14	602GMF 2202-12MS602-12GMG
102A6A5	15 - 7	02-728543-1
102A6A5A1	19 - 46	89-725656-1
102A6A5A1CR1	19 - 50	1N2810RB
102A6A5A1CR2	19 - 50	1N2810RB
102A6A5A1CR3	19 - 52	1N249B
102A6A5A1CR4	19 - 52	1N249B
102A6A5A1TB1	19 - 55	89-725631-1
102A6A5A2	19 - 46	89-725656-1
102A6A5A2CR1	19 - 50	1N2810RB
102A6A5A2CR2	19 - 50	1N2810RB
102A6A5A2CR3	19 - 52	1N249B
102A6A5A2CR4	19 - 52	1N249B
102A6A5A2TB1	19 - 55	89-725631-1
102A6A5A3	19 - 45	89-725656-3
102A6A5A3CR1	19 - 50	1N2810RB
102A6A5A3CR2	19 - 50	1N2810RB
102A6A5A3CR3	19 - 52	1N249B
102A6A5A3CR4	19 - 52	1N249B
102A6A5A3R1	19 - 54	RC20GF391J
102A6A5A3TB1	19 - 55	89-725631-1
102A6A5A4	19 - 45	89-725656-3
102A6A5A4CR1	19 - 50	1N2810RB
102A6A5A4CR2	19 - 50	1N2810RB
102A6A5A4CR3	19 - 52	1N249B
102A6A5A4CR4	19 - 52	1N249B
102A6A5A4R1	19 - 54	RC20GF391J
102A6A5A4TB1	19 - 55	89-725631-1
102A6A5A5	19 - 47	89-725656-5
102A6A5A5CR1	19 - 50	1N2810B
102A6A5A5CR2	19 - 50	1N2810B
102A6A5A5CR3	19 - 52	1N249B
102A6A5A5CR4	19 - 52	1N249B
102A6A5A5R1	19 - 54	RC20GF391J
102A6A5A5TB1	19 - 55	89-725631-1
102A6A5A6	19 - 48	89-725656-7
102A6A5A6CR1	19 - 50	1N2824B
102A6A5A6CR2	19 - 50	1N2824B
102A6A5A6CR3	19 - 52	1N249B
102A6A5A6CR4	19 - 52	1N249B
102A6A5A6R1	19 - 54	RW58V2R0
102A6A5A6TB1	19 - 55	89-725631-1
102A6A5A7	19 - 49	89-725656-11
102A6A5A7CR1	19 - 50	1N2824RB
102A6A5A7CR2	19 - 50	1N2824RB
102A6A5A7CR3	19 - 52	1N249B
102A6A5A7CR4	19 - 52	1N249B
102A6A5A7R1	19 - 54	RC32GF202J
102A6A5A7TB1	19 - 55	89-725631-1
102A6A5CB1	19 - 11	PAM12SSKMG6-3-50DC
102A6A5CB2	19 - 11	PAM12SSKMG6-3-50DC
102A6A5CB3	19 - 11	PAM12SSKMG6-3-50DC
102A6A5CB4	19 - 11	PAM12SSKMG6-3-50DC
102A6A5CB5	19 - 11	PAM12SSKMG6-3-50DC
102A6A5CB6	19 - 12	PAM12SSKMG6-1.4-50DC
102A6A5CB7	19 - 12	PAM12SSKMG6-1.4-50DC
102A6A5CR1	19 - 25	1N2992B
102A6A5K1	19 - 44	G54554
102A6A5K10	19 - 23	5346-22HP
102A6A5K11	19 - 23	5346-22HP
102A6A5K12	19 - 23	5346-22HP
102A6A5K13	19 - 23	5346-22HP
102A6A5K14	19 - 20	MS25024-2
102A6A5K15	19 - 20	MS25024-2

REFERENCE DESIGNATION	FIG. AND INDEX NO.	MFR PART NUMBER
102A6A5K16	19 - 26	3SAA1046
102A6A5K17	19 - 26	3SAA1046
102A6A5K18	19 - 26	3SAA1046
102A6A5K19	19 - 20	MS25024-2
102A6A5K2	19 - 44	G54554
102A6A5K20	19 - 20	MS25024-2
102A6A5K21	19 - 28	MHJL012D12.0VDC
102A6A5K22	19 - 28	MHJL012D12.0VDC
102A6A5K23	19 - 29	MHJL012D26.5VDC
102A6A5K24	19 - 29	MHJL012D26.5VDC
102A6A5K3	19 - 44	G54554
102A6A5K4	19 - 44	G54554
102A6A5K5	19 - 44	G54554
102A6A5K6	19 - 44	G54554
102A6A5K7	19 - 44	G54554
102A6A5K8	19 - 44	G54554
102A6A5K9	19 - 44	G54554
102A6A5S1	19 - 9	0156A3471GX2TF
102A6A5S10	19 - 3	MS24525-22
102A6A5S11	19 - 4	MS35059-22
102A6A5S12	19 - 3	MS24525-22
102A6A5S13	19 - 3	MS24525-22
102A6A5S14	19 - 5	MS35058-22
102A6A5S15	19 - 3	MS24525-22
102A6A5S16	19 - 5	MS35058-22
102A6A5S17	19 - 3	MS24525-22
102A6A5S2	19 - 3	MS24525-22
102A6A5S20	19 - 10	0165A9863G1X2TF
102A6A5S21	19 - 5	MS35058-22
102A6A5S23	19 - 4	MS35059-22
102A6A5S3	19 - 4	MS35059-22
102A6A5S4	19 - 3	MS24525-22
102A6A5S5	19 - 3	MS24525-22
102A6A5S6	19 - 5	MS35058-22
102A6A5S7	19 - 3	MS24525-22
102A6A5S8	19 - 5	MS35058-22
102A6A5S9	19 - 3	MS24525-22
102A6A5TB1	19 - 18	602GMF 2202-10MS602-10GMG
102A6A5TB10	19 - 39	602GMF 2202-18MS602-18GMG
102A6A5TB11	19 - 40	602GMF 2202-6MS602-6GMG
102A6A5TB2	19 - 18	602GMF 2202-10MS602-10GMG
102A6A5TB3	19 - 18	602GMF 2202-10MS602-10GMG
102A6A5TB4	19 - 19	83-725653-1
102A6A5TB5	19 - 37	602GMF 2202-12MS602-12GMG
102A6A5TB6	19 - 41	83-725652-2
102A6A5TB7	19 - 42	83-725652-1
102A6A5TB8	19 - 38	602GMF 2202-24MS602-24GMG
102A6A5TB9	19 - 39	602GMF 2202-18MS602-18GMG
102A6A5XK10	19 - 24	TS103P02
102A6A5XK11	19 - 24	TS103P02
102A6A5XK12	19 - 24	TS103P02
102A6A5XK13	19 - 24	TS103P02
102A6A5XK16	19 - 27	TS1405P01
102A6A5XK17	19 - 27	TS1405P01
102A6A5XK18	19 - 27	TS1405P01
102A6A5XK21	19 - 30	16185-1
102A6A5XK22	19 - 30	16185-1
102A6A5XK23	19 - 30	16185-1
102A6A5XK24	19 - 30	16185-1
102A6A6	15 - 3	82-724572-1
102A6A7	15 - 5	2470102G1
102A6A8	15 - 4	89-724731-1
102A6A8J1	17 - 4	5262
102A6A8J2	17 - 4	5262
102A6A9	15 - 8	SAME AS 102A5A1
112A5	1 - 6	2349737G3
112A5A1	20 - 1	SAME AS 102A5A1
112A5A10	20 - 8	02-728325-1
112A5A10A1	23 - 7	32-724054-1
112A5A10A10	23 - 8	32-741157-1
112A5A10A11	23 - 8	32-741157-1
112A5A10A12	23 - 7	32-724054-1
112A5A10A13	23 - 7	32-724054-1
112A5A10A14	23 - 8	32-741157-1
112A5A10A15	23 - 8	32-741157-1
112A5A10A16	23 - 7	32-724054-1
112A5A10A17	23 - 8	32-741157-1

REFERENCE DESIGNATION	FIG. AND INDEX NO.	MFR PART NUMBER
112A5A10A18	23 - 8	32-741157-1
112A5A10A19	23 - 8	32-741157-1
112A5A10A2	23 - 8	32-741157-1
112A5A10A20	23 - 7	32-724054-1
112A5A10A21	23 - 8	32-741157-1
112A5A10A26	23 - 15	32-728714-1
112A5A10A27	23 - 8	32-741157-1
112A5A10A28	23 - 13	32-724055-1
112A5A10A29	23 - 13	32-724055-1
112A5A10A3	23 - 14	32-726843-1
112A5A10A30	23 - 13	32-724055-1
112A5A10A31	23 - 8	32-741157-1
112A5A10A32	23 - 14	32-726843-1
112A5A10A33	23 - 8	32-741157-1
112A5A10A34	23 - 7	32-724054-1
112A5A10A35	23 - 9	32-724135-1
112A5A10A36	23 - 10	32-724743-1
112A5A10A37	23 - 14	32-726843-1
112A5A10A38	23 - 8	32-741157-1
112A5A10A39	23 - 7	32-724054-1
112A5A10A4	23 - 8	32-741157-1
112A5A10A40	23 - 8	32-741157-1
112A5A10A41	23 - 17	32-737247-4
112A5A10A42	23 - 8	32-741157-1
112A5A10A43	23 - 12	32-725388-1
112A5A10A44	23 - 11	32-725360-1
112A5A10A45	23 - 18	32-737247-3
112A5A10A46	23 - 17	32-737247-4
112A5A10A47	23 - 10	32-724743-1
112A5A10A48	23 - 10	32-724743-1
112A5A10A49	23 - 18A	32-724369-4
112A5A10A5	23 - 7	32-724054-1
112A5A10A50	23 - 16	32-728655-1
112A5A10A6	23 - 14	32-726843-1
112A5A10A7	23 - 8	32-741157-1
112A5A10A8	23 - 8	32-741157-1
112A5A10A9	23 - 8	32-741157-1
112A5A10CR1	23 - 29	1N645
112A5A10FL1	23 - 33	FA7022
112A5A10J1	23 - 28	VH22/1AN8
112A5A10J10	23 - 28	VH22/1AN8
112A5A10J11	23 - 28	VH22/1AN8
112A5A10J12	23 - 28	VH22/1AN8
112A5A10J13	23 - 28	VH22/1AN8
112A5A10J14	23 - 28	VH22/1AN8
112A5A10J15	23 - 28	VH22/1AN8
112A5A10J16	23 - 28	VH22/1AN8
112A5A10J17	23 - 28	VH22/1AN8
112A5A10J18	23 - 28	VH22/1AN8
112A5A10J19	23 - 28	VH22/1AN8
112A5A10J2	23 - 28	VH22/1AN8
112A5A10J20	23 - 28	VH22/1AN8
112A5A10J21	23 - 28	VH22/1AN8
112A5A10J22	23 - 28	VH22/1AN8
112A5A10J23	23 - 28	VH22/1AN8
112A5A10J24	23 - 28	VH22/1AN8
112A5A10J25	23 - 28	VH22/1AN8
112A5A10J26	23 - 28	VH22/1AN8
112A5A10J27	23 - 28	VH22/1AN8
112A5A10J28	23 - 28	VH22/1AN8
112A5A10J29	23 - 28	VH22/1AN8
112A5A10J3	23 - 28	VH22/1AN8
112A5A10J30	23 - 28	VH22/1AN8
112A5A10J31	23 - 28	VH22/1AN8
112A5A10J32	23 - 28	VH22/1AN8
112A5A10J33	23 - 28	VH22/1AN8
112A5A10J34	23 - 28	VH22/1AN8
112A5A10J35	23 - 28	VH22/1AN8
112A5A10J36	23 - 28	VH22/1AN8
112A5A10J37	23 - 28	VH22/1AN8
112A5A10J38	23 - 28	VH22/1AN8
112A5A10J39	23 - 28	VH22/1AN8
112A5A10J4	23 - 28	VH22/1AN8
112A5A10J40	23 - 28	VH22/1AN8
112A5A10J41	23 - 28	VH22/1AN8
112A5A10J42	23 - 28	VH22/1AN8
112A5A10J43	23 - 28	VH22/1AN8
112A5A10J44	23 - 28	VH22/1AN8
112A5A10J45	23 - 28	VH22/1AN8
112A5A10J46	23 - 28	VH22/1AN8

REFERENCE DESIGNATION	FIG. AND INDEX NO.	MFR PART NUMBER
112A5A10J47	23 - 28	VH22/1AN8
112A5A10J48	23 - 28	VH22/1AN8
112A5A10J49	23 - 28	VH22/1AN8
112A5A10J5	23 - 28	VH22/1AN8
112A5A10J50	23 - 28	VH22/1AN8
112A5A10J51	23 - 34	PT07SE18-11P
112A5A10J52	23 - 35	PT07SE22-55S
112A5A10J53	23 - 36	PT07SE18-32S
112A5A10J54	23 - 38	PT07SE18-32P
112A5A10J55	23 - 39	PT07SE22-55P
112A5A10J56	23 - 40	PT07SE18-32PW
112A5A10J57	23 - 41	PT07SE18-32PX
112A5A10J58	23 - 42	PT07SE18-32PY
112A5A10J59	23 - 43	PT07SE18-32PZ
112A5A10J6	23 - 28	VH22/1AN8
112A5A10J60	23 - 44	PT07SE12-10P
112A5A10J62	23 - 45	PT07SE14-19P
112A5A10J7	23 - 28	VH22/1AN8
112A5A10J8	23 - 28	VH22/1AN8
112A5A10J9	23 - 28	VH22/1AN8
112A5A10K1	23 - 30	MHJL012012.OVDC
112A5A10XK1	23 - 31	16185-1
112A5A11	20 - 3	82-724089-1
112A5A12	20 - 9	02-728322-1
112A5A12A1	24 - 13	32-741157-1
112A5A12A10	24 - 11	32-724743-1
112A5A12A11	24 - 13	32-741157-1
112A5A12A12	24 - 11	32-724743-1
112A5A12A13	24 - 11	32-724743-1
112A5A12A14	24 - 8	32-724054-1
112A5A12A15	24 - 13	32-741157-1
112A5A12A16	24 - 9	32-724055-1
112A5A12A17	24 - 13	32-741157-1
112A5A12A18	24 - 13	32-741157-1
112A5A12A19	24 - 12	32-726843-1
112A5A12A2	24 - 13	32-741157-1
112A5A12A20	24 - 13	32-741157-1
112A5A12A21	24 - 8	32-724054-1
112A5A12A22	24 - 13	32-741157-1
112A5A12A23	24 - 9	32-724055-1
112A5A12A24	24 - 13	32-741157-1
112A5A12A25	24 - 13	32-741157-1
112A5A12A26	24 - 12	32-726843-1
112A5A12A27	24 - 13	32-741157-1
112A5A12A28	24 - 11	32-724743-1
112A5A12A29	24 - 12	32-726843-1
112A5A12A3	24 - 11	32-724743-1
112A5A12A30	24 - 13	32-741157-1
112A5A12A31	24 - 11	32-724743-1
112A5A12A32	24 - 13	32-741157-1
112A5A12A33	24 - 13	32-741157-1
112A5A12A34	24 - 12	32-726843-1
112A5A12A35	24 - 13	32-741157-1
112A5A12A36	24 - 11	32-724743-1
112A5A12A37	24 - 10	32-724135-1
112A5A12A38	24 - 8	32-724054-1
112A5A12A39	24 - 8	32-724054-1
112A5A12A4	24 - 13	32-741157-1
112A5A12A40	24 - 14	32-728658-1
112A5A12A42	24 - 8	32-724054-1
112A5A12A43	24 - 8	32-724054-1
112A5A12A44	24 - 8	32-724054-1
112A5A12A45	24 - 8	32-724054-1
112A5A12A46	24 - 13	32-741157-1
112A5A12A47	24 - 8	32-724054-1
112A5A12A48	24 - 8	32-724054-1
112A5A12A49	24 - 13	32-741157-1
112A5A12A5	24 - 11	32-724743-1
112A5A12A50	24 - 8	32-724054-1
112A5A12A51	24 - 16	SBX092264-10
112A5A12A52	24 - 16	SBX092264-10
112A5A12A6	24 - 11	32-724743-1
112A5A12A9	24 - 13	32-741157-1
112A5A12FL1	24 - 27	FA7022
112A5A12FL2	24 - 27	FA7022
112A5A12J1	24 - 26	VH22/1AN8
112A5A12J10	24 - 26	VH22/1AN8
112A5A12J11	24 - 26	VH22/1AN8
112A5A12J12	24 - 26	VH22/1AN8
112A5A12J13	24 - 26	VH22/1AN8

REFERENCE DESIGNATION	FIG. AND INDEX NO.	MFR PART NUMBER
112A5A12J14	24 - 26	VH22/1AN8
112A5A12J15	24 - 26	VH22/1AN8
112A5A12J16	24 - 26	VH22/1AN8
112A5A12J17	24 - 26	VH22/1AN8
112A5A12J18	24 - 26	VH22/1AN8
112A5A12J19	24 - 26	VH22/1AN8
112A5A12J2	24 - 26	VH22/1AN8
112A5A12J20	24 - 26	VH22/1AN8
112A5A12J21	24 - 26	VH22/1AN8
112A5A12J22	24 - 26	VH22/1AN8
112A5A12J23	24 - 26	VH22/1AN8
112A5A12J24	24 - 26	VH22/1AN8
112A5A12J25	24 - 26	VH22/1AN8
112A5A12J26	24 - 26	VH22/1AN8
112A5A12J27	24 - 26	VH22/1AN8
112A5A12J28	24 - 26	VH22/1AN8
112A5A12J29	24 - 26	VH22/1AN8
112A5A12J3	24 - 26	VH22/1AN8
112A5A12J30	24 - 26	VH22/1AN8
112A5A12J31	24 - 26	VH22/1AN8
112A5A12J32	24 - 26	VH22/1AN8
112A5A12J33	24 - 26	VH22/1AN8
112A5A12J34	24 - 26	VH22/1AN8
112A5A12J35	24 - 26	VH22/1AN8
112A5A12J36	24 - 26	VH22/1AN8
112A5A12J37	24 - 26	VH22/1AN8
112A5A12J38	24 - 26	VH22/1AN8
112A5A12J39	24 - 26	VH22/1AN8
112A5A12J4	24 - 26	VH22/1AN8
112A5A12J40	24 - 26	VH22/1AN8
112A5A12J41	24 - 26	VH22/1AN8
112A5A12J42	24 - 26	VH22/1AN8
112A5A12J43	24 - 26	VH22/1AN8
112A5A12J44	24 - 26	VH22/1AN8
112A5A12J45	24 - 26	VH22/1AN8
112A5A12J46	24 - 26	VH22/1AN8
112A5A12J47	24 - 26	VH22/1AN8
112A5A12J48	24 - 26	VH22/1AN8
112A5A12J49	24 - 26	VH22/1AN8
112A5A12J5	24 - 26	VH22/1AN8
112A5A12J50	24 - 26	VH22/1AN8
112A5A12J51	24 - 28	PT07SE18-11P
112A5A12J52	24 - 29	PT07SE14-19S
112A5A12J53	24 - 30	PT07SE22-55S
112A5A12J54	24 - 31	PT07SE22-55SW
112A5A12J55	24 - 33	PT07SE22-55P
112A5A12J56	24 - 34	PT07SE22-55PW
112A5A12J57	24 - 35	PT07SE22-55PX
112A5A12J58	24 - 36	PT07SE22-55PY
112A5A12J59	24 - 32	PT07SE18-32S
112A5A12J6	24 - 26	VH22/1AN8
112A5A12J7	24 - 26	VH22/1AN8
112A5A12J8	24 - 26	VH22/1AN8
112A5A12J9	24 - 26	VH22/1AN8
112A5A13	20 - 10	02-724633-1
112A5A2	20 - 2	82-724636-1
112A5A3	20 - 5	02-728320-1
112A5A3A1	21 - 7	32-728714-1
112A5A3A10	21 - 10	32-741157-1
112A5A3A11	21 - 9	32-724054-1
112A5A3A12	21 - 9	32-724054-1
112A5A3A12	21 - 12	32-725360-1
112A5A3A13	21 - 13	32-724055-1
112A5A3A14	21 - 14	32-724135-1
112A5A3A15	21 - 13	32-724055-1
112A5A3A16	21 - 13	32-724055-1
112A5A3A17	21 - 14	32-724135-1
112A5A3A18	21 - 9	32-724054-1
112A5A3A19	21 - 10	32-741157-1
112A5A3A2	21 - 8	32-725388-1
112A5A3A20	21 - 9	32-724054-1
112A5A3A21	21 - 9	32-724054-1
112A5A3A22	21 - 14	32-724135-1
112A5A3A23	21 - 10	32-741157-1
112A5A3A24	21 - 10	32-741157-1
112A5A3A25	21 - 14A	32-724369-4
112A5A3A26	21 - 9	32-724054-1
112A5A3A27	21 - 9	32-724054-1
112A5A3A28	21 - 10	32-741157-1
112A5A3A29	21 - 9	32-724054-1

REFERENCE DESIGNATION	FIG. AND INDEX NO.	MFR PART NUMBER
112A5A3A3	21 - 9	32-724054-1
112A5A3A30	21 - 9	32-724054-1
112A5A3A31	21 - 9	32-724054-1
112A5A3A32	21 - 10	32-741157-1
112A5A3A34	21 - 11	32-726843-1
112A5A3A35	21 - 10	32-741157-1
112A5A3A36	21 - 10	32-741157-1
112A5A3A37	21 - 11	32-726843-1
112A5A3A38	21 - 10	32-741157-1
112A5A3A39	21 - 11	32-726843-1
112A5A3A4	21 - 10	32-741157-1
112A5A3A40	21 - 10	32-741157-1
112A5A3A41	21 - 10	32-741157-1
112A5A3A42	21 - 11	32-726843-1
112A5A3A43	21 - 10	32-741157-1
112A5A3A44	21 - 11	32-726843-1
112A5A3A45	21 - 10	32-741157-1
112A5A3A46	21 - 11	32-726843-1
112A5A3A47	21 - 10	32-741157-1
112A5A3A48	21 - 11	32-726843-1
112A5A3A49	21 - 10	32-741157-1
112A5A3A5	21 - 11	32-726843-1
112A5A3A50	21 - 11	32-726843-1
112A5A3A6	21 - 8	32-725388-1
112A5A3A8	21 - 10	32-741157-1
112A5A3A9	21 - 9	32-724054-1
112A5A3FL1	21 - 33	FA7022
112A5A3J1	21 - 32	VH22/1AN8
112A5A3J10	21 - 32	VH22/1AN8
112A5A3J11	21 - 32	VH22/1AN8
112A5A3J12	21 - 32	VH22/1AN8
112A5A3J13	21 - 32	VH22/1AN8
112A5A3J14	21 - 32	VH22/1AN8
112A5A3J15	21 - 32	VH22/1AN8
112A5A3J16	21 - 32	VH22/1AN8
112A5A3J17	21 - 32	VH22/1AN8
112A5A3J18	21 - 32	VH22/1AN8
112A5A3J19	21 - 32	VH22/1AN8
112A5A3J2	21 - 32	VH22/1AN8
112A5A3J20	21 - 32	VH22/1AN8
112A5A3J21	21 - 32	VH22/1AN8
112A5A3J22	21 - 32	VH22/1AN8
112A5A3J23	21 - 32	VH22/1AN8
112A5A3J24	21 - 32	VH22/1AN8
112A5A3J25	21 - 32	VH22/1AN8
112A5A3J26	21 - 32	VH22/1AN8
112A5A3J27	21 - 32	VH22/1AN8
112A5A3J28	21 - 32	VH22/1AN8
112A5A3J29	21 - 32	VH22/1AN8
112A5A3J3	21 - 32	VH22/1AN8
112A5A3J30	21 - 32	VH22/1AN8
112A5A3J31	21 - 32	VH22/1AN8
112A5A3J32	21 - 32	VH22/1AN8
112A5A3J33	21 - 32	VH22/1AN8
112A5A3J34	21 - 32	VH22/1AN8
112A5A3J35	21 - 32	VH22/1AN8
112A5A3J36	21 - 32	VH22/1AN8
112A5A3J37	21 - 32	VH22/1AN8
112A5A3J38	21 - 32	VH22/1AN8
112A5A3J39	21 - 32	VH22/1AN8
112A5A3J4	21 - 32	VH22/1AN8
112A5A3J40	21 - 32	VH22/1AN8
112A5A3J41	21 - 32	VH22/1AN8
112A5A3J42	21 - 32	VH22/1AN8
112A5A3J43	21 - 32	VH22/1AN8
112A5A3J44	21 - 32	VH22/1AN8
112A5A3J45	21 - 32	VH22/1AN8
112A5A3J46	21 - 32	VH22/1AN8
112A5A3J47	21 - 32	VH22/1AN8
112A5A3J48	21 - 32	VH22/1AN8
112A5A3J49	21 - 32	VH22/1AN8
112A5A3J5	21 - 32	VH22/1AN8
112A5A3J50	21 - 32	VH22/1AN8
112A5A3J51	21 - 34	PT07SE18-11P
112A5A3J52	21 - 35	PT07SE22-55S
112A5A3J53	21 - 36	PT07SE18-32S
112A5A3J54	21 - 37	PT07SE12-10P
112A5A3J6	21 - 32	VH22/1AN8
112A5A3J7	21 - 32	VH22/1AN8
112A5A3J8	21 - 32	VH22/1AN8

REFERENCE DESIGNATION	FIG. AND INDEX NO.	MFR PART NUMBER
112A5A3J9	21 - 32	VH22/1AN8
112A5A4	20 - 3	82-724089-1
112A5A5	20 - 5	SAME AS 112A5A3
112A5A6	20 - 4	82-724090-1
112A5A7	20 - 6	02-728311-1
112A5A7J1	22 - 9	PT07SE18-11PZ
112A5A7J10	22 - 11	PT07SE18-11S
112A5A7J11	22 - 11	PT07SE18-11S
112A5A7J12	22 - 11	PT07SE18-11S
112A5A7J2	22 - 10	PT07SE18-11P
112A5A7J3	22 - 11	PT07SE18-11S
112A5A7J4	22 - 11	PT07SE18-11S
112A5A7J5	22 - 11	PT07SE18-11S
112A5A7J6	22 - 11	PT07SE18-11S
112A5A7J7	22 - 11	PT07SE18-11S
112A5A7J8	22 - 11	PT07SE18-11S
112A5A7J9	22 - 11	PT07SE18-11S
112A5A7TB1	22 - 6	602GMF2202-18MS602-18GMG
112A5A8	20 - 7	02-728326-1
112A5A8A1	21 - 15	32-725388-1
112A5A8A10	21 - 16	32-741157-1
112A5A8A11	21 - 17	32-724054-1
112A5A8A12	21 - 17	32-724054-1
112A5A8A13	21 - 17	32-724054-1
112A5A8A14	21 - 19	32-724135-1
112A5A8A15	21 - 16	32-741157-1
112A5A8A16	21 - 17	32-724054-1
112A5A8A17	21 - 16	32-741157-1
112A5A8A18	21 - 17	32-724054-1
112A5A8A19	21 - 17	32-724054-1
112A5A8A2	21 - 16	32-741157-1
112A5A8A20	21 - 16	32-741157-1
112A5A8A21	21 - 17	32-724054-1
112A5A8A22	21 - 16	32-741157-1
112A5A8A23	21 - 17	32-724054-1
112A5A8A24	21 - 16	32-741157-1
112A5A8A25	21 - 17	32-724054-1
112A5A8A26	21 - 22A	32-724369-4
112A5A8A27	21 - 21	32-728661-1
112A5A8A28	21 - 20	32-737247-4
112A5A8A29	21 - 20	32-737247-4
112A5A8A3	21 - 17	32-724054-1
112A5A8A30	21 - 20	32-737247-4
112A5A8A31	21 - 20	32-737247-4
112A5A8A32	21 - 16	32-741157-1
112A5A8A33	21 - 16	32-741157-1
112A5A8A34	21 - 17	32-724054-1
112A5A8A35	21 - 16	32-741157-1
112A5A8A36	21 - 16	32-741157-1
112A5A8A37	21 - 17	32-724054-1
112A5A8A38	21 - 16	32-741157-1
112A5A8A39	21 - 16	32-741157-1
112A5A8A4	21 - 17	32-724054-1
112A5A8A40	21 - 17	32-724054-1
112A5A8A41	21 - 16	32-741157-1
112A5A8A42	21 - 22	32-728649-1
112A5A8A46	21 - 16	32-741157-1
112A5A8A47	21 - 15	32-725388-1
112A5A8A48	21 - 17	32-724054-1
112A5A8A49	21 - 17	32-724054-1
112A5A8A5	21 - 16	32-741157-1
112A5A8A6	21 - 16	32-741157-1
112A5A8A7	21 - 15	32-725388-1
112A5A8A8	21 - 18	32-725360-1
112A5A8A9	21 - 16	32-741157-1
112A5A8FL1	21 - 33	FA7022
112A5A8J1	21 - 32	VH22/1AN8
112A5A8J10	21 - 32	VH22/1AN8
112A5A8J11	21 - 32	VH22/1AN8
112A5A8J12	21 - 32	VH22/1AN8
112A5A8J13	21 - 32	VH22/1AN8
112A5A8J14	21 - 32	VH22/1AN8
112A5A8J15	21 - 32	VH22/1AN8
112A5A8J16	21 - 32	VH22/1AN8
112A5A8J17	21 - 32	VH22/1AN8
112A5A8J18	21 - 32	VH22/1AN8
112A5A8J19	21 - 32	VH22/1AN8
112A5A8J2	21 - 32	VH22/1AN8
112A5A8J20	21 - 32	VH22/1AN8
112A5A8J21	21 - 32	VH22/1AN8

REFERENCE DESIGNATION	FIG. AND INDEX NO.	MFR PART NUMBER
112A5A8J22	21 - 32	VH22/1AN8
112A5A8J23	21 - 32	VH22/1AN8
112A5A8J24	21 - 32	VH22/1AN8
112A5A8J25	21 - 32	VH22/1AN8
112A5A8J26	21 - 32	VH22/1AN8
112A5A8J27	21 - 32	VH22/1AN8
112A5A8J28	21 - 32	VH22/1AN8
112A5A8J29	21 - 32	VH22/1AN8
112A5A8J3	21 - 32	VH22/1AN8
112A5A8J30	21 - 32	VH22/1AN8
112A5A8J31	21 - 32	VH22/1AN8
112A5A8J32	21 - 32	VH22/1AN8
112A5A8J33	21 - 32	VH22/1AN8
112A5A8J34	21 - 32	VH22/1AN8
112A5A8J35	21 - 32	VH22/1AN8
112A5A8J36	21 - 32	VH22/1AN8
112A5A8J37	21 - 32	VH22/1AN8
112A5A8J38	21 - 32	VH22-1AN8
112A5A8J39	21 - 32	VH22/1AN8
112A5A8J4	21 - 32	VH22/1AN8
112A5A8J40	21 - 32	VH22/1AN8
112A5A8J41	21 - 32	VH22/1AN8
112A5A8J42	21 - 32	VH22/1AN8
112A5A8J43	21 - 32	VH22/1AN8
112A5A8J44	21 - 32	VH22/1AN8
112A5A8J45	21 - 32	VH22/1AN8
112A5A8J46	21 - 32	VH22/1AN8
112A5A8J47	21 - 32	VH22/1AN8
112A5A8J48	21 - 32	VH22/1AN8
112A5A8J49	21 - 32	VH22/1AN8
112A5A8J5	21 - 32	VH22/1AN8
112A5A8J50	21 - 32	VH22/1AN8
112A5A8J51	21 - 34	PT07SE18-11P
112A5A8J52	21 - 38	PT07SE22-55P
112A5A8J53	21 - 39	PT07SE18-32P
112A5A8J54	21 - 40	PT07SE18-32PW
112A5A8J6	21 - 32	VH22/1AN8
112A5A8J7	21 - 32	VH22/1AN8
112A5A8J8	21 - 32	VH22/1AN8
112A5A8J9	21 - 32	VH22/1AN8
112A5A9	20 - 3	82-724089-1
131A1	2 - 7	2470667G1
131A1A1	3 - 1	2273254G1
131A1A10	3 - 19	2470596G1
131A1A11	3 - 20	02-727821-1
131A1A11A1	6 - 17	32-726825-1
131A1A11A2	6 - 17	32-726825-1
131A1A11A3	6 - 17	32-726825-1
131A1A11A4	6 - 17	32-726825-1
131A1A11A5	6 - 17	32-726825-1
131A1A11A6	6 - 17	32-726825-1
131A1A11A7	6 - 18	32-724053-1
131A1A11A8	6 - 18	32-724053-1
131A1A11A9	6 - 18	32-724053-1
131A1A11FL1	6 - 13	FA7022
131A1A11F1	6 - 3	MS90078-27
131A1A11J1	6 - 15	VH22/1AN8
131A1A11J11	6 - 19	PT07SE22-55P
131A1A11J12	6 - 20	PT07SE18-11P
131A1A11J13	6 - 21	PT07SE22-55S
131A1A11J14	6 - 22	FA-8946
131A1A11J2	6 - 15	VH22/1AN8
131A1A11J3	6 - 15	VH22/1AN8
131A1A11J4	6 - 15	VH22/1AN8
131A1A11J5	6 - 15	VH22/1AN8
131A1A11J6	6 - 15	VH22/1AN8
131A1A11J7	6 - 15	VH22/1AN8
131A1A11J8	6 - 15	VH22/1AN8
131A1A11J9	6 - 15	VH22/1AN8
131A1A11TB12	6 - 12	600GMFST8SIM600-8GMG
131A1A11XFL1	6 - 4	HKT
131A1A12	3 - 22	F-A8946
131A1A13	3 - 21	SAME AS 102A5A12
131A1A14	3 - 23	SAME AS 102A5A13
131A1A15	3 - 18	F-A8947
131A1A2	3 - 2	UNIT 15
131A1A3	3 - 4	89-724614-3
131A1A3TB1	4 - 3	600GMFST4SIMS600-4GMG
131A1A4	3 - 5	A-S8646

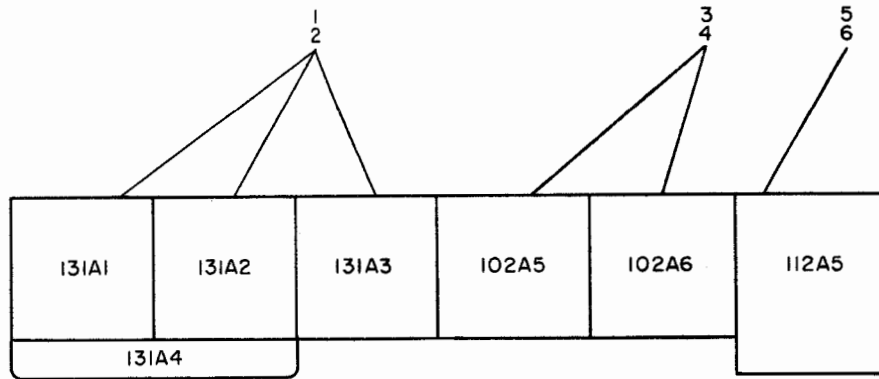


REFERENCE DESIGNATION	FIG. AND INDEX NO.	MFR PART NUMBER
131A1A5	3 - 6	D-A10292
131A1A6	3 - 7	F-A8734
131A1A7	3 - 3	F-A8251
131A1A8	3 - 8	2470594G1
131A1A9	3 - 9	02-728318-1
131A1A9A1	5 - 15	640914A3
131A1A9A1DS1	5 - 14	MS25237-327
131A1A9A1DS10	5 - 14	MS25237-327
131A1A9A1DS2	5 - 14	MS25237-327
131A1A9A1DS3	5 - 14	MS25237-327
131A1A9A1DS4	5 - 14	MS25237-327
131A1A9A1DS5	5 - 14	MS25237-327
131A1A9A1DS6	5 - 14	MS25237-327
131A1A9A1DS7	5 - 14	MS25237-327
131A1A9A1DS8	5 - 14	MS25237-327
131A1A9A1DS9	5 - 14	MS25237-327
131A1A9A2	5 - 15	640914A3
131A1A9A2DS1	5 - 14	MS25237-327
131A1A9A2DS10	5 - 14	MS25237-327
131A1A9A2DS2	5 - 14	MS25237-327
131A1A9A2DS3	5 - 14	MS25237-327
131A1A9A2DS4	5 - 14	MS25237-327
131A1A9A2DS5	5 - 14	MS25237-327
131A1A9A2DS6	5 - 14	MS25237-327
131A1A9A2DS7	5 - 14	MS25237-327
131A1A9A2DS8	5 - 14	MS25237-327
131A1A9A2DS9	5 - 14	MS25237-327
131A1A9DS1	5 - 7	MS25237-327
131A1A9DS10	5 - 7	MS25237-327
131A1A9DS11	5 - 7	MS25237-327
131A1A9DS12	5 - 7	MS25237-327
131A1A9DS19	5 - 22	9608
131A1A9DS2	5 - 7	MS25237-327
131A1A9DS20	5 - 22	9608
131A1A9DS3	5 - 7	MS25237-327
131A1A9DS4	5 - 7	MS25237-327
131A1A9DS5	5 - 7	MS25237-327
131A1A9DS6	5 - 7	MS25237-327
131A1A9DS7	5 - 7	MS25237-327
131A1A9DS8	5 - 7	MS25237-327
131A1A9DS9	5 - 7	MS25237-327
131A1A9FL1	5 - 20	FA7022
131A1A9FL2	5 - 20	FA7022
131A1A9J1	5 - 24	PT07SE18-11P
131A1A9J2	5 - 25	PT07SE22-55P
131A1A9R1	5 - 21	RV4NAYS501A
131A1A9S1	5 - 6	1028-62
131A1A9S2	5 - 6	1028-62
131A1A9S3	5 - 6	1028-62
131A1A9S4	5 - 6	1028-62
131A1A9S5	5 - 9	1028-64
131A1A9S6	5 - 8	1028-67
131A1A9XDS1	5 - 10	VM910M66
131A1A9XDS10	5 - 11	VM910M68
131A1A9XDS11	5 - 11	VM910M68
131A1A9XDS12	5 - 11	VM910M68
131A1A9XDS2	5 - 10	VM910M66

REFERENCE DESIGNATION	FIG. AND INDEX NO.	MFR PART NUMBER
131A1A9XDS3	5 - 10	VM910M66
131A1A9XDS4	5 - 10	VM910M66
131A1A9XDS5	5 - 10	VM910M66
131A1A9XDS6	5 - 10	VM910M66
131A1A9XDS7	5 - 10	VM910M66
131A1A9XDS8	5 - 10	VM910M66
131A1A9XDS9	5 - 11	VM910M68
131A2	2 - 8	2470689G1
131A2A1	9 - 1	2291251G1
131A2A2	9 - 2	2290409G1
131A2A3	9 - 3	2290789G1
131A2A4	9 - 5	2290005G1
131A2A5	9 - 7	01-801600-111
131A2A6	9 - 4	2292887G1
131A2A7	9 - 8	M2EB412AR28
131A3	2 - 9	2349732G1
131A3A1	10 - 1	SAME AS 102A5A1
131A3A2	10 - 2	82-724571-1
131A3A3	10 - 3	2470595G1
131A3A4	10 - 4	02-728316-1
131A3A4DS1	12 - 4	MS25237-327
131A3A4DS2	12 - 4	MS25237-327
131A3A4DS3	12 - 4	MS25237-327
131A3A4DS4	12 - 4	MS25237-327
131A3A4DS5	12 - 4	MS25237-327
131A3A4DS6	12 - 4	MS25237-327
131A3A4DS7	12 - 4	MS25237-327
131A3A4DS8	12 - 4	MS25237-327
131A3A4DS9	12 - 4	MS25237-327
131A3A4FL1	12 - 11	FA7022
131A3A4FL2	12 - 11	FA7022
131A3A4J1	12 - 15	PT07SE18-11P
131A3A4J2	12 - 16	PT07SE18-32S
131A3A4R1	12 - 12	RC206F221J
131A3A4S1	12 - 8	2PB12T2
131A3A4S2	12 - 7	1028-68
131A3A4S3	12 - 7	1028-68
131A3A4S4	12 - 7	1028-68
131A3A4S5	12 - 7	1028-68
131A3A4S6	12 - 7	1028-68
131A3A4XDS1	12 - 5	VM910M66
131A3A4XDS2	12 - 5	VM910M66
131A3A4XDS3	12 - 5	VM910M66
131A3A4XDS4	12 - 5	VM910M66
131A3A4XDS5	12 - 5	VM910M66
131A3A4XDS6	12 - 6	VM910M68
131A3A4XDS7	12 - 6	VM910M68
131A3A4XDS8	12 - 6	VM910M68
131A3A4XDS9	12 - 6	VM910M68
131A3A5	10 - 5	KSR-285
131A3A6	10 - 15	82-724090-1
131A3A7	10 - 16	91920062
131A3A8	10 - 17	2470102G1
131A3A9	10 - 18	SAME AS 102A5A13
131A4	2 - 1	84-802927-7



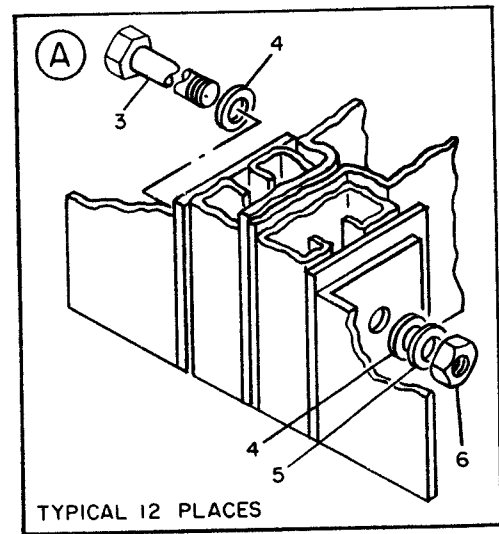
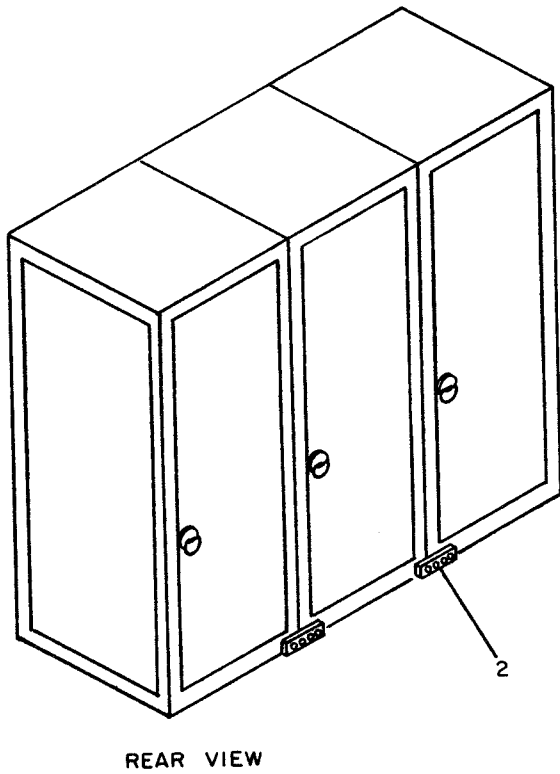
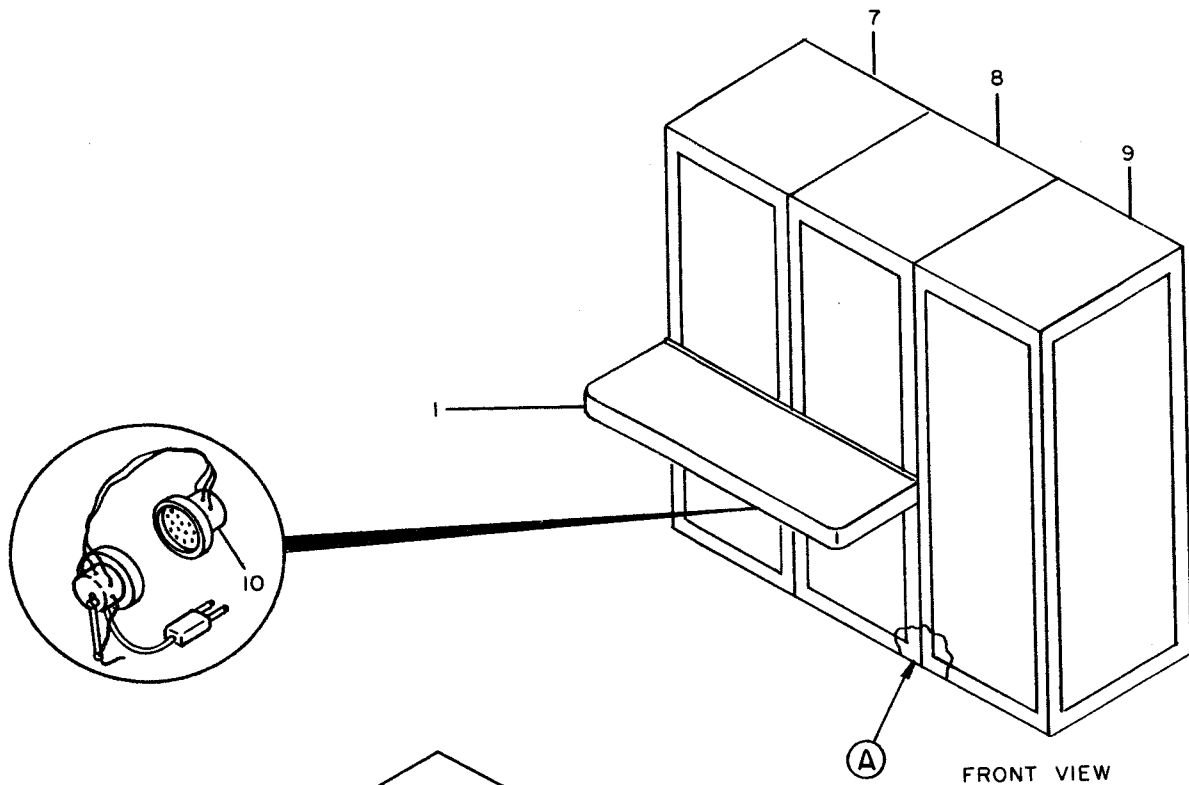
## SECTION IV GROUP ASSEMBLY PARTS LIST



31R1-2GRA96-4-1

Figure 1. Communication Control Group AN/GRA-96

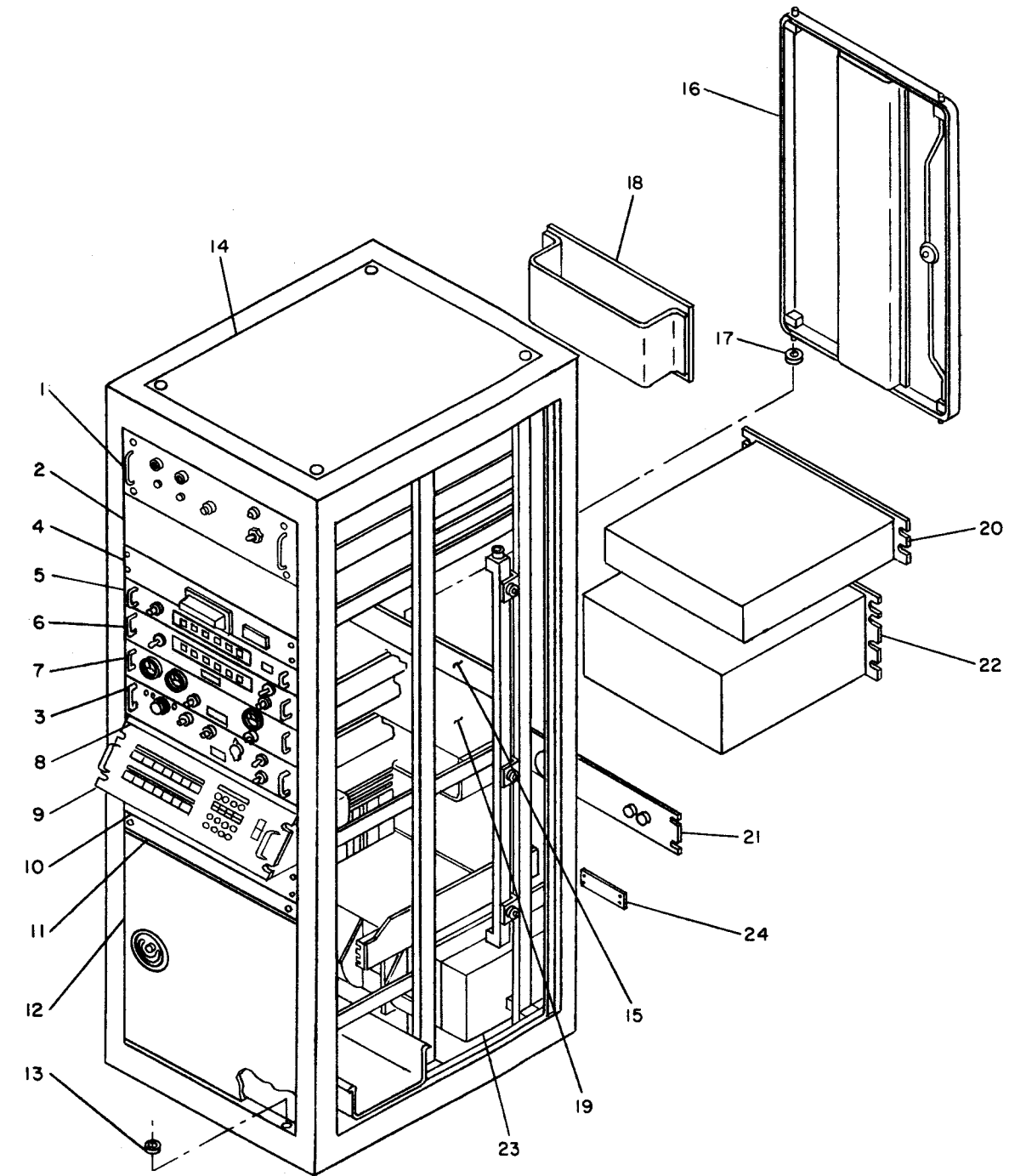
FIG. AND INDEX NO.	MFR PART NUMBER	DESCRIPTION	MFR CODE	UNITS PER ASSY	USABLE ON CODE
1 -	2471095G1	COMMUNICATION CONTROL GROUP AN/GRA-96		1	
- 1	2472460-17	. PLATE, UNIT DESIGNATION		1	
	2472460-18	. PLATE, UNIT DESIGNATION		1	
	2472460-19	. PLATE, UNIT DESIGNATION		1	
- 2	NO NUMBER	. SERVICER CONSOLE, DIRECTION FINDING SEE FIG. 2		1	
- 3	2472460-1	. PLATE, UNIT DESIGNATION		1	
	2472460-2	. PLATE, UNIT DESIGNATION		1	
- 4	NO NUMBER	. ACCESSORY CONSOLE, DIRECTION FINDING SEE FIG. 13		1	
- 5	2470460-13	. PLATE, UNIT DESIGNATION		1	
- 6	2349737G3	. COMMUNICATION CONTROL GROUP SEE FIG. 20		1	



31R1-2GRA96-4-2

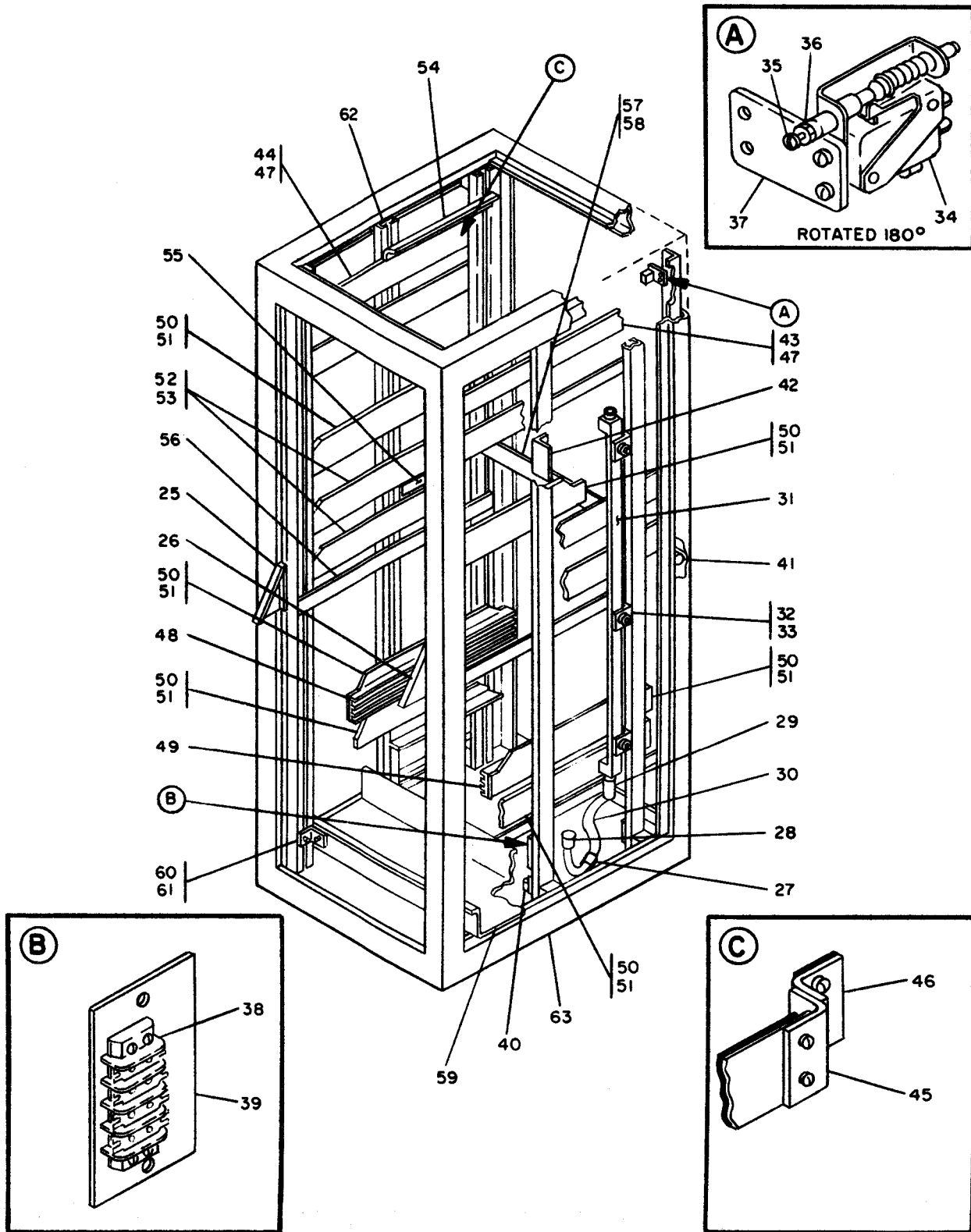
Figure 2. Direction Finding Servicer Console

FIG. AND INDEX NO.	MFR PART NUMBER	DESCRIPTION	MFR CODE	UNITS PER ASSY	USABLE ON CODE			
						1	2	3
2 -	NO NUMBER	. SERVICER CONSOLE, DIRECTION FINDING FOR NHA SEE FIG. 1-2		REF				
- 1	84-802927-7	. . DESK, WRITING, TWO-BAY ATTACHING PARTS		1				
	MS35307-306	. . SCREW		8				
	MS35338-139	. . WASHER		8				
	MS15795-810	. . WASHER		8				
		- - - * - - -						
- 2	83-724613-1	. . PLATE, SPLICE, GROUNDING ATTACHING PARTS		2				
	MS35309-303	. . SCREW		4				
	MS35338-101	. . WASHER		4				
	MS15795-910	. . WASHER		4				
		- - - * - - -						
- 3	MS35307-344	. . SCREW		12				
- 4	MS15795-812	. . WASHER		24				
- 5	MS35338-140	. . WASHER		12				
- 6	MS51971-2	. . NUT		12				
- 7	2470667G1	. . DIRECTION FINDER GROUP SEE FIG. 3		1				
- 8	2470689G1	. . CONTROL-INDICATOR GROUP SEE FIG. 9		1				
- 9	2349732G1	. . CONTROL-POWER SUPPLY GROUP SEE FIG. 10		1				
- 10	105560	. . HEAD SET-MICROPHONE PER 07397 DWG SPEC 12-802390-1	82872	1				



31R1-2GRA96-4-3

Figure 3. Direction Finder Group OA-8320/GRA-96 (Sheet 1 of 2)



31R1-2GRA96-4-4

Figure 3. Direction Finder Group OA-8320/GRA-96 (Sheet 2 of 2)

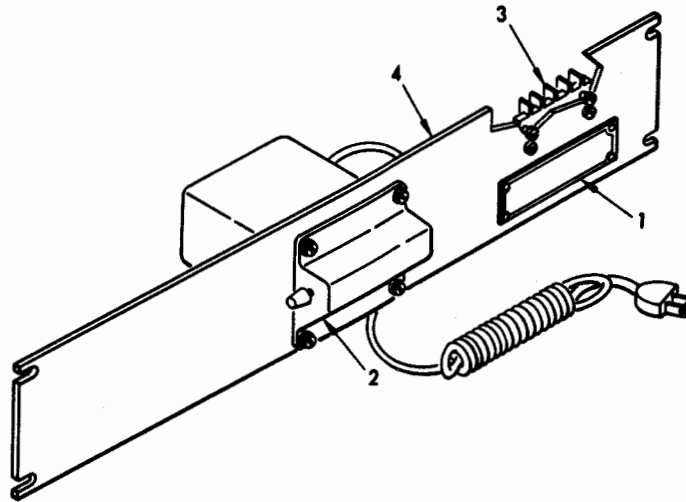
FIG. AND INDEX NO.	MFR PART NUMBER	DESCRIPTION	MFR CODE	UNITS PER ASSY	USABLE ON CODE
3 -	2470667G1	. . . DIRECTION FINDER GROUP OA-8320/GRA-96 FOR NHA SEE FIG. 2-7		REF	
- 1	2273254G1	. . . CHANNEL-WATCHER MODE SWITCH UNIT 9 FOR BREAKDOWN SEE NAVSHIPS 95744 TECHNICAL NAVAL DIRECTION FINDER SET AN/FRD-10A /V/ VOLUME 6 SECTION 7		1	
- 2	UNIT 15	. . . AUTOMATIC BEARING READOUT FOR BREAKDOWN SEE NAVSHIPS 95744		1	
- 3	F-A8251	. . . AMPLIFIER CONVERTER AM-4128/FRR-68 SEE T. O. 31R2-2FRR68-4		1	
		ATTACHING PARTS			
	MS51958-64	. . . SCREW		24	
	MS15795-808	. . . WASHER		24	
	NW10-4374	. . . WASHER, NONMETALLIC PER 07397 DWG SPEC 70-801753-2	95987	24	
- 4	89-724614-3	. . . CLOCK, DIRECT READING TD-702/FLR-9 /V/ SEE FIG. 4		1	
- 5	A-S8646	. . . INDICATOR, DIGITAL DISPLAY ID-1230/FRR-68 FOR BREAKDOWN SEE T. O. 31R2-2FRR68-4 NAVSHIPS 95744 TECHNICAL NAVAL DIRECTION FINDER SET AN/FRD-10A /V/ VOLUME 6 SECTION 7		1	
- 6	D-A10292	. . . COUNTER, FREQUENCY FR-169/FRR-68 FOR BREAKDOWN SEE T. O. 31R2-2FRR68-4		1	
- 7	F-A8734	. . . AMPLIFIER DETECTOR AM-4129/FRR-68 FOR BREAKDOWN SEE T. O. 31R2-2FRR 68-4		1	
- 8	2470594G1	. . . BEARING RETURN C-7331/GRA FOR BREAKDOWN SEE T. O. 31R1-2GRA-102		1	
- 9	02-728318-1	. . . CONTROL-INDICATOR C-6643/FLR-9 /V/ SEE FIG. 5		1	
		ATTACHING PARTS			
	MS51958-64	. . . SCREW		24	
	MS15795-808	. . . WASHER		24	
	NW10-4374	. . . WASHER, NONMETALLIC PER 07397 DWG SPEC 70-801753-2	95987	24	
- 10	01-801600-111	. . . PANEL, MOUNTING, WRITING DESK ATTACHING PARTS		1	
	MS51960-65	. . . SCREW		4	
- 11	01-801600-135	. . . PANEL, LOWER, WRITING DESK ATTACHING PARTS		1	
	MS51960-66	. . . SCREW		4	
- 12	01-801600-28	. . . DOOR, CABINET		1	
- 13	AN9608416	. . . WASHER		1	
- 14	2471055G1	. . . TOP CAP, CABINET ATTACHING PARTS		1	
	MS51960-69	. . . SCREW		4	
	MS15795-808	. . . WASHER		4	
	MS35338-138	. . . WASHER		4	
	MS35650-304	. . . NUT		4	
- 15	01-801600-66	. . . BAR, DIVIDER ATTACHING PARTS		1	
	MS51960-69	. . . SCREW		4	
- 16	01-801600-43	. . . DOOR, CABINET		1	
- 17	AN9608416	. . . WASHER		1	
- 18	F-A8947	. . . PANEL, SIGNAL DISTRIBUTION SB-2296/FRR-68 FOR BREAKDOWN SEE T. O. 31R2-2FRR68-4	36381	1	
		ATTACHING PARTS			
	MS51958-64	. . . SCREW		4	
	MS15795-808	. . . WASHER		4	
	NW10-4374	. . . WASHER, NONMETALLIC PER 07397 DWG SPEC 70-801753-2	95987	4	
- 19	2470596G1	. . . AMPLIFIER /DETECTOR, INTERMEDIATE FREQUENCY FOR BREAKDOWN SEE T. O. 31R1-2GRA96-12		1	
- 20	02-727821-1	. . . DIGITAL TO DIGITAL CONVERTER CV-1831/FLR-9 /V/ SEE FIG. 6		1	

FIG. AND INDEX NO.	MFR PART NUMBER	DESCRIPTION	MFR CODE	UNITS PER ASSY	USABLE ON CODE			
						1	2	3
3 - 21	89-724729-3	. . . METER, TIME TOTALIZING ME-271/FLR-9 /V/ SEE FIG. 7		1				
		ATTACHING PARTS						
	MS51958-64	. . . SCREW		12				
	MS15795-808	. . . WASHER		12				
	NW10-4374	. . . WASHER, NONMETALLIC PER 07397 DWG SPEC 70-801753-2	95987	12				
- 22	FA-8946	. . . POWER SUPPLY PP-4140/FRR-68 RECEIVER FOR BREAKDOWN SEE T. O. 31R2-2FRR68-4		1				
		ATTACHING PARTS						
	MS51958-64	. . . SCREW		8				
	MS15795-808	. . . WASHER		8				
	NW10-4374	. . . WASHER, NONMETALLIC PER 07397 DWG SPEC 70-801753-2	95987	8				
- 23	02-724633-1	. . . COOLER, AIR, ELECTRONIC EQUIPMENT HD-591/FLR-9 /V/ SEE FIG. 8		1				
		ATTACHING PARTS						
	MS51958-64	. . . SCREW		4				
	MS35338-138	. . . WASHER		4				
	MS15795-808	. . . WASHER		4				
- 24	2471070G26	. . . PLATE, IDENTIFICATION		1				
		ATTACHING PARTS						
	MS21318-8	. . . SCREW		4				
- 25	82-727689-1	. . . BRACKET, SUPPORT		1				
- 26	82-727689-2	. . . BRACKET, SUPPORT		1				
		ATTACHING PARTS						
	MS51958-63	. . . SCREW		4				
	MS35338-138	. . . WASHER		4				
	MS15795-808	. . . WASHER		4				
- 27	MS21919DG12	. . . CLAMP		1				
		ATTACHING PARTS						
	MS51957-48	. . . SCREW		1				
	MS35338-137	. . . WASHER		1				
	MS15795-807	. . . WASHER		1				
	81-726392-1	. . . WASHER, SQUARE		1				
	P4006-0832	. . . NUT GANG, CHANNEL PER 07397 DWG SPEC 70-801745-1	96195	1				
- 28	254	. . . CONNECTOR, ARMORED CABLE PER 07397 DWG SPEC 70-801870-1	59730	1				
- 29	323	. . . CLAMP, JUNCTION BOX PER 07397 DWG SPEC 19-801914-1	59730	1				
- 30	1/2	. . . CONDUIT, METAL, FLEXIBLE 1/2 IN. PER 07397 DWG SPEC 19-801862-1	78799	AR				
- 31	20GB603	. . . STRIP, AC DISTRIBUTION PER 07397 DWG SPEC 70-802104-1	79725	1				
		ATTACHING PARTS						
	MS51958-63	. . . SCREW		4				
	MS15795-808	. . . WASHER		4				
	MS35338-138	. . . WASHER		4				
	MS35650-304	. . . NUT		4				
- 32	81-727727-1	. . . BRACKET, DOUBLE ANGLE		4				
		ATTACHING PARTS						
	MS35307-314	. . . SCREW		4				
	MS15795-810	. . . WASHER		4				
	MS35338-139	. . . WASHER		4				
	P4006-1420	. . . NUT, GANG, CHANNEL PER 07397 DWG SPEC 70-801745-3	96195	4				
- 33	82-727657-1	. . . SPACER, EQUIPMENT MOUNTING RAIL		4				
	89-725815-1	. . . SWITCH ASSEMBLY, SENSITIVE		1				
		ATTACHING PARTS						
	MS51958-61	. . . SCREW		2				
	MS35338-138	. . . WASHER		2				
	MS15795-808	. . . WASHER		2				
- 34	MS16106-1	. . . SWITCH, SENSITIVE		1				
		ATTACHING PARTS						
	MS51957-27	. . . SCREW		2				
	MS35338-136	. . . WASHER		2				
	MS15795-805	. . . WASHER		2				

FIG. AND INDEX NO.	MFR PART NUMBER	DESCRIPTION	MFR CODE	UNITS PER ASSY	USABLE ON CODE			
						1	2	3
3 - 35	MS51957-33	. . . . SCREW		1				
- 36	MS35649-264	. . . . NUT		1				
- 37	89-724619-1	. . . . PLATE, SWITCH MOUNTING		1				
	89-726236-1	. . . . TERMINAL BOARD ASSEMBLY, AIR SWITCH		1				
		ATTACHING PARTS						
	MS51957-98	. . . . SCREW		2				
	MS15795-807	. . . . WASHER		2				
	MS35338-137	. . . . WASHER		2				
	P4006-0832	. . . . NUT, GANG CHANNEL PER 07397 DWG	96195	2				
		SPEC 70-801745-1						
- 38	600GMFST4-MS600-4	. . . . TERMINAL BOARD PER 07397 DWG	75382	1				
	GMC	SPEC 73-801825-14						
	4-14MMUUSMS14-4	. . . . TERMINAL BOARD PER 07397 DWG SPEC	00629	REF				
		73-801825-14						
	740-4-06-00613	. . . . TERMINAL BOARD PER 07397 DWG SPEC	88223	REF				
		73-801825-14						
		ATTACHING PARTS						
	MS51959-31	. . . . SCREW		4				
	MS15795-808	. . . . WASHER		4				
	MS35338-136	. . . . WASHER		4				
	MS35649-264	. . . . NUT		4				
- 39	82-726233-1	. . . . BRACKET, TERMINAL BOARD		1				
- 40	LSC2	. . . . CLAMP, CABLE PER 07397 DWG SPEC	06383	7				
		70-801797-1						
		ATTACHING PARTS						
	MS51957-48	. . . . SCREW		6				
	MS15795-807	. . . . WASHER		6				
	MS35338-137	. . . . WASHER		6				
	81-726392-1	. . . . WASHER		6				
	P4006-0832	. . . . NUT, GANG, CHANNEL PER 07397 DWG	96195	6				
		SPEC 70-801745-1						
- 41	LSC2	. . . . CLAMP, CABLE PER 07397 DWG	06383	8				
		SPEC 70-801797-1						
		ATTACHING PARTS						
	MS51958-61	. . . . SCREW		8				
	MS35338-138	. . . . WASHER		8				
	MS15795-808	. . . . WASHER		8				
- 42	2471985	. . . . BRACKET, MOUNTING		2				
		ATTACHING PARTS						
	MS35307-307	. . . . SCREW		4				
	MS15795-810	. . . . WASHER		4				
	MS35338-139	. . . . WASHER		4				
	81-726392-2	. . . . WASHER, SQUARE		4				
	P4006-1420	. . . . NUT, GANG, CHANNEL PER 07397 DWG	96195	4				
		SPEC 70-801745-3						
- 43	2249991G1	. . . . SLIDE		2				
- 44	2249991G2	. . . . SLIDE		2				
		ATTACHING PARTS						
	MS51958-63	. . . . SCREW		16				
	MS15795-808	. . . . WASHER		16				
	MS35338-138	. . . . WASHER		16				
	MS35650-304	. . . . NUT		16				
- 45	2471909	. . . . ANGLE, MOUNTING, CHASSIS SLIDES		4				
		ATTACHING PARTS						
	MS5198-63	. . . . SCREW		8				
	MS15795-808	. . . . WASHER		8				
	MS35338-138	. . . . WASHER		8				
	MS35650-304	. . . . NUT		8				
- 46	2471909	. . . . ANGLE, MOUNTING, CHASSIS SLIDES		8				
		ATTACHING PARTS						
	MS51958-63	. . . . SCREW		16				
	MS35338-138	. . . . WASHER		16				
	MS35650-304	. . . . NUT		16				
- 47	2471910	. . . . PLATE, MOUNTING, CHASSIS SLIDES		4				
		ATTACHING PARTS						
	MS35307-307	. . . . SCREW		16				
	MS15795-810	. . . . WASHER		16				
	MS35338-139	. . . . WASHER		16				
	P4006-1420	. . . . NUT, GANG, CHANNEL PER 07397 DWG	96195	16				
		SPEC 70-801745-3						



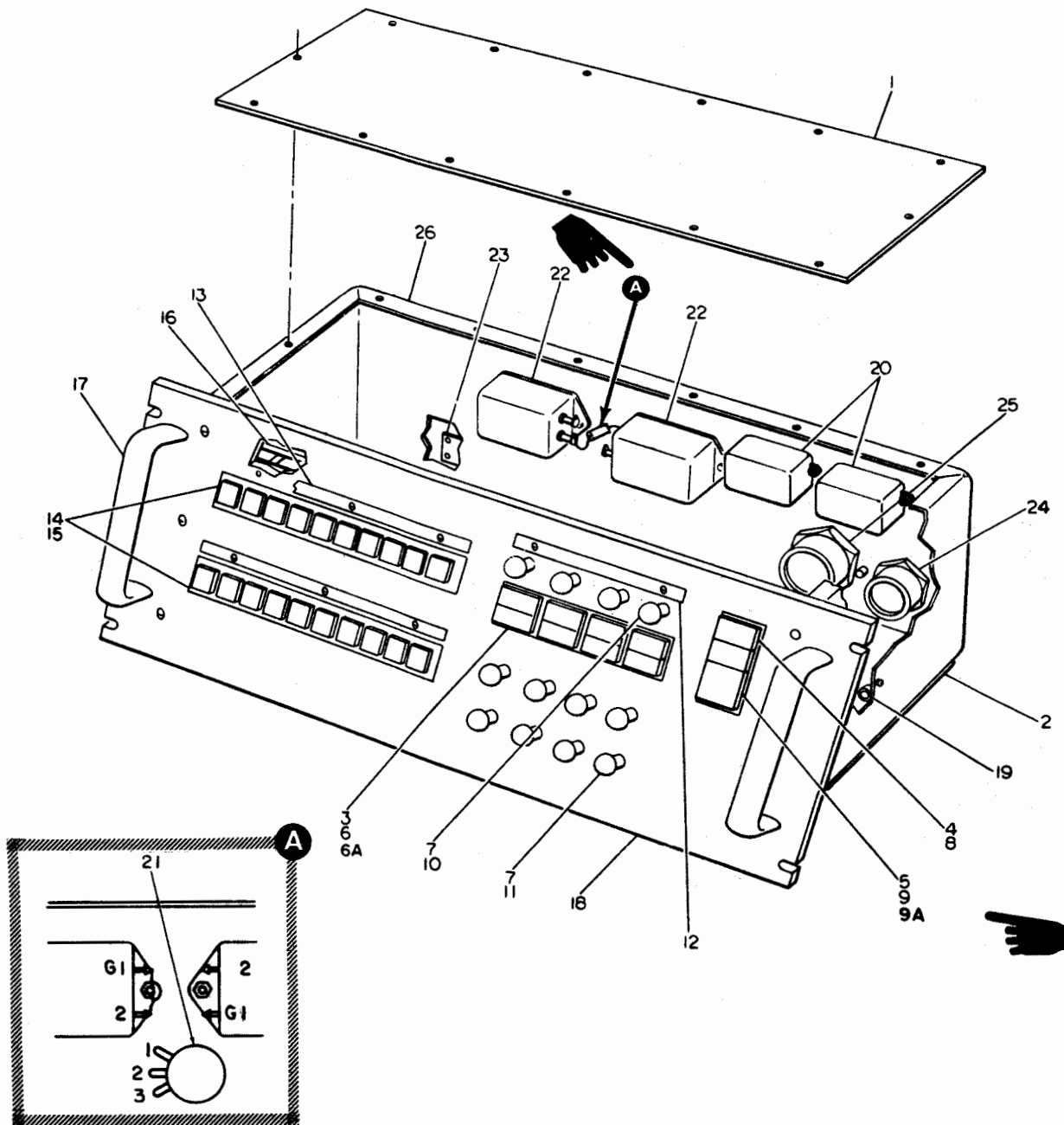
FIG. AND INDEX NO.	MFR PART NUMBER	DESCRIPTION	MFR CODE	UNITS PER ASSY	USABLE ON CODE			
						1	2	3
3 - 48	020071-1	. . . SLIDE, CHASSIS, LH PER 07397 DWG SPEC 84-801620-3	83508	1				
- 49	020071-2	. . . SLIDE, CHASSIS, RH PER 07397 DWG SPEC 84-801620-4	83508	1				
		ATTACHING PARTS						
	MS51959-46	. . . SCREW		10				
	MS51959-31	. . . SCREW		10				
	MS15795-805	. . . WASHER		10				
	MS35338-136	. . . WASHER		10				
	MS35649-264	. . . NUT		10				
- 50	81-727636-1	. . . PLATE, MOUNTING, CHASSIS SLIDES		6				
		ATTACHING PARTS						
	MS35307-314	. . . SCREW		12				
	MS15795-810	. . . WASHER		12				
	MS35338-139	. . . WASHER		12				
	P4006-1420	. . . NUT, GANG, CHANNEL PER 07397 DWG SPEC 70-801745-3	96195	12				
- 51	82-727657-1	. . . SPACER, EQUIPMENT MOUNTING RAIL		12				
- 52	234974761	. . . PLATE, MOUNTING, CHASSIS SLIDES		4				
		ATTACHING PARTS						
	MS35307-314	. . . SCREW		12				
	MS15795-810	. . . WASHER		12				
	MS35338-139	. . . WASHER		12				
	P4006-1420	. . . NUT, GANG, CHANNEL PER 07397 DWG SPEC 70-801745-3	96195	12				
- 53	82-727657-1	. . . SPACER, EQUIPMENT MOUNTING RAIL		12				
- 54	82-726403-2	. . . SUPPORT, CABLE		4				
- 55	81-728084-1	. . . BRACKET, CABLE RETAINER		3				
		ATTACHING PARTS						
	MS51957-48	. . . SCREW		14				
	MS15795-807	. . . WASHER		14				
	MS35338-137	. . . WASHER		14				
	P4006-0832	. . . NUT, GANG, CHANNEL PER 07397 SPEC DWG 70-801745-1	96195	14				
- 56	81-728084-3	. . . BRACKET, CABLE RETAINER		2				
		ATTACHING PARTS						
	MS51957-48	. . . SCREW		6				
	MS15795-807	. . . WASHER		6				
	MS35338-137	. . . WASHER		6				
	P4006-0832	. . . NUT, GANG, CHANNEL PER 07397 SPEC DWG 70-801745-1	96195	6				
- 57	81-728119-1	. . . BRACKET, CABLE SUPPORT		2				
		ATTACHING PARTS						
	MS35307-314	. . . SCREW		4				
	MS15795-810	. . . WASHER		4				
	MS35338-139	. . . WASHER		4				
	81-726392-2	. . . WASHER, SQUARE		4				
	P4006-1420	. . . NUT, GANG, CHANNEL PER 07397 SPEC DWG 70-801745-3	96195	4				
- 58	82-727657-1	. . . SPACER, EQUIPMENT MOUNTING RAIL		4				
- 59	81-727786-3	. . . RACK, CABLE, INTERIOR		1				
		ATTACHING PARTS						
	MS51958-64	. . . SCREW		2				
	MS15795-808	. . . WASHER		2				
	MS35338-138	. . . WASHER		2				
	MS35650-304	. . . NUT		2				
- 60	82-727787-1	. . . BRACKET, ANGLE, CABLE RACK		2				
		ATTACHING PARTS						
	MS35307-314	. . . SCREW		2				
	MS15795-810	. . . WASHER		2				
	MS35338-139	. . . WASHER		2				
	P4006-1420	. . . NUT, GANG, CHANNEL PER 07397 SPEC DWG 70-801745-3	96195	2				
- 61	82-727657-1	. . . SPACER		2				
- 62	MS35275-97	. . . SCREW		12				
- 63	247105462	. . . CABINET, ELECTRICAL EQUIPMENT		1				



31R1-2GRA96-4-5

Figure 4. Direct Reading Clock TD-702/FLR-9(V)

FIG. AND INDEX NO.	MFR PART NUMBER	DESCRIPTION	1 2 3 4 5 6 7 8 9									MFR CODE	UNITS PER ASSY	USABLE ON CODE
			1	2	3	4	5	6	7	8	9			
4 -	89-724614-3	. . . . . CLOCK, DIRECT READING TD-702/FLR-9 /V/ FOR NHA SEE FIG. 3-4												REF
- 1	74-725900-439	. . . . . PLATE, IDENTIFICATION												1
	MS21318-8	. . . . . ATTACHING PARTS SCREW												4
- 2	4216-10	. . . . . CLOCK, DIRECT READING PER 07397 DWG SPEC 25-801830-2											02005	1
	MS51957-31	. . . . . ATTACHING PARTS SCREW												4
	MS15795-805	. . . . . WASHER												4
	NAS1021C06	. . . . . NUT												4
- 3	600GMGST4SIMS600-4	. . . . . TERMINAL BOARD PER 07397											75382	1
	GMG	. . . . . DWG SPEC 73-801825-14												
	4-14MMUUSMS14-4	. . . . . TERMINAL BOARD PER 07397 DWG SPEC 73-801825-14											00629	REF
	740-4-06-00613	. . . . . TERMINAL BOARD PER 07397 DWG SPEC 73-801825-14											88223	REF
	MS51957-19	. . . . . ATTACHING PARTS SCREW												4
	MS15795-803	. . . . . WASHER												4
	NAS1021C04	. . . . . NUT												4
- 4	82-724615-1	. . . . . PANEL, BLANK												1

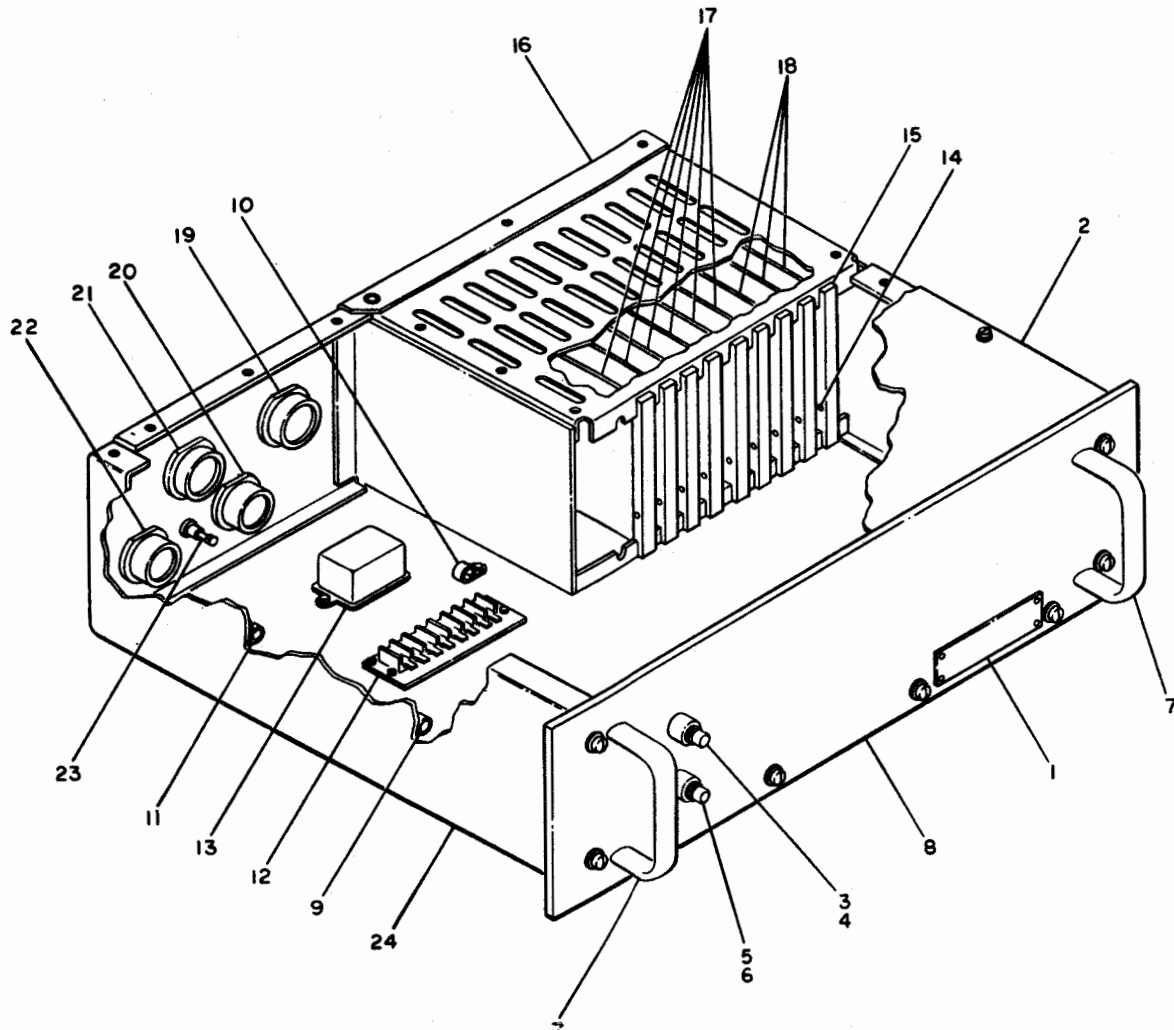


31R1-2GRA97-4-7

Figure 5. Control-Indicator C-6643/FLR-9 (V)

FIG. AND INDEX NO.	MFR PART NUMBER	DESCRIPTION	MFR CODE	UNITS PER ASSY	USABLE ON CODE			
						1	2	3
5 -	02-728318-1	. . . . . CONTROL-INDICATOR C-6643/FLR-9/V/ FOR NHA SEE FIG. 3-9			REF			
- 1	82-728696-1	. . . . . COVER, TOP			1			
- 2	82-728697-1	. . . . . COVER, BOTTOM			1			
		ATTACHING PARTS						
	12S1-12-18B	. . . . . FASTENER, POSITIVE LOCK PER 07397 DWG SPEC 70-802396-1	71286		30			
	5S3-2	. . . . . FASTENER, POSITIVE LOCK PER 07397 DWG SPEC 70-802396-3	71286		30			
		- - - * - - -						
- 3	86-724576-151	. . . . . LENS, INDICATOR LIGHT			4			
- 4	86-724576-152	. . . . . LENS, INDICATOR LIGHT			1			
- 5	86-724576-157	. . . . . LENS, INDICATOR LIGHT			1			
- 6	1028-62	. . . . . LIGHT-SWITCH PER 07397 DWG SPEC 02-801741-62	96182		4			
-6A	RC07GF102J	. . . . . RESISTOR			4			
- 7	MS25237-327	. . . . . LAMP, INCANDESCENT			12			
- 8	1028-67	. . . . . LIGHT-SWITCH PER 07397 DWG SPEC 02-801741-67	96182		1			
- 9	1028-64	. . . . . LIGHT-SWITCH PER 07397 DWG SPEC 02-801741-64	96182		1			
-9A	RC07GF102J	. . . . . RESISTOR			1			
- 10	VM910M66	. . . . . LIGHT, INDICATOR PER 07397 DWG SPEC 33-801856-1	72619		8			
	VM910M66	□ . . . . . LIGHT, INDICATOR PER 07397 DWG SPEC 33-801856-1	87034		REF			
- 11	VM910M68	. . . . . LIGHT, INDICATOR PER 07397 DWG SPEC 33-801856-3	72619		4			
	VM910M68	□ . . . . . LIGHT, INDICATOR PER 07397 DWG SPEC 33-801856-3	87034		REF			
- 12	94-728669-2	. . . . . HOLDER, CARD-LABEL			1			
		ATTACHING PARTS						
	MS51957-12	. . . . . SCREW			2			
	MS15795-803	. . . . . WASHER			2			
		- - - * - - -						
- 13	94-728669-3	. . . . . HOLDER, CARD-LABEL			2			
		ATTACHING PARTS						
	MS51957-12	. . . . . SCREW			6			
	MS15795-803	. . . . . WASHER			6			
		- - - * - - -						
- 14	MS25237-327	. . . . . LAMP, INCANDESCENT			20			
- 15	640914A3	. . . . . LIGHT-SWITCH PER 07397 DWG SPEC 02-802392-4	97564		2			
		ATTACHING PARTS						
	MS51959-30	. . . . . SCREW			14			
	MS15795-805	. . . . . WASHER			14			
	MS35338-136	. . . . . WASHER			14			
	MS35644-64	. . . . . NUT			14			
		- - - * - - -						
- 16	74-728719-2	. . . . . PLATE, IDENTIFICATION			1			
		ATTACHING PARTS						
	MS51957-29	. . . . . SCREW			2			
	MS15795-805	. . . . . WASHER			4			
	MS35338-136	. . . . . WASHER			4			
	1551G	. . . . . SPACER PER 07397 DWG SPEC 73-801802-2	88245		2			
		- - - * - - -						
- 17	2385-1	. . . . . HANDLE, BOW PER 07397 DWG SPEC 74-801832-1	71279		2			
		ATTACHING PARTS						
	MS51959-63	. . . . . SCREW			4			
- 18	82-728695-1	. . . . . PANEL, FRONT			1			
		ATTACHING PARTS						
	MS51957-46	. . . . . SCREW			6			
	MS15795-807	. . . . . WASHER			12			
	MS35338-137	. . . . . WASHER			6			
	MS35649-284	. . . . . NUT			6			
		- - - * - - -						
- 19	MS25281-9	. . . . . CLAMP			1			
		ATTACHING PARTS						
	MS51957-29	. . . . . SCREW			1			
	D6-167CC	. . . . . WASHER, SADDLE PER 07397 DWG SPEC 70-801798-3	95987		1			
	MS15795-805	. . . . . WASHER			1			
	MS35338-136	. . . . . WASHER			1			
	MS35649-264	. . . . . NUT			1			
		- - - * - - -						

FIG. AND INDEX NO.	MFR PART NUMBER	DESCRIPTION	MFR CODE	UNITS PER ASSY	USABLE ON CODE			
						1	2	3
5 - 20	FA7022	. . . . FILTER, RFI PER 07397 DWG SPEC 32-801855-2	04732	2				
		ATTACHING PARTS						
	MS51957-29	. . . . SCREW		4				
	MS15795-805	. . . . WASHER		4				
	MS35338-136	. . . . WASHER		4				
	MS35649-264	. . . . NUT		4				
		- - - * - - -						
- 21	RV4NAYS0501A	. . . . RESISTOR		1				
- 22	9608	. . . . BUZZER PER 07397 DWG SPEC 12-802297-1	80252	2				
		ATTACHING PARTS						
	MS51957-29	. . . . SCREW		4				
	MS15795-805	. . . . WASHER		4				
	MS35338-136	. . . . WASHER		4				
	MS35649-264	. . . . NUT		4				
		- - - * - - -						
- 23	74-725900-646	. . . . PLATE, IDENTIFICATION		1				
		ATTACHING PARTS						
	MS21318-7	. . . . SCREW		4				
		- - - * - - -						
	MS25251-16	. . . . PLUG, END SEAL		7				
	B16168CB01	. . . . CONTACT, ELECTRICAL PER 07397 DWG SPEC 73-802109-4	71468	4				
	0004-065-000	□ . . . . CONTACT, ELECTRICAL PER 07397 DWG SPEC 73-802109-4	11139	REF				
- 24	PT07SE18-11P	. . . . CONNECTOR, RECEPTACLE, ELECTRICAL PER 07397 DWG SPEC 73-802019-115	77820	1				
	KPTM07E18-11PF120	□ . . . . CONNECTOR, RECEPTACLE, ELECTRICAL PER 07397 DWG SPEC 73-802019-115	71468	REF				
	MS25251-20	. . . . PLUG, END SEAL		3				
	B2020PBA01	. . . . CONTACT, ELECTRICAL PER 07397 DWG SPEC 73-802109-2	71468	52				
	0004-058-000	□ . . . . CONTACT, ELECTRICAL PER 07397 DWG SPEC 73-802109-2	11139	REF				
- 25	PT07SE22-55P	. . . . CONNECTOR, RECEPTACLE, ELECTRICAL PER 07397 DWG SPEC 73-802019-203	77820	1				
	KPTM07E22-55PF120	□ . . . . CONNECTOR, RECEPTACLE, ELECTRICAL PER 07397 DWG SPEC 73-802019-203	71468	REF				
- 26	82-728694-1	. . . . CHASSIS, ELECTRICAL EQUIPMENT		1				



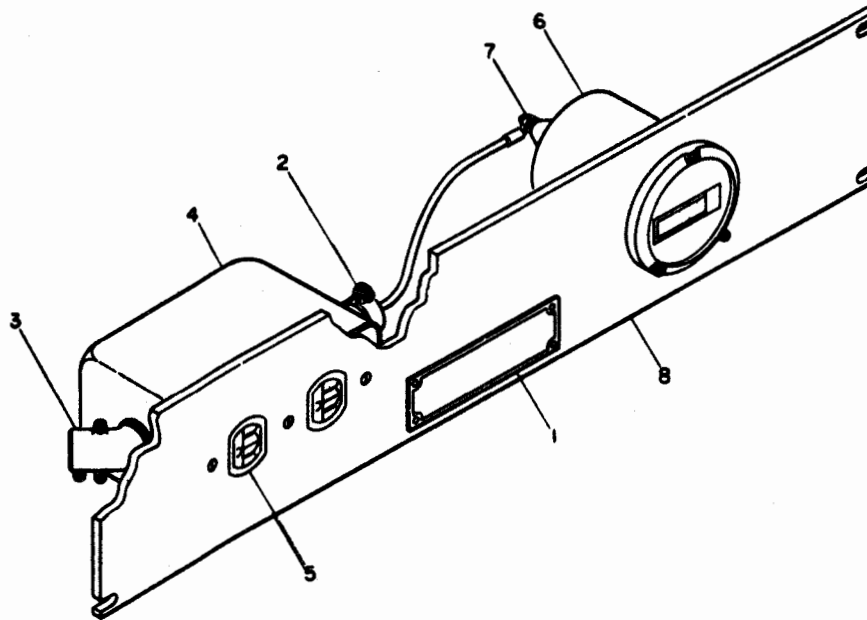
31R1-2GRA96-4-7

Figure 6. Digital to Digital Converter CV-1831/FLR-9(V)

FIG. AND INDEX NO.	MFR PART NUMBER	DESCRIPTION	MFR CODE	UNITS PER ASSY	USABLE ON CODE			
						1	2	3
6 -	02-727821-1	. . . . DIGITAL TO DIGITAL CONVERTER CV-1831/FLR-9/V/ FOR NHA SEE FIG. 3-20			REF			
- 1	74-725900-493	. . . . PLATE, IDENTIFICATION			1			
	MS21318-8	ATTACHING PARTS . . . . SCREW			4			
- 2	82-726806-1	. . . . COVER, TOP			1			
	MS51957-28	ATTACHING PARTS . . . . SCREW			21			
	MS15795-805	. . . . WASHER			21			
- 3	MS90078-27	. . . . FUSE			1			
- 4	HKT	. . . . FUSEHOLDER PER 07397 DWG SPEC 73-801843-1	71400		1			
- 5	MS90078-27	. . . . FUSE, SPARE			1			
- 6	HKT	. . . . FUSEHOLDER, SPARE PER 07397 DWG SPEC 73-801843-1	71400		1			
- 7	2385-1	. . . . HANDLE, BOW PER 07397 DWG SPEC 74-801832-1	71279		2			
	MS51957-63	ATTACHING PARTS . . . . SCREW			4			
	MS95338-138	. . . . WASHER			4			
	MS15795-808	. . . . WASHER			4			
- 8	82-727876-1	. . . . PANEL, BLANK			1			
	MS51957-46	ATTACHING PARTS . . . . SCREW			8			
	MS15795-807	. . . . WASHER			8			
- 9	MS25281-2	. . . . CLAMP, LOOP			1			
- 10	MS25281-6	. . . . CLAMP, LOOP			1			
- 11	MS25281-10	. . . . CLAMP, LOOP			1			
	MS51959-30	ATTACHING PARTS . . . . SCREW			3			
	D167CC	. . . . WASHER, SADDLE PER 07397 DWG SPEC 70-801798-7	95987		3			
	MS15795-805	. . . . WASHER			3			
	NAS679C06M	. . . . NUT			3			
- 12	600GMFST8S1MS600-8	. . . . TERMINAL BOARD PER 07397 DWG SPEC 73-801825-15	75382		1			
	8-14MMUUSMS14-4	. . . . TERMINAL BOARD PER 07397 DWG SPEC 73-801825-15	00629	REF				
	740-8-06-00614	. . . . TERMINAL BOARD PER 07397 DWG SPEC 73-801825-15	88223	REF				
	MS51959-18	ATTACHING PARTS . . . . SCREW			4			
	NAS620-4	. . . . WASHER			4			
	NAS679C04M	. . . . NUT			4			
- 13	FA7022	. . . . FILTER, RFI PER 07397 DWG SPEC 32-801855-2	04732		1			
	MS51959-28	ATTACHING PARTS . . . . SCREW			2			
	MS35335-58	. . . . WASHER			2			
	MS15795-805	. . . . WASHER			2			
	NAS679C06M	. . . . NUT			2			
- 14	XB602-14	. . . . KEY, POLARIZING PER 07397 DWG SPEC 70-801732-1	95238		9			
	091-0020-000	. . . . KEY, POLARIZING PER 07397 DWG SPEC 70-801732-1	05574	REF				
- 15	VH22/1AN8	. . . . CONNECTOR, RECEPTACLE, ELECTRICAL PER 07397 DWG SPEC 73-802221-2	05574		9			
	225-22222-10100-100	. . . . CONNECTOR, RECEPTACLE, ELECTRICAL PER 07397 DWG SPEC 73-802221-2	02660	REF				
	MS51957-18	ATTACHING PARTS . . . . SCREW			18			
	MS15795-803	. . . . WASHER			18			
	NAS679C04M	. . . . NUT			18			
- 16	82-726805-1	. . . . COVER, REAR			1			
	MS51957-28	ATTACHING PARTS . . . . SCREW			5			
	MS15795-805	. . . . WASHER			5			

FIG. AND INDEX NO.	MFR PART NUMBER	DESCRIPTION	MFR CODE	UNITS PER ASSY	USABLE ON CODE
6 - 17	32-726825-1	. . . . AF 20KC AND AGC AMPLIFIER			6
- 18	32-724053-1	. . . . TWO INPUT NOR GATE			3
- 19	MS3192A20A	. . . . CONTACT, ELECTRICAL			55
	PT07SE22-55P	. . . . CONNECTOR, RECEPTACLE, ELECTRICAL PER 07397 DWG SPEC 73-802019-203	77820		1
- 20	KPTM07E22-55PF120 □	. . . . CONNECTOR, RECEPTACLE, ELECTRICAL PER 07397 DWG SPEC 73-802019-203	71468		REF
	MS3192-16A	. . . . CONTACT, ELECTRICAL			11
	MS25311-120	. . . . FERRULE, SHIELD, GROUNDING			2
	PT07SE18-11P	. . . . CONNECTOR, RECEPTACLE, ELECTRICAL PER 07397 DWG SPEC 73-802019-115	77820		1
- 21	KPTM07E18-11PF120 □	. . . . CONNECTOR, RECEPTACLE, ELECTRICAL DWG SPEC 73-802019-115	71468		REF
	MS3193A20A	. . . . CONTACT, ELECTRICAL			87
- 22	PT07SE22-55S	. . . . CONNECTOR, RECEPTACLE, ELECTRICAL PER 07397 DWG SPEC 73-802019-208	77820		1
	KPTM07E22-55SF120 □	. . . . CONNECTOR, RECEPTACLE, ELECTRICAL PER 07397 DWG SPEC 73-802019-208	71468		REF
- 23	PT07SE18-32S	. . . . CONNECTOR, RECEPTACLE, ELECTRICAL PER 07397 DWG SPEC 73-802019-140	77820		1
	KPTM07E18-32SF120 □	. . . . CONNECTOR, RECEPTACLE, ELECTRICAL PER 07397 DWG SPEC 73-802019-140	71468		REF
- 24	2381-1	. . . . TERMINAL LUG PER 07397 DWG SPEC 73-801893-2	71279		2
		ATTACHING PARTS			
	MS51957-14	. . . . SCREW			2
	MS35335-57	. . . . WASHER			2
	MS15795-803	. . . . WASHER			2
		- - - * - - -			
	84-726801-2	. . . . CHASSIS			1

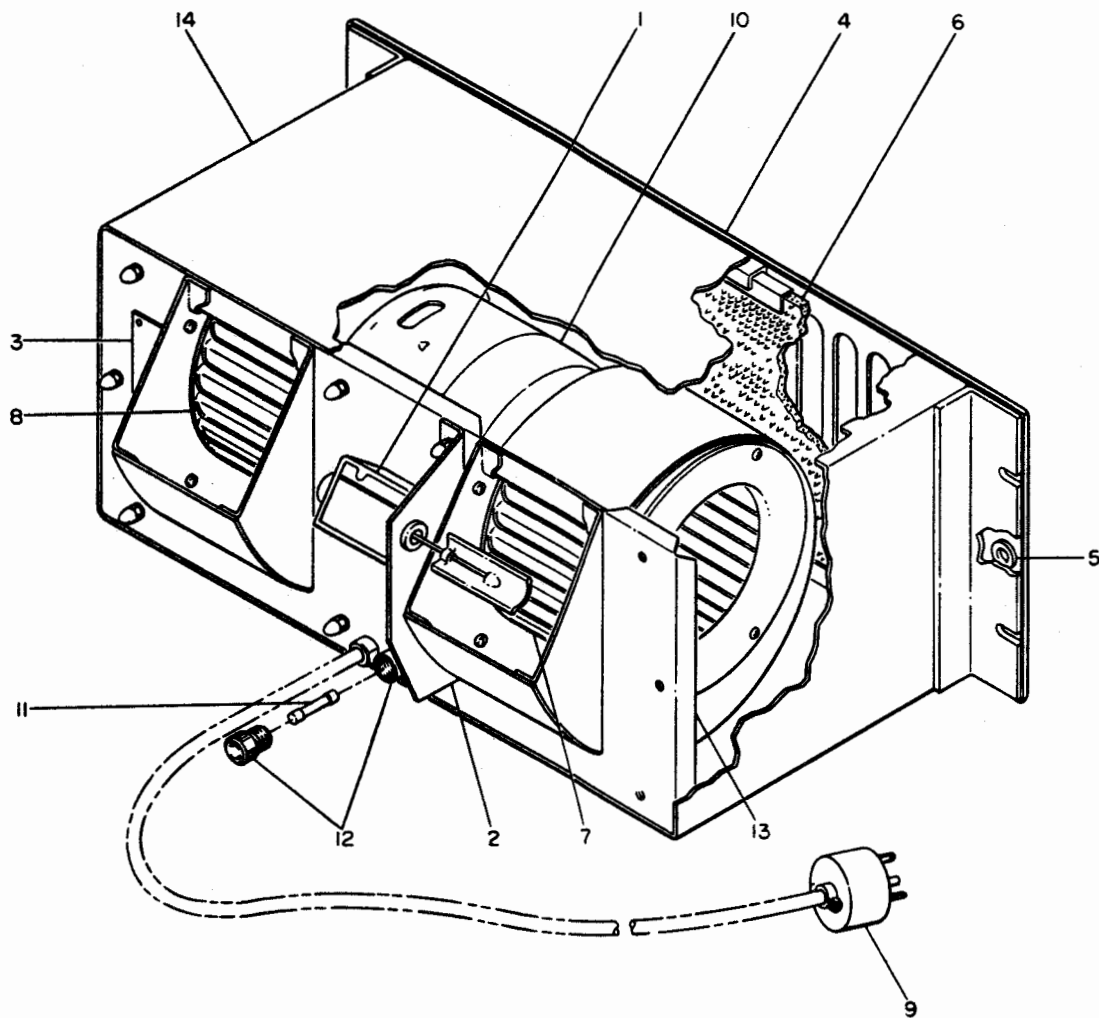




31R1-2GRA96-4-8

Figure 7. Time Totalizing Meter ME-271/FLR-9(V)

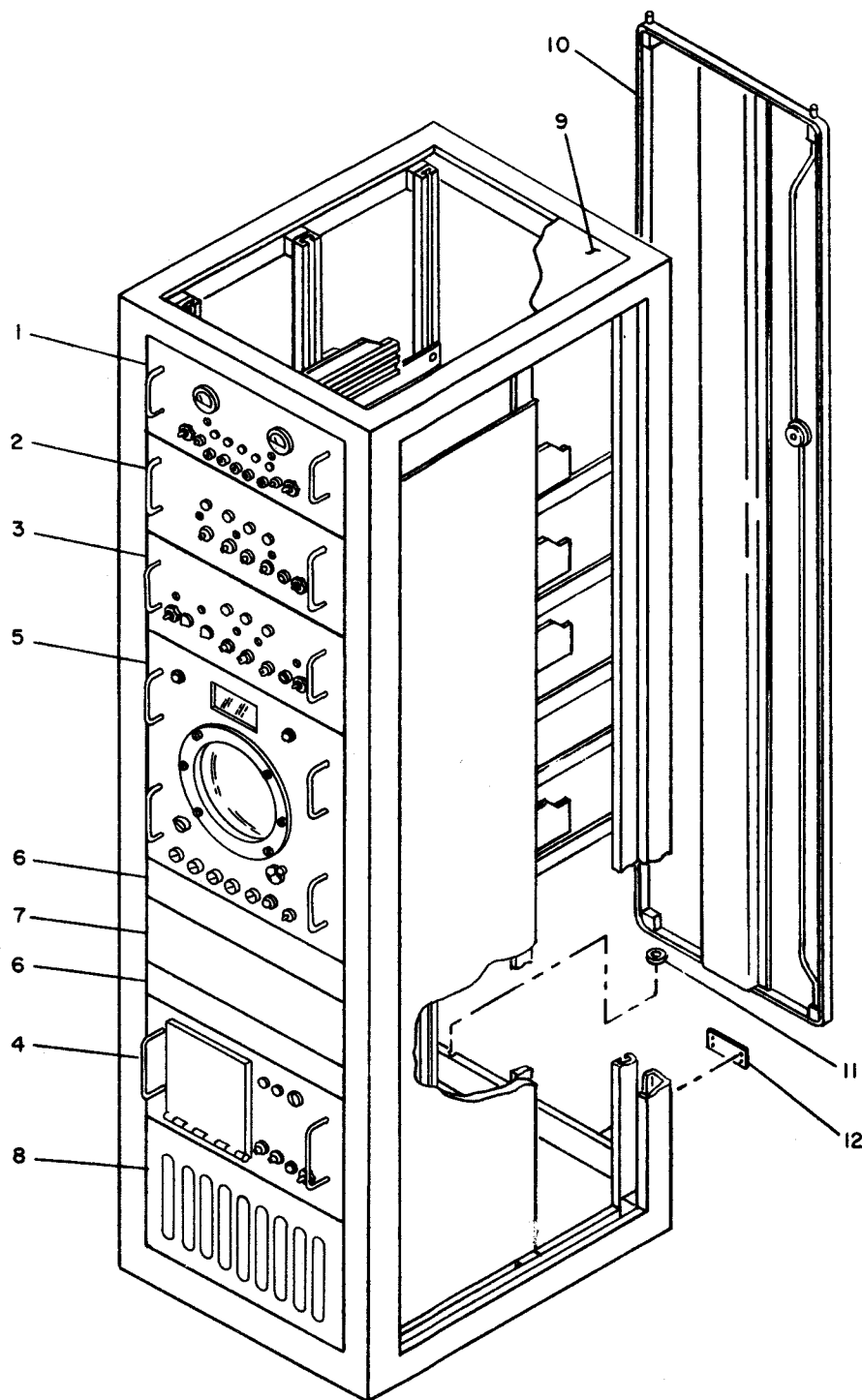
FIG. AND INDEX NO.	MFR PART NUMBER	DESCRIPTION	MFR CODE	UNITS PER ASSY	USABLE ON CODE			
						1	2	3
7 -	89-724729-3	. . . . METER, TIME TOTALIZING ME-271/FLR-9 /V/ FOR NHA SEE FIG. 3-21		REF				
- 1	74-725900-414	. . . . PLATE, DESIGNATION		1				
	MS21318-8	ATTACHING PARTS . . . . SCREW		4				
- 2	3302	. . . . CLAMP, CABLE PER 07397 DWG SPEC 70-801989-1	59730	1				
- 3	267	. . . . CLAMP, JUNCTION PER 07397 DWG SPEC 70-801716-1	59730	1				
- 4	4CS1/2	. . . . JUNCTION BOX PER 07397 DWG SPEC 81-801877-2	03743	1				
	583611/2	. . . . JUNCTION BOX PER 07397 DWG SPEC 81-801877-2	78229	REF				
	MS51959-30	ATTACHING PARTS . . . . SCREW		2				
- 5	5262	. . . . CONNECTOR, POWER AC PER 07397 DWG SPEC 73-801773-2	74545	1				
	MS35649-37	ATTACHING PARTS . . . . SCREW		1				
- 6	50-235032AAAA2JAB	. . . . METER, ELAPSED TIME PER 07397 DWG SPEC 25-801864-2	97924	1				
	MS51957-18	ATTACHING PARTS . . . . SCREW		3				
	MS15795-803	. . . . WASHER		3				
	MS35338-135	. . . . WASHER		3				
	MS35649-244	. . . . NUT		3				
- 7	MS35338-137	. . . . WASHER		1				
- 8	82-724728-2	. . . . PANEL, TIME TOTALIZING METER		1				



31R1-2GRA96-4-9

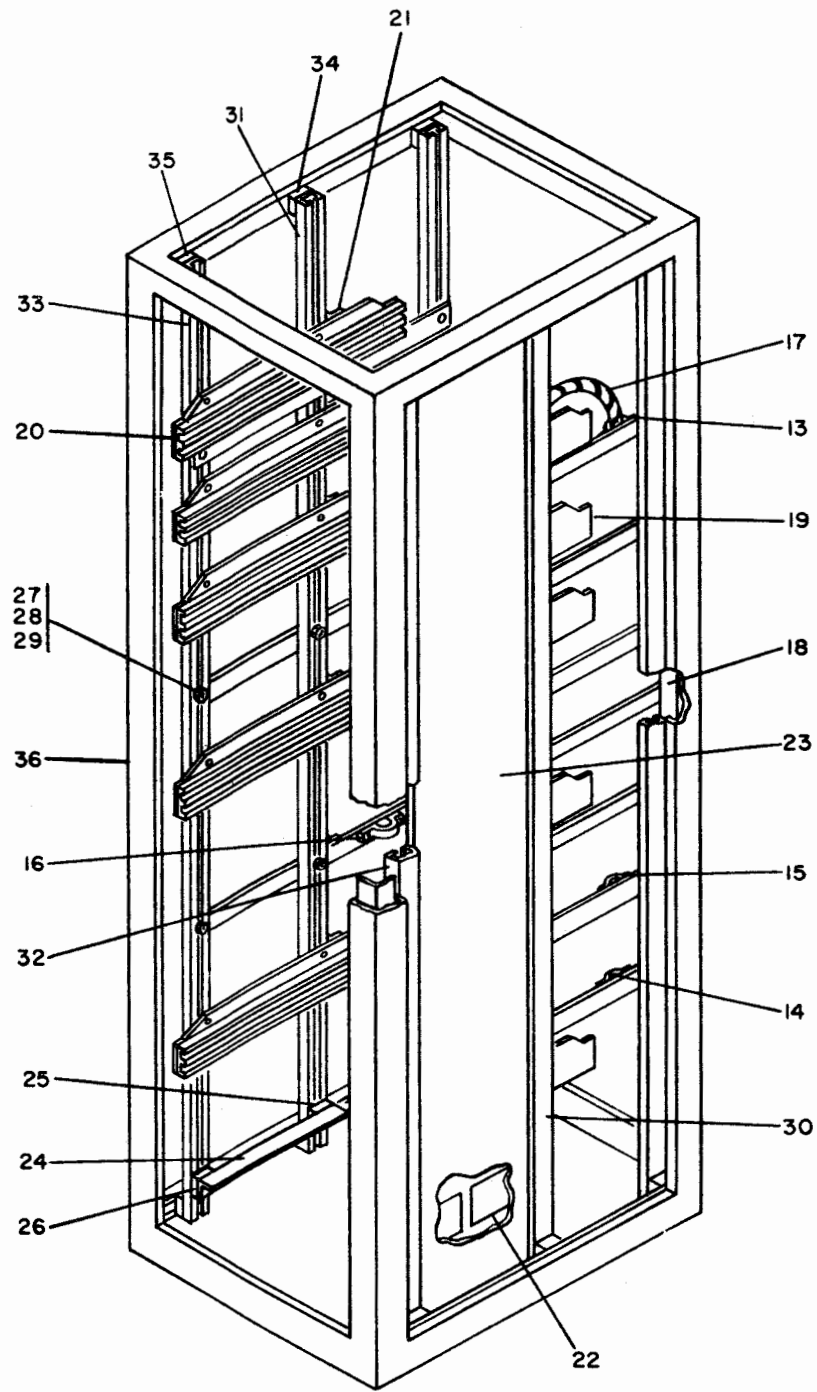
Figure 8. Electronic Equipment Air Cooler HD-591/FLR-9(V)

FIG. AND INDEX NO.	MFR PART NUMBER	DESCRIPTION 1 2 3 4 5 6 7 8 9	MFR CODE	UNITS PER ASSY	USABLE ON CODE
8 -	02-724633-1	. . . . COOLER, AIR, ELECTRONIC EQUIPMENT HD-591/FLR-9/V/ FOR NHA SEE FIG. 3-23		REF	
- 1	2A1000	. . . . SWITCH, AIRFLOW PER 07397 DWG SPEC 33-801868-1	82877	1	
		ATTACHING PARTS			
	MS51958-61	. . . . SCREW		1	
	MS15795-808	. . . . WASHER		1	
	MS35338-138	. . . . WASHER		1	
	MS35650-304	. . . . NUT		1	
		- - - * - - -			
- 2	81-724632-1	. . . . BRACKET, SWITCH MOUNTING		1	
		ATTACHING PARTS			
	MS35649-204	. . . . NUT		2	
	MS35338-138	. . . . WASHER		2	
		- - - * - - -			
- 3	74-725900-38	. . . . PLATE, IDENTIFICATION		1	
		ATTACHING PARTS			
	MS21318-7	. . . . SCREW		4	
		- - - * - - -			
	2EB408A49	. . . . COOLER, ELECTRONIC EQUIPMENT PER 07397 DWG SPEC 23-801869-1	03522	1	
- 4	M2612-7	. . . . GRILLE, METAL	03522	1	
- 5	S1122	. . . . WASHER	03522	1	
- 6	S1006-2	. . . . FILTER, AIR CONDITIONING	03522	1	
	MIGB4	. . . . PANEL ASSY, EQUIPMENT MOUNTING	03522	1	
		ATTACHING PARTS			
	MS35649-204	. . . . NUT		8	
	MS35338-138	. . . . WASHER		8	
		- - - * - - -			
- 7	S1058	. . . . IMPELLER, FAN, CENTRIFUGAL CW	03522	1	
- 8	S1059	. . . . IMPELLER, FAN, CENTRIFUGAL CCW	03522	1	
- 9	S1179	. . . . CONNECTOR, PLUG, ELECTRICAL	03522	1	
- 10	S1106	. . . . MCTOR ASSY, ALTERNATING CURRENT	03522	1	
- 11	MDL1	. . . . FUSE	71400	1	
- 12	S1111	. . . . FUSE HOLDER	03522	1	
- 13	NO NUMBER	. . . . PANEL, EQUIPMENT MOUNTING	03522	1	
- 14	M1183	. . . . HOUSING	03522	1	



31R1-2GRA96-4-10

Figure 9. Control-Indicator Group OK-64/GRA-96 (Sheet 1 of 2)

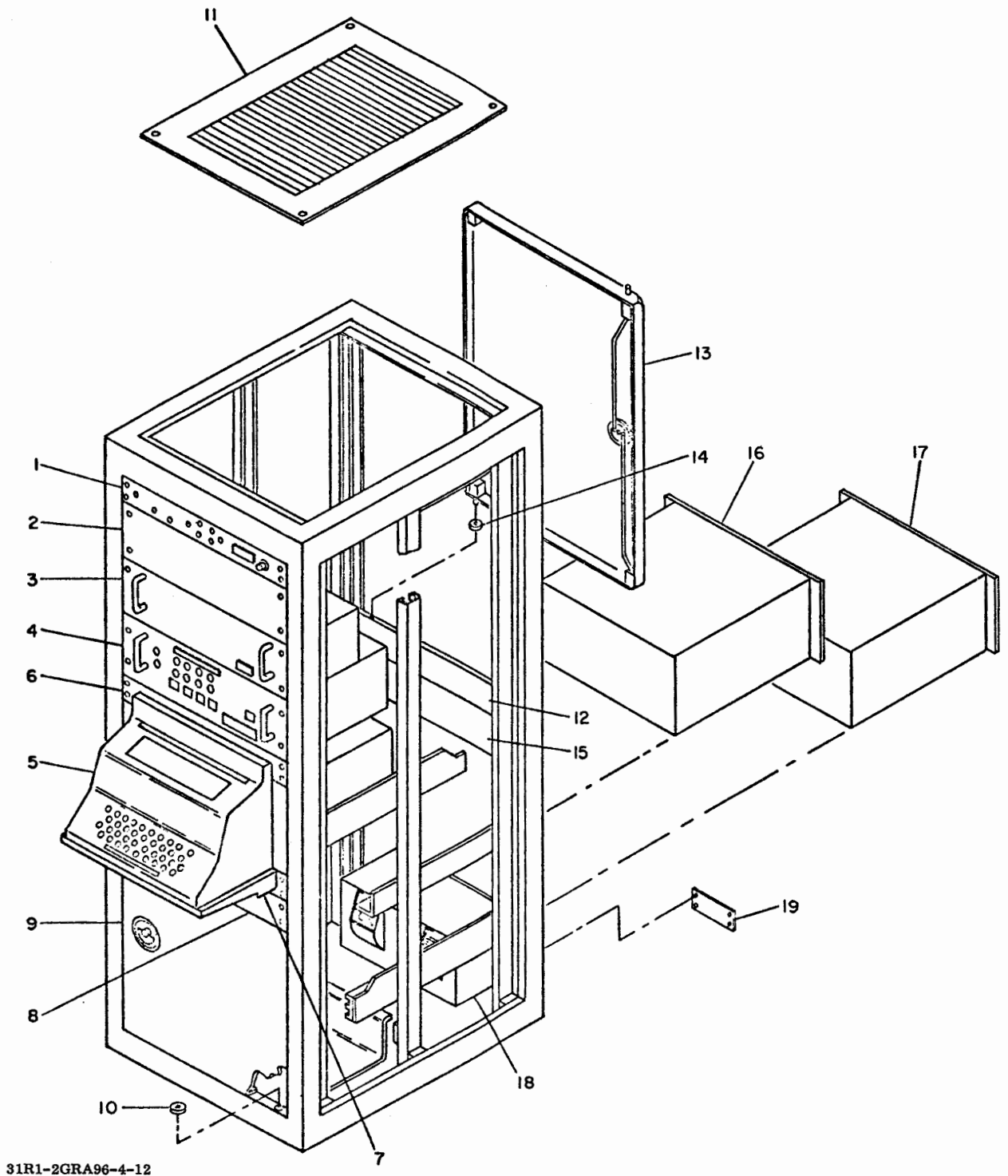


31R1-2GRA96-4-11

Figure 9. Control-Indicator Group OK-64/GRA-96 (Sheet 2 of 2)

FIG. AND INDEX NO.	MFR PART NUMBER	DESCRIPTION	1 2 3 4 5 6 7 8 9									MFR CODE	UNITS PER ASSY	USABLE ON CODE
			1	2	3	4	5	6	7	8	9			
9 -	2470689G1	. . CONTROL-INDICATOR GROUP OK-64/GRA-96 FOR NHA SEE FIG. 2-8											REF	
- 1	2291251G1	. . . INDICATOR POWER SUPPLY NUS5341-2 SEE NAVSHIP 95744 TECHNICAL MANUAL DIRECTION FINDER SET AN/FRD-10A/V/ VOLUME 6 SECTION 7											1	
- 2	2290409G1	. . . INDICATOR POWER SUPPLY NUS5341-3 SEE NAVSHIPS 95744 TECHNICAL MANUAL DIRECTION FINDER SET AN/FRD-10A/V/ VOLUME 6 SECTION 7											1	
- 3	2290789G1	. . . DEFLECTION AMPLIFIER POWER SUPPLY SEE NAVSHIPS 95744 TECHNICAL MANUAL DIRECTION FINDER SET AN/FRD-10A/V/ VOLUME 6 SECTION 7											1	
- 4	2292887G1	. . . AUTOMATIC INDICATOR CONTROL UNIT NUS5341-4 SEE NAVSHIPS 95744 TECHNICAL MANUAL DIRECTION FINDER SET AN/FRD-10A/V/ VOLUME 6 SECTION 7											1	
		ATTACHING PARTS												
	MS51958-64	. . . SCREW											32	
	MS15795-808	. . . WASHER											32	
	NW10-4374	. . . WASHER, NONMETALLIC PER 07397 DWG SPEC 70-801753-2										95987	32	
- 5	2290005G1	. . . AUTOMATIC INDICATOR NUS5341-1 SEE NAVSHIPS 95744 TECHNICAL MANUAL DIRECTION FINDER SET AN/FRD-10A/V/ VOLUME 6 SECTION 7											1	
		ATTACHING PARTS												
	MS51958-64	. . . SCREW											12	
	MS15795-808	. . . WASHER											12	
	NW10-4374	. . . WASHER, NONMETALLIC PER 07397 DWG SPEC 70-801753-2										95987	12	
- 6	82-724636-1	. . . PANEL, BLANK											2	
- 7	01-801600-111	. . . PANEL, MOUNTING, WRITING DESK											1	
		ATTACHING PARTS												
	MS51958-64	. . . SCREW											12	
	MS15795-808	. . . WASHER											12	
	NW10-4374	. . . WASHER, NONMETALLIC PER 07397 DWG SPEC 70-801753-2										95987	12	
- 8	M2EB412AR28	. . . FAN, CENTRIFUGAL SEE NAVSHIPS 95744 TECHNICAL MANUAL DIRECTION FINDER SET AN/FRD-10A/V/ VOLUME 6 SECTION 7											1	
		ATTACHING PARTS												
	MS51958-64	. . . SCREW											4	
	MS35338-138	. . . WASHER											4	
	MS15795-808	. . . WASHER											4	
- 9	2471055G1	. . . TOP CAP, CABINET											1	
		ATTACHING PARTS												
	MS51960-69	. . . SCREW											4	
	MS15795-808	. . . WASHER											4	
	MS35338-138	. . . WASHER											4	
	MS35650-304	. . . NUT											4	
- 10	01-801600-61	. . . DOOR, CABINET											1	
- 11	AN960B416	. . . WASHER											1	
- 12	2471070G27	. . . PLATE, IDENTIFICATION											1	
		ATTACHING PARTS												
	MS21318-8	. . . SCREW											4	
- 13	TA514H8-22	. . . CLAMP, CABLE										84971	3	
- 14	TA514H14-30	. . . CLAMP, CABLE										84971	1	
- 15	TA514H22-30	. . . CLAMP, CABLE										84971	8	
- 16	TA514H18-46	. . . CLAMP, CABLE										84971	1	
		ATTACHING PARTS												
	MS51958-60	. . . SCREW											26	
	MS35338-138	. . . WASHER											26	
- 17	HT1/4C HT1/2C	. . . HELI-TUBE □ . . . HELI-TUBE										09106 09106	AR REF	

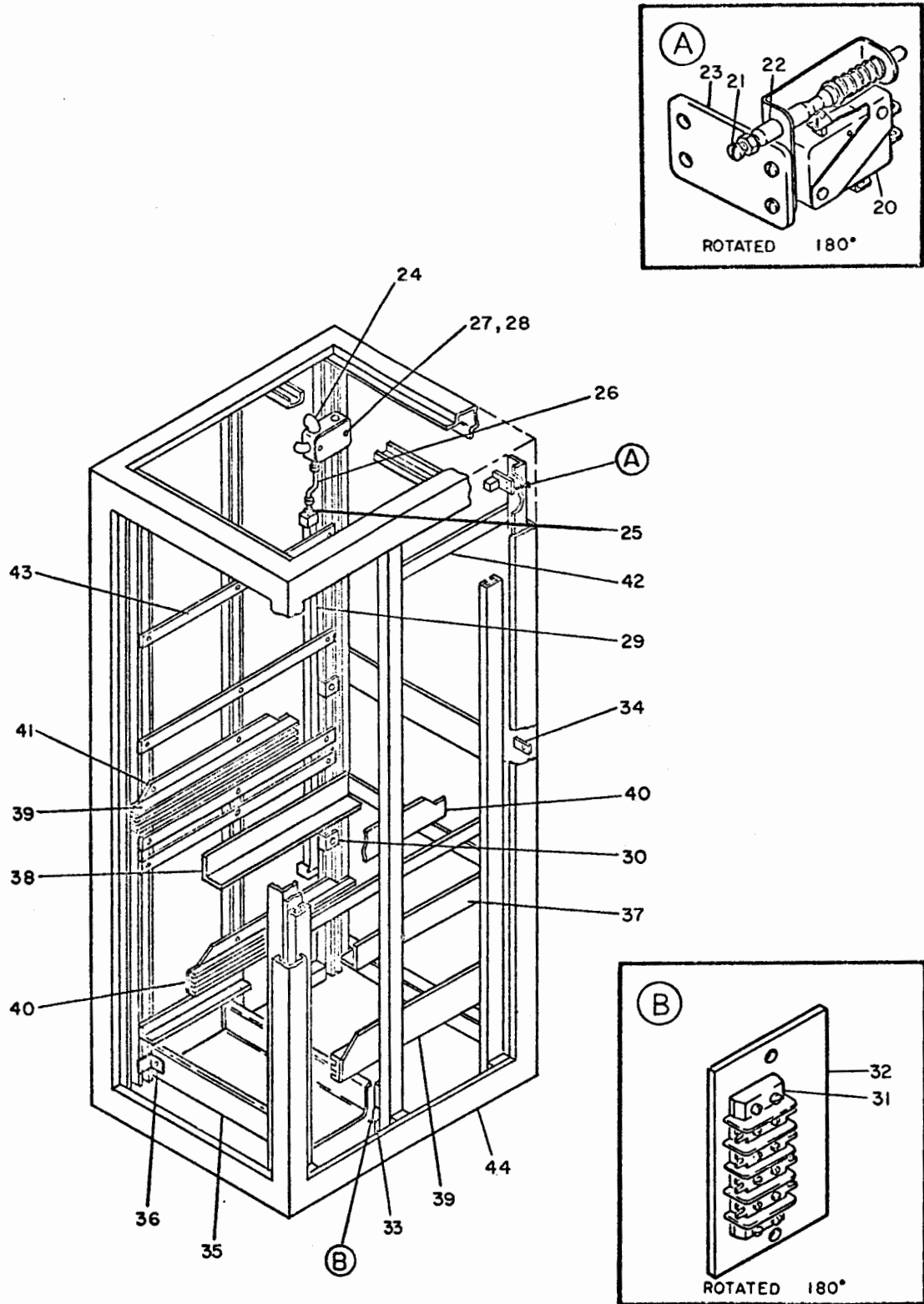
FIG. AND INDEX NO.	MFR PART NUMBER	DESCRIPTION	MFR CODE	UNITS PER ASSY	USABLE ON CODE
9 - 18	20GB603	. . . STRIP, AC DISTRIBUTION PER 07397 DWG SPEC 70-802104-1	79725	1	
		ATTACHING PARTS			
	MD51958-64	. . . SCREW		4	
	MS15795-808	. . . WASHER		4	
	MS35338-138	. . . WASHER		4	
	MS35650-304	. . . NUT		4	
		- - - * - - -			
- 19	2249991G1	. . . SLIDE		5	
- 20	2249991G2	. . . SLIDE		5	
		ATTACHING PARTS			
	MS51958-62	. . . SCREW		20	
	MS51958-64	. . . SCREW		20	
	MS15795-808	. . . WASHER		40	
	MS35338-138	. . . WASHER		40	
	MS35650-304	. . . NUT		40	
		- - - * - - -			
- 21	2471909	. . . ANGLE, MOUNTING, CHASSIS SLIDE		10	
		ATTACHING PARTS			
	MS51958-64	. . . SCREW		20	
	MS15795-808	. . . WASHER		20	
	MS35338-138	. . . WASHER		20	
	MS35650-304	. . . NUT		20	
		- - - * - - -			
- 22	2292045	. . . ADAPTER, DUCT		10	
- 23	AD-28A61-373	. . . AIRDUCT ASSEMBLY	85005	1	
		ATTACHING PARTS			
	MS51958-64	. . . SCREW		10	
	MS15795-808	. . . WASHER		10	
	MS35338-138	. . . WASHER		10	
	MS35650-304	. . . NUT		10	
		- - - * - - -			
- 24	2472096	. . . ANGLE, MOUNTING, BLOWER		2	
		ATTACHING PARTS			
	MS35307-338	. . . SCREW		4	
	MS15795-812	. . . WASHER		4	
	MS35338-140	. . . WASHER		4	
	P4007	. . . NUT, GANG, CHANNEL PER 07397 DWG SPEC 70-801745-10	96195	4	
		- - - * - - -			
- 25	2472097G1	. . . SPACER, MOUNTING ANGLE		2	
- 26	2472097G2	. . . SPACER, MOUNTING ANGLE		2	
- 27	MS51958-62	. . . SCREW		56	
- 28	MS35338-138	. . . WASHER		56	
- 29	MS15795-808	. . . WASHER		56	
- 30	2472098G1	. . . ANGLE, MOUNTING, SLIDE		1	
- 31	2472098G2	. . . ANGLE, MOUNTING, SLIDE		1	
- 32	2472099G1	. . . ANGLE, MOUNTING, SLIDE		1	
- 33	2472099G2	. . . ANGLE, MOUNTING, SLIDE		1	
		ATTACHING PARTS			
	MS35307-311	. . . SCREW		4	
	AN960B416	. . . WASHER		4	
	MS35338-139	. . . WASHER		4	
	P4006-1420	. . . NUT, GANG, CHANNEL PER 07397 DWG SPEC 70-801745-3	96195	4	
		- - - * - - -			
- 34	2472097G1	. . . SPACER, MOUNTING ANGLE		2	
- 35	2472097G2	. . . SPACER MOUNTING ANGLE		2	
- 36	2471054G2	. . . CABINET, ELECTRICAL EQUIPMENT		1	



31R1-2GRA96-4-12

Figure 10. Control-Power Supply Group AN/GRA-101 (Sheet 1 of 2)





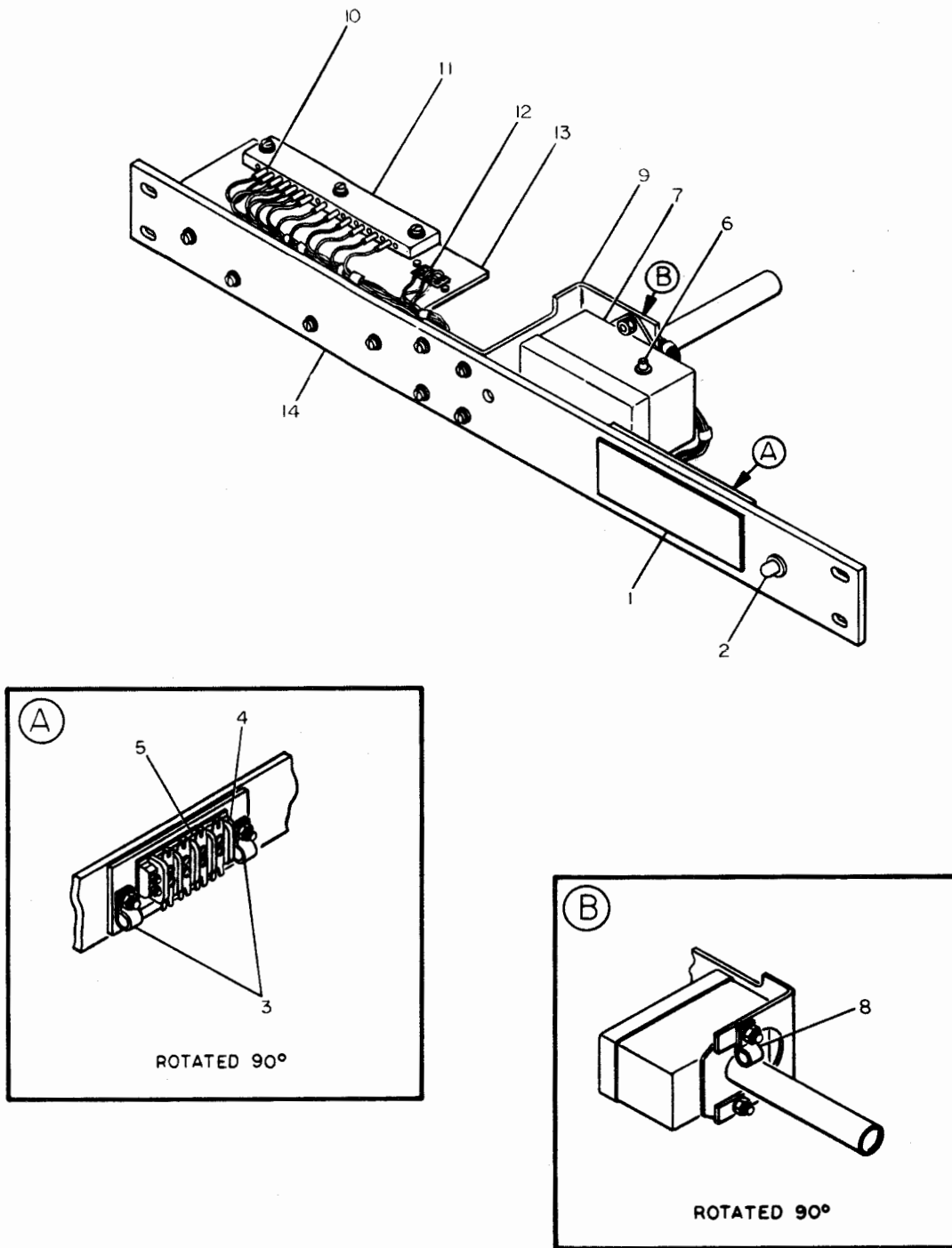
31R1-2GRA96-4-13

Figure 10. Control-Power Supply Group AN/GRA-101 (Sheet 2 of 2)

FIG. AND INDEX NO.	MFR PART NUMBER	DESCRIPTION	MFR CODE	UNITS PER ASSY	USABLE ON CODE			
						1	2	3
10 -	2349732G1	. . CONTROL-PCWER SUPPLY GROUP AN/GRA-101 FOR NHA SEE FIG. 2-9		REF				
- 1	02-725730-1	. . . PANEL, INDICATOR SEE FIG. 11		1				
- 2	82-724571-1	. . . PANEL BLANK		1				
- 3	2470595G1	. . . BRO INTERFACE UNIT SEE T. O. 31R1-2GRA-102		1				
- 4	02-728316-1	. . . CONTROL-INDICATOR SEE FIG. 12 ATTACHING PARTS		1				
	MS51958-64	. . . SCREW		16				
	MS15795-808	. . . WASHER		16				
	NW10-4374	. . . WASHER, NONMETALLIC PER 07397 DWG SPEC 70-801753-2	95987	16				
- 5	NO NUMBER	. . . PRINTER, KEYBOARD AND PAGE KSR-28S /GFE/		1				
- 6	82-728671-1	. . . BEZEL PLATE, LATCH ATTACHING PARTS		1				
	MS51958-64	. . . SCREW		10				
	MS15795-808	. . . WASHER		10				
	NW10-4374	. . . WASHER, NONMETALLIC PER 07397 DWG SPEC 70-801753-2	95987	10				
- 7	82-728670-1	. . . SUPPORT, ELECTRICAL EQUIPMENT		1				
- 8	01-801600-66	. . . PANEL, BAR-DIVIDER ATTACHING PARTS		1				
	MS51960-69	. . . SCREW		4				
- 9	01-801600-28	. . . DOOR, CABINET		1				
- 10	AN960B416	. . . WASHER		1				
- 11	2471055G1	. . . TOP CAP, CABINET ATTACHING PARTS		1				
	MS51960-69	. . . SCREW		4				
	MS15795-808	. . . WASHER		4				
	MS35338-138	. . . WASHER		4				
	MS35650-304	. . . NUT		4				
- 12	01-801600-139	. . . PANEL, BAR-DIVIDER ATTACHING PARTS		1				
	MS51960-69	. . . SCREW		2				
- 13	01-801600-35	. . . DOOR, CABINET		1				
- 14	AN960B416	. . . WASHER		1				
- 15	82-724090-1	. . . PANEL, BLANK		1				
- 16	91920062	. . . RECORDER, DIGITAL, MAGNETIC TAPE PER 07397 DWG SPEC 11-802413-1 /GFE/ ATTACHING PARTS	88769	1				
	MS51958-64	. . . SCREW		8				
	MS15795-808	. . . WASHER		8				
	NW10-4374	. . . WASHER, NONMETALLIC PER 07397 DWG SPEC 70-801753-2	95987	8				
- 17	2470102G1	. . . POWER SUPPLY PP-3931A/FLR-9/V/ PER 90348 DWG SPEC 2470123 BREAKDOWN SEE T. O. 31S6-2FLR9-182		1				
	8375-1004	. . . POWER SUPPLY PP-3931/FLR-9/V/ PER 07397 DWG SPEC 02-802059-1 SEE T. O. 31S6-2FLR9-82	03045	REF				
- 18	02-724633-1	. . . COOLER, AIR, ELECTRONIC EQUIPMENT SEE FIG. 8 ATTACHING PARTS		1				
	MS51958-64	. . . SCREW		4				
	MS15795-808	. . . WASHER		4				
	MS35338-138	. . . WASHER		4				
- 19	2471070G2	. . . PLATE, IDENTIFICATION ATTACHING PARTS		1				
	MS21318-8	. . . SCREW		4				
	89-725815-1	. . . SWITCH ASSY, SENSITIVE ATTACHING PARTS		1				
	MS51958-61	. . . SCREW		2				
	MS35338-138	. . . WASHER		2				
	MS15795-808	. . . WASHER		2				
- 20	MS16106-1	. . . SWITCH, SENSITIVE ATTACHING PARTS		1				
	MS51957-27	. . . SCREW		2				
	MS35338-136	. . . WASHER		2				
	MS15795-805	. . . WASHER		2				

FIG. AND INDEX NO.	MFR PART NUMBER	DESCRIPTION	MFR CODE	UNITS PER ASSY	USABLE ON CODE			
						1	2	3
10 - 21	MS51957-33	• • • • SCREW		1				
- 22	MS35649-264	• • • • NUT		1				
- 23	82-724619-1	• • • • PLATE, SWITCH MOUNTING		1				
- 24	323	• • • • BOX CONNECTOR, ELECTRICAL PER 07397 DWG SPEC 19-801914-1	59730	2				
- 25	254	• • • • CONNECTOR, ARMORED CABLE PER 07397 DWG SPEC 70-801870-1	59730	2				
- 26	1/2	• • • • CONDUIT, FLEXIBLE PER 07397 DWG SPEC 19-801862-1	78799	AR				
- 27	181-1/2	• • • • JUNCTION BOX, CONDUIT PER 07397 DWG SPEC 81-801877-1	03743	1				
	68371-1/2	• • • • JUNCTION BOX, CONDUIT PER 07397 DWG SPEC 81-801877-1	78229	REF				
- 28	58C1	• • • • COVER, JUNCTION BOX PER 07397 DWG SPEC 81-801698-3	78229	1				
		ATTACHING PARTS						
	MS51957-48	• • • • SCREW		2				
	MS15795-807	• • • • WASHER		2				
	MS35338-137	• • • • WASHER		2				
	P4006-0832	• • • • NUT, GANG, CHANNEL PER 07397 DWG SPEC 70-801745-1	96195	2				
- 29	20GB303	• • • • STRIP, AC DISTRIBUTION PER 07397 DWG SPEC 70-802104-2	79725	1				
		ATTACHING PARTS						
	MS51958-63	• • • • SCREW		3				
	MS15795-808	• • • • WASHER		6				
	MS35338-138	• • • • WASHER		3				
	MS35650-304	• • • • NUT		3				
- 30	81-727727-1	• • • • BRACKET, DOUBLE ANGLE		3				
		ATTACHING PARTS						
	MS35307-307	• • • • SCREW		3				
	MS15795-810	• • • • WASHER		3				
	MS35338-139	• • • • WASHER		3				
	P4006-1420	• • • • NUT, GANG, CHANNEL PER 07397 DWG SPEC 70-801745-3	96195	3				
		ATTACHING PARTS						
	89-726236-1	• • • • TERMINAL BOARD ASSY, AIR SWITCH		1				
		ATTACHING PARTS						
	MS51957-48	• • • • SCREW		2				
	MS15795-807	• • • • WASHER		2				
	MS35338-137	• • • • WASHER		2				
	P4006-0832	• • • • NUT, GANG, CHANNEL PER 07397 DWG SPEC 70-801745-1	96195	2				
- 31	600GMFST4S-MS600-4	• • • • TERMINAL BOARD PER 07397 DWG SPEC 73-801825-14	75382	1				
	GMG	• • • • TERMINAL BOARD PER 07397 DWG SPEC 73-801825-14	00629	REF				
	4-14MMUUSMS14-4	• • • • TERMINAL BOARD PER 07397 DWG SPEC 73-801825-14	88223	REF				
	740-4-06-00613	• • • • TERMINAL BOARD PER 07397 DWG SPEC 73-801825-14						
		ATTACHING PARTS						
	MS51959-31	• • • • SCREW		4				
	MS15795-808	• • • • WASHER		4				
	MS35338-136	• • • • WASHER		4				
	MS35649-264	• • • • NUT		4				
- 32	82-726233-1	• • • • BRACKET, TERMINAL BOARD		1				
- 33	LSC2	• • • • CLAMP, CABLE PER 07397 DWG SPEC 70-801797-1	06383	5				
		ATTACHING PARTS						
	MS51957-48	• • • • SCREW		5				
	MS15795-807	• • • • WASHER		5				
	MS35338-137	• • • • WASHER		5				
	81-726392-1	• • • • WASHER, SQUARE		5				
	P4006-0832	• • • • NUT, GANG, CHANNEL PER 07397 DWG SPEC 70-801745-1	96195	5				
- 34	LSC2	• • • • CLAMP, CABLE PER 07397 DWG SPEC 70-801797-1	06383	6				
		ATTACHING PARTS						
	MS51958-61	• • • • SCREW		6				
	MS35338-138	• • • • WASHER		6				
	MS15795-808	• • • • WASHER		6				
- 35	81-727786-3	• • • • RACK, CABLE, INTERIOR		1				
		ATTACHING PARTS						
	MS51958-64	• • • • SCREW		2				
	MS15795-808	• • • • WASHER		2				
	MS35338-138	• • • • WASHER		2				
	MS35650-304	• • • • NUT		2				

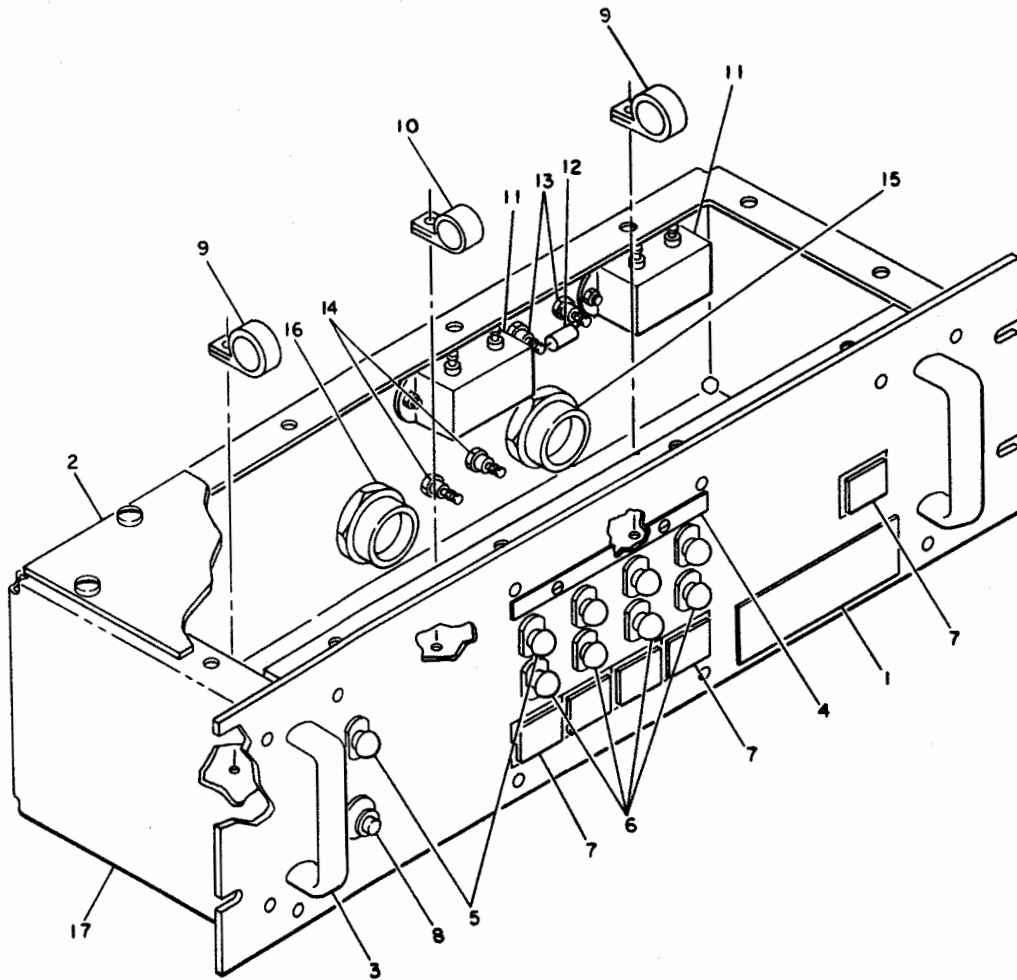
FIG. AND INDEX NO.	MFR PART NUMBER	DESCRIPTION	MFR CODE	UNITS PER ASSY	USABLE
					ON CODE
		1 2 3 4 5 6 7 8 9			
10 - 36	82-727787-1	. . . BRACKET, ANGLE ATTACHING PARTS		2	
	MS35307-307	. . . SCREW		2	
	MS15795-810	. . . WASHER		2	
	MS35338-139	. . . WASHER		2	
	P4006-1420	. . . NUT, GANG, CHANNEL PER 07397 DWG SPEC 70-801745-3	96195	2	
- 37	82-724808-1	. . . SUPPORT ANGLE, RACKS		1	
- 38	82-724808-2	. . . SUPPORT ANGLE, RACKS ATTACHING PARTS		1	
	MS35307-307	. . . SCREW		4	
	MS15795-810	. . . WASHER		4	
	MS35338-139	. . . WASHER		4	
	P4006-1420	. . . NUT, GANG, CHANNEL PER 07397 DWG SPEC 70-801745-3	96195	4	
- 39	020071-1	. . . SLIDE, CHASSIS, LH PER 07397 DWG SPEC 84-801620-3	83508	2	
- 40	020071-2	. . . SLIDE, CHASSIS, RH PER 07397 DWG SPEC 84-801620-4 ATTACHING PARTS	83508	2	
	MS51959-46	. . . SCREW		20	
	MS51959-31	. . . SCREW		20	
	MS15795-805	. . . WASHER		20	
	MS35338-136	. . . WASHER		20	
	MS35649-264	. . . NUT		20	
- 41	81-727636-1	. . . PLATE, MOUNTING, CHASSIS SLIDE ATTACHING PARTS		4	
	MS35307-307	. . . SCREW		8	
	MS15795-810	. . . WASHER		8	
	MS35338-139	. . . WASHER		8	
	P4006-1420	. . . NUT, GANG, CHANNEL PER 07397 DWG SPEC 70-801745-3	96195	8	
- 42	82-726403-2	. . . SUPPORT, CABLE ATTACHING PARTS		3	
	MS51957-48	. . . SCREW		6	
	MS15795-807	. . . WASHER		6	
	MS35338-137	. . . WASHER		6	
	P4006-0832	. . . NUT, GANG, CHANNEL PER 07397 DWG SPEC 70-801745-1	96195	6	
- 43	81-728084-3	. . . BRACKET, CABLE RETAINER ATTACHING PARTS		3	
	MS51957-48	. . . SCREW		9	
	MS15795-807	. . . WASHER		9	
	MS35338-137	. . . WASHER		9	
	P4006-0832	. . . NUT, GANG, CHANNEL PER 07397 DWG SPEC 70-801745-1	96195	9	
- 44	247105461	. . . CABINET, ELECTRICAL EQUIPMENT		1	



31R1-2GRA96-4-14

Figure 11. Indicator Panel SB-2142/FLR-9(V)

FIG. AND INDEX NO.	MFR PART NUMBER	DESCRIPTION	MFR CODE	UNITS PER ASSY	USABLE ON CODE			
						1	2	3
11 -	02-725730-1	. . . PANEL, INDICATOR SB-2142/FLR-9/V/ FOR NHA SEE FIG. 10-1			REF			
- 1	74-725900-221	. . . . PLATE, IDENTIFICATION			1			
	MS21318-8	ATTACHING PARTS . . . . SCREW			4			
	MS25237-327	. . . . LAMP, INCANDESEENT			1			
- 2	101-5030-971	. . . . LIGHT, INDICATOR PER 07397 DWG SPEC 73-801746-1	72619		1			
- 3	MS25281-2	. . . . CLAMP, LOOP PER 07397 DWG SPEC 70-201501-202	95987		2			
	MS51959-47	ATTACHING PARTS . . . . SCREW			2			
	MS15795-807	. . . . WASHER			2			
	D4-167CC	. . . . WASHER, SADDLE PER 07397 DWG SPEC 70-801798-11	95987		2			
	NAS1022C08	. . . . NUT			2			
	89-726236-1	ATTACHING PARTS . . . . TERMINAL BOARD ASSY			1			
- 4	600GMFST4S1MS600-4 GMG	. . . . . TERMINAL BOARD PER 07397 DWG SPEC 73-801825-14	75382		1			
	4-14MMUUSMS14-4	. . . . . TERMINAL BOARD PER 07397 DWG SPEC 73-801825-14	00629		REF			
	740-4-06-00613	. . . . . TERMINAL BOARD PER 07397 DWG SPEC 73-801825-14	88223		REF			
	MS51959-31	ATTACHING PARTS . . . . . SCREW			4			
	MS15795-805	. . . . . WASHER			4			
	MS35338-136	. . . . . WASHER			4			
	MS35649-264	. . . . . NUT			4			
- 5	82-726233-1	. . . . . BRACKET, MOUNTING, TERMINAL BOARD			1			
- 6	MS25036-1	. . . . . TERMINAL, LUG			3			
- 7	20410	. . . . . SWITCH, THERMOSTATIC PER 07397 DWG SPEC 33-801782-1	73168		1			
	MS51957-46	ATTACHING PARTS . . . . . SCREW			2			
	MS15795-807	. . . . . WASHER			2			
	D4-167CC	. . . . . WASHER, SADDLE PER 07397 DWG SPEC 70-801798-11	95987		2			
	NAS1022C08	. . . . . NUT			2			
- 8	MS25281-3	. . . . . CLAMP, LOOP			1			
- 9	82-725728-1	. . . . . BRACKET, SWITCH			1			
	MS51957-31	ATTACHING PARTS . . . . . SCREW			4			
	MS15795-805	. . . . . WASHER			8			
	NAS1022C06	. . . . . NUT			4			
- 10	42575-3	. . . . . PIN, TAPER PER 07397 DWG SPEC 73-801779-2	00779		5			
	42574-3	. . . . . PIN, TAPER PER 07397 DWG SPEC 73-801779-1	00779		8			
- 11	480065-6	. . . . . BLOCK, TAPER PIN PER 07397 DWG SPEC 73-801778-5	00779		1			
	MS51957-31	ATTACHING PARTS . . . . . SCREW			3			
	MS15795-805	. . . . . WASHER			6			
	NAS1022C06	. . . . . NUT			3			
- 12	RY4NA3B3L01	. . . . . RELAY			1			
	MS51957-4	ATTACHING PARTS . . . . . SCREW			2			
	MS35338-134	. . . . . WASHER			2			
	NAS620C2	. . . . . WASHER			2			
	MS35649-224	. . . . . NUT			2			
- 13	82-724732-1	. . . . . BRACKET, MOUNTING			1			
	MS51957-31	ATTACHING PARTS . . . . . SCREW			4			
	MS15795-805	. . . . . WASHER			8			
	NAS1022C06	. . . . . NUT			4			
- 14	82-725729-1	. . . . . PANEL, INDICATOR			1			



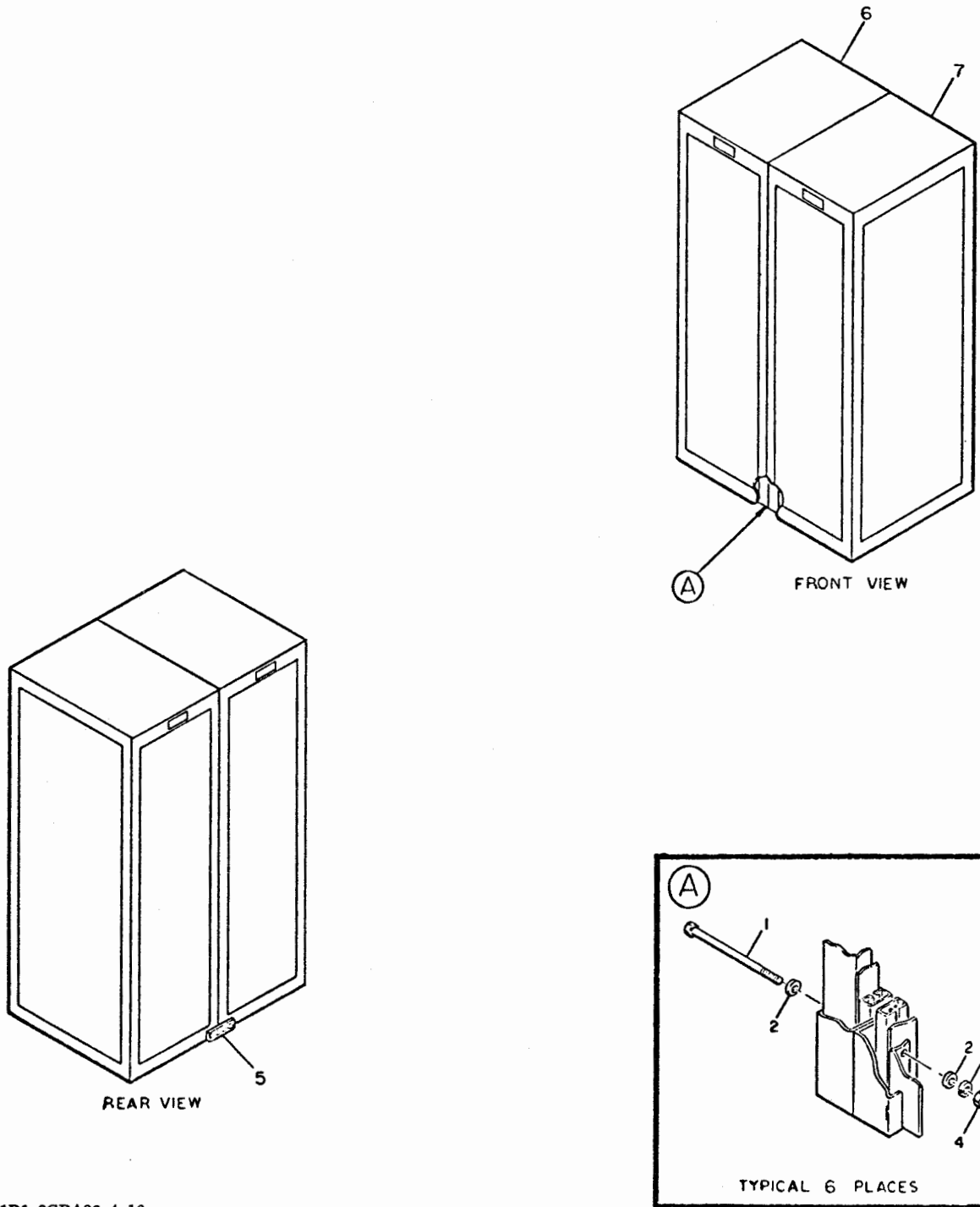
31R1-2GRA96-4-15

Figure 12. Control-Indicator C-6646/FLR-9(V)

FIG. AND INDEX NO.	MFR PART NUMBER	DESCRIPTION	MFR CODE	UNITS PER ASSY	USABLE ON CODE			
						1	2	3
12 -	02-728316-1	. . . CONTROL-INDICATOR, C-6646/FLR-9/V/ FOR NAH SEE FIG. 10-4			REF			
- 1	74-725900-638	. . . PLATE, IDENTIFICATION			1			
	MS21318-8	ATTACHING PARTS . . . SCREW			4			
- 2	82-728647-1	. . . COVER, TOP			1			
	1251-12-18B	ATTACHING PARTS . . . FASTENER, POSITIVE LOCK PER 07397 DWG SPEC 70-802396-1	71286		12			
	553-2	. . . FASTENER, POSITIVE LOCK PER 07397 DWG SPEC 70-802396-3	71286		12			
- 3	2385-1	. . . HANDLE, BOW PER 07397 DWG SPEC 74-801832-1	71279		2			
	MS51957-62	ATTACHING PARTS . . . SCREW			4			
	MS15795-808	. . . WASHER			4			
	MS35338-138	. . . WASHER			4			
- 4	94-728669-1	. . . HOLDER, CARD LABEL			1			
	MS51957-13	ATTACHING PARTS . . . SCREW			2			
	MS15795-803	. . . WASHER			2			
- 5	MS25237-327 VM910M66	. . . LAMP, INCANDESCENT . . . LIGHT-SWITCH PER 07397 DWG SPEC 33-801856-1	72619		9 5			
- 6	VM910M68	. . . LIGHT-SWITCH PER 07397 DWG SPEC 33-801856-3	72619		4			
	86-724576-158 10-4-00	. . . LENS, INDICATOR LIGHT . . . LENS SET, INDICATOR LIGHT PER 07397 DWG SPEC 86-801882-6	96182		1 4			
- 7	1028-68	. . . SWITCH, INDICATOR PER 07397 DWG SPEC 02-801741-68	96182		5			
- 8	2PB12T2	. . . SWITCH, PUSH PER 07397 DWG SPEC 33-802599-2	91929		1			
- 9	MS25281-1	. . . CLAMP, LOOP			2			
- 10	MS25281-4	. . . CLAMP, LOOP			1			
	MS51959-30 MS15795-805 D6-167CC	ATTACHING PARTS . . . SCREW . . . WASHER . . . WASHER, SADDLE PER 07397 DWG SPEC 70-801798-3	95987		3 3 3			
	NAS679X06	. . . NUT			3			
- 11	FA7022	. . . FILTER, RFI PER 07397 DWG SPEC 32-801855-2	04732		2			
	MS51957-29 MS15795-805 NAS679X06	ATTACHING PARTS . . . SCREW . . . WASHER . . . NUT			4 4 4			
- 12	RC206F221J	. . . RESISTOR			1			
- 13	405	. . . TERMINAL, INSULATED PER 07397 DWG SPEC 73-803550-1	05704		2			
	MS15795-803 NAS679X04	ATTACHING PARTS . . . WASHER . . . NUT			2 2			
- 14	2381-1	. . . LUG, GROUND PER 07397 DWG SPEC 73-801893-2	71279		2			
	MS51957-13 MS35338-135 MS15795-803	ATTACHING PARTS . . . SCREW . . . WASHER . . . WASHER			2 2 2			
	MS25251-16P B1616PCB01	. . . PLUG, END SEAL . . . CONTACT, ELECTRICAL PER 07397 DWG SPEC 73-802109-4	71468		6 5			
	0004-065-000	. . . CONTACT, ELECTRICAL PER 07397 DWG SPEC 73-802109-4	11139		REF			
- 15	PT07SE18-11P	. . . CONNECTOR, RECEPTACLE, ELECTRICAL PER 07397 DWG SPEC 73-802019-115	77820		1			
	KPTM07E18-11PF120	. . . CONNECTOR, RECEPTACLE, ELECTRICAL PER 07397 DWG SPEC 73-802019-115	71468		REF			
	MS25251-20	. . . PLUG, END SEAL			9			



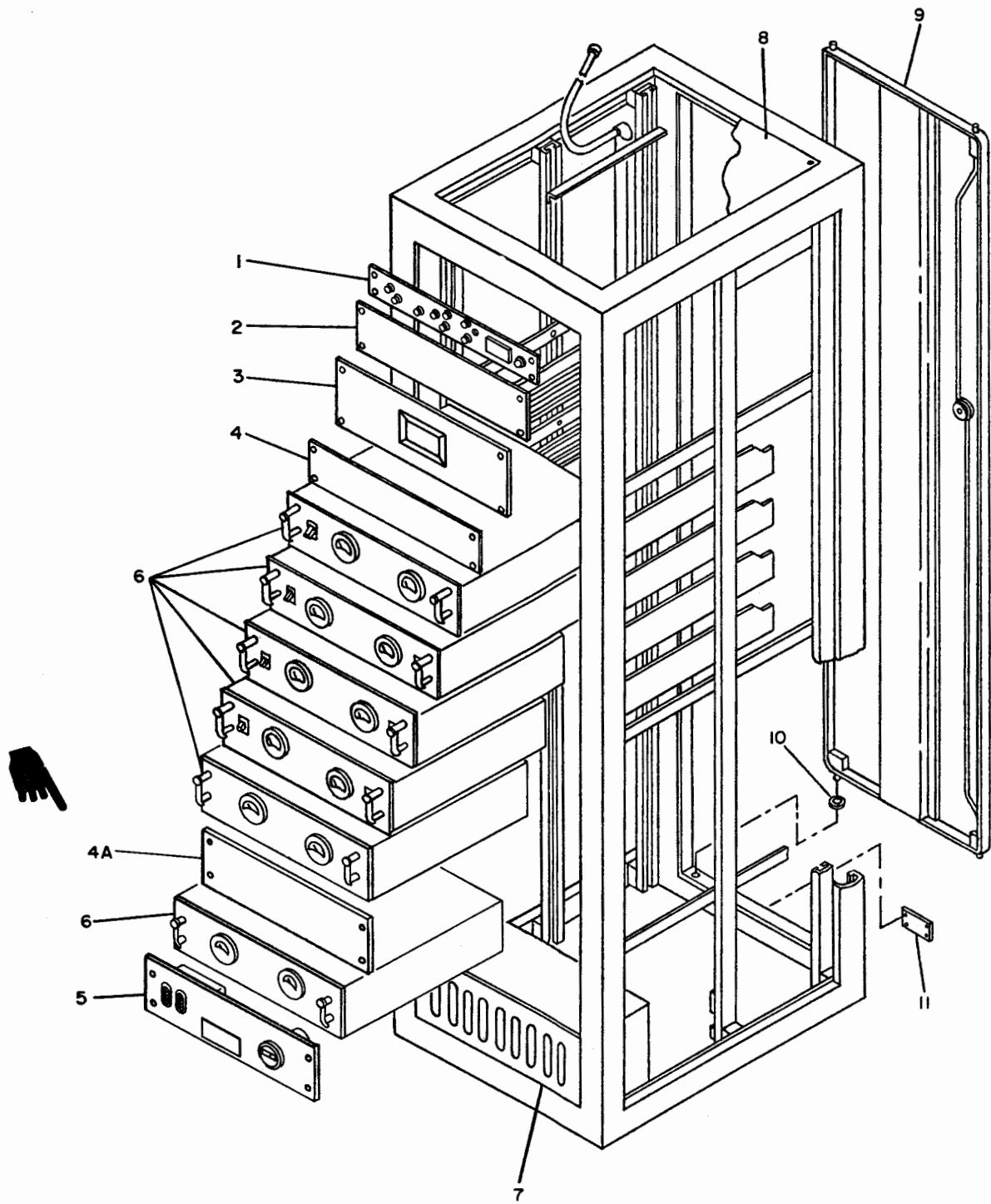
FIG. AND INDEX NO.	MFR PART NUMBER	DESCRIPTION	MFR CODE	UNITS	USABLE
				PER ASSY	ON CODE
		1 2 3 4 5 6 7 8 9			
12 -	B2020SBD01	. . . . CONTACT, ELECTRICAL PER 07397 DWG SPEC 73-802109-1	71468	23	
	0007-0C8-000 □	. . . . CONTACT, ELECTRICAL PER 07397 DWG SPEC 73-802109-1	11139	REF	
- 16	PT07SE18-32S	. . . . CONNECTOR, RECEPTACLE, ELECTRICAL PER 07397 DWG SPEC 73-802019-140	77820	1	
	KPTM07E18-32SF120 □	. . . . CONNECTOR, RECEPTACLE, ELECTRICAL PER 07397 DWG SPEC 73-802019-140	71468	REF	
- 17	82-728646-1	. . . . CHASSIS, ELECTRICAL EQUIPMENT		1	



31R1-2GRA96-4-16

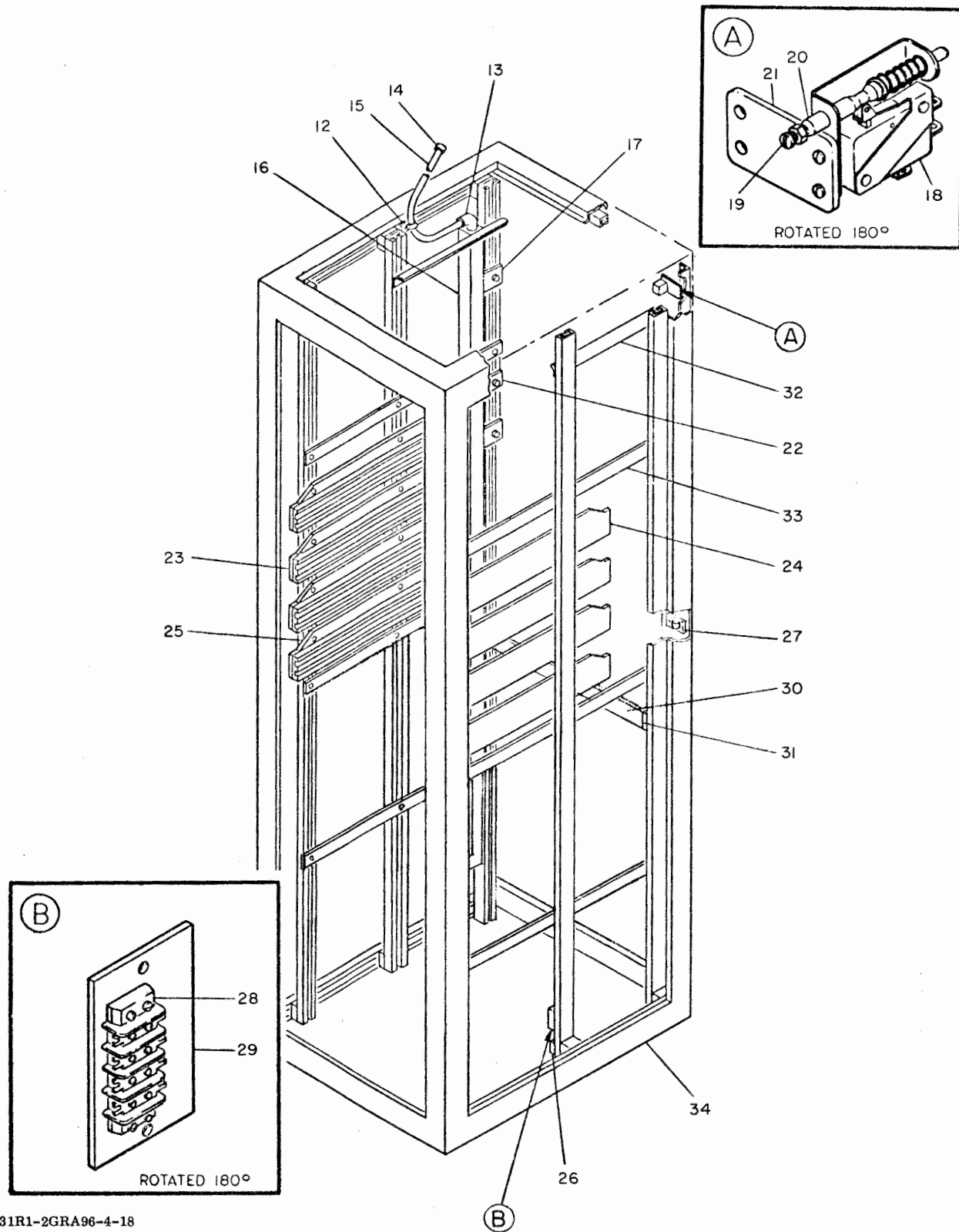
Figure 13. Direction Finding Accessory Console

FIG. AND INDEX NO.	MFR PART NUMBER	DESCRIPTION 1 2 3 4 5 6 7 8 9	MFR CODE	UNITS	USABLE
				PER ASSY	ON CODE
13 -	NO NUMBER	. ACCESSORY CONSOLE, DIRECTION FINDING FOR NHA SEE FIG. 1-4		REF	
- 1	MS35307-344	. . SCREW		6	
- 2	MS15795-812	. . WASHER		12	
- 3	MS35338-140	. . WASHER		6	
- 4	MS51971-2	. . NUT		6	
- 5	83-724613-1	. . PLATE, SPLICE, GROUND ATTACHING PARTS		1	
	MS35309-303	. . SCREW		4	
	MS35338-101	. . WASHER		4	
	MS15795-910	. . WASHER		4	
		- - - * - - -			
- 6	2349728G1	. . POWER SUPPLY SET SEE FIG. 14		1	
- 7	2349729G1	. . CONTROL-POWER SUPPLY GROUP SEE FIG. 15		1	



31R1-2GRA96-4-17

Figure 14. Power Supply Set AN/GRA-99 (Sheet 1 of 2)



31R1-2GRA96-4-18

Figure 14. Power Supply Set AN/GRA-99 (Sheet 2 of 2)

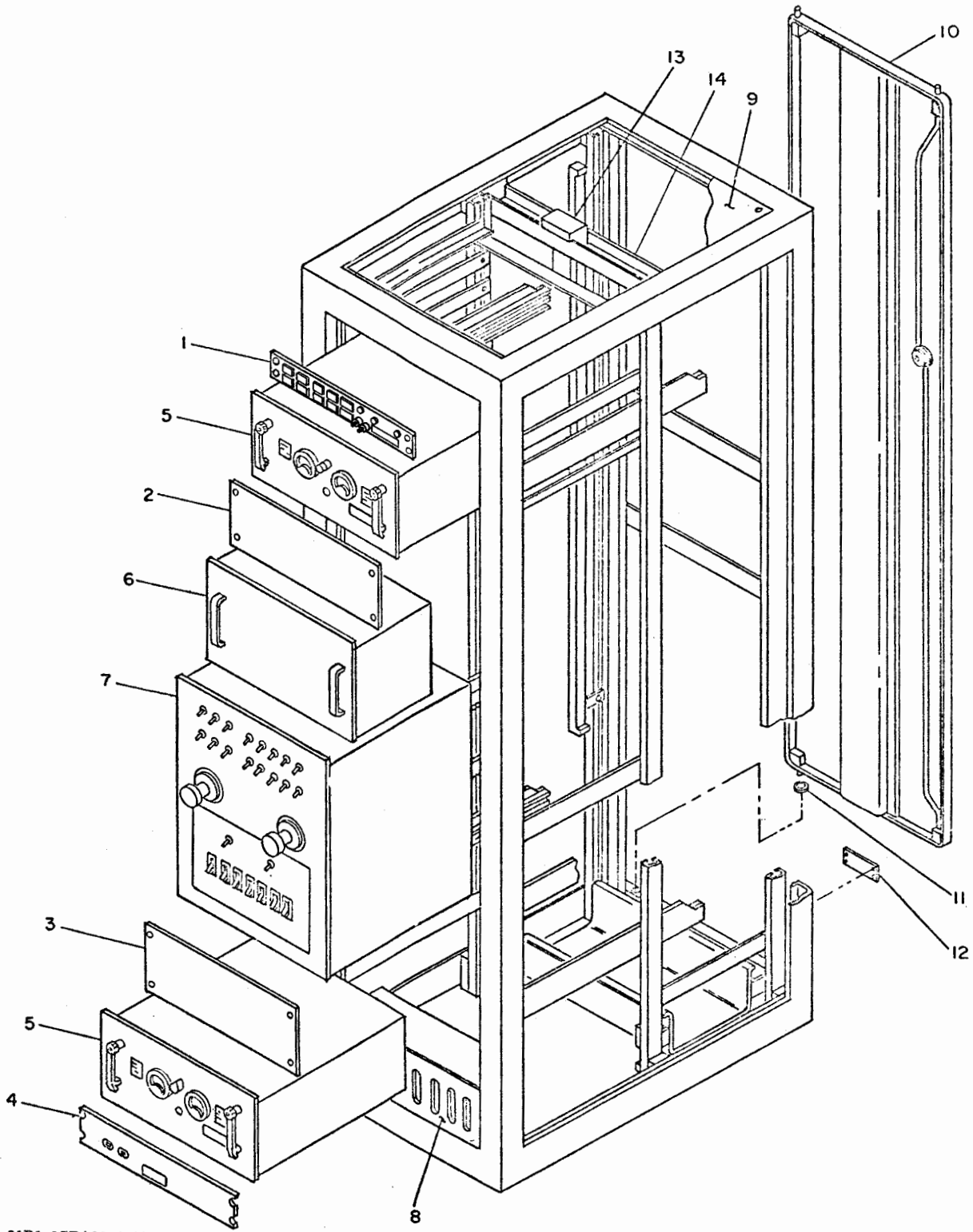
T.O. 31R1-2GRA96-4

FIG. AND INDEX NO.	MFR PART NUMBER	DESCRIPTION	MFR CODE	UNITS PER ASSY	USABLE
					ON CODE
		1 2 3 4 5 6 7 8 9			
14 -	234972861	. . . POWER SUPPLY SET AN/GRA-99 FOR NHA SEE FIG. 13-6			REF
- 1	02-725730-1	. . . PANEL, INDICATOR SEE FIG. 11		1	
- 2	82-724090-1	. . . PANEL, BLANK		1	
- 3	02-727828-1	. . . PANEL, HOLDER, CARD-LABEL		1	
- 4	82-724089-1	. . . PANEL, BLANK		1	
- 4A	82-724571-1	. . . PANEL, BLANK		1	
- 5	89-724729-3	. . . METER, TIME TOTALIZING SEE FIG. 7		1	
		ATTACHING PARTS			
	MS51958-64	. . . SCREW		40	
	MS15795-808	. . . WASHER		40	
	NW10-4374	. . . WASHER, NONMETALLIC PER 07397 DWG SPEC 70-801753-2	95987	40	
- 6	2470102G1	. . . POWER SUPPLY PP-3931A/FLR-9/V/ PER 07397 DWG SPEC 02-802059-1 FOR BREAKDOWN SEE T. O. 31S6-2FLR9-182		6	
	8375-1004	. . . POWER SUPPLY PP-3931/FLR-9/V/ FOR BREAKDOWN SEE T. O. 31S6-2FLR9-82	03045		REF
- 7	02-724633-1	. . . COOLER, AIR, ELECTRONIC EQUIPMENT SEE FIG. 8		1	
		ATTACHING PARTS			
	MS51958-64	. . . SCREW		4	
	MS35338-138	. . . WASHER		4	
	MS15795-808	. . . WASHER		4	
- 8	2471055G2	. . . CAP, TOP		1	
		ATTACHING PARTS			
	MS51959-35	. . . SCREW		4	
	MS15795-808	. . . WASHER		4	
	MS35338-138	. . . WASHER		4	
	MS35650-304	. . . NUT		4	
- 9	01-801600-61	. . . DOOR, CABINET		1	
- 10	AN960B416	. . . WASHER		1	
- 11	2471070G6	. . . PLATE, IDENTIFICATION		1	
		ATTACHING PARTS			
	MS21318-8	. . . SCREW		4	
- 12	MS21919DG12	. . . CLAMP		1	
		ATTACHING PARTS			
	MS51957-48	. . . SCREW		1	
	MS15795-807	. . . WASHER		1	
	MS35338-137	. . . WASHER		1	
	81-726392-1	. . . WASHER, SQUARE		1	
	P4006-0832	. . . NUT, GANG, CHANNEL PER 07397 DWG SPEC 70-801745-1	96195	1	
- 13	323	. . . CLAMP, JUNCTION BOX PER 07397 DWG SPEC 19-801914-1	59730	2	
- 14	254	. . . CONNECTOR, ARMORED CABLE PER 07397 DWG SPEC 70-801870-1	59730	1	
- 15	1/2	. . . CONDUIT, METAL, FLEXIBLE 1/2 IN. PER 07397 DWG SPEC 19-801862-1	78799		AR
- 16	20GB603	. . . STRIP, AC DISTRIBUTION PER 07397 DWG SPEC 70-802104-1	79725	1	
		ATTACHING PARTS			
	MS51958-63	. . . SCREW		4	
	MS15795-808	. . . WASHER		4	
	MS35338-138	. . . WASHER		4	
	MS35650-304	. . . NUT		4	
- 17	81-727727-1	. . . BRACKET, DOUBLE ANGLE		4	
		ATTACHING PARTS			
	MS35307-307	. . . SCREW		4	
	MS15795-810	. . . WASHER		4	
	MS35338-139	. . . WASHER		4	
	P4006-1420	. . . NUT, GANG CHANNEL PER 07397 DWG SPEC 70-801745-3	96195	4	
		ATTACHING PARTS			
	89-725815-1	. . . SWITCH ASSY, SENSITIVE		1	
		ATTACHING PARTS			
	MS51958-61	. . . SCREW		2	
	MS35338-138	. . . WASHER		2	
	MS15795-808	. . . WASHER		2	

FIG. AND INDEX NO.	MFR PART NUMBER	DESCRIPTION	MFR CODE	UNITS PER ASSY	USABLE
					ON CODE
		1 2 3 4 5 6 7 8 9			
14 - 18	MS16106-1	. . . . SWITCH, SENSITIVE		1	
		ATTACHING PARTS			
	MS51957-27	. . . . SCREW		2	
	MS35338-136	. . . . WASHER		2	
	MS15795-805	. . . . WASHER		2	
		- - - * - - -			
- 19	MS51957-33	. . . . SCREW		1	
- 20	MS35649-264	. . . . NUT		1	
- 21	89-724619-1	. . . . PLATE, SWITCH MOUNTING		1	
- 22	89-728119-1	. . . . BRACKET, CABLE SUPPORT		5	
		ATTACHING PARTS			
	MS35307-307	. . . . SCREW		10	
	MS15795-810	. . . . WASHER		10	
	MS35338-139	. . . . WASHER		10	
	81-726392-2	. . . . WASHER, SQUARE		10	
	P4006-1420	. . . . NUT, GANG CHANNEL PER 07397 DWG SPEC 70-801745-3	96195	10	
		- - - * - - -			
- 23	020071-1	. . . . SLIDE, CHASSIS, LH PER 07397 DWG SPEC 84-801620-3	83508	4	
- 24	020071-2	. . . . SLIDE, CHASSIS, RH PER 07397 DWG SPEC 84-801620-4	83508	4	
		ATTACHING PARTS			
	MS51959-46	. . . . SCREW		40	
	MS51959-31	. . . . SCREW		40	
	MS15795-805	. . . . WASHER		40	
	MS35338-136	. . . . WASHER		40	
	MS35649-264	. . . . NUT		40	
		- - - * - - -			
- 25	81-727636-1	. . . . PLATE, MOUNTING, CHASSIS SLIDE		8	
		ATTACHING PARTS			
	MS35307-307	. . . . SCREW		16	
	MS15795-810	. . . . WASHER		16	
	MS35338-139	. . . . WASHER		16	
	P4006-1420	. . . . NUT, GANG CHANNEL PER 07397 DWG SPEC 70-801745-3	96195	16	
		- - - * - - -			
- 26	LSC2	. . . . CLAMP, CABLE PER 07397 DWG SPEC 70-801797-1	06383	6	
		ATTACHING PARTS			
	MS51957-48	. . . . SCREW		6	
	MS15795-807	. . . . WASHER		6	
		- - - * - - -			
	MS35338-137	. . . . WASHER		14	
		ATTACHING PARTS			
	81-726392-1	. . . . WASHER, SQUARE		6	
	P4006-0832	. . . . NUT, GANG CHANNEL PER 07397 DWG SPEC 70-801745-1	96195	6	
		- - - * - - -			
	89-726236-1	. . . . TERMINAL BOARD ASSY AIR SWITCH		1	
		ATTACHING PARTS			
	MS51957-48	. . . . SCREW		2	
	MS15795-807	. . . . WASHER		2	
	MS35338-137	. . . . WASHER		2	
	P4006-0832	. . . . NUT, GANG CHANNEL PER 07397 DWG SPEC 70-801745-1	96195	2	
		- - - * - - -			
- 27	LSC2	. . . . CLAMP, CABLE PER 07397 DWG SPEC 70-801797-1	06383	8	
		ATTACHING PARTS			
	MS51958-61	. . . . SCREW		8	
	MS35338-138	. . . . WASHER		8	
	MS15795-808	. . . . WASHER		8	
		- - - * - - -			
- 28	600GMFST4S-MS600-4	. . . . TERMINAL BOARD PER 07397 DWG SPEC 73-801825-14	75382	1	
	GMG				
	4-14MMUUSMS14-4	. . . . TERMINAL BOARD PER 07397 DWG SPEC 73-801825-14	00629	REF	
	740-4-06-00613	. . . . TERMINAL BOARD PER 07397 DWG SPEC 73-801825-14	88223	REF	
		ATTACHING PARTS			
	MS51959-31	. . . . SCREW		4	
	MS15795-808	. . . . WASHER		4	
	MS35338-136	. . . . WASHER		4	
	MS35649-264	. . . . NUT		4	
		- - - * - - -			
- 29	82-726233-1	. . . . BRACKET, TERMINAL BOARD		1	
- 30	81-726332-1	. . . . BRACE, CABLE SUPPORT		1	

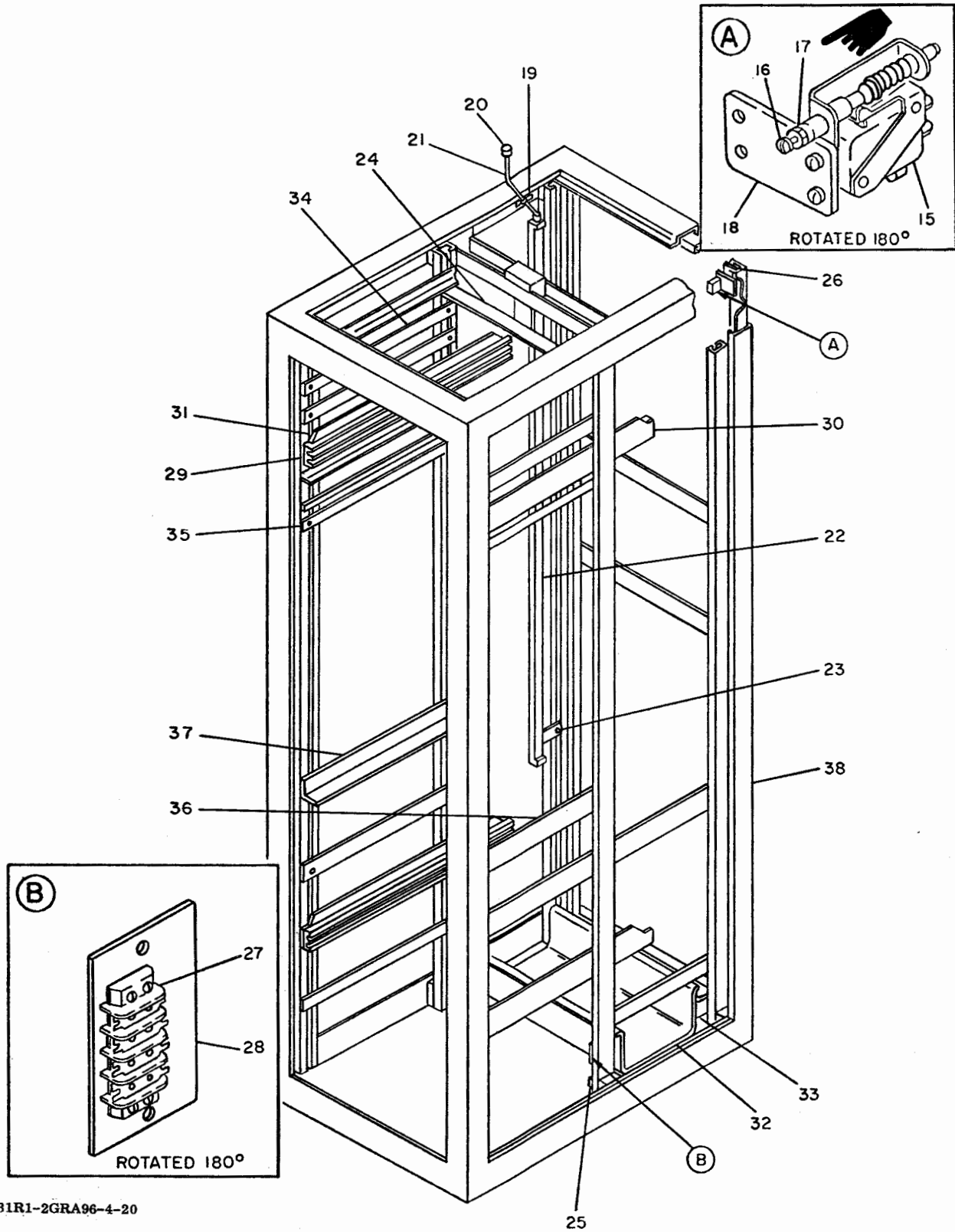
FIG. AND INDEX NO.	MFR PART NUMBER	DESCRIPTION	MFR CODE	UNITS PER ASSY	USABLE ON CODE			
						1	2	3
14 - 31	82-727657-1	. . . SPACER, EQUIPMENT, MTG RAIL ATTACHING PARTS		2				
	MS35307-314	. . . SCREW		2				
	MS15795-810	. . . WASHER		2				
	MS35338-139	. . . WASHER		2				
	P4006-1420	. . . NUT, GANG, CHANNEL PER 07397 DWG SPEC 70-801745-3	96195	2				
	82-726403-2	. . . SUPPORT CABLE ATTACHING PARTS		2				
- 32	MS51957-48	. . . SCREW		4				
	MS15795-807	. . . WASHER		4				
	MS35338-137	. . . WASHER		4				
	P4006-0832	. . . NUT, GANG CHANNEL PER 07397 DWG SPEC 70-801745-1	96195	4				
		81-728084-3	. . . BRACKET, CABLE RETAINER ATTACHING PARTS		6			
- 33	MS51957-48	. . . SCREW		18				
	MS15795-807	. . . WASHER		18				
	MS35338-137	. . . WASHER		18				
	P4006-0832	. . . NUT, GANG CHANNEL PER 07397 DWG SPEC 70-801745-1		18				
		2471054G2	. . . CABINET, ELECTRICAL EQUIPMENT		1			





31R1-2GRA96-4-19

Figure 15. Control-Power Supply Group AN/GRA-100 (Sheet 1 of 2)



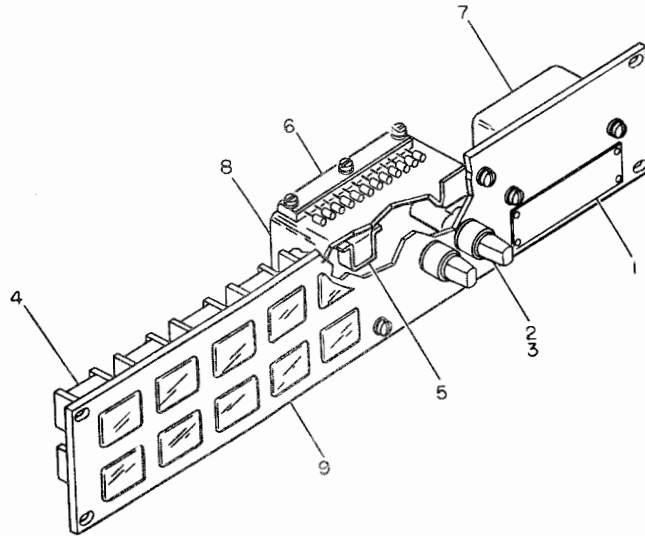
31R1-2GRA96-4-20

Figure 15. Control-Power Supply Group AN/GRA-100 (Sheet 2 of 2)

FIG. AND INDEX NO.	MFR PART NUMBER	DESCRIPTION	MFR CODE	UNITS PER ASSY	USABLE ON CODE			
						1	2	3
15 -	2349729G1	. . CONTROL-POWER SUPPLY GROUP AN/GRA-100 FOR NHA SEE FIG. 13-7		REF				
- 1	02-725944-1	. . . PANEL, INDICATOR SEE FIG. 16		1				
- 2	82-724571-1	. . . PANEL, BLANK		1				
- 3	82-724572-1	. . . PANEL, BLANK		1				
- 4	89-724731-1	. . . INTERCONNECTING BOX SEE FIG. 17		1				
		ATTACHING PARTS						
	MS51958-64	. . . SCREW		16				
	MS15795-808	. . . WASHER		16				
	NW10-4374	. . . WASHER, NONMETALLIC PER 07397 DWG SPEC 70-801753-2	95987	16				
		--- * ---						
- 5	2470102G1	. . . POWER SUPPLY PP-3931A/FLR-9 FOR BREAKDOWN SEE T.O. 31S6-2FLR9-182		2				
	8375-1004	□ . . . POWER SUPPLY PP-3931/FLR-9 PER 07397 DWG SPEC 02-802059-1 FOR BREADKWN SEE T.O. 31S6-2FLR9-82	03045	REF				
- 6	02-727827-1	. . . DISTRIBUTION BOX SEE FIG. 18		1				
		ATTACHING PARTS						
	MS51958-64	. . . SCREW		8				
	MS15795-808	. . . WASHER		8				
	NW10-4374	. . . WASHER, NONMETALLIC PER 07397 DWG SPEC 70-801753-2	95987	8				
		--- * ---						
- 7	02-728543-1	. . . PANEL, POWER DISTRIBUTION SEE FIG. 19		1				
		ATTACHING PARTS						
	MS51958-64	. . . SCREW		12				
	MS15795-808	. . . WASHER		12				
	NW10-4374	. . . WASHER, NONMETALLIC, PER 07397 DWG SPEC 70-801753-2	95987	12				
		--- * ---						
- 8	02-724633-1	. . . COOLER AIR, ELECTRONIC EQUIPMENT SEE FIG. 8		1				
		ATTACHING PARTS						
	MS51958-64	. . . SCREW		4				
	MS35338-138	. . . WASHER		4				
	MS15795-808	. . . WASHER		4				
		--- * ---						
- 9	2471055G1	. . . CAP, TOP		1				
		ATTACHING PARTS						
	MS51959-35	. . . SCREW		4				
	MS15795-808	. . . WASHER		4				
	MS35338-138	. . . WASHER		4				
	MS35650-304	. . . NUT		4				
		--- * ---						
- 10	01-801600-6A	. . . DOOR, CABINET		1				
- 11	AN960B416	. . . WASHER		1				
- 12	2471070G7	. . . PLATE, IDENTIFICATION		1				
		ATTACHING PARTS						
	MS21318-8	. . . SCREW		4				
		--- * ---						
	89-726968-1	. . . BRACKET ASSY, THERMOSTAT		1				
		ATTACHING PARTS						
	MS35307-306	. . . SCREW		2				
	MS15795-810	. . . WASHER		2				
	MS35338-139	. . . WASHER		2				
	P6006-1420	. . . NUT, GANG, CHANNEL PER 07397 DWG SPEC 70-801745-8	96195	2				
		--- * ---						
- 13	20410	. . . SWITCH, THERMOSTAT PER 07397 DWG SPEC 33-801782-1	73168	1				
		ATTACHING PARTS						
	MS51957-45	. . . SCREW		2				
	MS15795-807	. . . WASHER		2				
	NAS1022C08	. . . NUT		2				
		--- * ---						
- 14	82-724620-1 89-725815-1	. . . BRACKET, MOUNTING		1				
		. . . SWITCH ASSY, SENSITIVE		1				
		ATTACHING PARTS						
	MS51958-61	. . . SCREW		2				
	MS35338-138	. . . WASHER		2				
	MS15795-808	. . . WASHER		2				
		--- * ---						

FIG. AND INDEX NO.	MFR PART NUMBER	DESCRIPTION	MFR CODE	UNITS PER ASSY	USABLE ON CODE			
						1	2	3
15 - 15	MS16106-1	. . . SWITCH, SENSITIVE		1				
		ATTACHING PARTS						
	MS51957-27	. . . SCREW		2				
	MS35338-136	. . . WASHER		2				
	MS15795-805	. . . WASHER		2				
		- - - * - - -						
- 16	MS51957-33	. . . SCREW		1				
- 17	MS35649-264	. . . NUT		1				
- 18	82-724619-1	. . . PLATE, MOUNTING		1				
- 19	MS21919DG12	. . . CLAMP		2				
		ATTACHING PARTS						
	MS51957-46	. . . SCREW		2				
	MS15795-807	. . . WASHER		2				
	MS35338-137	. . . WASHER		2				
	MS35649-284	. . . NUT		2				
		- - - * - - -						
- 20	254	. . . CONNECTOR, ARMORED CABLE PER 07397 DWG SPEC 70-801870-1	59730	2				
- 21	1/2	. . . CONDUIT, METAL, FLEXIBLE 1/2 IN. PER 07397 DWG SPEC 19-801862-1	78799	AR				
- 22	20GB303	. . . STRIP, AC DISTRIBUTION PER 07397 DWG SPEC 70-802104-2	79725	1				
		ATTACHING PARTS						
	MS51958-64	. . . SCREW		3				
	MS15795-808	. . . WASHER		3				
	MS35338-138	. . . WASHER		3				
	MS35650-304	. . . NUT		3				
		- - - * - - -						
- 23	81-727727-1	. . . BRACKET, DOUBLE ANGLE		3				
		ATTACHING PARTS						
	MS35307-307	. . . SCREW		3				
	MS15795-810	. . . WASHER		3				
	MS35338-139	. . . WASHER		3				
	P4006-1420	. . . NUT, GANG CHANNEL PER 07397 DWG SPEC 70-801745-3	96195	3				
		- - - * - - -						
- 24	81-728119-1	. . . BRACE, CABLE SUPPORT		4				
		ATTACHING PARTS						
	MS35307-307	. . . SCREW		8				
	MS15795-810	. . . WASHER		8				
	MS35338-139	. . . WASHER		8				
	81-726392-2	. . . WASHER, SQUARE		8				
	P4006-1420	. . . NUT, GANG CHANNEL PER 07397 DWG SPEC 70-801745-3	96195	8				
		- - - * - - -						
- 25	LSC2	. . . CLAMP, LOOP PER 07397 DWG SPEC 70-801797-1	06383	3				
		ATTACHING PARTS						
	MS51957-48	. . . SCREW		3				
	MS15795-807	. . . WASHER		3				
	MS35338-137	. . . WASHER		3				
	81-726392-1	. . . WASHER, SQUARE		3				
	P4006-0832	. . . NUT, GANG CHANNEL PER 07397 DWG SPEC 70-801745-1	96195	3				
		- - - * - - -						
- 26	LSC2	. . . CLAMP, LOOP PER 07397 DWG SPEC 78-801797-1	06383	5				
		ATTACHING PARTS						
	MS51958-61	. . . SCREW		5				
	MS35338-138	. . . WASHER		5				
	MS15795-808	. . . WASHER		5				
		- - - * - - -						
	89-726236-1	. . . TERMINAL BOARD ASSY, AIRSWITCH		1				
		ATTACHING PARTS						
	MS51957-48	. . . SCREW		2				
	MS15795-807	. . . WASHER		2				
	MS35338-137	. . . WASHER		2				
	P4006-0832	. . . NUT, GANG CHANNEL PER 07397 DWG SPEC 70-801745-1	96195	2				
		- - - * - - -						
- 27	600GMFST4S-MS600-4 GMG	. . . TERMINAL BOARD PER 07397 DWG SPEC 73-801825-14	75382	1				

FIG. AND INDEX NO.	MFR PART NUMBER	DESCRIPTION	MFR CODE	UNITS PER ASSY	USABLE ON CODE			
						1	2	3
15 -	4-14MMUUSMS14-4	□ . . . . TERMINAL BOARD PER 07397 DWG SPEC 73-801825-14	00629	REF				
	740-4-06-00613	□ . . . . TERMINAL BOARD PER 07397 DWG SPEC 73-801825-14	88223	REF				
		ATTACHING PARTS						
	MS51959-31	. . . . SCREW		4				
	MS15795-808	. . . . WASHER		4				
	MS35338-136	. . . . WASHER		4				
	MS35649-264	. . . . NUT		4				
- 28	82-726233-1	. . . . BRACKET, TERMINAL BOARD		1				
- 29	020071-1	. . . . SLIDE, CHASSIS, LH PER 07397 DWG SPEC 84-801620-3	83508	2				
- 30	020071-2	. . . . SLIDE, CHASSIS, RH PER 07397 DWG SPEC 84-801620-4	83508	2				
		ATTACHING PARTS						
	MS51959-46	. . . . SCREW		20				
	MS51959-31	. . . . SCREW		20				
	MS15795-805	. . . . WASHER		20				
	MS35338-136	. . . . WASHER		20				
	MS35649-264	. . . . NUT		20				
- 31	81-727636-1	. . . . PLATE, MOUNTING, CHASSIS SLIDE		4				
		ATTACHING PARTS						
	MS35307-307	. . . . SCREW		8				
	MS15795-810	. . . . WASHER		8				
	MS35338-139	. . . . WASHER		8				
	P4006-1420	. . . . NUT, GANG CHANNEL PER 07397 DWG SPEC 70-801745-3	96195	8				
- 32	81-727786-3	. . . . RACK, CABLE, INTERIOR		1				
		ATTACHING PARTS						
	MS51958-64	. . . . SCREW		2				
	MS15795-808	. . . . WASHER		2				
	MS35338-138	. . . . WASHER		2				
	MS35650-304	. . . . NUT		2				
- 33	82-727787-1	. . . . BRACKET, ANGLE		2				
		ATTACHING PARTS						
	MS35307-307	. . . . SCREW		2				
	MS15795-810	. . . . WASHER		2				
	MS35338-139	. . . . WASHER		2				
	P4006-1420	. . . . NUT, GANG, CHANNEL PER 07397 DWG SPEC 70-801745-3	96195	2				
- 34	82-726403-2	. . . . SUPPORT, CABLE		4				
		ATTACHING PARTS						
	MS51957-48	. . . . SCREW		8				
	MS15795-807	. . . . WASHER		8				
	MS35338-137	. . . . WASHER		8				
	P4006-0832	. . . . NUT, GANG, CHANNEL PER 07307 DWG SPEC 70-801745-1	96195	8				
- 35	81-728084-3	. . . . BRACKET, CABLE RETAINER		8				
		ATTACHING PARTS						
	MS51957-48	. . . . SCREW		24				
	MS15795-807	. . . . WASHER		24				
	MS35338-137	. . . . WASHER		24				
	P4006-0832	. . . . NUT, GANG, CHANNEL PER 07307 DWG SPEC 70-801745-1	96195	24				
- 36	82-724808-1	. . . . BRACKET, ANGLE		1				
- 37	82-724808-2	. . . . BRACKET, ANGLE		1				
		ATTACHING PARTS						
	MS35307-307	. . . . SCREW		4				
	MS15795-810	. . . . WASHER		4				
	MS35338-139	. . . . WASHER		4				
	P4006-1420	. . . . NUT, GANG CHANNEL PER 07397 DWG SPEC 70-801745-3	96195	4				
- 38	247105462	. . . . CABINET, ELECTRICAL EQUIPMENT		1				



31R1-2GRA96-4-21

Figure 16. Indicator Panel SB-2311/FLR-9(V)

FIG. AND INDEX NO.	MFR PART NUMBER	DESCRIPTION									MFR CODE	UNITS PER ASSY	USABLE ON CODE
		1	2	3	4	5	6	7	8	9			
16 -	02-725944-1	. . .	. . .	. . .	. . .	. . .	. . .	. . .	. . .	. . .		REF	
- 1	74-725900-313	. . .	. . .	. . .	. . .	. . .	. . .	. . .	. . .	. . .		1	
	MS21318-8	. . .	. . .	. . .	. . .	. . .	. . .	. . .	. . .	. . .		4	
- 2	MS90078-7	. . .	. . .	. . .	. . .	. . .	. . .	. . .	. . .	. . .		1	
	MS90078-7	. . .	. . .	. . .	. . .	. . .	. . .	. . .	. . .	. . .		1	
- 3	FHL17G1	. . .	. . .	. . .	. . .	. . .	. . .	. . .	. . .	. . .		1	
	FHL17G1	. . .	. . .	. . .	. . .	. . .	. . .	. . .	. . .	. . .		1	
- 4	1028-4	. . .	. . .	. . .	. . .	. . .	. . .	. . .	. . .	. . .	96182	10	
- 5	RY4NA3B3L01	. . .	. . .	. . .	. . .	. . .	. . .	. . .	. . .	. . .		1	
	MS51957-4	. . .	. . .	. . .	. . .	. . .	. . .	. . .	. . .	. . .		2	
	MS15795-802	. . .	. . .	. . .	. . .	. . .	. . .	. . .	. . .	. . .		2	
	MS35338-134	. . .	. . .	. . .	. . .	. . .	. . .	. . .	. . .	. . .		2	
	MS35649-224	. . .	. . .	. . .	. . .	. . .	. . .	. . .	. . .	. . .		2	
	42574-3	. . .	. . .	. . .	. . .	. . .	. . .	. . .	. . .	. . .	00779	22	
- 6	480065-6	. . .	. . .	. . .	. . .	. . .	. . .	. . .	. . .	. . .	00779	2	
	MS51957-33	. . .	. . .	. . .	. . .	. . .	. . .	. . .	. . .	. . .		3	
	MS15795-805	. . .	. . .	. . .	. . .	. . .	. . .	. . .	. . .	. . .		3	
	NAS679C06M	. . .	. . .	. . .	. . .	. . .	. . .	. . .	. . .	. . .		3	
- 7	MCHJ3000	. . .	. . .	. . .	. . .	. . .	. . .	. . .	. . .	. . .	07065	1	
	MS51957-31	. . .	. . .	. . .	. . .	. . .	. . .	. . .	. . .	. . .		2	
	MS15795-805	. . .	. . .	. . .	. . .	. . .	. . .	. . .	. . .	. . .		2	
	NAS679C06M	. . .	. . .	. . .	. . .	. . .	. . .	. . .	. . .	. . .		2	
- 8	84-724733-1	. . .	. . .	. . .	. . .	. . .	. . .	. . .	. . .	. . .		1	
	MS51957-31	. . .	. . .	. . .	. . .	. . .	. . .	. . .	. . .	. . .		3	
	MS15795-805	. . .	. . .	. . .	. . .	. . .	. . .	. . .	. . .	. . .		6	
	NAS679C06M	. . .	. . .	. . .	. . .	. . .	. . .	. . .	. . .	. . .		3	
- 9	82-727596-1	. . .	. . .	. . .	. . .	. . .	. . .	. . .	. . .	. . .		1	

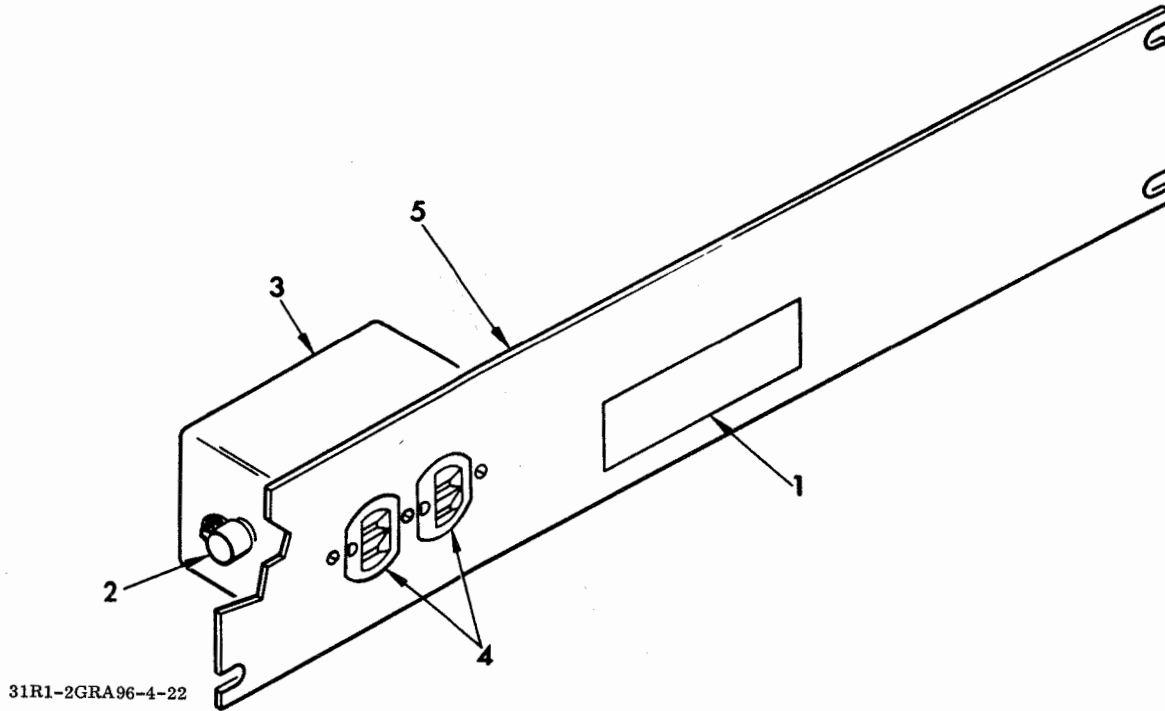
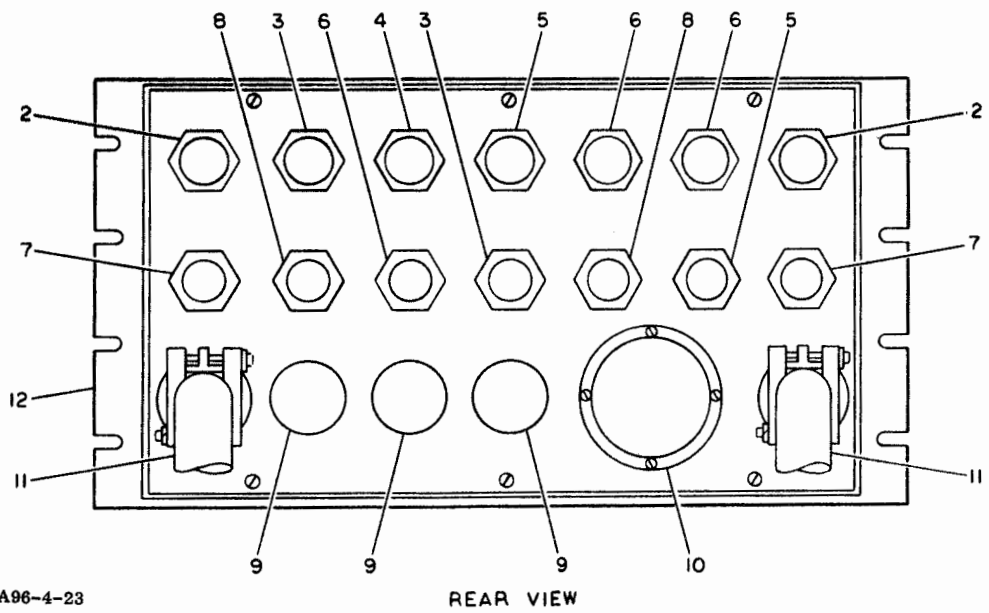
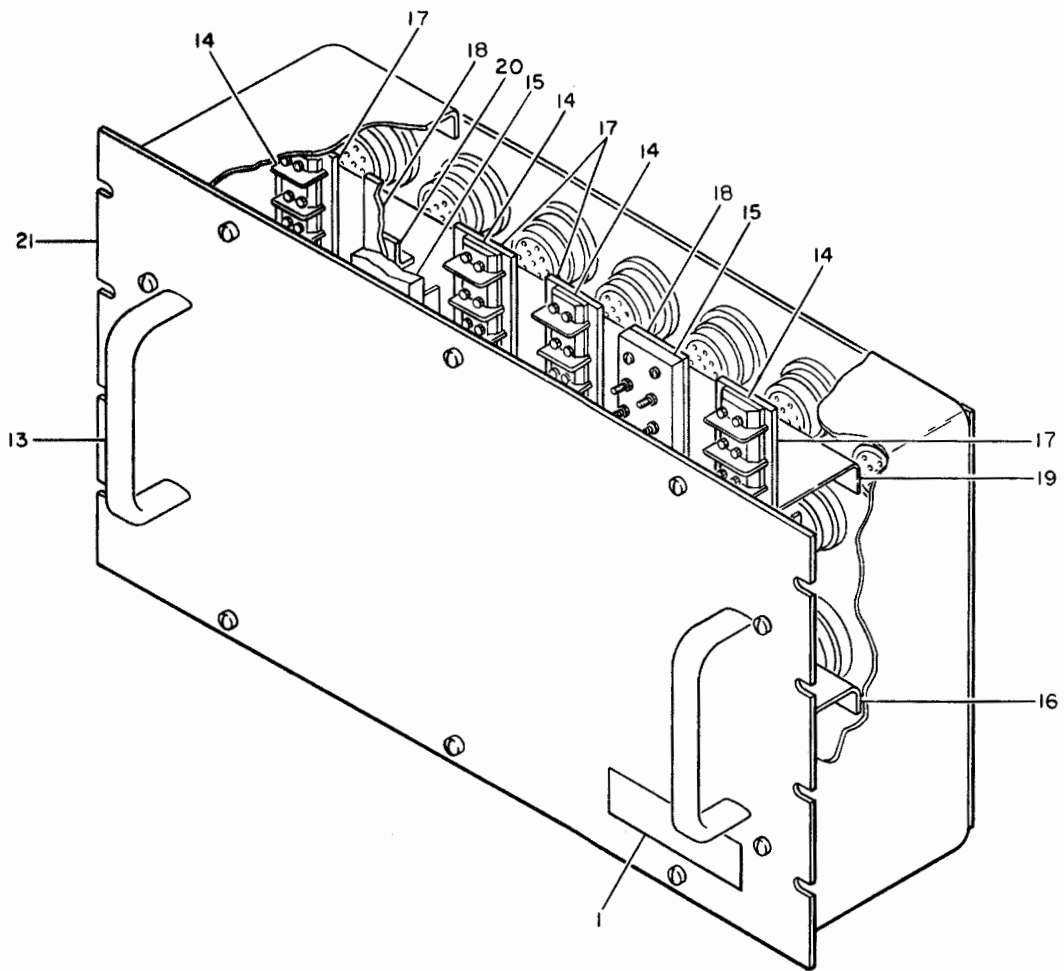


Figure 17. Interconnecting Box J-2150/FLR-9(V)

FIG. AND INDEX NO.	MFR PART NUMBER	DESCRIPTION	1 2 3 4 5 6 7 8 9									MFR CODE	UNITS PER ASSY	USABLE ON CODE	
17 -	89-724731-1	. . . INTERCONNECTING BOX J-2150/FLR-9/V/ FOR NHA SEE FIG. 15-4												REF	
- 1	74-725900-444	. . . PLATE, IDENTIFICATION												1	
- 2	MS21318-8 254	. . . . SCREW												4	
- 3	181-1/2	. . . . CONNECTOR, RECEPTACLE, ELECTRICAL PER 07397 DWG SPEC 70-801870-1											59730	1	
- 3	68371-1/2	. . . . JUNCTION BOX PER 07397 DWG SPEC 81-801877-1											03743	1	
	MS51959-29	. . . . JUNCTION BOX PER 07397 DWG SPEC 81-801877-1											78229	REF	
	MS51959-29	. . . . SCREW												2	
- 4	5262	. . . . CONNECTOR, RECEPTACLE, ELECTRICAL PER 07397 DWG SPEC 73-801773-2											74545	2	
	MS51959-29	. . . . ATTACHING PARTS												2	
	MS51959-29	. . . . SCREW												2	
- 5	82-724582-1	. . . . PANEL, MOUNTING												1	



31R1-2GRA96-4-23

REAR VIEW

Figure 18. Distribution Box J-2550/FLR-9(V)



FIG. AND INDEX NO.	MFR PART NUMBER	DESCRIPTION	MFR CODE	UNITS PER ASSY	USABLE ON CODE			
						1	2	3
18 -	02-727827-1	. . . DISTRIBUTION BOX J-2550/FLR-9/V/ FOR NHA SEE FIG. 15-6		REF				
- 1	74-725900-581	. . . PLATE, IDENTIFICATION		1				
	MS21318-8	ATTACHING PARTS . . . SCREW		4				
	B1616SCD01	. . . CONTACT, ELECTRICAL PER 07397 DWG SPEC 73-802109-3	71468	152				
	0007-013-000	. . . CONTACT, ELECTRICAL PER 07397 DWG SPEC 73-802109-3	11139	REF				
- 2	PT07SE20-16S	. . . CONNECTOR, RECEPTACLE, ELECTRICAL PER 07397 DWG SPEC 73-802019-150	77820	2				
	KPTM07E20-16SF120	. . . CONNECTOR, RECEPTACLE, ELECTRICAL PER 07397 DWG SPEC 73-802019-150	71468	REF				
- 3	PT07SE18-11SX	. . . CONNECTOR, RECEPTACLE, ELECTRICAL PER 07397 DWG SPEC 73-802019-122	77820	2				
	KPTM07E18-11SX120	. . . CONNECTOR, RECEPTACLE, ELECTRICAL PER 07397 DWG SPEC 73-802019-122	71468	REF				
- 4	PT07SE18-11SY	. . . CONNECTOR, RECEPTACLE, ELECTRICAL PER 07397 DWG SPEC 73-802019-123	77820	1				
	KPTM07E18-11SY120	. . . CONNECTOR, RECEPTACLE, ELECTRICAL PER 07397 DWG SPEC 73-802019-123	71468	REF				
- 5	PT07SE18-11SW	. . . CONNECTOR, RECEPTACLE, ELECTRICAL PER 07397 DWG SPEC 73-802019-121	77820	2				
	KPTM07E18-11SW120	. . . CONNECTOR, RECEPTACLE, ELECTRICAL PER 07397 DWG SPEC 73-802019-121	71468	REF				
- 6	PT07SE18-11S	. . . CONNECTOR, RECEPTACLE, ELECTRICAL PER 07397 DWG SPEC 73-802019-120	77820	3				
	KPTM07E18-11SF120	. . . CONNECTOR, RECEPTACLE, ELECTRICAL PER 07397 DWG SPEC 73-802019-120	71468	REF				
- 7	PT07SE14-5S	. . . CONNECTOR, RECEPTACLE, ELECTRICAL PER 07397 DWG SPEC 73-802019-52	77820	2				
	KPTM07E14-5SF120	. . . CONNECTOR, RECEPTACLE, ELECTRICAL PER 07397 DWG SPEC 73-802019-52	71468	REF				
- 8	PT07SE18-11SZ	. . . CONNECTOR, RECEPTACLE, ELECTRICAL PER 07397 DWG SPEC 73-802019-124	77820	2				
	KPTM07E18-11SZ120	. . . CONNECTOR, RECEPTACLE, ELECTRICAL PER 07397 DWG SPEC 73-802019-124	71468	REF				
- 9	7410B	. . . CONNECTOR, RECEPTACLE, ELECTRICAL PER 07397 DWG SPEC 73-801796-4	74545	3				
		ATTACHING PARTS						
	MS51957-26	. . . SCREW		6				
	MS35338-136	. . . WASHER		6				
	MS15795-805	. . . WASHER		6				
- 10	7408	. . . CONNECTOR, RECEPTACLE, ELECTRICAL PER 07397 DWG SPEC 73-801796-3		1				
		ATTACHING PARTS						
	MS51957-44	. . . SCREW		4				
	MS15795-807	. . . WASHER		4				
	NAS679X08	. . . NUT		4				
- 11	AN3064-20	. . . BOX CONNECTOR		2				
	AN3066-20	. . . NUT		2				
	AN3420-20	. . . BUSHING		1				
	MS3057-20A	. . . CLAMP		2				
- 12	82-728515-1	. . . PLATE, MOUNTING		1				
		ATTACHING PARTS						
	MS51957-29	. . . SCREW		18				
	MS15795-805	. . . WASHER		18				
	NAS679X06	. . . NUT		10				
- 13	2385-2	. . . HANDLE, BOW PER 07397 DWG SPEC 74-801832-2	71279	2				
		ATTACHING PARTS						
	MS51957-64	. . . SCREW		4				
	MS35338-138	. . . WASHER		4				
	MS15795-808	. . . WASHER		4				
- 14	602GMF2202-12MS602-12GMG	. . . TERMINAL BOARD PER 07397 DWG SPEC 73-801825-24	75382	4				
	12-21MM8MS21-12	. . . TERMINAL BOARD PER 07397 DWG SPEC 73-801825-24	00629	REF				
	742-12-06-00623	. . . TERMINAL BOARD PER 07397 DWG SPEC 73-801825-24	88223	REF				
		ATTACHING PARTS						
	MS51957-48	. . . SCREW		16				
	MS15795-807	. . . WASHER		16				
	NAS679X08	. . . NUT		16				

FIG. AND INDEX NO.	MFR PART NUMBER	DESCRIPTION	MFR CODE	UNITS	USABLE
				PER ASSY	ON CODE
		1 2 3 4 5 6 7 8 9			
18 - 15	83-725653-1	. . . . BAR, TERMINAL ATTACHING PARTS		2	
	MS51957-48	. . . . SCREW		8	
	MS15795-807	. . . . WASHER		8	
	NAS679X08	. . . . NUT		8	
		- - - * - - -			
- 16	82-728517-1	. . . . BRACKET, MOUNTING ATTACHING PARTS		1	
	MS51957-29	. . . . SCREW		6	
	MS15795-805	. . . . WASHER		6	
		- - - * - - -			
- 17	82-728518-1	. . . . BRACKET, MOUNTING		4	
- 18	82-728518-2	. . . . BRACKET, MOUNTING ATTACHING PARTS		2	
	MS51957-29	. . . . SCREW		6	
	MS15795-805	. . . . WASHER		6	
	NAS679X06	. . . . NUT		6	
		- - - * - - -			
- 19	82-728516-1	. . . . BRACKET, MOUNTING ATTACHING PARTS		1	
	MS51957-29	. . . . SCREW		6	
	MS15795-805	. . . . WASHER		6	
		- - - * - - -			
- 20	82-728527-1	. . . . BRACKET, ANGLE		6	
- 21	82-728514-1	. . . . CHASSIS, ELECTRICAL EQUIPMENT		1	

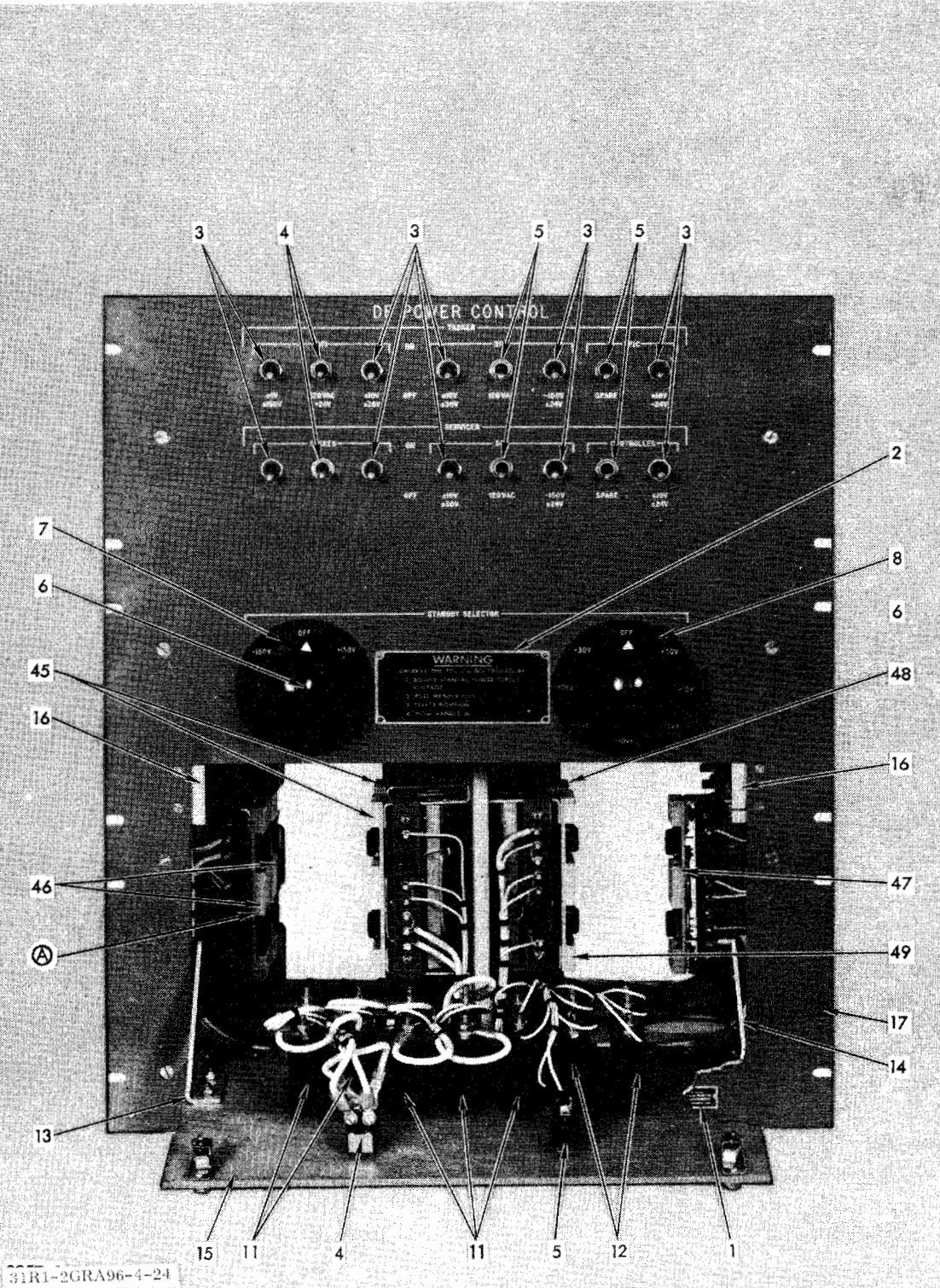


Figure 19. Power Distribution Panel SB-2447/FLR-9(V) (Sheet 1 of 4)

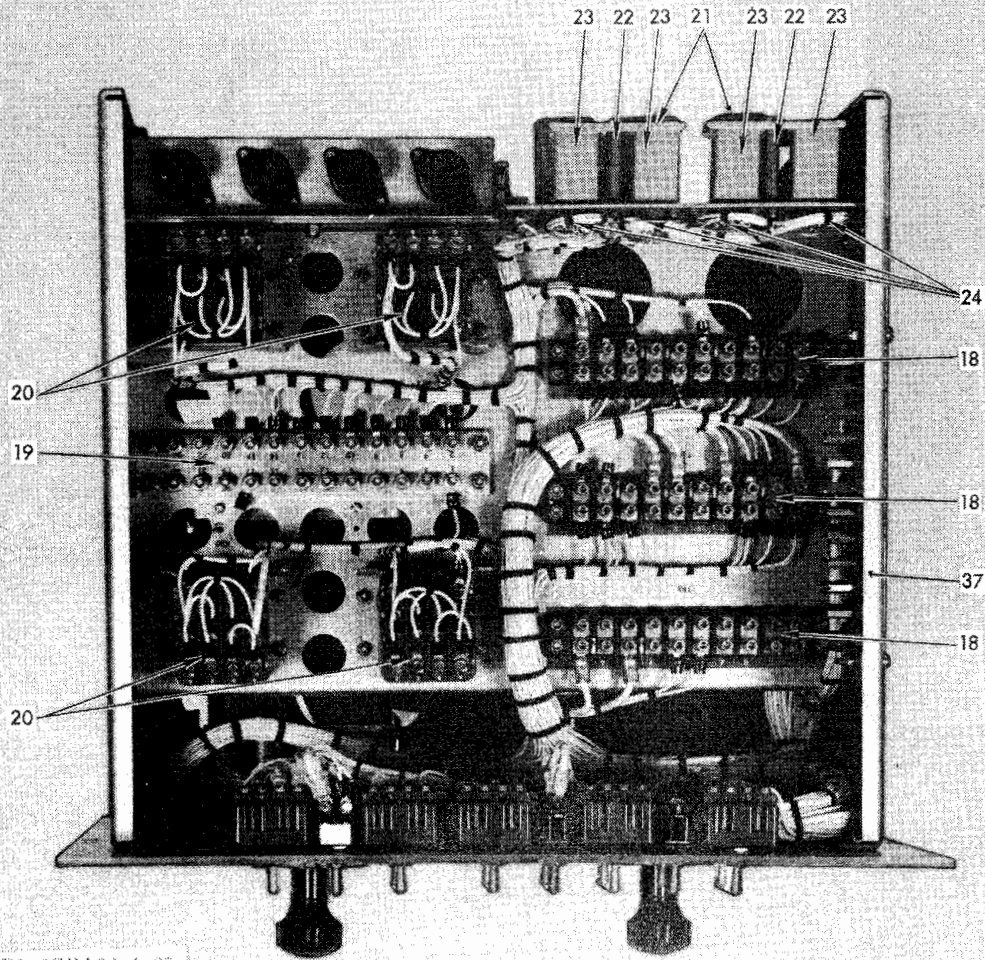
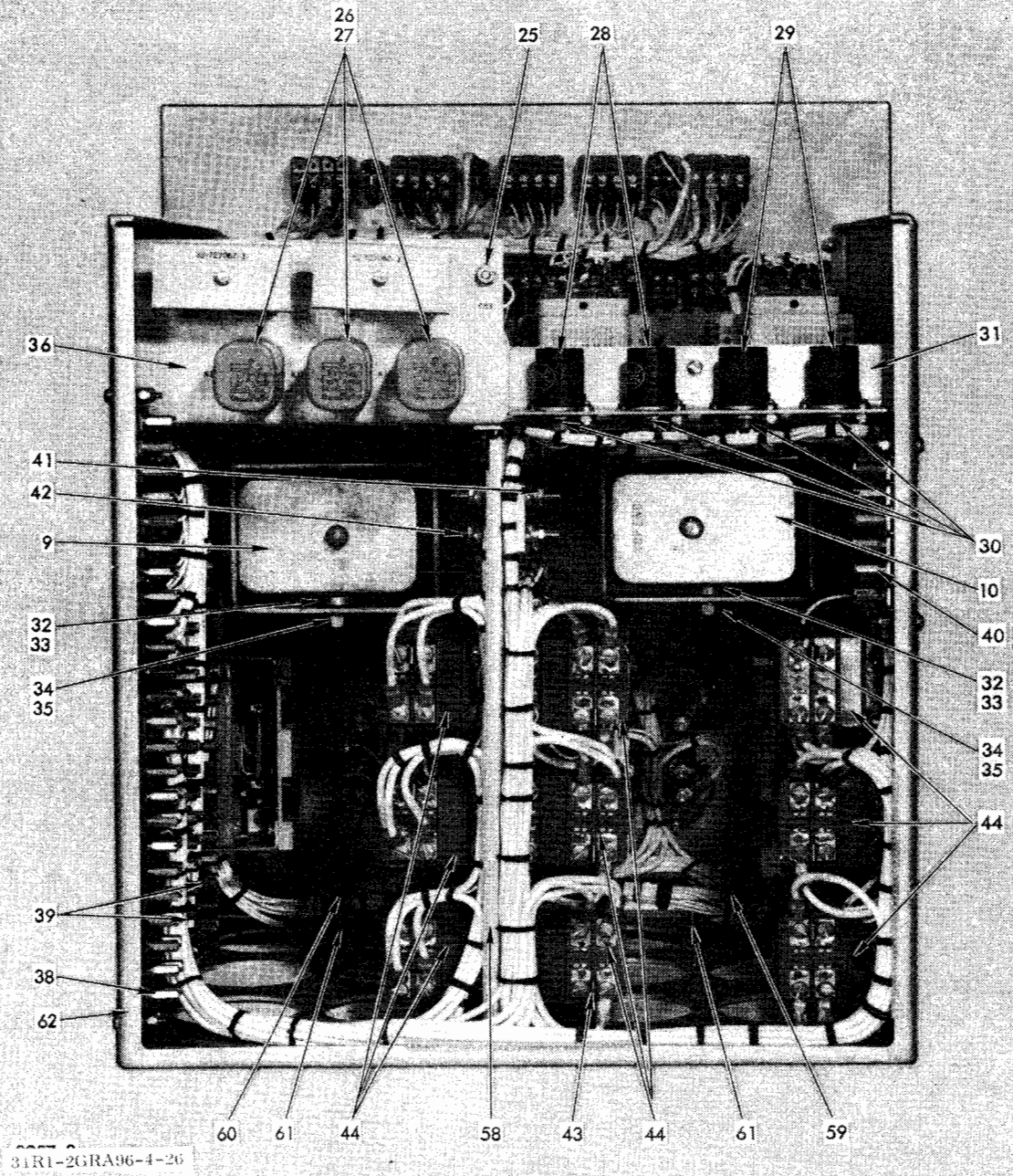


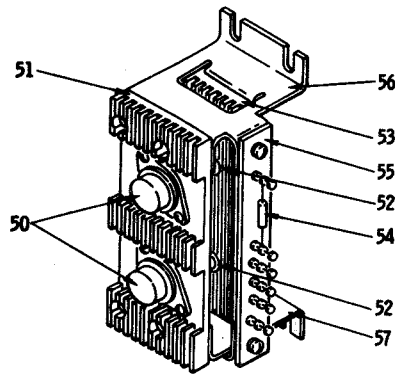
Figure 19. Power Distribution Panel SB-2447/FLR-9(V) (Sheet 2 of 4)





31R1-2GRA96-4-26

Figure 19. Power Distribution Panel SB-2447/FLR-9(V) (Sheet 3 of 4)



DETAIL A

31R1-2GRA96-4-27

Figure 19. Power Distribution Panel SB-2447/FLR-9(V) (Sheet 4 of 4)

FIG. AND INDEX NO.	MFR PART NUMBER	DESCRIPTION									MFR CODE	UNITS PER ASSY	USABLE ON CODE
		1	2	3	4	5	6	7	8	9			
19 -	02-728543-1	. . .	. . .	. . .	. . .	. . .	. . .	. . .	. . .	. . .		REF	
- 1	74-725900-622	. . . .	. . . .	. . . .	. . . .	. . . .	. . . .	. . . .	. . . .	. . . .		1	
- 2	82-725629-1	. . . .	. . . .	. . . .	. . . .	. . . .	. . . .	. . . .	. . . .	. . . .		1	
	MS21318-8	. . . .	. . . .	. . . .	. . . .	. . . .	. . . .	. . . .	. . . .	. . . .		8	
- 3	MS24525-22	. . . .	. . . .	. . . .	. . . .	. . . .	. . . .	. . . .	. . . .	. . . .		10	
- 4	MS35059-22	. . . .	. . . .	. . . .	. . . .	. . . .	. . . .	. . . .	. . . .	. . . .		3	
- 5	MS35058-22	. . . .	. . . .	. . . .	. . . .	. . . .	. . . .	. . . .	. . . .	. . . .		5	
- 6	89-726777-1	. . . .	. . . .	. . . .	. . . .	. . . .	. . . .	. . . .	. . . .	. . . .		2	
- 7	74-725630-1	. . . .	. . . .	. . . .	. . . .	. . . .	. . . .	. . . .	. . . .	. . . .		1	
- 8	74-725659-1	. . . .	. . . .	. . . .	. . . .	. . . .	. . . .	. . . .	. . . .	. . . .		1	
	MS51959-15	. . . .	. . . .	. . . .	. . . .	. . . .	. . . .	. . . .	. . . .	. . . .		9	
- 9	0156A3471G1X2TF	. . . .	. . . .	. . . .	. . . .	. . . .	. . . .	. . . .	. . . .	. . . .	03497	1	
- 10	0165A9863G1X2TF	. . . .	. . . .	. . . .	. . . .	. . . .	. . . .	. . . .	. . . .	. . . .	03497	1	
	MS51960-69	. . . .	. . . .	. . . .	. . . .	. . . .	. . . .	. . . .	. . . .	. . . .		6	
	NAS43DD3-12	. . . .	. . . .	. . . .	. . . .	. . . .	. . . .	. . . .	. . . .	. . . .		6	
	NAS679X3	. . . .	. . . .	. . . .	. . . .	. . . .	. . . .	. . . .	. . . .	. . . .		6	
- 11	PAM12SSKMG6-3-50DC	. . . .	. . . .	. . . .	. . . .	. . . .	. . . .	. . . .	. . . .	. . . .	74193	5	
- 12	PAM12SSKMG6-1.4-50DC	. . . .	. . . .	. . . .	. . . .	. . . .	. . . .	. . . .	. . . .	. . . .	74193	2	
	MS51957-29	. . . .	. . . .	. . . .	. . . .	. . . .	. . . .	. . . .	. . . .	. . . .		14	
	MS15795-805	. . . .	. . . .	. . . .	. . . .	. . . .	. . . .	. . . .	. . . .	. . . .		14	
	MS35338-136	. . . .	. . . .	. . . .	. . . .	. . . .	. . . .	. . . .	. . . .	. . . .		14	

FIG. AND INDEX NO.	MFR PART NUMBER	DESCRIPTION	MFR CODE	UNITS PER ASSY	USABLE ON CODE			
						1	2	3
19 - 13	82-726114-1	. . . . BRACKET, RETAINER		1				
- 14	82-726114-2	. . . . BRACKET, RETAINER		1				
	MS51959-46	ATTACHING PARTS						
	MS15795-807	. . . . SCREW		4				
	NAS679X08	. . . . WASHER		4				
		. . . . NUT		4				
- 15	82-728577-1	. . . . PANEL, MOUNTING		1				
	MS51959-17	ATTACHING PARTS						
	MS15795-803	. . . . SCREW		7				
	NAS679X04	. . . . WASHER		7				
		. . . . NUT		7				
- 16	82-725626-1	. . . . BRACKET, RETAINER		2				
	MS51959-31	ATTACHING PARTS						
	MS15795-805	. . . . SCREW		4				
	NAS679X06	. . . . WASHER		4				
		. . . . NUT		4				
- 17	82-728576-1	. . . . PANEL, MOUNTING		1				
	MS51960-66	ATTACHING PARTS						
	MS15795-808	. . . . SCREW		12				
	NAS679X3	. . . . WASHER		12				
		. . . . NUT		12				
- 18	602GMF2202-10MS602-10GMG	. . . . TERMINAL BOARD PER 07397 DWG SPEC	75382	3				
	10-21MM8MS21-10	73-801825-19	00629	REF				
	742-10-06-00618	. . . . TERMINAL BOARD PER 07397 DWG SPEC	88223	REF				
		73-801825-19						
	MS51957-48	ATTACHING PARTS						
	MS15795-807	. . . . SCREW		12				
	NAS679X08	. . . . WASHER		12				
		. . . . NUT		12				
- 19	83-725653-1	. . . . BAR, TERMINAL		1				
	MS51957-48	ATTACHING PARTS						
	MS15795-807	. . . . SCREW		4				
	NAS679X08	. . . . WASHER		4				
		. . . . NUT		4				
- 20	MS25024-2	. . . . RELAY		4				
	MS51957-29	ATTACHING PARTS						
	MS15795-805	. . . . SCREW		16				
	NAS679X06	. . . . WASHER		16				
		. . . . NUT		16				
- 21	82-727062-1	. . . . RETAINER, RELAY		2				
	MS51957-45	ATTACHING PARTS						
	MS15795-807	. . . . SCREW		2				
	MS35338-137	. . . . WASHER		2				
		. . . . WASHER		2				
- 22	70-727061-1	. . . . STANDOFF		2				
- 23	5346-22HP	. . . . RELAY, ARMATURE PER 07397 DWG SPEC	82415	4				
		31-801880-1						
- 24	TS103P02	. . . . SOCKET		4				
	MS51957-14	ATTACHING PARTS						
	MS15795-803	. . . . SCREW		8				
	MS35338-135	. . . . WASHER		8				
	MS35649-244	. . . . WASHER		8				
		. . . . NUT		8				
- 25	1N2992B	. . . . SEMICONDUCTOR DEVICE, DIODE		1				
- 26	3SAA1046	. . . . RELAY PER 07397 DWG SPEC	01526	3				
		31-801852-1						
	MS35649-284	ATTACHING PARTS						
	MS35338-137	. . . . NUT		9				
	MS15795-807	. . . . WASHER		9				
		. . . . WASHER		9				
- 27	TS1405P01	. . . . SOCKET		3				
	MS51957-14	ATTACHING PARTS						
	MS15795-803	. . . . SCREW		6				
	MS35338-135	. . . . WASHER		6				
	MS35649-244	. . . . WASHER		6				
		. . . . NUT		6				

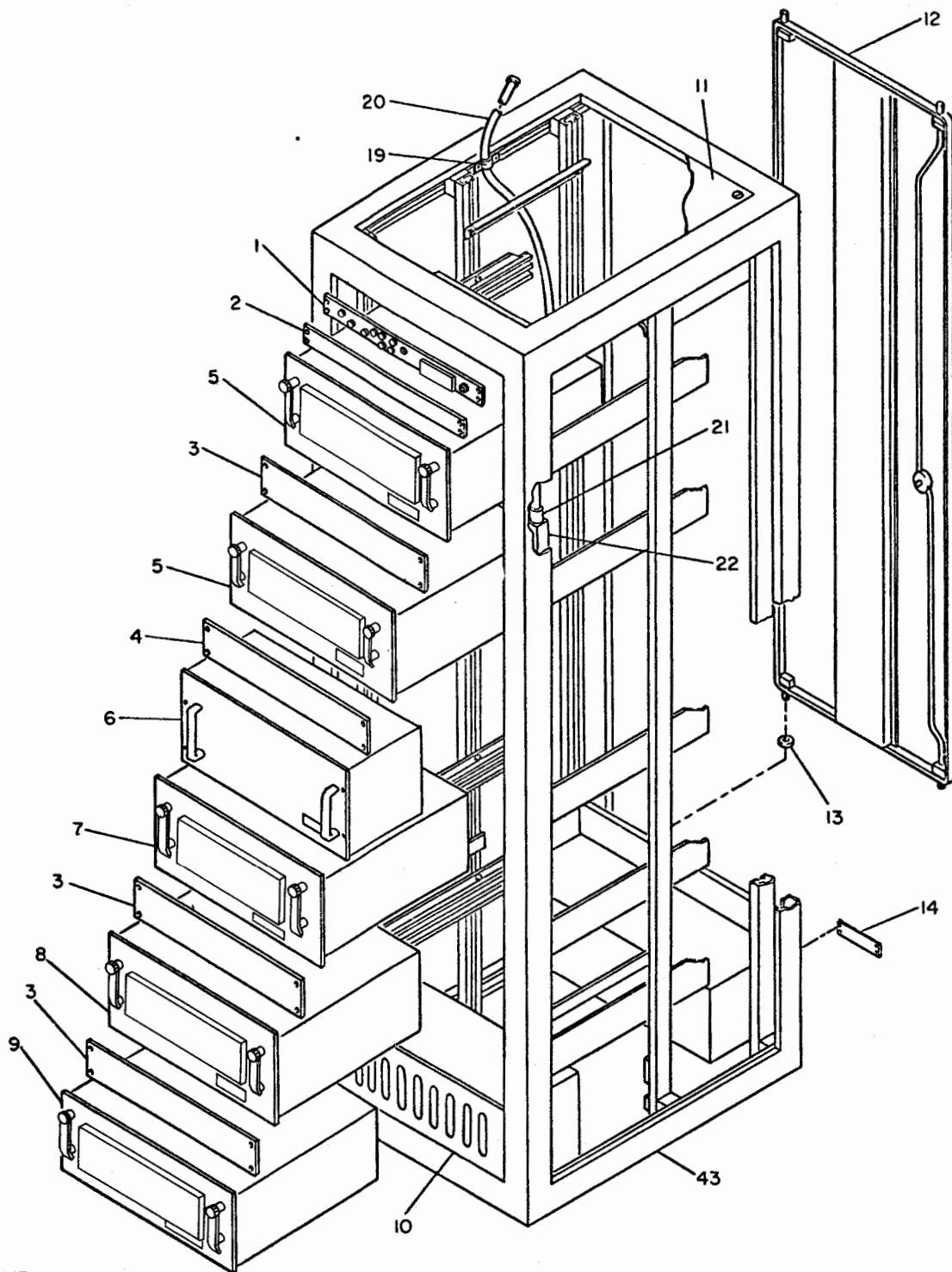
T.O. 31R1-2GRA96-4

FIG. AND INDEX NO.	MFR PART NUMBER	DESCRIPTION	MFR CODE	UNITS PER ASSY	USABLE ON CODE			
						1	2	3
19 - 28	MHJL012D12.0VDC	. . . . RELAY, ARMATURE PER 07397 DWG SPEC 31-801763-4	70309	2				
- 29	MHJL012D26.5VDC	. . . . RELAY, ARMATURE PER 07397 DWG SPEC 31-801763-1	70309	2				
- 30	16185-1	. . . . SOCKET, RELAY PER 07397 DWG SPEC 73-801767-1	70309	4				
		ATTACHING PARTS						
	MS51957-14	. . . . SCREW		8				
	MS15795-803	. . . . WASHER		8				
	MS35338-135	. . . . WASHER		8				
	MS35649-244	. . . . NUT		8				
		- - - * - - -						
- 31	82-727010-1	. . . . BRACKET, RELAY MOUNTING		1				
		ATTACHING PARTS						
	MS51957-45	. . . . SCREW		3				
	MS15795-807	. . . . WASHER		3				
	NAS679X08	. . . . NUT		3				
		- - - * - - -						
- 32	82-728593-1	. . . . WASHER, PADDED		2				
- 33	82-728594-1	. . . . BUSHING, SLEEVE		2				
	MS51959-15	. . . . SCREW		2				
	MS15795-814	. . . . WASHER		2				
- 34	MS51971-3	. . . . NUT		2				
- 35	81-728595-1	. . . . BOLT, INTERNALLY RELIEVED		2				
- 36	89-728591-1	. . . . BRACKET, MOUNTING		1				
		ATTACHING PARTS						
	MS51957-45	. . . . SCREW		12				
	MS15795-807	. . . . WASHER		12				
	NAS679X08	. . . . NUT		12				
		- - - * - - -						
- 37	602GMF 2202-12MS602-12GMG	. . . . TERMINAL BOARD PER 07397 DWG SPEC 73-801825-24	75382	1				
	12-21MM8MS21-12	□ . . . . TERMINAL BOARD PER 07397 DWG SPEC 73-801825-24	00629	REF				
	742-12-06-00623	□ . . . . TERMINAL BOARD PER 07397 DWG SPEC 73-801825-24	88223	REF				
		ATTACHING PARTS						
	MS51957-48	. . . . SCREW		4				
	MS15795-807	. . . . WASHER		4				
	NAS679X08	. . . . NUT		4				
		- - - * - - -						
- 38	602GMF 2202-24MS602-24GMG	. . . . TERMINAL BOARD PER 07397 DWG SPEC 73-801825-26	75382	1				
	24-21MM8MS21-24	□ . . . . TERMINAL BOARD PER 07397 DWG SPEC 73-801825-26	00629	REF				
	742-24-06-00625	□ . . . . TERMINAL BOARD PER 07397 DWG SPEC 73-801825-26	88223	REF				
- 39	602GMF 2202-18MS602-18GMG	. . . . TERMINAL BOARD PER 07397 DWG SPEC 73-801825-25	75382	2				
	18-21MM8MS21-18	□ . . . . TERMINAL BOARD PER 07397 DWG SPEC 73-801825-25	00629	REF				
	742-18-06-00624	□ . . . . TERMINAL BOARD PER 07397 DWG SPEC 73-801825-25	88223	REF				
- 40	602GMF 2202-6MS602-6GMG	. . . . TERMINAL BOARD PER 07397 DWG SPEC 73-801825-17	75382	1				
	6-21MM8MS21-6	□ . . . . TERMINAL BOARD PER 07397 DWG SPEC 73-801825-17	00629	REF				
	742-6-06-00616	□ . . . . TERMINAL BOARD PER 07397 DWG SPEC 73-801825-17	88223	REF				
		ATTACHING PARTS						
	MS51957-48	. . . . SCREW		16				
	MS15795-807	. . . . WASHER		16				
	NAS679X08	. . . . NUT		16				
		- - - * - - -						
- 41	83-725652-2	. . . . BUS BAR		1				
- 42	83-725652-1	. . . . BUS BAR		1				
		ATTACHING PARTS						
	MS15795-807	. . . . WASHER		4				
	NAS679X08	. . . . NUT		4				
		- - - * - - -						
- 43	602	. . . . JUMPER, TERMINAL PER 07397 DWG SPEC 73-801957-1	75382	40				
- 44	G54554	. . . . RELAY PER 07397 DWG SPEC 31-801874-1	73949	9				
		ATTACHING PARTS						
	MS51957-29	. . . . SCREW		36				
	MS15795-805	. . . . WASHER		36				
	NAS679X06	. . . . NUT		36				
		- - - * - - -						



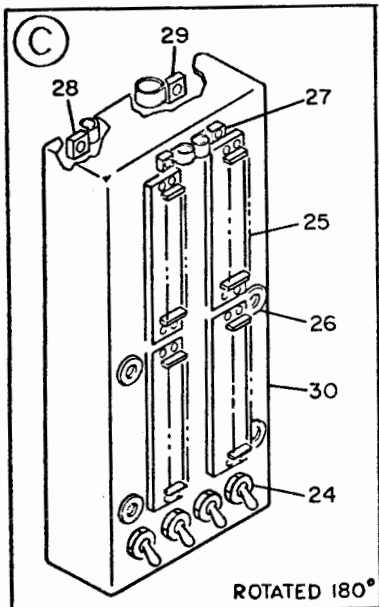
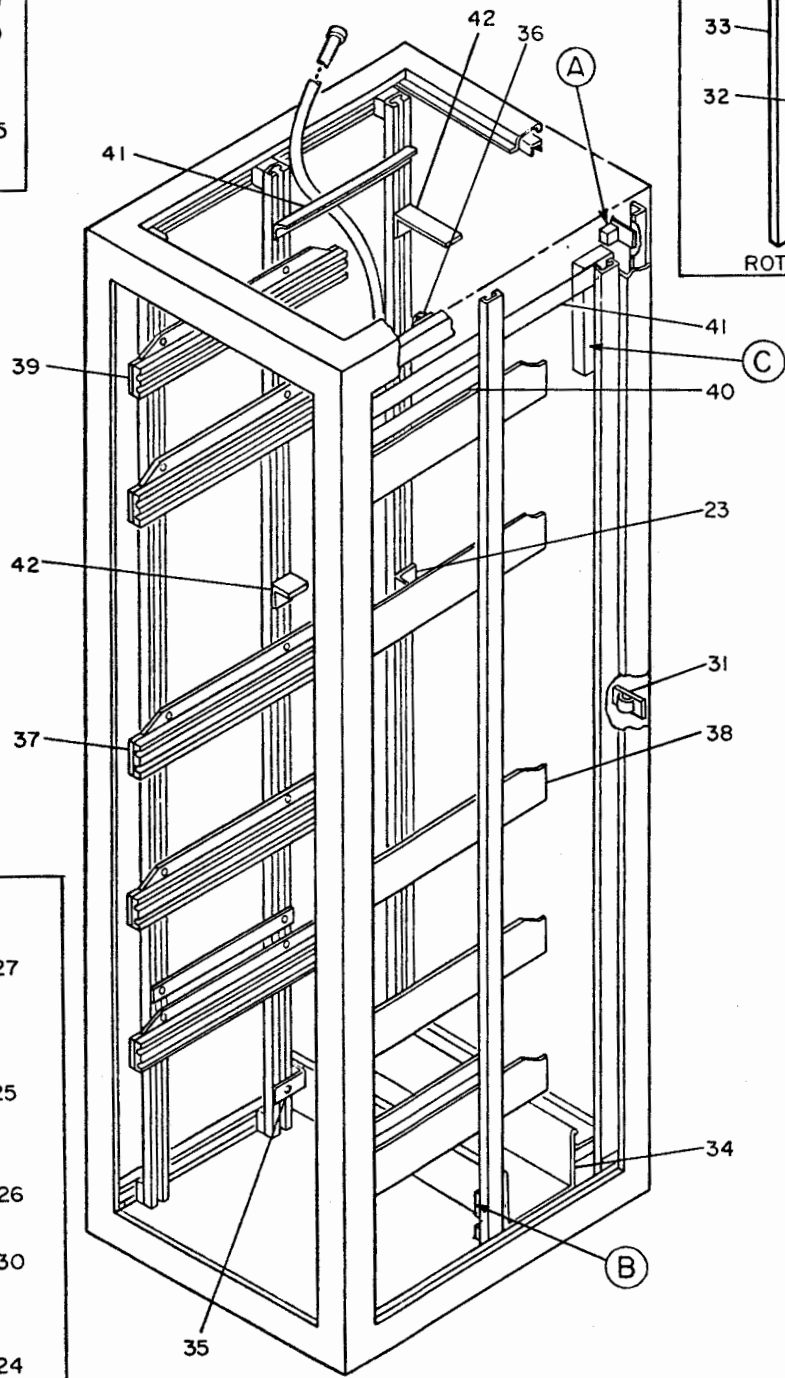
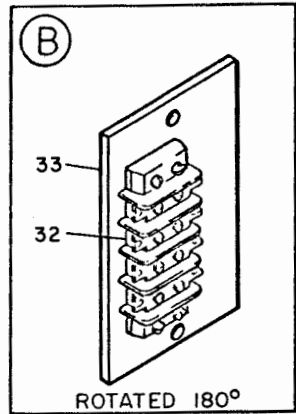
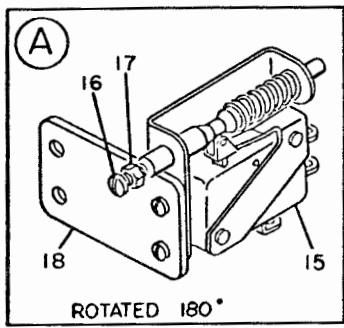
FIG. AND INDEX NO.	MFR PART NUMBER	DESCRIPTION	MFR CODE	UNITS PER ASSY	USABLE ON CODE			
						1	2	3
19 - 45	89-725656-3	. . . . . HEAT SINK ASSEMBLY		2				
- 46	89-725656-1	. . . . . HEAT SINK ASSEMBLY		2				
- 47	89-725656-5	. . . . . HEAT SINK ASSEMBLY		1				
- 48	89-725656-7	. . . . . HEAT SINK ASSEMBLY		1				
- 49	89-725656-11	. . . . . HEAT SINK ASSEMBLY		1				
		ATTACHING PARTS						
	MS51957-28	. . . . . SCREW		28				
	MS15795-805	. . . . . WASHER		28				
	NAS679X06	. . . . . NUT		28				
		--- * ---						
- 50	1N2810RB	. . . . . SEMICONDUCTOR DEVICE, DIODE USED ON 89-725656-1 AND 89-725656-3		2				
	1N2810B	. . . . . SEMICONDUCTOR DEVICE, DIODE USED ON 89-725656-5		2				
	1N2824B	. . . . . SEMICONDUCTOR DEVICE, DIODE USED ON 89-725656-7		2				
	1N2824RB	. . . . . SEMICONDUCTOR DEVICE, DIODE USED ON 89-725656-11		2				
		ATTACHING PARTS						
	MS51957-16	. . . . . SCREW		4				
	MS35338-135	. . . . . WASHER		4				
	MS15795-803	. . . . . WASHER		4				
	MS35649-244	. . . . . NUT		4				
		--- * ---						
- 51	82-725662-3	. . . . . HEAT SINK TOP USED ON 89-725656-3		1				
	82-725662-1	. . . . . HEAT SINK TOP USED ON 89-725656-1		1				
	82-725662-5	. . . . . HEAT SINK TOP USED ON 89-725656-5		1				
	82-725662-7	. . . . . HEAT SINK TOP USED ON 89-725656-7		1				
	82-725662-9	. . . . . HEAT SINK TOP USED ON 89-725656-11		1				
		ATTACHING PARTS						
	MS51957-28	. . . . . SCREW		4				
	MS35338-136	. . . . . WASHER		4				
	MS15795-805	. . . . . WASHER		4				
	MS35649-264	. . . . . NUT		4				
		--- * ---						
- 52	1N249B	. . . . . SEMICONDUCTOR DEVICE, DIODE		2				
		ATTACHING PARTS						
	MS25082-4	. . . . . NUT		2				
	MS15795-810	. . . . . WASHER		2				
	MS35338-139	. . . . . WASHER		2				
		--- * ---						
- 53	82-725663-1	. . . . . HEAT SINK, BOTTOM		1				
		ATTACHING PARTS						
	MS51957-28	. . . . . SCREW		4				
	MS35338-136	. . . . . WASHER		4				
	MS15795-805	. . . . . WASHER		4				
	MS35649-264	. . . . . NUT		4				
		--- * ---						
- 54	RC20GF391J	. . . . . RESISTOR, USED ON 89-725656-3 AND 89-725656-5		1				
	RW58V2R0	. . . . . RESISTOR USED ON 89-725656-7		1				
	RC32GF202J	. . . . . RESISTOR USED ON 89-725656-11		1				
- 55	89-725631-1	. . . . . TERMINAL BOARD		1				
		ATTACHING PARTS						
	MS51957-28	. . . . . SCREW		2				
	MS35338-136	. . . . . WASHER		2				
	MS15795-805	. . . . . WASHER		2				
	MS35649-264	. . . . . NUT		2				
		--- * ---						
- 56	82-725661-3	. . . . . BRACKET USED ON 89-725656-3		1				
	82-725661-1	. . . . . BRACKET USED ON 89-725656-1		1				
	82-725661-5	. . . . . BRACKET USED ON 89-725656-5		1				
	82-725661-7	. . . . . BRACKET USED ON 89-725656-7		1				
	82-725661-9	. . . . . BRACKET USED ON 89-725656-11		1				
- 57	82-725661-4	. . . . . BRACKET USED ON 89-725656-3		1				
	82-725661-2	. . . . . BRACKET USED ON 89-725656-1		1				
	82-725661-6	. . . . . BRACKET USED ON 89-725656-5		1				
	82-725661-10	. . . . . BRACKET USED ON 89-725656-11		1				
- 58	82-725651-1	. . . . . PLATE, DIVIDER		1				
		ATTACHING PARTS						
	MS51957-45	. . . . . SCREW		4				
	MS15795-807	. . . . . WASHER		4				
	NAS679X08	. . . . . NUT		4				
		--- * ---						

FIG. AND INDEX NO.	MFR PART NUMBER	DESCRIPTION	MFR CODE	UNITS PER ASSY	USABLE ON CODE			
						1	2	3
19 - 59	MS25281-10	. . . . CLAMP, LOOP		3				
- 60	MS25281-7	. . . . CLAMP, LOOP		1				
		ATTACHING PARTS						
	MS51957-32	. . . . SCREW		4				
	MS15795-805	. . . . WASHER		4				
	MS35338-136	. . . . WASHER		4				
	D140CC	. . . . WASHER, SADDLE PER 07397 DWG SPEC 73-801798-6	95987	4				
	MS35649-264	. . . . NUT		4				
		- - - - -						
- 61	NAS43DD1-48	. . . . SPACER		4				
- 62	82-728592-1	. . . . CHASSIS, ELECTRICAL EQUIPMENT		1				



31R1-2GRA96-4-28

Figure 20. Communication Control Group AN/GRA-102 (Sheet 1 of 2)



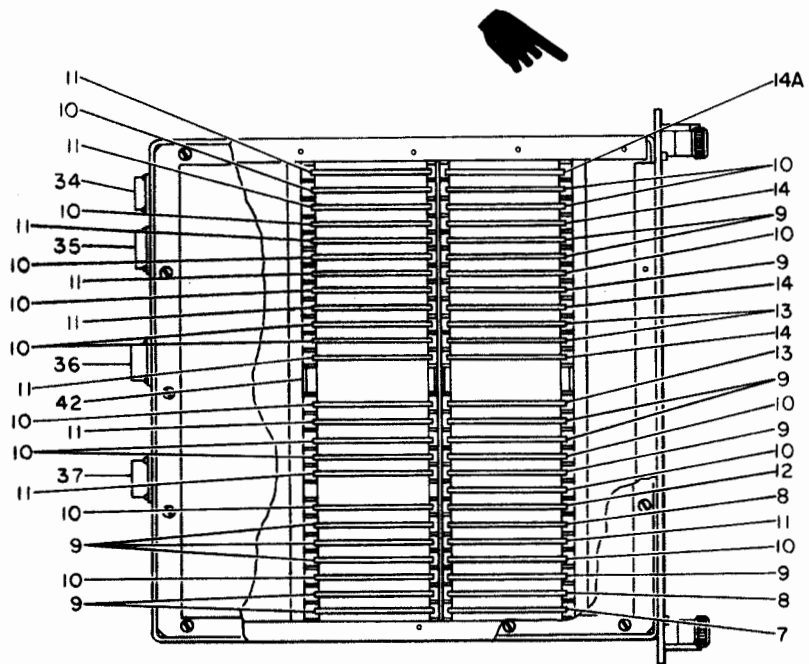
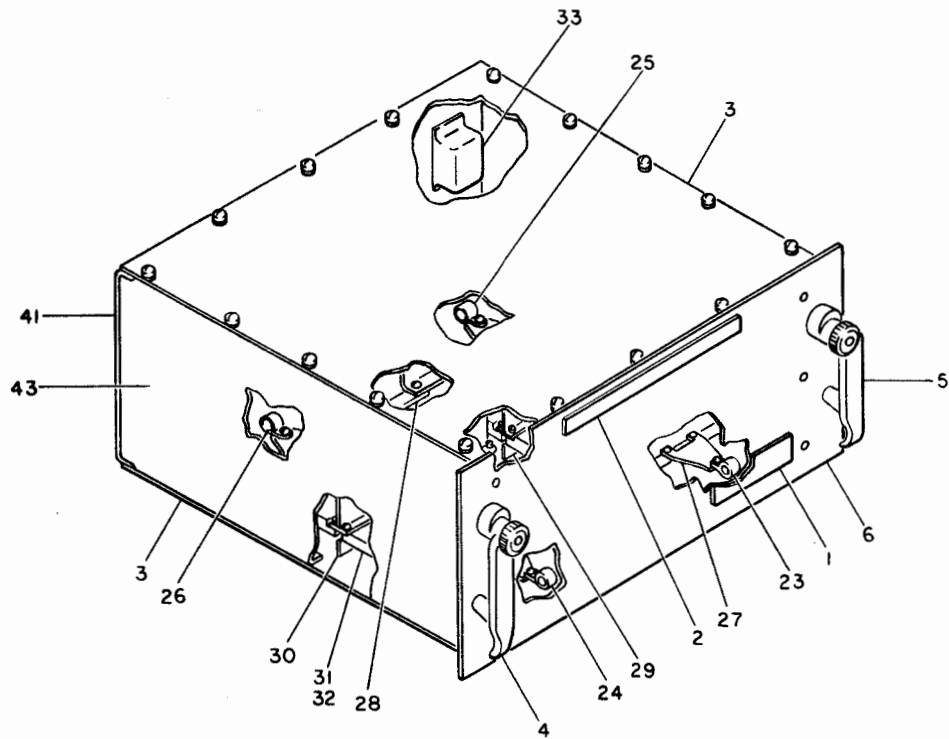
31R1-2GRA96-4-29

Figure 20. Communication Control Group AN/GRA-102 (Sheet 2 of 2)

FIG. AND INDEX NO.	MFR PART NUMBER	DESCRIPTION	MFR CODE	UNITS PER ASSY	USABLE ON CODE
20 -	2349737G3	. . COMMUNICATION CONTROL GROUP AN/GRA-102 FOR NHA SEE FIG. 1-6		REF	
- 1	02-725730-1	. . . PANEL, INDICATOR SEE FIG. 11		1	
- 2	82-724636-1	. . . PANEL, BLANK		1	
- 3	82-724089-1	. . . PANEL, BLANK		3	
- 4	82-724090-1	. . . PANEL, BLANK		1	
		ATTACHING PARTS			
	MS51958-64	. . . SCREW		24	
	MS15795-808	. . . WASHER		24	
	NW10-4374	. . . WASHER, NONMETALLIC PER 07397 DWG SPEC 70-801753-2	95987	24	
- 5	02-728320-1	. . . DECODER, TELETYPEWRITER MESSAGE SEE FIG. 21		2	
- 6	02-728311-1	. . . INTERCONNECTING BOX J-2549/FLR-9/V/ SEE FIG. 22		1	
		ATTACHING PARTS			
	MS51958-64	. . . SCREW		8	
	MS15795-808	. . . WASHER		8	
	NW10-4374	. . . WASHER, NONMETALLIC PER 07397 DWG SPEC 70-801753-2	95987	8	
- 7	02-728326-1	. . . TRANSMITTER, MESSAGE, TELETYPEWRITER SEE FIG. 21		1	
- 8	02-728325-1	. . . GENERATOR, MESSAGE, TELETYPEWRITER SEE FIG. 23		1	
- 9	02-728322-1	. . . ROUTER, DATA, DIGITAL SEE FIG. 24		1	
- 10	02-724633-1	. . . COOLER, AIR, ELECTRONIC EQUIPMENT SEE FIG. 8		1	
		ATTACHING PARTS			
	MS51958-64	. . . SCREW		4	
	MS35338-138	. . . WASHER		4	
	MS15795-808	. . . WASHER		4	
- 11	2471055G2	. . . CAP, TOP		1	
		ATTACHING PARTS			
	MS51959-35	. . . SCREW		4	
	MS15795-808	. . . WASHER		4	
	MS35338-138	. . . WASHER		4	
	MS35650-304	. . . NUT		4	
- 12	01-801600-61	. . . DOOR, CABINET		1	
- 13	AN9608416	. . . WASHER		1	
- 14	2471070G8	. . . PLATE, IDENTIFICATION		1	
		ATTACHING PARTS			
	MS21318-8	. . . SCREW		4	
		ATTACHING PARTS			
	89-725815-1	. . . SWITCH, ASSY, SENSITIVE		1	
		ATTACHING PARTS			
	MS51958-64	. . . SCREW		2	
	MS35338-138	. . . WASHER		2	
	MS15795-808	. . . WASHER		2	
- 15	MS16106-1	. . . SWITCH, SENSITIVE		1	
		ATTACHING PARTS			
	MS51957-27	. . . SCREW		2	
	MS15795-805	. . . WASHER		2	
	MS35338-136	. . . WASHER		2	
- 16	MS51957-33	. . . SCREW		1	
- 17	MS35649-264	. . . NUT		1	
- 18	82-724619-1	. . . PLATE, MOUNTING, SWITCH		1	
- 19	MS21919DG14	. . . CLAMP		1	
		ATTACHING PARTS			
	MS51957-48	. . . SCREW		1	
	MS15795-807	. . . WASHER		1	
	MS35338-137	. . . WASHER		1	
	81-726392-1	. . . WASHER, SQUARE		1	
	P4006-0832	. . . NUT, GANG, CHANNEL PER 07397 DWG SPEC 70-801745-1	96195	1	
- 20	1/2	. . . CONDUIT, METAL, FLEXIBLE, 1/2 INCH PER 07397 DWG SPEC 19-801862-1	78799	AR	
- 21	254	. . . CONNECTOR, ARMORED CABLE PER 07397 DWG SPEC 70-801870-1	59730	2	

FIG. AND INDEX NO.	MFR PART NUMBER	DESCRIPTION	MFR CODE	UNITS PER ASSY	USABLE ON CODE			
						1	2	3
20 - 22	20GB303	. . . STRIP, AC DISTRIBUTION PER 07397 DWG SPEC 70-802104-2	79725	1				
	MS51958-63	ATTACHING PARTS						
	MS15795-808	. . . SCREW		3				
	MS35338-138	. . . WASHER		6				
	MS35650-304	. . . WASHER		3				
		. . . NUT		3				
- 23	81-727727-1	. . . BRACKET, DOUBLE ANGLE		3				
	MS35307-307	ATTACHING PARTS						
	MS15795-818	. . . SCREW		3				
	MS35338-139	. . . WASHER		3				
	P4006-1420	. . . WASHER		3				
		. . . NUT, GANG, CHANNEL PER 07397 DWG SPEC 70-801745-3	96195	3				
	89-728721-1	. . . INTERCONNECTING BOX		1				
	MS51957-48	ATTACHING PARTS						
	MS15795-807	. . . SCREW		3				
	MS35338-137	. . . WASHER		3				
	P4006-0832	. . . WASHER		3				
		. . . NUT, GANG, CHANNEL PER 07397 DWG SPEC 70-801745-1	96195	3				
- 24	MS35059-23	. . . SWITCH, TOGGLE		4				
- 25	600GMF6MS600-6GMG	. . . TERMINAL BOARD PER 07397 DWG SPEC 73-801825-27	75382	4				
	6-14MM5MS14-6	. . . TERMINAL BOARD PER 07397 DWG SPEC 73-801825-27	00629	REF				
	740-6-06-00626	. . . TERMINAL BOARD PER 07397 DWG SPEC 73-801825-27	88223	REF				
	MS51957-32	ATTACHING PARTS						
	MS15795-805	. . . SCREW		16				
	MS21044C06	. . . WASHER		32				
		. . . NUT		16				
- 26	MS35489-104	. . . GROMMET, RUBBER		4				
- 27	MS25281-8	. . . CLAMP		2				
- 28	MS25281-5	. . . CLAMP		5				
- 29	MS25281-10	. . . CLAMP		1				
	MS51957-31	ATTACHING PARTS						
	MS15795-805	. . . SCREW		8				
	D6-140CC	. . . WASHER		8				
		. . . WASHER, SADDLE PER 07397 DWG SPEC 70-801798-2	95987	8				
	MS21044C06	. . . NUT		8				
- 30	82-728724	. . . CHASSIS, INTERCONNECTION BOX		1				
- 31	LSC-2	. . . CLAMP, LOOP PER 07397 DWG SPEC 70-801797-1	06383	5				
	MS51958-61	ATTACHING PARTS						
	MS35338-138	. . . SCREW		5				
	MS15795-808	. . . WASHER		5				
		. . . WASHER		5				
	89-726236-1	. . . TERMINAL BOARD ASSY, AIR SWITCH		1				
	MS51957-48	ATTACHING PARTS						
	MS15795-807	. . . SCREW		2				
	MS35338-137	. . . WASHER		2				
	P4006-0832	. . . WASHER		2				
		. . . NUT, GANG, CHANNEL PER 07397 DWG SPEC 70-801745-1	96195	2				
- 32	600GMFST4SIMS600-4 GMG	. . . TERMINAL BOARD PER 07397 DWG SPEC 73-801825-14	75382	1				
	4-14MMUUSMS14-4	. . . TERMINAL BOARD PER 07397 DWG SPEC 73-801825-14	00629	REF				
	740-4-06-00613	. . . TERMINAL BOARD PER 07397 DWG SPEC 73-801825-14	88223	REF				
	MS51959-31	ATTACHING PARTS						
	MS15795-808	. . . SCREW		4				
	MS35338-136	. . . WASHER		4				
	MS35649-264	. . . WASHER		4				
		. . . NUT		4				
- 33	82-726233-1	. . . BRACKET, TERMINAL BOARD		1				
- 34	82-727786-3	. . . RACK, CABLE, INTERIOR		1				
	MS51958-64	ATTACHING PARTS						
	MS15795-808	. . . SCREW		2				
	MS35338-138	. . . WASHER		2				
	MS35650-304	. . . WASHER		2				
		. . . NUT		2				

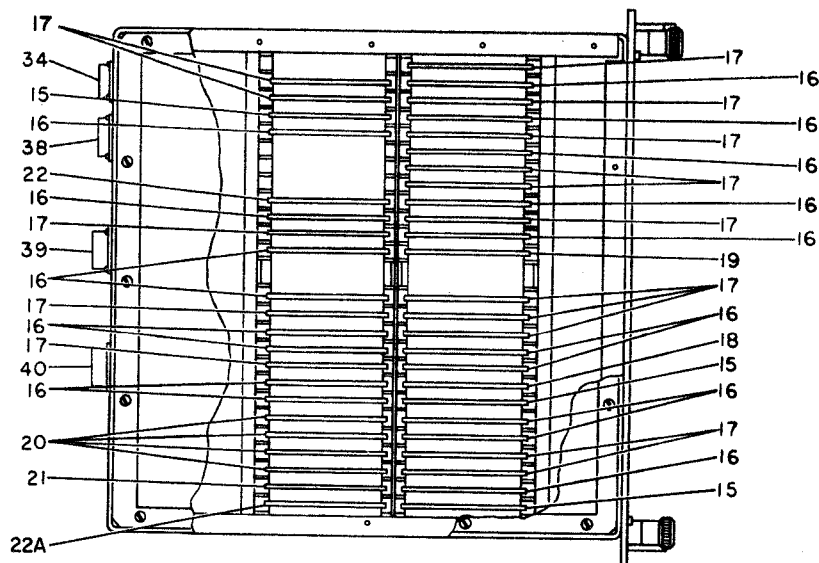
FIG. AND INDEX NO.	MFR PART NUMBER	DESCRIPTION	MFR CODE	UNITS PER ASSY	USABLE ON CODE			
						1	2	3
20 - 35	82-727787-1	. . . BRACKET, ANGLE ATTACHING PARTS		2				
	MS35307-307	. . . SCREW		2				
	MS15795-810	. . . WASHER		2				
	MS35338-139	. . . WASHER		2				
	P4006-1420	. . . NUT, GANG, CHANNEL PER 07397 DWG SPEC 70-801745-3	96195	2				
- 36	LSC2	. . . CLAMP, CABLE PER 07397 DWG SPEC 70-801797-1 ATTACHING PARTS	06383	5				
	MS51957-48	. . . SCREW		4				
	MS15795-807	. . . WASHER		4				
	MS35338-137	. . . WASHER		4				
	81-726392-1	. . . WASHER, SQUARE		4				
	P4006-0832	. . . NUT, GANG, CHANNEL PER 07397 DWG SPEC 70-801745-1	96195	4				
- 37	020071-1	. . . SLIDE, CHASSIS, LH PER 07397 DWG SPEC 84-801620-3	83508	5				
- 38	020071-2	. . . SLIDE, CHASSIS, RH PER 07397 DWG SPEC 84-801620-4 ATTACHING PARTS	83508	5				
	MS51959-46	. . . SCREW		50				
	MS51959-31	. . . SCREW		50				
	MS15795-805	. . . WASHER		50				
	MS35338-136	. . . WASHER		50				
	MS35649-264	. . . NUT		50				
- 39	81-727636-1	. . . PLATE, MOUNTING, CHASSIS SLIDE ATTACHING PARTS		10				
	MS35307-307	. . . SCREW		20				
	MS15795-810	. . . WASHER		20				
	MS35338-139	. . . WASHER		20				
	P4006-1420	. . . NUT, GANG, CHANNEL PER 07397 DWG SPEC 70-801745-3	96195	20				
- 40	81-728084-2	. . . BRACKET, CABLE RETAINER		9				
- 41	82-726403-7	. . . SUPPORT, CABLE ATTACHING PARTS		15				
	MS51957-48	. . . SCREW		48				
	MS15795-807	. . . WASHER		48				
	MS35338-137	. . . WASHER		48				
	P4006-0832	. . . NUT, GANG, CHANNEL PER 07397 DWG SPEC 70-801745-1	96195	48				
- 42	81-728119-1	. . . BRACKET, CABLE SUPPORT ATTACHING PARTS		5				
	MS35307-307	. . . SCREW		10				
	MS15795-810	. . . WASHER		10				
	MS35338-139	. . . WASHER		10				
	81-726341-1	. . . WASHER, SQUARE		10				
	P4006-1420	. . . NUT, GANG, CHANNEL PER 07397 DWG SPEC 70-801745-3	96195	10				
- 43	247105463	. . . CABINET, ELECTRICAL EQUIPMENT		1				



31R1-2GRA96-4-30

Figure 21. Teletypewriter Message Decoder KY-571/FLR-9(V) and Teletypewriter Message Transmitter T-988/FLR-9(V) (Sheet 1 of 2)





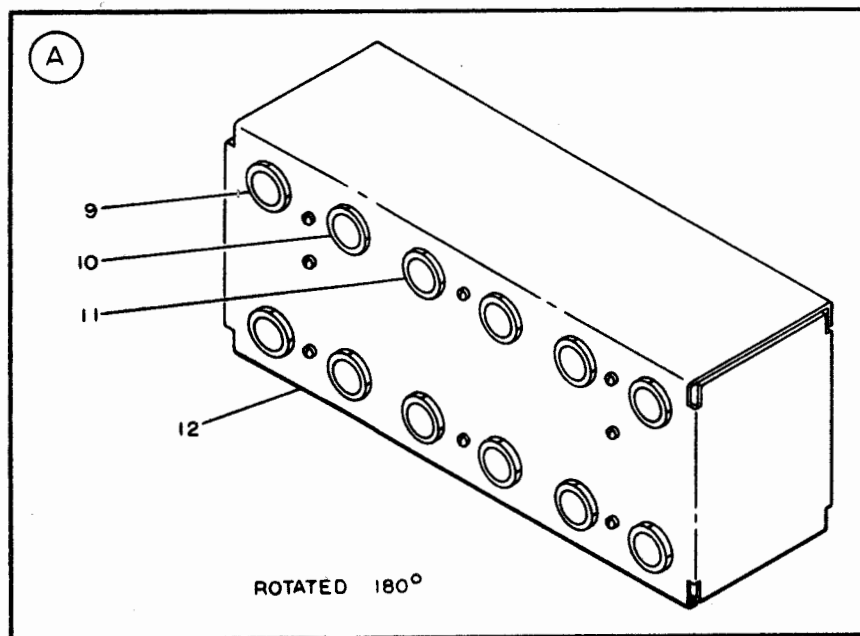
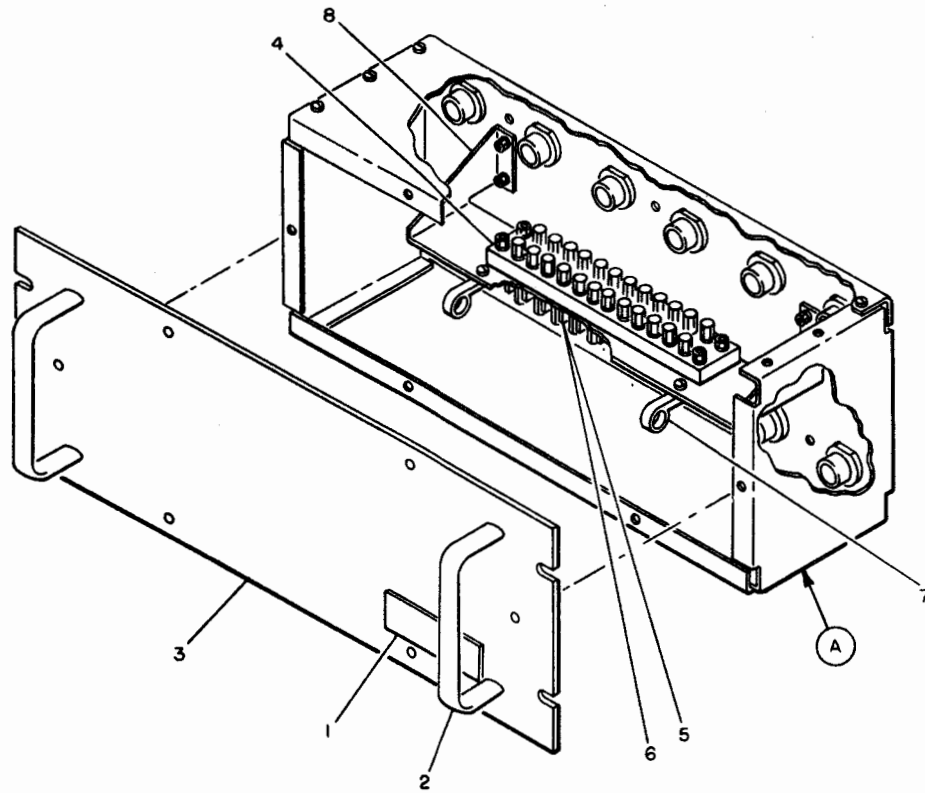
31R1-2GRA96-4-31

Figure 21. Teletypewriter Message Decoder KY-571/FLR-9(V) and Teletypewriter Message Transmitter T-988/FLR-9(V) (Sheet 2 of 2)

FIG. AND INDEX NO.	MFR PART NUMBER	DESCRIPTION	MFR CODE	UNITS PER ASSY	USABLE ON CODE			
						1	2	3
21 -	02-728320-1	. . . . . DECODER, TELETYPEWRITER MESSAGE KY-571/FLR-9/V/ FOR NHA SEE FIG. 20-5		REF	A			
	02-728326-1	. . . . . TRANSMITTER, TELETYPEWRITER MESSAGE T-988/FLR-9/V/ FOR NHA SEE FIG. 20-7		REF	B			
- 1	74-725900-639 74-725900-647	. . . . . PLATE, IDENTIFICATION . . . . . PLATE, IDENTIFICATION ATTACHING PARTS		1	A			
	MS21318-8	. . . . . SCREW - - - * - - -		4	B			
- 2	82-728587-3 82-728587-8	. . . . . PLATE, DESIGNATION . . . . . PLATE, DESIGNATION ATTACHING PARTS		1	A			
	MS21318-20	. . . . . SCREW - - - * - - -		2	B			
- 3	82-725854-5	. . . . . COVER ATTACHING PARTS		2				
	12S1-12-1BB	. . . . . FASTENER, POSITIVE LOCK PER 07397 DWG SPEC 70-802396-1	71286	32				
	5S3-2	. . . . . FASTENER, POSITIVE LOCK PER 07397 DWG SPEC 70-802396-3 - - - * - - -	71286	32				
- 4	HC118LH	. . . . . HANDLE, LH PER 07397 DWG SPEC 74-801610-1	06666	1				
- 5	HC118RH	. . . . . HANDLE, RH PER 07397 DWG SPEC 74-801610-2	06666	1				
- 6	82-725856-2	. . . . . PANEL, FRONT ATTACHING PARTS		1				
	MS51957-46	. . . . . SCREW		6				
	MS15795-807	. . . . . WASHER		6				
	NAS679X08	. . . . . NUT - - - * - - -		6				

FIG. AND INDEX NO.	MFR PART NUMBER	DESCRIPTION	MFR CODE	UNITS PER ASSY	USABLE ON CODE			
						1	2	3
21 - 7	32-728714-1	. . . . TELETYPE TO LOGIC CONVERTER AND SYNC SEPARATOR	L	1				
- 8	32-725388-1	. . . . CONVERTER-COUNTER FLIP-FLOP	L	2	A			
- 9	32-724054-1	. . . . FOUR INPUT NOR GATE	L	12	A			
- 10	32-741157-1	. . . . TWO INPUT NOR GATE	L	17	A			
- 11	32-726843-1	. . . . STORAGE FLIP-FLOP	L	9	A			
- 12	32-725360-1	. . . . TWO INPUT NOR GATE	L	1	A			
- 13	32-724055-1	. . . . DUAL FLIP-FLOP	L	3	A			
- 14	32-724135-1	. . . . INVERTING NOR DRIVER	L	3	A			
- 14A	32-724369-4	. . . . VIBRATOR,CURSER	L	1	A			
- 15	32-725388-1	. . . . CONVERTER-COUNTER FLIP-FLOP	L	3	B			
- 16	32-741157-1	. . . . TWO INPUT NOR GATE	L	18	B			
- 17	32-724054-1	. . . . FOUR INPUT NOR GATE	L	16	B			
- 18	32-725360-1	. . . . TWO INPUT NOR GATE	L	1	B			
- 19	32-724135-1	. . . . INVERTING NOR DRIVER	L	1	B			
- 20	32-737247-4	. . . . 8 MILLISECOND SINGLE SHOT	L	4	B			
- 21	32-728661-1	. . . . TELETYPE TO LOGIC CONVERTER	L	1	B			
- 22	32-728649-1	. . . . LOGIC TO TELETYPE CONVERTER	L	1	B			
- 22A	32-724369-4	. . . . VIBRATOR,CURSER	L	1	B			
- 23	MS25281-7	. . . . CLAMP, LOOP		1				
- 24	MS25281-6	. . . . CLAMP, LOOP		1				
- 25	MS25281-10	. . . . CLAMP, LOOP		1				
- 26	MS25281-8	. . . . CLAMP, LOOP		1				
		ATTACHING PARTS						
	MS51957-31	. . . . SCREW		4				
	MS15795-805	. . . . WASHER		4				
	D167CC	. . . . WASHER, SADDLE PER 07397 DWG SPEC 70-801798-7	95987	4				
	NAS679X06	. . . . NUT		4				
		- * - - -						
- 27	82-728255-1	. . . . PLATE, MOUNTING		4				
- 28	82-728256-1	. . . . SUPPORT, WIRING HARNESS		3				
		ATTACHING PARTS						
	MS51957-19	. . . . SCREW		14				
	MS15795-803	. . . . WASHER		14				
	NAS679X04	. . . . NUT		14				
		- * - - -						
- 29	82-725858-1	. . . . BRACKET, IDENTIFICATION		1				
- 30	82-725858-3	. . . . BRACKET, IDENTIFICATION		1				
		ATTACHING PARTS						
	MS51957-19	. . . . SCREW		2				
	MS15795-803	. . . . WASHER		2				
	NAS679X04	. . . . NUT		2				
		- * - - -						
- 31	XB602-14	. . . . KEY, POLARIZING PER 07397 DWG SPEC 70-801732-1	95238	48	A			
	091-0020-000	□ . . . . KEY, POLARIZING PER 07397 DWG SPEC 70-801732-1	05574	REF	A			
	XB602-14	. . . . KEY, POLARIZING PER 07397 DWG SPEC 70-801732-1	95238	45	B			
	091-0020-000	□ . . . . KEY, POLARIZING PER 07397 DWG SPEC 70-801732-1	05574	REF	B			
- 32	VH22/1AN8	. . . . CONNECTOR, RECEPTACLE, ELECTRICAL PER 07397 DWG SPEC 73-802221-2	05574	50				
	225-22222-10100-100	□ . . . . CONNECTOR, RECEPTACLE, ELECTRICAL PER 07397 DWG SPEC 73-802221-2	02660	REF				
		ATTACHING PARTS						
	MS51957-18	. . . . SCREW		84				
	MS15795-803	. . . . WASHER		84				
	NAS679X04	. . . . NUT		84				
		- * - - -						
- 33	FA7022	. . . . FILTER, RFI PER 07397 DWG SPEC 32-801855-2	04732	1				
		ATTACHING PARTS						
	MS51957-28	. . . . SCREW		2				
	MS15795-805	. . . . WASHER		2				
	NAS679X06	. . . . NUT		2				
		- * - - -						
	MS25251-16	. . . . PLUG, END SEAL		13	A			
	MS25251-16	. . . . PLUG, END SEAL		18	B			
	B1616PCB01	. . . . CONTACT, ELECTRICAL PER 07397 DWG SPEC 73-802109-4	71468	9	A			
	U004-065-000	□ . . . . CONTACT, ELECTRICAL PER 07397 DWG SPEC 73-802109-4	11139	REF	A			
	B1616PCB01	. . . . CONTACT, ELECTRICAL PER 07397 DWG SPEC 73-802109-4	71468	7	B			
	0004-065-000	□ . . . . CONTACT, ELECTRICAL PER 07397 DWG SPEC 73-802109-4	11139	REF	B			

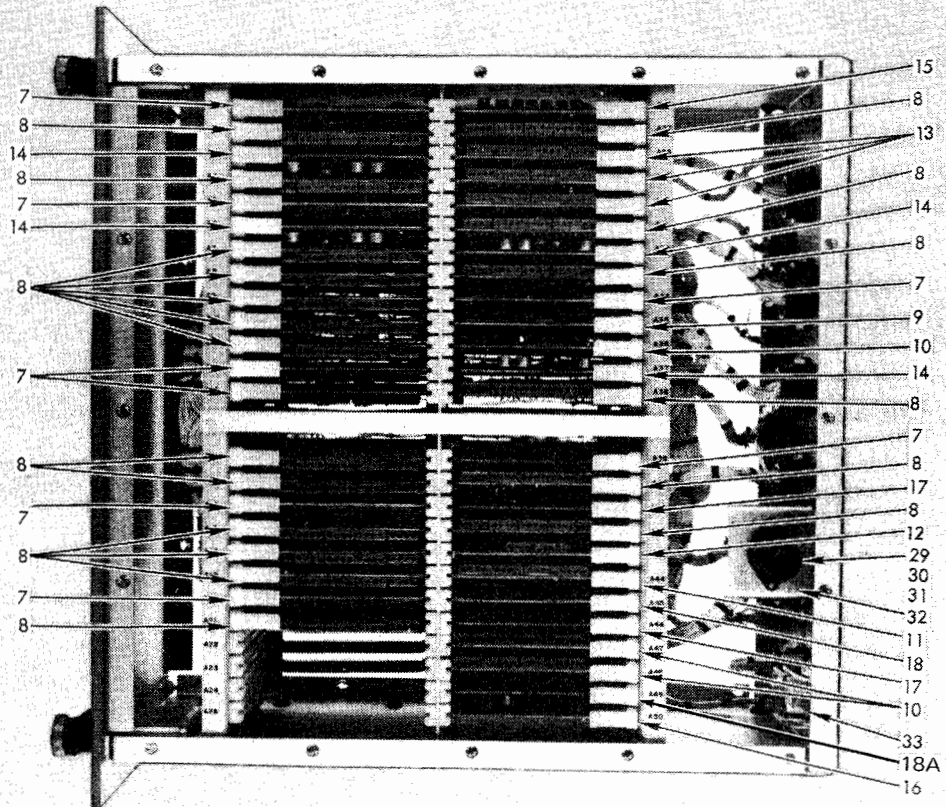
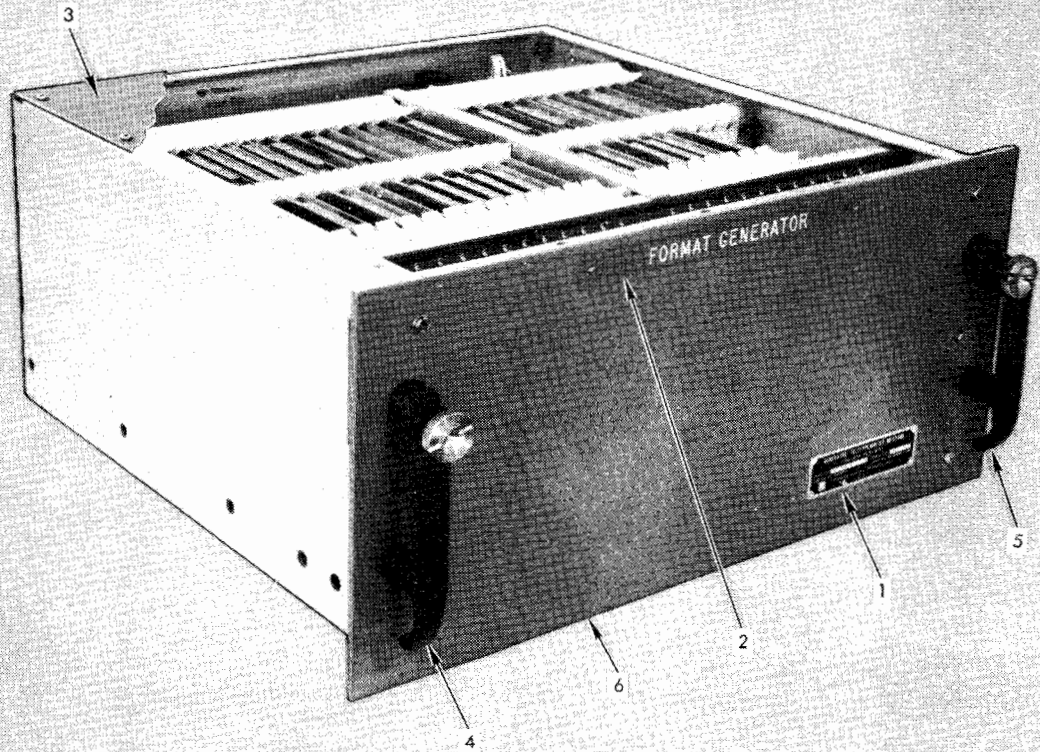
FIG. AND INDEX NO.	MFR PART NUMBER	DESCRIPTION	MFR CODE	UNITS PER ASSY	USABLE ON CODE
21 - 34	PT07SE18-11P	. . . . CONNECTOR, RECEPTACLE, ELECTRICAL PER 07397 DWG SPEC 73-802019-115	77820	1	
	KPTM07E18-11PF120 □	. . . . CONNECTOR, RECEPTACLE, ELECTRICAL PER 07397 DWG SPEC 73-802019-115	71468	REF	
	B2020SBD01	. . . . CONTACT, ELECTRICAL PER 07397 DWG SPEC 73-802109-1	71468	83	A
	0007-008-000 □	. . . . CONTACT, ELECTRICAL PER 07397 DWG SPEC 73-802109-1	11139	REF	A
- 35	PT07SE22-55S	. . . . CONNECTOR, RECEPTACLE, ELECTRICAL PER 07397 DWG SPEC 73-802019-208	77820	1	A
	KPTM07E22-55SF120 □	. . . . CONNECTOR, RECEPTACLE, ELECTRICAL PER 07397 DWG SPEC 73-802019-208	71468	REF	A
- 36	PT07SE18-32S	. . . . CONNECTOR, RECEPTACLE, ELECTRICAL PER 07397 DWG SPEC 73-802019-140	77820	1	A
	KPTM07E18-32SF120 □	. . . . CONNECTOR, RECEPTACLE, ELECTRICAL PER 07397 DWG SPEC 73-802019-140	71468	REF	A
	B2020PBA01	. . . . CONTACT, ELECTRICAL PER 07397 DWG SPEC 73-802109-2	71468	3	A
	0004-058-000 □	. . . . CONTACT, ELECTRICAL PER 07397 DWG SPEC 73-802109-2	11139	REF	A
	B2020PBA01	. . . . CONTACT, ELECTRICAL PER 07397 DWG SPEC 73-802109-2	71468	105	B
	0004-058-000 □	. . . . CONTACT, ELECTRICAL PER 07397 DWG SPEC 73-802109-2	11139	REF	B
- 37	PT07SE12-10P	. . . . CONNECTOR, RECEPTACLE, ELECTRICAL PER 07397 DWG SPEC 73-802019-37	77820	1	A
	KPTM07E12-10PF120 □	. . . . CONNECTOR, RECEPTACLE, ELECTRICAL PER 07397 DWG SPEC 73-802019-37	71468	REF	A
- 38	PT07SE22-55P	. . . . CONNECTOR, RECEPTACLE, ELECTRICAL PER 07397 DWG SPEC 73-802019-203	77820	1	B
	KPTM07E22-55PF120 □	. . . . CONNECTOR, RECEPTACLE, ELECTRICAL PER 07397 DWG SPEC 73-802019-203	71468	REF	B
- 39	PT07SE18-32P	. . . . CONNECTOR, RECEPTACLE, ELECTRICAL PER 07397 DWG SPEC 73-802019-135	77820	1	B
	KPTM07E18-32PF120 □	. . . . CONNECTOR, RECEPTACLE, ELECTRICAL PER 07397 DWG SPEC 73-802019-135	71468	REF	B
- 40	PT07SE18-32PW	. . . . CONNECTOR, RECEPTACLE, ELECTRICAL PER 07397 DWG SPEC 73-802019-136	77820	1	B
	KPTM07E18-32PWF120 □	. . . . CONNECTOR, RECEPTACLE, ELECTRICAL PER 07397 DWG SPEC 73-802019-136	71468	REF	B
- 41	82-728691-1	. . . . PANEL, REAR		1	A
	82-728675-1	. . . . PANEL, REAR		1	B
		ATTACHING PARTS			
	MS51957-45	. . . . SCREW		6	
	MS15795-807	. . . . WASHER		6	
	NAS679X08	. . . . NUT		6	
- 42	G51HB	. . . . GROMMET, NYLON PER 07397 DWG SPEC 70-730018-2	03296	10	
	122 37 2000 □	. . . . GROMMET, NYLON PER 07397 SPEC 70-730018-2	11897	REF	
- 43	82-725862-3	. . . . CHASSIS, ELECTRICAL EQUIPMENT		1	



31R1-2GRA96-4-32

Figure 22. Interconnecting Box J-2549/FLR-9(V)

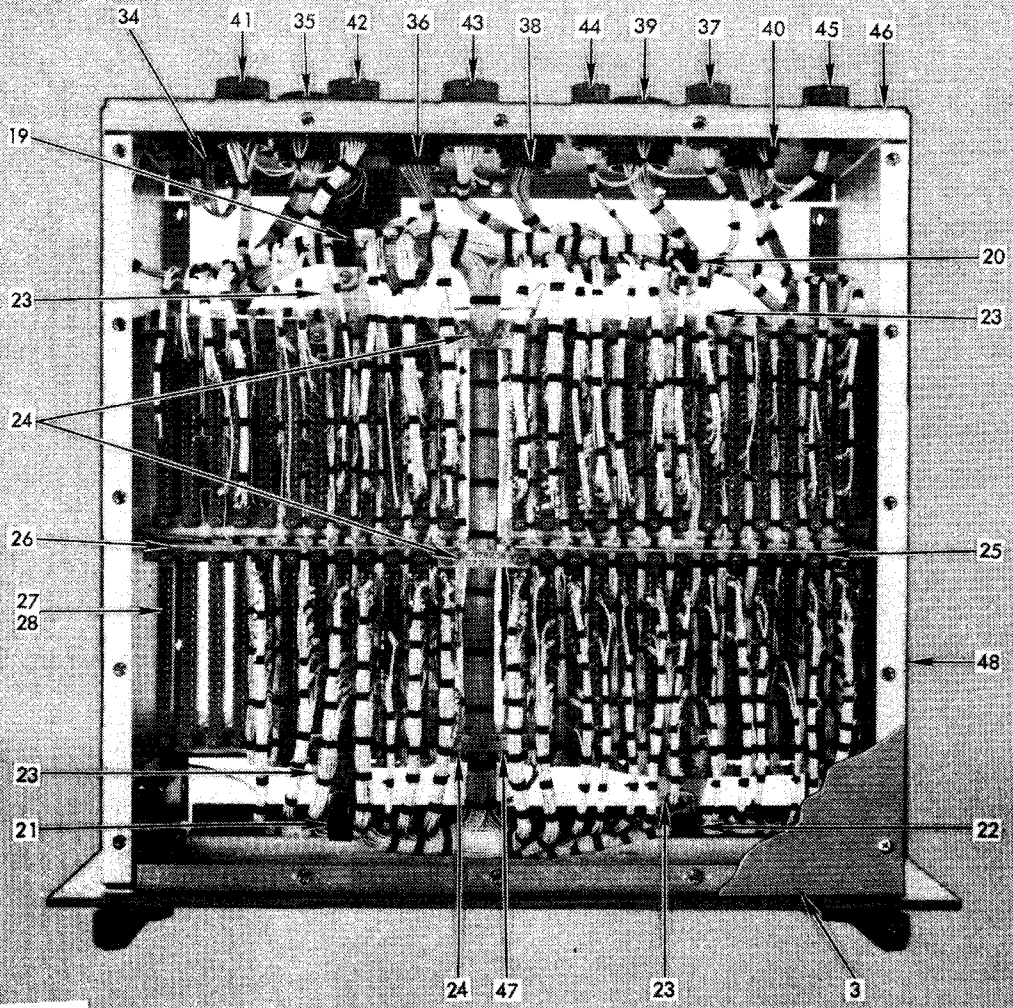
FIG. AND INDEX NO.	MFR PART NUMBER	DESCRIPTION	MFR CODE	UNITS PER ASSY	USABLE ON CODE			
						1	2	3
22 -	02-728311-1	. . . INTERCONNECTING BOX J-2549/FLR-9/V/ FOR NHA SEE FIG. 20-6			REF			
- 1	74-725900-612	. . . PLATE, IDENTIFICATION			1			
	MS21318-8	ATTACHING PARTS . . . SCREW			4			
- 2	2385-2	. . . HANDLE, BOW PER 07397 DWG SPEC 74-801832-2	71279		2			
	MS51957-63	ATTACHING PARTS . . . SCREW			4			
	MS35338-138	. . . WASHER			4			
	MS15795-808	. . . WASHER			4			
- 3	82-728546-1	. . . PANEL, FRONT			1			
	MS51957-30	ATTACHING PARTS . . . SCREW			6			
	MS15795-805	. . . WASHER			6			
- 4	83-725653-1	. . . BAR TERMINAL			1			
	MS51959-48	ATTACHING PARTS . . . SCREW			4			
	MS15795-807	. . . WASHER			4			
	NAS679X08	. . . NUT			4			
	MS51957-49	. . . SCREW			24			
	MS35338-137	. . . WASHER			24			
	MS35649-284	. . . NUT			24			
- 5	83-725653-101	. . . BAR, TERMINAL			1			
	602	. . . JUMPER, TERMINAL PER 07397 DWG SPEC 73-801957-1	75382		12			
- 6	602GMF 2202-18MS602-18GMG	. . . TERMINAL BOARD PER 07397 DWG SPEC 73-801825-25	75382		1			
	18-21MM8MS21-18	. . . TERMINAL BOARD PER 07397 DWG SPEC 73-801825-25	00629		REF			
	742-18-06-00624	. . . TERMINAL BOARD PER 07397 DWG SPEC 73-801825-25	88223		REF			
	MS51957-47	ATTACHING PARTS . . . SCREW			4			
	MS15795-807	. . . WASHER			4			
	NAS679X08	. . . NUT			4			
- 7	LSC2	. . . CLAMP, LOOP PER 07397 DWG SPEC 70-801797-1	06383		2			
	MS51957-30	ATTACHING PARTS . . . SCREW			2			
	MS15795-805	. . . WASHER			2			
	NAS679X06	. . . NUT			2			
- 8	82-728545-1	. . . BRACKET			1			
	MS51957-30	ATTACHING PARTS . . . SCREW			4			
	MS15795-805	. . . WASHER			4			
	NAS679X06	. . . NUT			4			
	B1616PCB01	. . . CONTACT, ELECTRICAL PER 07397 DWG SPEC 73-802109-4	71468		22			
	0004-065-000	. . . CONTACT, ELECTRICAL PER 07397 DWG SPEC 73-802109-4	11139		REF			
- 9	PT07SE18-11PZ	. . . CONNECTOR, RECEPTACLE, ELECTRICAL PER 07397 DWG SPEC 73-802019-119	77820		1			
	KPTM07E18-11PZF120	. . . CONNECTOR, RECEPTACLE, ELECTRICAL PER 07397 DWG SPEC 73-802019-119	71468		REF			
- 10	PT07SE18-11P	. . . CONNECTOR, RECEPTACLE, ELECTRICAL PER 07397 DWG SPEC 73-802019-115	77820		1			
	KPTM07E18-11PF120	. . . CONNECTOR, ELECTRICAL, RECEPTACLE PER 07397 DWG SPEC 73-802019-115	71468		REF			
	B1616SCD01	. . . CONTACT, ELECTRICAL PER 07397 DWG SPEC 73-802109-3	71468		110			
	0007-013-000	. . . CONTACT, ELECTRICAL PER 07397 DWG SPEC 73-802109-3	11139		REF			
- 11	PT07SE18-11S	. . . CONNECTOR, RECEPTACLE, ELECTRICAL PER 07397 DWG SPEC 73-802019-120	77820		10			
	KPTM07E18-11SF120	. . . CONNECTOR, RECEPTACLE, ELECTRICAL PER 07397 DWG SPEC 73-802019-120	71468		REF			
- 12	82-728544-1	. . . CHASSIS, ELECTRICAL EQUIPMENT			1			



31R1-2GRA96-4-33

Figure 23. Teletypewriter Message Generator SG-624/FLR-9(V) (Sheet 1 of 2)





31R1-2GRA96-4-34

Figure 23. Teletypewriter Message Generator SG-624/FLR-9(V) (Sheet 2 of 2)

FIG. AND INDEX NO.	MFR PART NUMBER	DESCRIPTION	MFR CODE	UNITS PER ASSY	USABLE ON CODE			
						1	2	3
23 -	02-728325-1	. . . TELETYPEWRITER MESSAGE GENERATOR SG-624/FLR-9/V/ FOR NHA SEE FIG. 20-8		REF				
- 1	74-725900-643	. . . PLATE, IDENTIFICATION		1				
	MS21318-8	ATTACHING PARTS . . . SCREW		4				
- 2	82-728587-1	. . . PLATE, DESIGNATION		1				
	MS21318-20	ATTACHING PARTS . . . SCREW		2				
- 3	82-725854-5	. . . COVER		2				
	12S1-12-1BB	ATTACHING PARTS . . . FASTENER, POSITIVE LOCK PER 07397 DWG SPEC 70-802396-1	71286	32				
	5S3-2	. . . FASTENER, POSITIVE LOCK PER 07397 DWG SPEC 70-802396-3	71286	32				
- 4	HC11BLH	. . . HANDLE, LH PER 07397 DWG SPEC 74-801610-1	06666	1				
- 5	HC11BRH	. . . HANDLE, RH PER 07397 DWG SPEC 74-801610-2	06666	1				
- 6	82-725856-2	. . . PANEL, FRONT		1				
	MS51957-47	ATTACHING PARTS . . . SCREW		6				
	MS15795-807	. . . WASHER		6				
	MS21044C08	. . . NUT		6				
- 7	32-724054-1	. . . NORGATE 1	L	8				
- 8	32-741157-1	. . . NORGATE 4	L	19				
- 9	32-724135-1	. . . INVERTER, SIGNAL	L	1				
- 10	32-724743-1	. . . DRIVER, RELAY SEE	L	3				
- 11	32-725360-1	. . . AMPLIFIER, RESET SEE	L	1				
- 12	32-725388-1	. . . CONVERTER, COUNTER SEE	L	1				
- 13	32-724055-1	. . . CONTROL, DUAL FLIP FLOP SEE	L	3				
- 14	32-726843-1	. . . REGISTER, FLIP FLOP SEE	L	4				
- 15	32-728714-1	. . . BUFFER SEE	L	1				
- 16	32-728655-1	. . . MULTIVIBRATOR SEE	L	1				
- 17	32-737247-4	. . . SINGLE SHOT A SEE	L	2				
- 18	32-737247-3	. . . SINGLE SHOT DSFF T.O.S	L	1				
- 18A	32-724369-4	. . . VIBRATOR, CURSER	L	1				
- 19	MS25281-8	. . . CLAMP, LOOP		1				
- 20	MS25281-10	. . . CLAMP, LOOP		1				
- 21	MS25281-6	. . . CLAMP, LOOP		1				
- 22	MS25281-7	. . . CLAMP, LOOP		1				
	MS51957-30	ATTACHING PARTS . . . SCREW		4				
	MS15795-805	. . . WASHER		4				
	D167CC	. . . WASHER, SADDLE PER 07397 DWG SPEC 70-801798-7	95987	4				
	MS21044C06	. . . NUT		4				
- 23	82-728255-1	. . . PLATE, MOUNTING		4				
- 24	82-728256-1	. . . SUPPORT, WIRING HARNESS		3				
	MS51957-19	ATTACHING PARTS . . . SCREW		14				
	MS15795-803	. . . WASHER		14				
	MS21044C04	. . . NUT		14				
- 25	82-725858-1	. . . BRACKET, IDENTIFICATION		1				
- 26	82-725858-3	. . . BRACKET, IDENTIFICATION		1				
	MS51957-19	ATTACHING PARTS . . . SCREW		2				
	MS15795-803	. . . WASHER		2				
	MS21044C04	. . . NUT		2				



FIG. AND INDEX NO.	MFR PART NUMBER	1	2	3	4	5	6	7	8	9	DESCRIPTION	MFR CODE	UNITS	USABLE
													PER ASSY	ON CODE
23 - 27	XB602-14	.	.	.	.	.	.	.	.	.	KEY, POLARIZING PER 07397 DWG SPEC 70-801732-1	95238	45	
	091-0020-000	□	.	.	.	.	.	.	.	.	KEY, POLARIZING PER 07397 DWG SPEC 70-801732-1	05574	REF	
- 28	VH22/1AN8	.	.	.	.	.	.	.	.	.	CONNECTOR, RECEPTACLE, ELECTRICAL PER 07397 DWG SPEC 73-802221-2	05574	50	
	225-22222-10100- 000	□	.	.	.	.	.	.	.	.	CONNECTOR, RECEPTACLE, ELECTRICAL PER 07397 DWG SPEC 73-802221-2	02660	REF	
			ATTACHING PARTS											
	MS51957-18	.	.	.	.	.	.	.	.	.	SCREW		84	
	MS15795-803	.	.	.	.	.	.	.	.	.	WASHER		84	
	MS21044C04	.	.	.	.	.	.	.	.	.	NUT		84	
			- * - - -											
- 29	1N645	.	.	.	.	.	.	.	.	.	SEMICONDUCTOR DEVICE, DIODE		1	
- 30	MHJL012D12.0VDC	.	.	.	.	.	.	.	.	.	RELAY, PER 07397 DWG SPEC 31-801763-4	70309	1	
- 31	16185-1	.	.	.	.	.	.	.	.	.	SOCKET, RELAY PER 07397 DWG SPEC 73-801767-1	70309	1	
- 32	82-728673-1	.	.	.	.	.	.	.	.	.	BRACKET, MOUNTING, RELAY		1	
			ATTACHING PARTS											
	MS51957-30	.	.	.	.	.	.	.	.	.	SCREW		4	
	MS15795-805	.	.	.	.	.	.	.	.	.	WASHER		4	
	MS21044C06	.	.	.	.	.	.	.	.	.	NUT		4	
			- * - - -											
- 33	FA7022	.	.	.	.	.	.	.	.	.	FILTER, RFI PER 07397 DWG SPEC 32-801855-2	04732	1	
			ATTACHING PARTS											
	MS51957-30	.	.	.	.	.	.	.	.	.	SCREW		2	
	MS15795-805	.	.	.	.	.	.	.	.	.	WASHER		2	
	MS21044C06	.	.	.	.	.	.	.	.	.	NUT		2	
			- * - - -											
	MS25251-16	.	.	.	.	.	.	.	.	.	PLUG, END SEAL		100	
	B1616PCB01	.	.	.	.	.	.	.	.	.	CONTACT, ELECTRICAL PER 07397 DWG SPEC 73-802109-4	71468	7	
	0004-065-000	□	.	.	.	.	.	.	.	.	CONTACT, ELECTRICAL PER 07397 DWG SPEC 73-802109-4	11139	REF	
- 34	PT07SE18-11P	.	.	.	.	.	.	.	.	.	CONNECTOR, RECEPTACLE, ELECTRICAL PER 07397 DWG SPEC 73-802019-115	77820	1	
	KPTM07E18-11PF120	□	.	.	.	.	.	.	.	.	CONNECTOR, RECEPTACLE, ELECTRICAL PER 07397 DWG SPEC 73-802019-115	71468	REF	
	B2020SBD01	.	.	.	.	.	.	.	.	.	CONTACT, ELECTRICAL PER 07397 DWG SPEC 73-802109-1	71468	94	
	0007-008-000	□	.	.	.	.	.	.	.	.	CONTACT, ELECTRICAL PER 07397 DWG SPEC 73-802109-1	11139	REF	
- 35	PT07SE22-55S	.	.	.	.	.	.	.	.	.	CONNECTOR, RECEPTACLE, ELECTRICAL PER 07397 DWG SPEC 73-802019-208	77820	1	
	KPTM07E22-55SF120	□	.	.	.	.	.	.	.	.	CONNECTOR, RECEPTACLE, ELECTRICAL PER 07397 DWG SPEC 73-802019-208	71468	REF	
- 36	PT07SE18-32S	.	.	.	.	.	.	.	.	.	CONNECTOR, RECEPTACLE, ELECTRICAL PER 07397 DWG SPEC 73-802019-140	77820	1	
	KPTM07E18-32SF120	□	.	.	.	.	.	.	.	.	CONNECTOR, RECEPTACLE, ELECTRICAL PER 07397 DWG SPEC 73-802019-140	71468	REF	
- 37	PT07SE14-19S	.	.	.	.	.	.	.	.	.	CONNECTOR, RECEPTACLE, ELECTRICAL PER 07397 DWG SPEC 73-802019-87	77820	1	
	KPTM07E14-19SF120	□	.	.	.	.	.	.	.	.	CONNECTOR, RECEPTACLE, ELECTRICAL PER 07397 DWG SPEC 73-802019-87	71468	REF	
	B2020PBA01	.	.	.	.	.	.	.	.	.	CONTACT, ELECTRICAL PER 07397 DWG SPEC 73-802109-2	71468	160	
	0004-058-000	□	.	.	.	.	.	.	.	.	CONTACT, ELECTRICAL PER 07397 DWG SPEC 73-802109-2	11139	REF	
- 38	PT07SE18-32P	.	.	.	.	.	.	.	.	.	CONNECTOR, RECEPTACLE, ELECTRICAL PER 07397 DWG SPEC 73-802019-135	77820	1	
	KPTM07E18-32PF120	□	.	.	.	.	.	.	.	.	CONNECTOR, RECEPTACLE, ELECTRICAL PER 07397 DWG SPEC 73-802019-135	71468	REF	
- 39	PT07SE22-55P	.	.	.	.	.	.	.	.	.	CONNECTOR, RECEPTACLE, ELECTRICAL PER 07397 DWG SPEC 73-802019-203	77820	1	
	KPTM07E22-55PF120	□	.	.	.	.	.	.	.	.	CONNECTOR, RECEPTACLE, ELECTRICAL PER 07397 DWG SPEC 73-802019-203	71468	REF	
- 40	PT07SE18-32PW	.	.	.	.	.	.	.	.	.	CONNECTOR, RECEPTACLE, ELECTRICAL PER 07397 DWG SPEC 73-802019-136	77820	1	
	KPTM07E18-32PWF120	□	.	.	.	.	.	.	.	.	CONNECTOR, RECEPTACLE, ELECTRICAL PER 07397 DWG SPEC 73-802019-136	71468	REF	
- 41	PT07SE18-32PX	.	.	.	.	.	.	.	.	.	CONNECTOR, RECEPTACLE, ELECTRICAL PER 07397 DWG SPEC 73-802019-137	77820	1	
	KPTM07E18-32PXF120	□	.	.	.	.	.	.	.	.	CONNECTOR, RECEPTACLE, ELECTRICAL PER 07397 DWG SPEC 73-802019-137	71468	REF	

FIG. AND INDEX NO.	MFR PART NUMBER	DESCRIPTION	MFR CODE	UNITS PER ASSY	USABLE ON CODE
23 - 42	PT07SE18-32PY	. . . . CONNECTOR, RECEPTACLE, ELECTRICAL PER 07397 DWG SPEC 73-802019-138	77820	1	
	KPTM07E18-32PYF120 □	. . . . CONNECTOR, RECEPTACLE, ELECTRICAL PER 07397 DWG SPEC 73-802019-138	71468	REF	
- 43	PT07SE18-32PZ	. . . . CONNECTOR, RECEPTACLE, ELECTRICAL PER 07397 DWG SPEC 73-802019-139	77820	1	
	KPTM07E18-32PZF120 □	. . . . CONNECTOR, RECEPTACLE, ELECTRICAL PER 07397 DWG SPEC 73-802019-139	71468	REF	
- 44	PT07SE12-10P	. . . . CONNECTOR, RECEPTACLE, ELECTRICAL PER 07397 DWG SPEC 73-802019-37	77820	1	
	KPTM07E12-10PF120 □	. . . . CONNECTOR, RECEPTACLE, ELECTRICAL PER 07397 DWG SPEC 73-802019-37	71468	REF	
- 45	PT07SE14-19P	. . . . CONNECTOR, RECEPTACLE, ELECTRICAL PER 07397 DWG SPEC 73-802019-83	77820	1	
	KPTM07E14-19PF120 □	. . . . CONNECTOR, RECEPTACLE, ELECTRICAL PER 07397 DWG SPEC 73-802019-83	71468	REF	
- 46	82-728645-1	. . . . PANEL, MOUNTING, REAR		1	
		ATTACHING PARTS			
	MS51957-46	. . . . SCREW		6	
	MS15795-807	. . . . WASHER		6	
	MS21044C08	. . . . NUT		6	
- 47	G51HB	. . . . GROMMET, NYLON PER 07397 DWG SPEC 70-730018-2	03296	10	
	122-37-2000 □	. . . . GROMMET, NYLON PER 07397 DWG SPEC 70-730018-2	11897	REF	
- 48	82-725862-3	. . . . CHASSIS, ELECTRICAL EQUIPMENT		1	

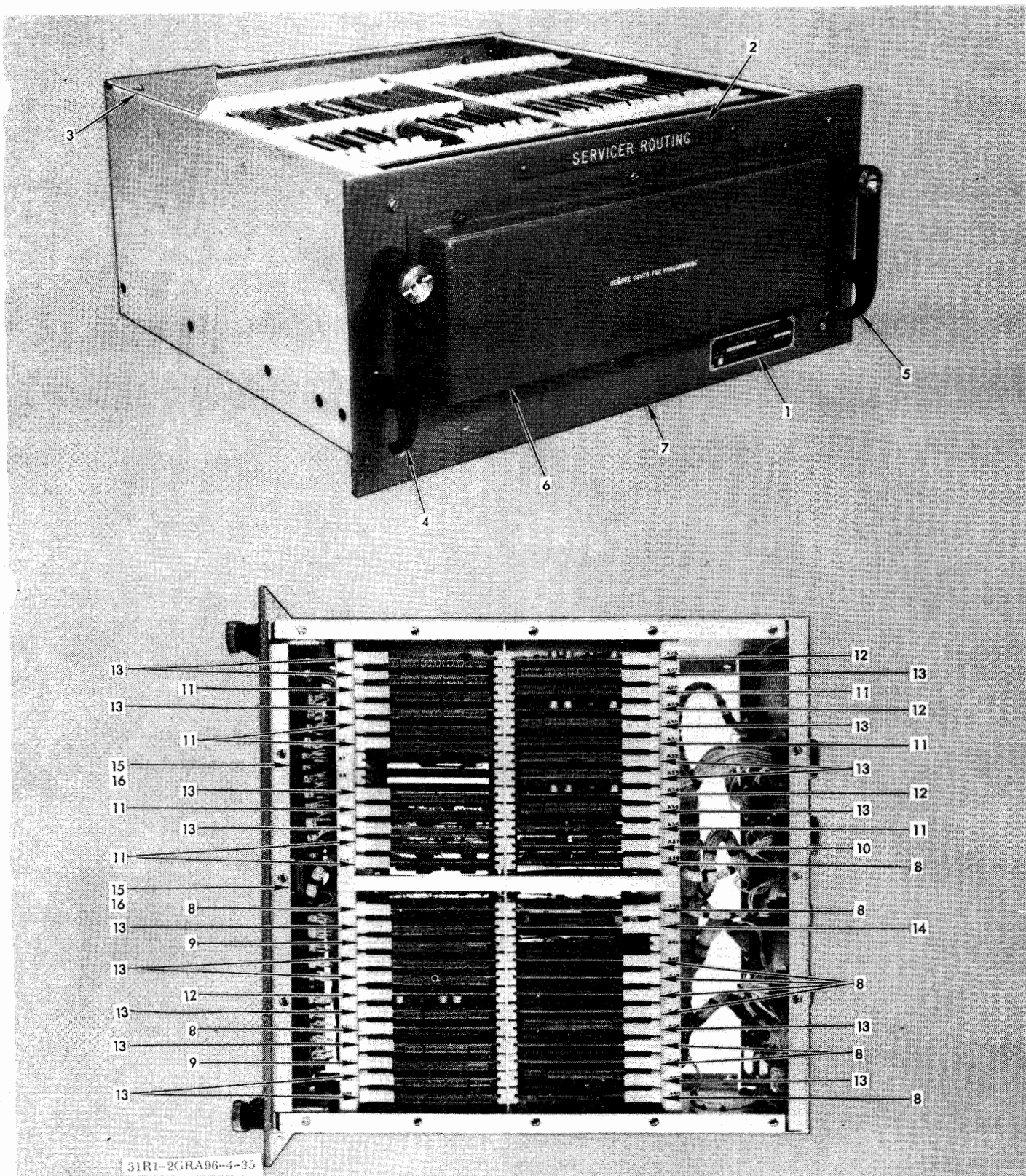


Figure 24. Digital Data Router MX-6898/FLR-9(V) (Sheet 1 of 2)



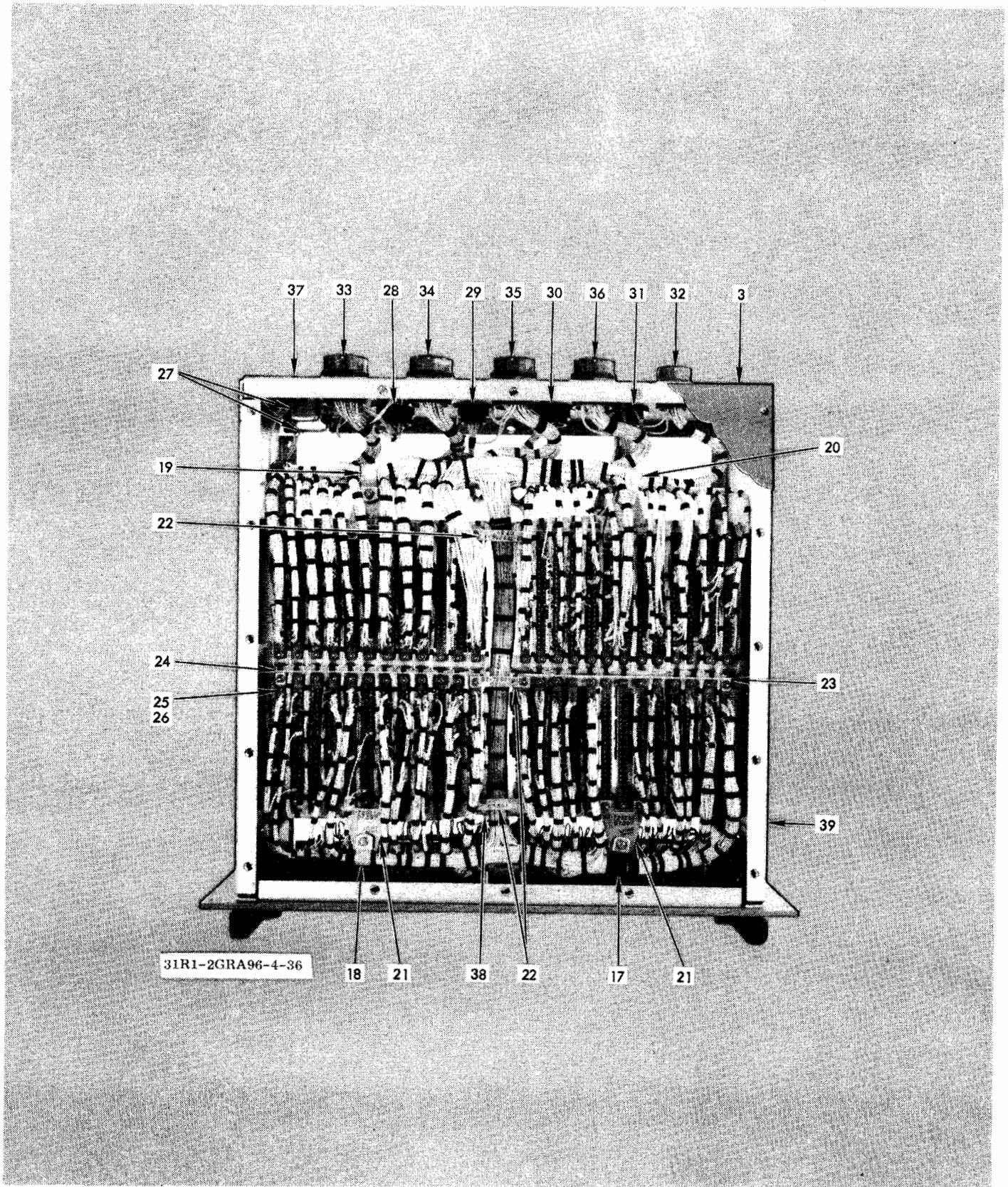


Figure 24. Digital Data Router MX-6898/FLR-9(V) (Sheet 2 of 2)

FIG. AND INDEX NO.	MFR PART NUMBER	DESCRIPTION	MFR CODE	UNITS PER ASSY	USABLE ON CODE			
						1	2	3
24 -	02-728322-1	. . . ROUTER, DIGITAL DATA MX-6898/FLR-9/V/ FOR NHA SEE FIG. 20-9		REF				
- 1	74-725900-640	. . . PLATE, IDENTIFICATION		1				
	MS21318-8	ATTACHING PARTS . . . SCREW		4				
- 2	82-728587-4	. . . PLATE, DESIGNATION		1				
	MS21318-20	ATTACHING PARTS . . . SCREW		2				
- 3	82-725854-5	. . . COVER		2				
	12S1-12-18B	ATTACHING PARTS . . . FASTENER, POSITIVE LOCK PER 07397 DWG SPEC 70-802396-1	71286	32				
	5S3-2	. . . FASTENER, POSITIVE LOCK PER 07397 DWG SPEC 70-802396-3	71286	32				
- 4	HC11BLH	. . . HANDLE, LH PER 07397 DWG SPEC 74-801610-1	06666	1				
- 5	HC11BRH	. . . HANDLE, RH PER 07397 DWG SPEC 74-801610-2	06666	1				
- 6	82-728711-1	. . . COVER		1				
	12S1-19-18B	ATTACHING PARTS . . . FASTENER, POSITIVE LOCK PER 07397 DWG SPEC 70-802396-4	71286	8				
	5S3-2	. . . FASTENER, POSITIVE LOCK PER 07397 DWG SPEC 70-802396-3	71286	8				
- 7	82-728690-1	. . . PANEL, FRONT		1				
	MS51957-46	ATTACHING PARTS . . . SCREW		6				
	MS15795-807	. . . WASHER		6				
	MS21044C08	. . . NUT		6				
- 8	32-724054-1	. . . FOUR INPUT NOR GATE		11	L			
- 9	32-724055-1	. . . DUAL FLIP-FLOP		2	L			
- 10	32-724135-1	. . . INVERTING NOR DRIVER		1	L			
- 11	32-724743-1	. . . RELAY AND LAMP DRIVER		9	L			
- 12	32-726843-1	. . . STORAGE FLIP-FLOP		4	L			
- 13	32-741157-1	. . . TWO INPUT NOR GATE		19	L			
- 14	32-728658-1	. . . 50 MILLISECOND AND 2-TO-10 SECOND SINGLE SHOT AND 2-CPS MULTIVIBRATOR		1	L			
- 15	13-728725-1	. . . PLUG-DIODE ASSEMBLY		200				
	DP2	. . . PLUG PER 07397 DWG SPEC 02-802425-4	98291	1				
- 16	1N270	. . . SEMICONDUCTOR DEVICE, DIODE	98291	1				
	SBX092264-10	. . . CONTACT ASSEMBLY PER 07397 DWG SPEC 02-802425-3	98291	2				
	MS51959-17	ATTACHING PARTS . . . SCREW		8				
	MS15795-803	. . . WASHER		8				
	MS21044C04	. . . NUT		8				
- 17	MS25281-7	. . . CLAMP, LOOP		1				
- 18	MS25281-6	. . . CLAMP, LOOP		1				
- 19	MS25281-10	. . . CLAMP, LOOP		1				
- 20	MS25281-8	. . . CLAMP, LOOP		1				
	MS51957-31	ATTACHING PARTS . . . SCREW		4				
	MS15795-805	. . . WASHER		4				
	D167CC	. . . WASHER, SADDLE PER 07397 DWG SPEC 70-801798-7	95987	4				
	MS21044C06	. . . NUT		4				
- 21	82-728255-1	. . . PLATE, MOUNTING		4				
- 22	82-728256-1	. . . SUPPORT, WIRING HARNESS		3				
	MS51957-18	ATTACHING PARTS . . . SCREW		14				
	MS15795-803	. . . WASHER		14				
	MS21044C04	. . . NUT		14				

FIG. AND INDEX NO.	MFR PART NUMBER	DESCRIPTION	MFR CODE	UNITS PER ASSY	USABLE ON CODE			
						1	2	3
24 - 23	82-725858-1	. . . . BRACKET, IDENTIFICATION		1				
- 24	82-725858-3	. . . . BRACKET, IDENTIFICATION		1				
		ATTACHING PARTS						
	MS51957-19	. . . . SCREW		2				
	MS15795-803	. . . . WASHER		2				
	MS21044C04	. . . . NUT		2				
- 25	XB602-14	. . . . KEY, POLARIZING PER 07397 DWG SPEC 70-801732-1	95238	47				
	091-0020-000	□ . . . . KEY, POLARIZING PER 07397 DWG SPEC 70-801732-1	05574	REF				
- 26	VH22/1AN8	. . . . CONNECTOR, RECEPTACLE, ELECTRICAL PER 07397 DWG SPEC 73-802221-2	05574	50				
	225-22222-10100-100	□ . . . . CONNECTOR, RECEPTACLE, ELECTRICAL PER 07397 DWG SPEC 73-802221-2	02660	REF				
		ATTACHING PARTS						
	MS51957-18	. . . . SCREW		84				
	MS15795-803	. . . . WASHER		84				
	MS21044C04	. . . . NUT		84				
- 27	FA7022	. . . . FILTER, RFI PER 07397 DWG SPEC 32-801855-2	04732	2				
		ATTACHING PARTS						
	MS51957-28	. . . . SCREW		4				
	MS15795-805	. . . . WASHER		4				
	MS21044C06	. . . . NUT		4				
	MS25251-16	. . . . PLUG, END SEAL		51				
	B1616PCB01	. . . . CONTACT, ELECTRICAL PER 07397 DWG SPEC 73-802109-4	71468	8				
	0004-065-000	□ . . . . CONTACT, ELECTRICAL PER 07397 DWG SPEC 73-802109-4	11139	REF				
- 28	PT07SE18-11P	. . . . CONNECTOR, RECEPTACLE, ELECTRICAL PER 07397 DWG SPEC 73-802019-115	77820	1				
	KPTM07E18-11PF120	□ . . . . CONNECTOR, RECEPTACLE, ELECTRICAL PER 07397 DWG SPEC 73-802019-115	71468	REF				
	B2020SBD01	. . . . CONTACT, ELECTRICAL PER 07397 DWG SPEC 73-802109-1	71468	117				
	0007-008-000	□ . . . . CONTACT, ELECTRICAL PER 07397 DWG SPEC 73-802109-1	11139	REF				
- 29	PT07SE14-19S	. . . . CONNECTOR, RECEPTACLE, ELECTRICAL PER 07397 DWG SPEC 73-802019-87	77820	1				
	KPTM07E14-19SF120	□ . . . . CONNECTOR, RECEPTACLE, ELECTRICAL PER 07397 DWG SPEC 73-802019-87	71468	REF				
- 30	PT07SE22-55S	. . . . CONNECTOR, RECEPTACLE, ELECTRICAL PER 07397 DWG SPEC 73-802019-208	77820	1				
	KPTM07E22-55SF120	□ . . . . CONNECTOR, RECEPTACLE, ELECTRICAL PER 07397 DWG SPEC 73-802019-208	71468	REF				
- 31	PT07SE22-55SW	. . . . CONNECTOR, RECEPTACLE, ELECTRICAL PER 07397 DWG SPEC 73-802019-209	77820	1				
	KPTM07E22-55SWF120	□ . . . . CONNECTOR, RECEPTACLE, ELECTRICAL PER 07397 DWG SPEC 73-802019-209	71468	REF				
- 32	PT07SE18-32S	. . . . CONNECTOR, RECEPTACLE, ELECTRICAL PER 07397 DWG SPEC 73-802019-140	77820	1				
	KPTM07E18-32SF120	□ . . . . CONNECTOR, RECEPTACLE, ELECTRICAL PER 07397 DWG SPEC 73-802019-140	71468	REF				
	B2020PBA01	. . . . CONTACT, ELECTRICAL PER 07397 DWG SPEC 73-802109-2	71468	216				
	0004-058-000	□ . . . . CONTACT, ELECTRICAL PER 07397 DWG SPEC 73-802109-2	11139	REF				
- 33	PT07SE22-55P	. . . . CONNECTOR, RECEPTACLE, ELECTRICAL PER 07397 DWG SPEC 73-802019-203	77820	1				
	KPTM07E22-55PF120	□ . . . . CONNECTOR, RECEPTACLE, ELECTRICAL PER 07397 DWG SPEC 73-802019-203	71468	REF				
- 34	PT07SE22-55PW	. . . . CONNECTOR RECEPTACLE, ELECTRICAL PER 07397 DWG SPEC 73-802019-204	77820	1				
	KPTM07E22-55PWF120	□ . . . . CONNECTOR, RECEPTACLE, ELECTRICAL PER 07397 DWG SPEC 73-802019-204	71468	REF				
- 35	PT07SE22-55PX	. . . . CONNECTOR, RECEPTACLE, ELECTRICAL PER 07397 DWG SPEC 73-802019-205	77820	1				
	KPTM07E22-55PXF120	□ . . . . CONNECTOR, RECEPTACLE, ELECTRICAL PER 07397 DWG SPEC 73-802019-205	71468	REF				
- 36	PT07SE22-55PY	. . . . CONNECTOR, RECEPTACLE, ELECTRICAL PER 07397 DWG SPEC 73-802019-206	77820	1				
	KPTM07E22-55PYF120	□ . . . . CONNECTOR, RECEPTACLE, ELECTRICAL PER 07397 DWG SPEC 73-802019-206	71468	REF				

FIG. AND INDEX NO.	MFR PART NUMBER	DESCRIPTION	MFR CODE	UNITS PER ASSY	USABLE ON CODE			
						1	2	3
24 - 37	82-728687-1	. . . . PANEL, REAR ATTACHING PARTS		1				
	MS51957-45	. . . . SCREW		6				
	MS15795-807	. . . . WASHER		6				
	MS21044C08	. . . . NUT		6				
- 38	G51HB	. . . . GROMMET, NYLON PER 07397 DWG SPEC 70-730018-2	03296	10				
	122 37 2000 □	. . . . GROMMET, NYLON PER 07397 DWG SPEC 70-730018-2	11897	REF				
- 39	82-725862-3	. . . . CHASSIS, ELECTRICAL EQUIPMENT		1				