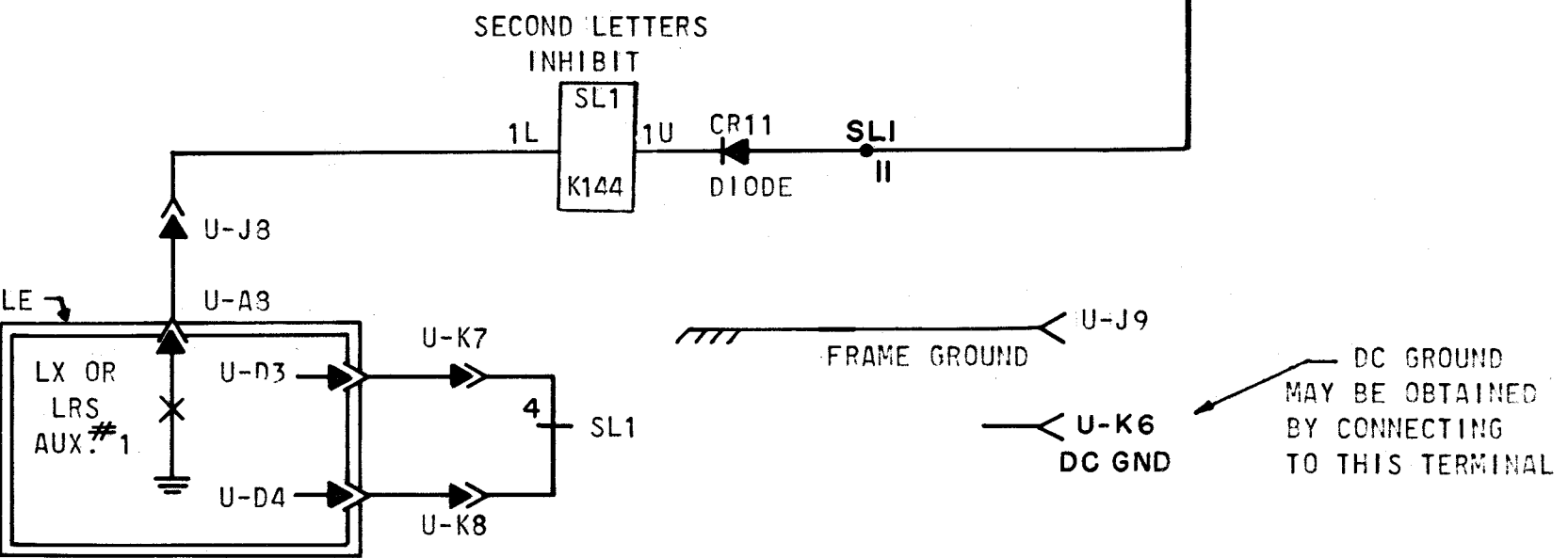
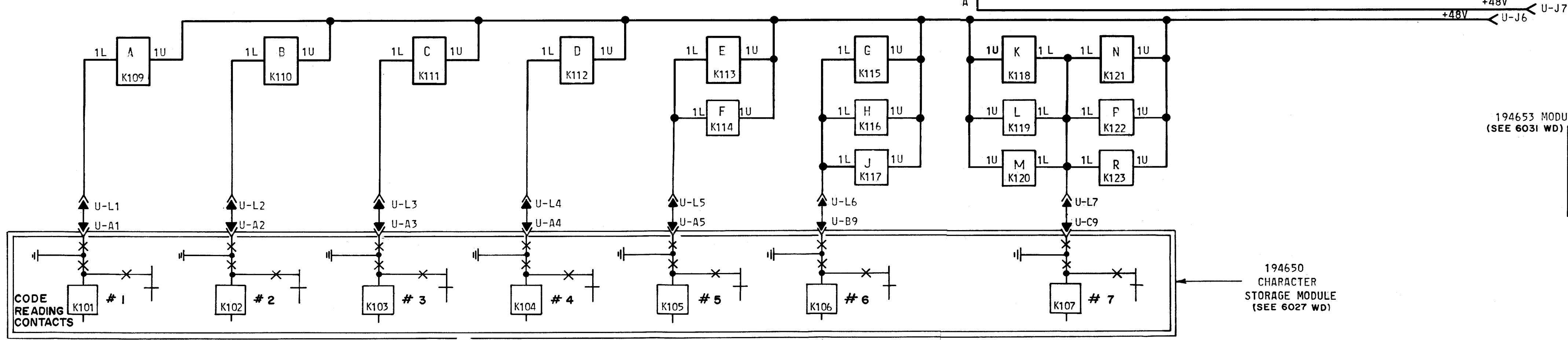


6029WD		
ISSUE	DATE	AUTH. NO.
2	9-5-63	77874
3	9-24-63	78176
4	8-5-64	83026



DC GROUND  
MAY BE OBTAINED  
BY CONNECTING  
TO THIS TERMINAL

8 TO 5 LEVEL  
CODE CONVERTER  
SCHEMATIC WD FOR  
194651 MODULE  
ASSEMBLY  
(TRANSFER TREE)

APPROVALS	
D AND R	E OF M
PROB. NO.	
DATE: 5-29-62	
P.D. FILE NO. 3-95AAA	
DRAWN: E. R.	CHKD: [Signature]
ENGR: H. B.	APPD: [Signature]
TELETYPE CORPORATION	
6029WD	

- | NO. | NOTES                                                                                                |
|-----|------------------------------------------------------------------------------------------------------|
| 1.  | REFER TO 6030WD FOR WIRING LIST.                                                                     |
| 2.  | A-R RELAY AJ12 194582 (700Ω)<br>SLI RELAY AF54 145003 (700Ω)<br>U CONNECTOR (110-PIN)<br>J110 174732 |
| 3.  | ALL CONNECTIONS IN THIS ROW MAY TERMINATE IN THE 194652 MATRIX MODULE.                               |
| 4.  | ALL VOLTAGES DC UNLESS OTHERWISE SPECIFIED.                                                          |
| 5.  | —> INDICATES FEMALE AND —> INDICATES MALE TERMINALS.                                                 |
| 7.  | TERMINALS II OF SLI RELAY IS USED AS A TIE POINT ONLY.                                               |

