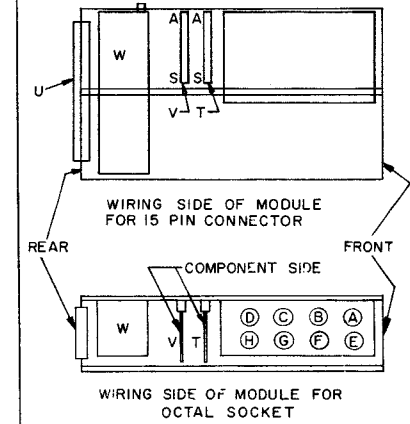
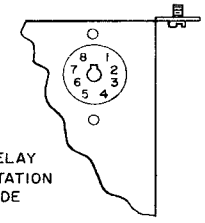
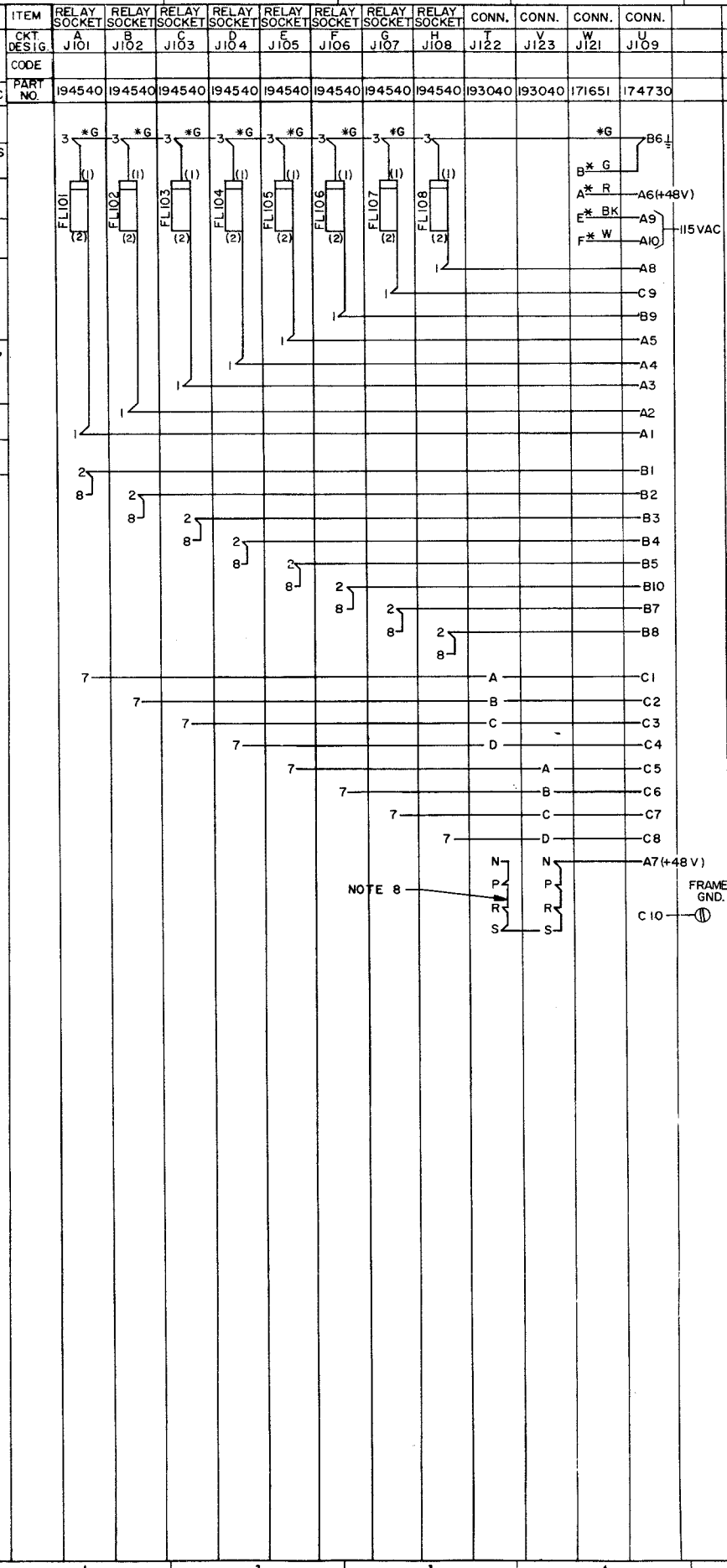


6028WD

REVISIONS		
ISSUE	DATE	AUTH. NO.
2	8-12-63	77689
3	9-5-63	77874
4	8-5-64	83024

- NO. NOTES**
- * INDICATES 18 GA. WIRE FOR 170573 RECTIFIER CABLE ASSEMBLY ONLY. ALL OTHER WIRE 24 GA. GREEN 31784rM
 - REFER TO 6027WD FOR SCHEMATIC
 - RELAY H (K108) OMITTED IN THIS ASSEMBLY.
 - FL101 - FL108 ARE 185 A NETWORKS PART NO. 153631
 - ALL VOLTAGES DC UNLESS OTHERWISE SPECIFIED.
 - NUMBERS IN () ARE FOR REFERENCE ONLY.
 - WIRE COLOR CODE IDENTIFICATION
BK - BLACK
W - WHITE
R - RED
G - GREEN
 - ALL STRAPPING WIRE 24 AWG BARE, 39603RM. USE SLEEVING WHERE REQUIRED. DO NOT PULL TAUT BETWEEN TERMINALS.
 - USE 194743 CARD ASSEMBLIES ON CONNECTORS T AND V.



ACTUAL WIRING DIAGRAM FOR 8 TO 5 LEVEL CODE CONVERTER WIRING LIST FOR 194650 CHARACTER STORAGE MODULE

APPROVALS

D AND R E OF M

E-NUMBER

PROD. NO. 6028 WD

DATE 7-31-63

P.D. FILE NO. 3-95AAA

DRAWN J.V.K. CHRD.

ENGR. R.J.K. APPD. J.K.

TELETYPE CORPORATION

6028 WD

RTTY ELECTRONICS
 TELETYPE=Sales-Service-Parts
 PO Box 20101 El Sobrante, Ca.
 94820. (510)222-3102
 mr_rty@pacbell.net