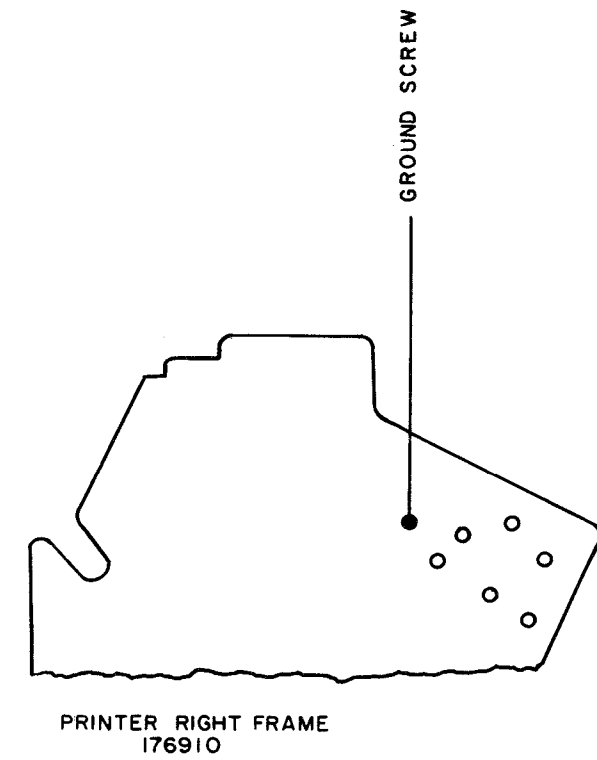
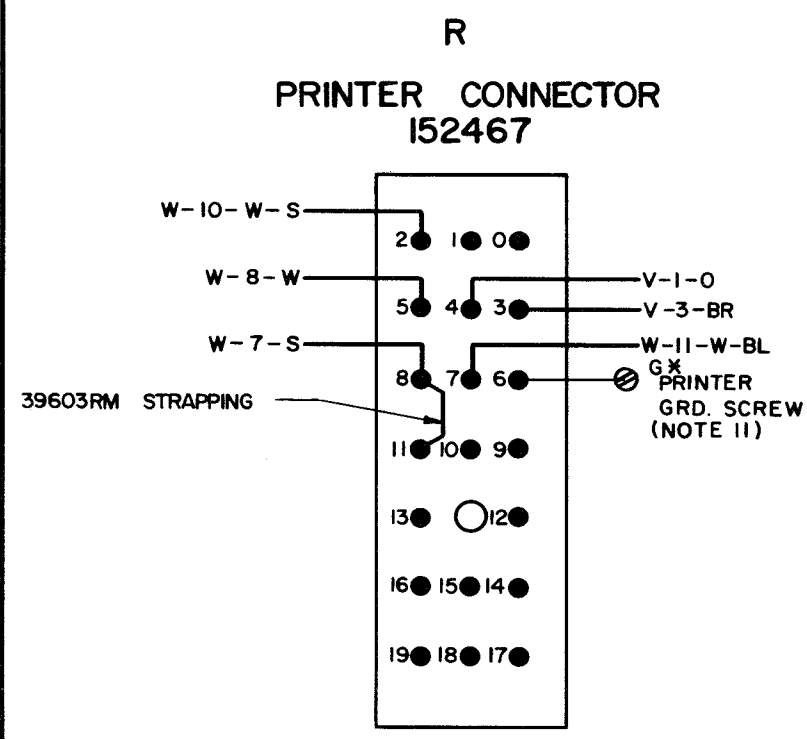
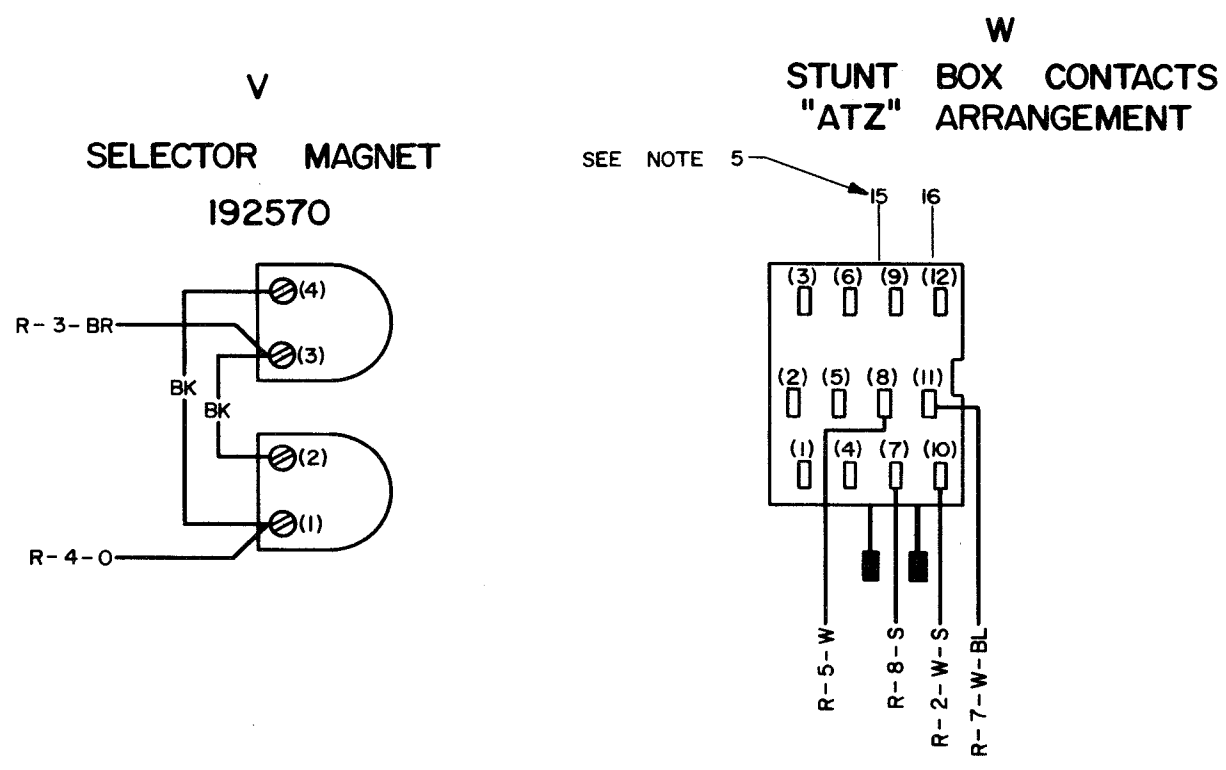


NO.	NOTES										
1.	<p>WIRING LEGEND</p> <p>A-2-BK</p>										
2.	<p>COLOR CODE</p> <table border="0"> <tr> <td>BK — BLACK</td> <td>O — ORANGE</td> </tr> <tr> <td>BR — BROWN</td> <td>G — GREEN</td> </tr> <tr> <td>BL — BLUE</td> <td>Y — YELLOW</td> </tr> <tr> <td>W — WHITE</td> <td>P — PURPLE</td> </tr> <tr> <td>S — SLATE</td> <td>R — RED</td> </tr> </table>	BK — BLACK	O — ORANGE	BR — BROWN	G — GREEN	BL — BLUE	Y — YELLOW	W — WHITE	P — PURPLE	S — SLATE	R — RED
BK — BLACK	O — ORANGE										
BR — BROWN	G — GREEN										
BL — BLUE	Y — YELLOW										
W — WHITE	P — PURPLE										
S — SLATE	R — RED										
3.	COMPONENTS VIEWED FROM SOLDER TERMINAL ENDS.										
4.	CONTACTS SHOWN IN UN-OPERATED OR DE-ENERGIZED POSITION.										
5.	NUMBERS AT TOP OF STUNT BOX CONTACTS REFER TO SLOT POSITION IN STUNT BOX.										
6.	SELECTOR COIL IS WIRED FOR .500 AMP. OPERATION.										
7.	FILLED CONTACT TERMINAL IN STUNT BOX REPRESENTS NORMALLY CLOSED CONTACT. UNFILLED CONTACT TERMINAL REPRESENTS NORMALLY OPEN CONTACT.										
8.	TERMINAL DESIGNATIONS IN PARENTHESIS ARE NOT NECESSARILY MARKED ON COMPONENTS.										
9.	FOR SCHEMATIC WIRING DIAGRAM REFER TO 6003WD (LESU 308) OR 8224WD (LESU348)										
10.	ASSOCIATED CABLE ASSEMBLIES: CABLE ASSEMBLY—195854 (AREA R-W) CABLE ASSEMBLY—305544 (AREA R-V)										
11.	WIRE TO KEYBOARD GROUND SCREW NOT INCLUDED ON SOME SETS.										

6006WD		
ISSUE	DATE	AUTH. NO.
1	9-10-64	15369-R
2	6 16 66	90709
3	1-25-67	92056



RITY ELECTRONICS
TELETYPE-Sales-Service-Parts
PO Box 20101 El Sobrante, Ca.
94820. (510)222-3102
mr_rtty@pacbell.net

ACTUAL WIRING DIAGRAM FOR MODEL 35 TYPING UNIT STUNT BOX "ATZ" - LP 812 -

APPROVALS

D AND R	E OF M
<i>[Signature]</i>	<i>[Signature]</i>

E-NUMBER

PROD. NO. 6006WD

DATE: 1-22-63

P.D. FILE NO. 1-30.151AA

DRAWN. JJK CHKD. *[Signature]*

ENGD. WTC APPD. *[Signature]*

TELETYPE CORPORATION

6006 WD