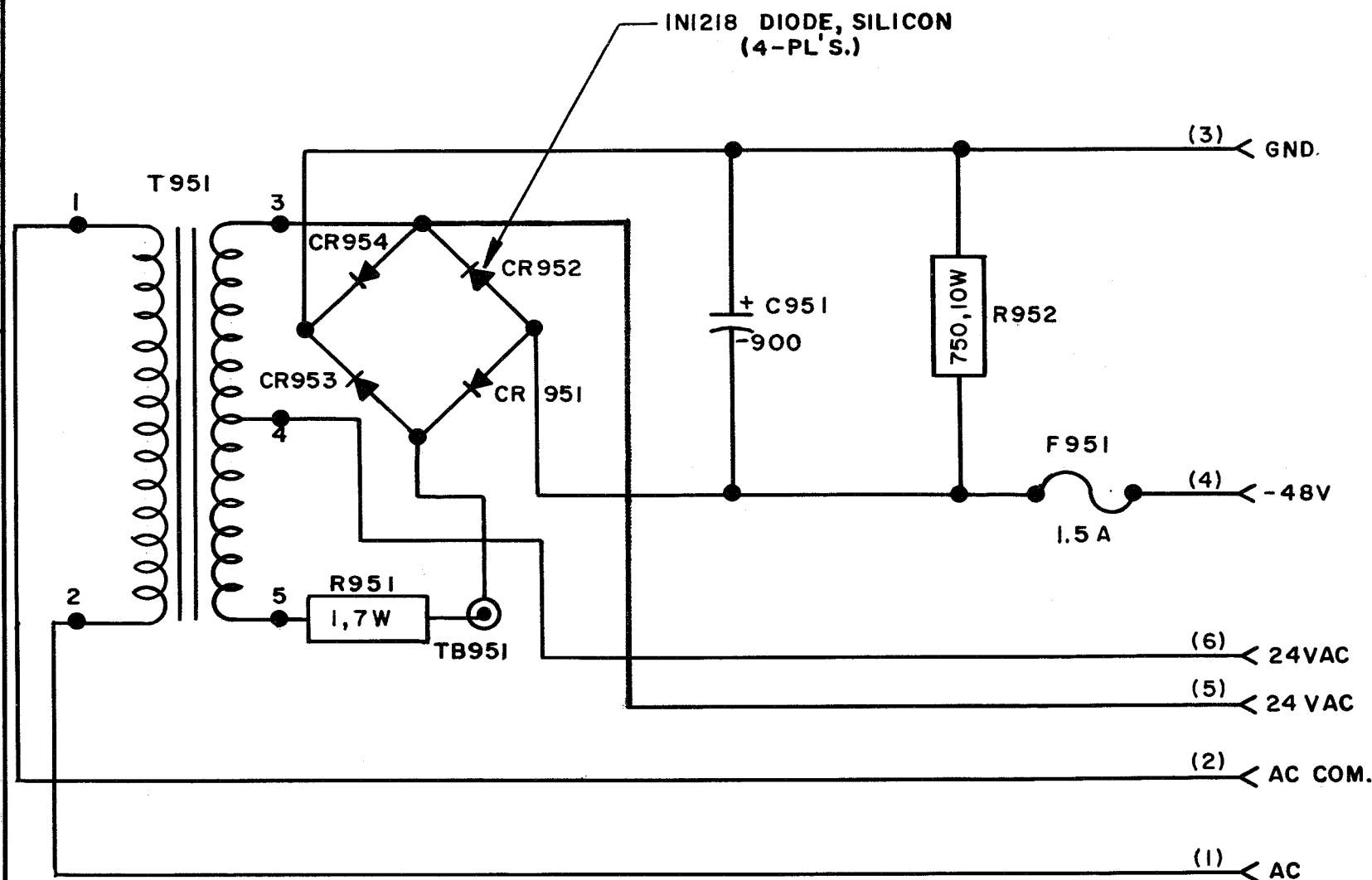


5991 WD

ISSUE	DATE	AUTH. NO.
2	7-6-64	82102

- NO. NOTES
- REFER TO 5992WD FOR ACTUAL WIRING DIAGRAM.
 - ALL VOLTAGES DC UNLESS OTHERWISE SPECIFIED.
 - RESISTANCE VALUES OF WINDINGS ON TRANSFORMER T951

BETWEEN TAPS	RESISTANCE
1 & 2	4 Ω
3 & 4	0.526 Ω
4 & 5	0.6 Ω
 - PARENTHESES INDICATE TERMINAL DESIGNATIONS FOR REFERENCE ONLY.
 - ALL RESISTORS 1/2 WATT AND RESISTANCE VALUES IN OHMS, UNLESS OTHERWISE SPECIFIED.
 - ALL CAPACITANCE VALUES IN MICROFARADS, UNLESS OTHERWISE SPECIFIED.



SCHEMATIC WIRING DIAGRAM FOR 48 VOLT POWER SUPPLY ASSEM. NO. 148280

APPROVALS

D AND R	E OF M
---------	--------

E-NUMBER

PROD. NO. 5991 WD

DATE: 4-18-64

P.D. FILE NO. 1-33.69AA

DRAWN N.A.R. CHKD. *MEK*

ENG. E.J.T. APPD. *RME*

TELETYPE CORPORATION

5991 WD

RTTY ELECTRONICS
 TELETYPE-Sales-Service-Parts
 PO Box 20101 El Sobrante, Ca.
 94820. (510)222-3102
 mr_rtty@pacbell.net