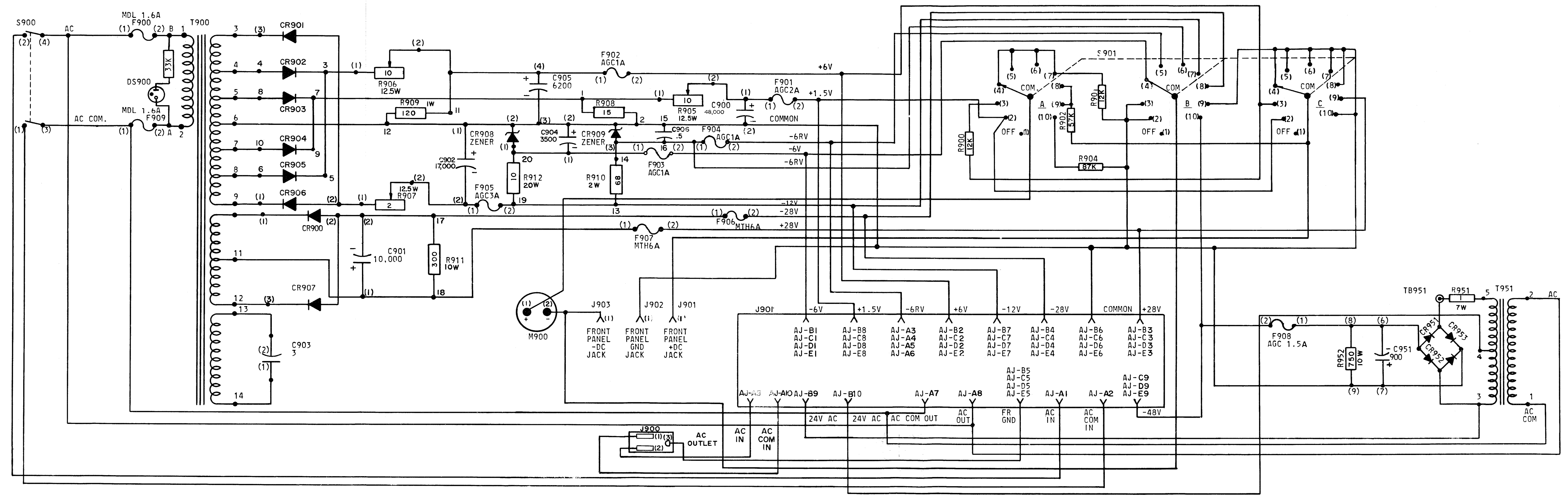


5985 WD		
REVISIONS		
ISSUE	DATE	AUTH. NO.
2	12-17-63	79359
3	3-2-64	79843
4	5-22-64	79855
5	8-31-64	82490



SCHEMATIC
WIRING DIAGRAM
FOR
MULTI-VOLTAGE
POWER SUPPLY

(ASSEM. NO. 148248)

APPROVALS

D AND R E OF M

E-NUMBER

PROD. NO. 5985V

DATE:

P.D. FILE NO. 1-33.69AA

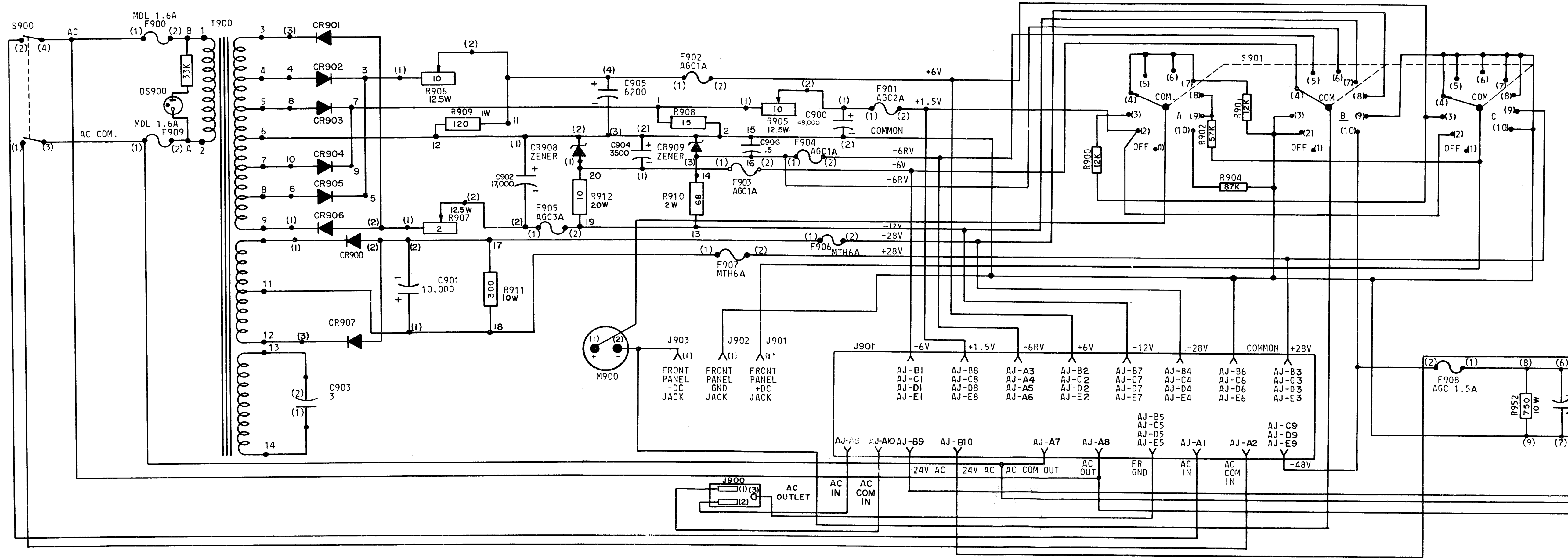
DRAWN A.R. CHKD

ENGD. E.J.T. APPD. *ERK*

TELETYPE
CORPORATION

5985 WD

- NO. NOTES
- REFER TO 5986WD FOR ACTUAL WIRING DIAGRAM.
 - (2) INDICATES TERMINAL DESIGNATIONS FOR REFERENCE ONLY.
 - ALL VOLTAGES DC UNLESS OTHERWISE SPECIFIED.
- RESISTANCE VALUES OF TRANSFORMER WINDINGS
- | T 900 | |
|--------------|----------------|
| BETWEEN TAPS | RESISTANCE |
| 1 & 2 | 1.22 Ω |
| 3 & 9 | 0.173 Ω |
| 10 & 12 | 0.296 Ω |
| 13 & 14 | 10.05 Ω |
- | T 951 | |
|--------------|----------------|
| BETWEEN TAPS | RESISTANCE |
| 1 & 2 | 4 Ω |
| 3 & 4 | 0.526 Ω |
| 4 & 5 | 0.6 Ω |
- ALL RESISTORS $\frac{1}{2}$ WATT AND RESISTANCE VALUES IN OHMS, UNLESS OTHERWISE SPECIFIED.
 - ALL CAPACITANCE VALUES IN MICROFARADS, UNLESS OTHERWISE SPECIFIED.



RTTY ELECTRONICS
 TELETYPE Sales-Service-Parts
 PO Box 20101 El Sobrante, Ca.
 94820. (510)222-3102
 mr_rtty@pacbell.net