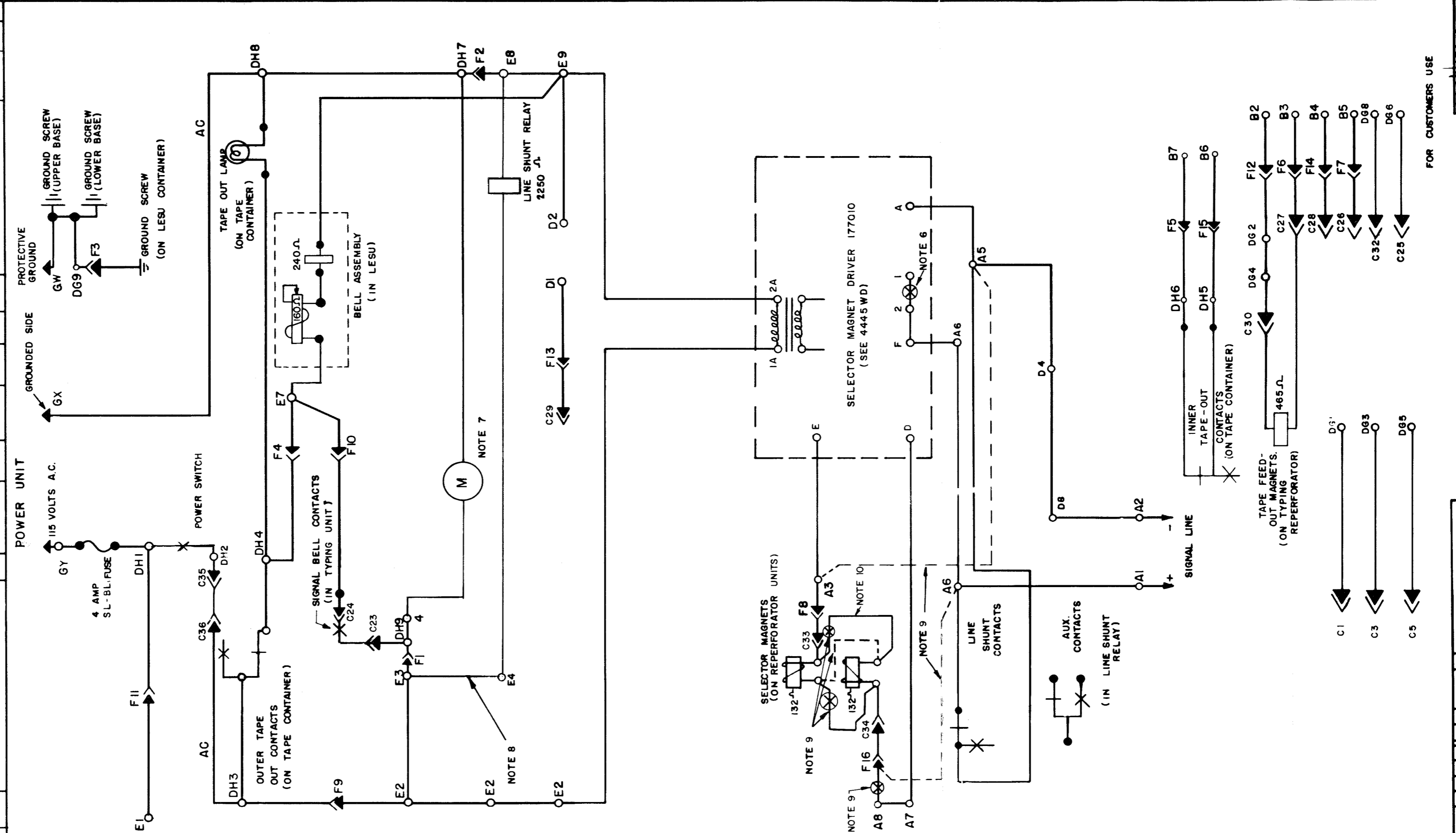


- NO. NOTES**
1. **WIRING DIAGRAMS OF INDIVIDUAL UNITS**
 4445 WD SELECTOR MAGNET DRIVER-177010
 5930 WD ELECTRICAL SERVICE UNIT LESU96
 2900 WD MOTOR UNITS - L MU 3,4,6.
 3736 WD TYPING REPERFORATOR BASE LRB 21,30
 3628 WD TYPING AND NON-TYPING REPERFORATOR
2. **LEGEND**
 C 36 POINT CONNECTOR
 G 3-POINT CONNECTOR (ON BASE)
 O DG TERMINAL BLOCK (ON BASE)
 O DH TERMINAL BLOCK (ON BASE)
 F 16-POINT CONNECTOR
 O A TERMINAL BLOCK (IN LESU)
 O B TERMINAL BLOCK (IN LESU)
 O D TERMINAL BLOCK (IN LESU)
 O E TERMINAL BLOCK (IN LESU)
 + N. C. CONTACT
 * N. O. CONTACT
3. DOT-DASH (---) LINES INDICATE FILTERING, SHIELDING AND SUPPRESSION NETWORKS.
4. ALL APPARATUS IS SHOWN IN UNOPERATED OR DE-ENERGIZED POSITIONS.
5. (A) RESISTANCE VALUES IN OHMS (Ω)
 (B) INDUCTANCE VALUES IN MICROHENRIES (MH)
 (C) CAPACITANCE VALUES IN MICROFARADS (MFD)
6. CIRCUITS SHOWN FOR .060 AMP. NEUTRAL SIGNAL LINE OPERATION. FOR .020 AMP LINE CURRENT, OMIT CONNECTION MARKED (⊗) IN SELECTOR MAGNET DRIVER.
7. USE SYNCHRONOUS MOTOR ON REGULATED 60 Hz (±1%) A.C. POWER ONLY. GOVERNED MOTORS AND OTHER POWER CIRCUITS OPERABLE ON 50 TO 60 Hz UNREGULATED A.C.
8. LINE SHUNT RELAY WHICH SHUNTS SELECTOR MAGNET DRIVER INPUT IS SHOWN CONTROLLED BY POWER SWITCH.
9. FOR SPECIAL APPLICATIONS SELECTOR MAGNETS CAN BE OPERATED DIRECTLY IN A NEUTRAL SIGNAL LINE AS FOLLOWS:
 COMPLETELY DISCONNECT SELECTOR MAGNET DRIVER, FOR 20 MILLIAMPERE, 60 AND 75 WPM OPERATION (OR ANY INTERMEDIATE SPEED.)
 1. STRAP A5 TO A3
 2. MOVE LEAD FROM TERMINAL A8 TO A6
 3. ADD DASHED (---) LEAD. OMIT ⊗ LEADS ON SELECTOR MAGNETS
 FOR 80 MILLIAMPERE, 60, 75 & 100 WPM OPERATION (OR ANY INTERMEDIATE SPEED.)
 1. STRAP A5 TO A3
 2. MOVE LEAD FROM TERMINAL A8 TO A6
10. FOR OPERATION WITH SELECTOR MAGNET DRIVER, SELECTOR MAGNETS MUST BE CONNECTED IN PARALLEL.



5931 WD

REVISIONS		
ISSUE	DATE	AUTH. NO.
2	12-10-63	78961
3	1-29-68	94715

FOR CUSTOMERS USE

WDP

SCHEMATIC WIRING DIAGRAM
 MODEL 28
 REPERFORATOR BASE
 LRB 21,30
 ELECT SERVICE UNIT
 LESU96

APPROVALS
 D AND E OF M

E NUMBER
 PROD. NO. 5931 WD
 DATE
 P.D. FILE NO. 1-49.65AA
 DRAWN E E CHKD
 ENGD R.S.P. APPC
 TELETYPE CORPORATION

3 5931 WD