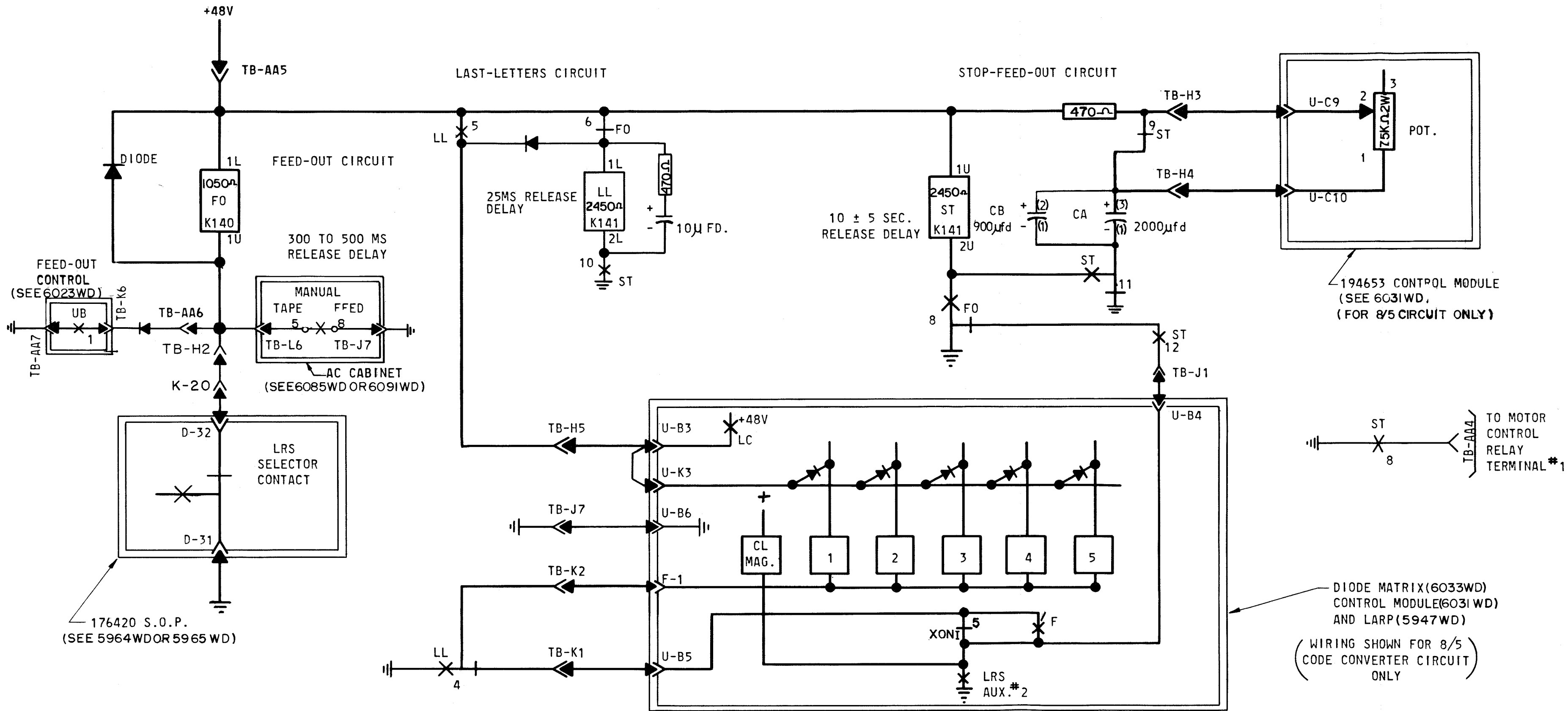


- NO. NOTES
- REFER TO 6084 AND 6036WD FOR WIRING LIST.
 - CONNECTIONS "TB" ARE ON 194636 TERMINAL BOARD LOCATED ON 194605 SERVICE UNIT.
 - ALL VOLTAGE DC UNLESS OTHERWISE SPECIFIED.
 - ▷ INDICATES FEMALE AND ◁ INDICATES MALE TERMINALS
 - ALL CAPACITANCE VALUES IN MICROFARADS, UNLESS OTHERWISE SPECIFIED.
 - TERMINAL DESIGNATION ENCLOSED IN PARENTHESES ARE FOR REFERENCE AND ARE NOT MARKED ON COMPONENT.

RTTY ELECTRONICS
TELETYPE=Sales-Service-Parts
PO Box 20101, Sobrante, Ca.
94820. (510)222-3102
mr_rtty@pacbell.net



5887 WD		
ISSUE	DATE	AUTH. NO.
1	9-24-63	78176
2	8-10-64	83011
3	9-25-64	83011-1

SCHEMATIC
AUTOMATIC
"LTRS" FEED OUT
194595 ASSEMBLY

APPROVALS	
D AND R	E OF M
E-NUMBER	
PROD. NO. 5887WD	
DATE: 8-17-62	
P.D. FILE NO. 3-95AAA	
DRAWN. E.R. CHKD. [initials]	
ENGD. P.H. B APPD.	
TELETYPE CORPORATION	
5887 WD	

TO MOTOR CONTROL RELAY TERMINAL #1

DIODE MATRIX (6033WD) CONTROL MODULE (6031WD) AND LARP (5947WD)
(WIRING SHOWN FOR 8/5 CODE CONVERTER CIRCUIT ONLY)