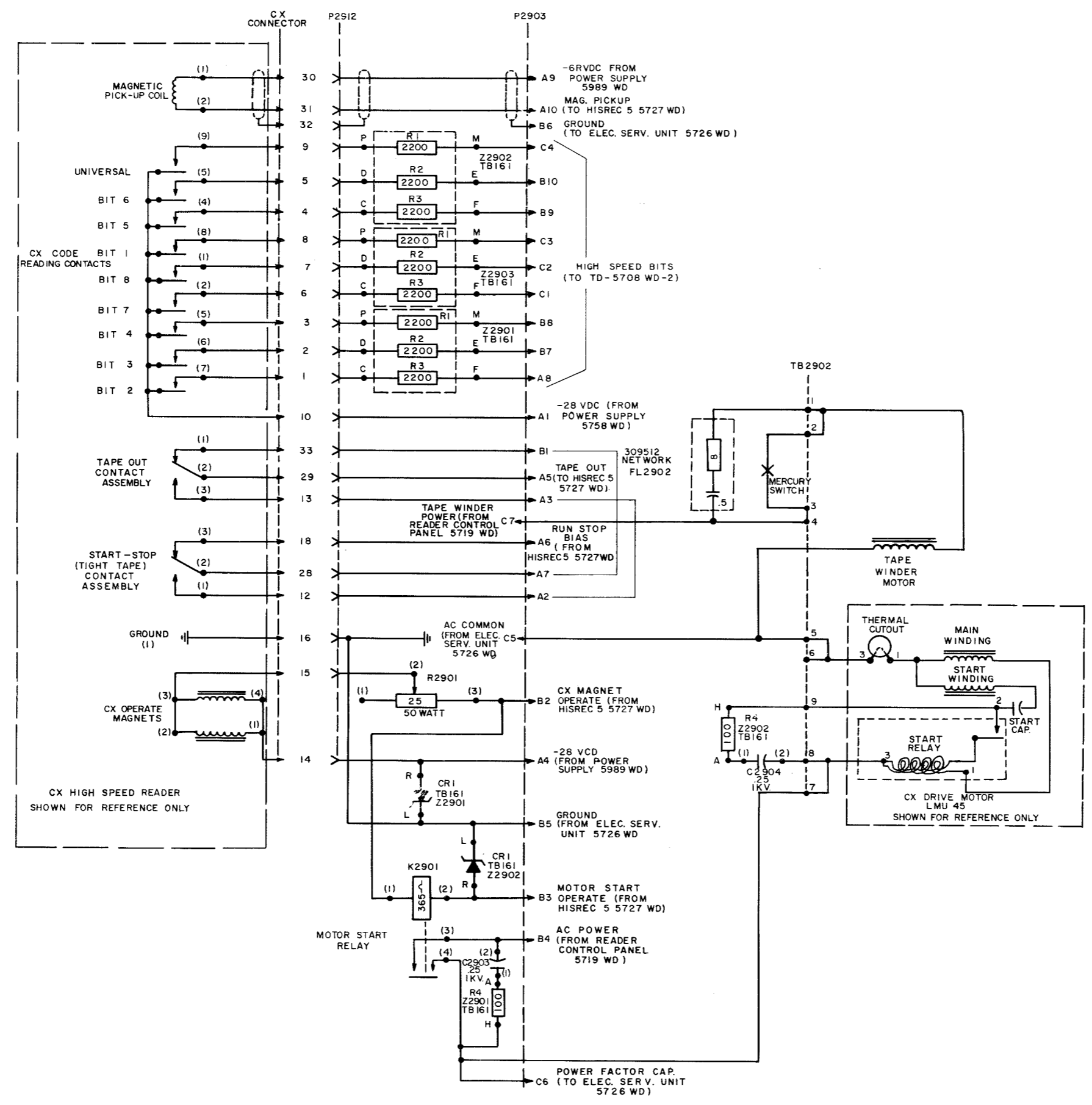


5738 WD		
REVISIONS		
ISSUE	DATE	AUTH. NO.
1	8-4-64	5738-R
2	8-31-64	82430
3	11-3-64	83848
4	11-21-66	89446

- NO. NOTES
- SEE 5739WD FOR ACTUAL WIRING DIAGRAM.
 - TERMINAL DESIGNATION ENCLOSED IN PARENTHESIS ARE FOR REFERENCE AND NOT MARKED ON COMPONENT.
 - ALL RESISTORS 1/2 WATT AND RESISTANCE VALUES IN OHMS UNLESS OTHERWISE SPECIFIED.
 - ALL CAPACITANCE VALUES IN MICRO-FARADS UNLESS OTHERWISE SPECIFIED.



RTTY ELECTRONICS
 TELETYPE-Sales-Service-Parts
 PO Box 20101 El Sobrante, Ca.
 94820. (510)222-3102
 mr_rtty@pacbell.net

SCHEMATIC WIRING DIAGRAM FOR READER PANEL ASSEMBLY

ASSEMBLY 193182

APPROVALS

D AND R	E OF M
---------	--------

E-NUMBER

PROD NO. 5738 WD

DATE 2-17-64

PRO FILE NO. 33-A25AA

DRAWN BY RCHKD

EMD, R.E.P. APPD

TELETYPE CORPORATION

5738WD