

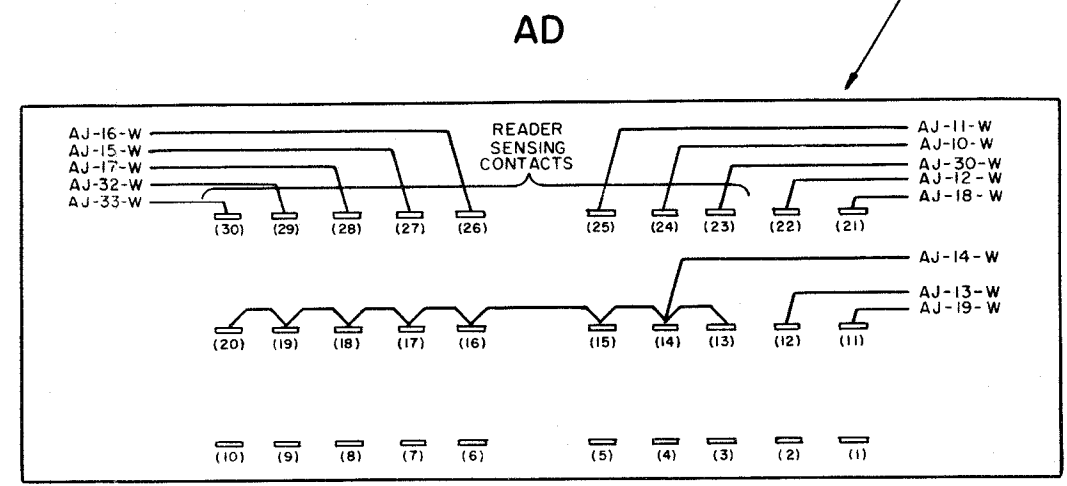
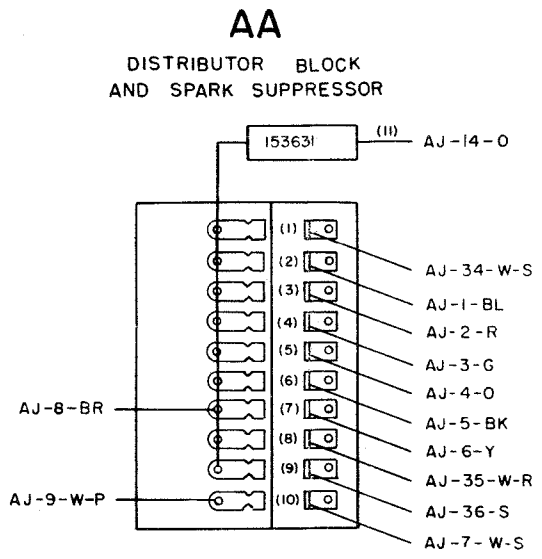
4417WD

REVISIONS

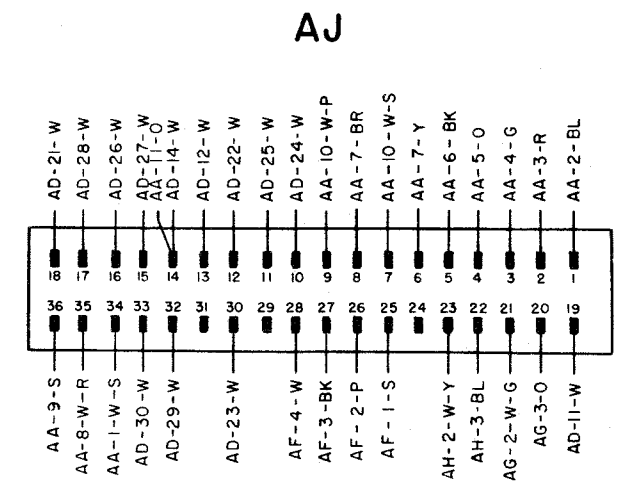
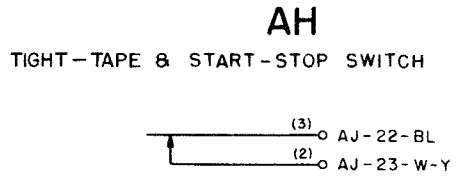
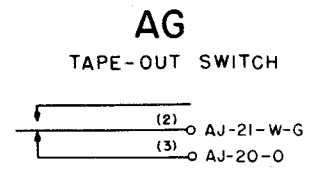
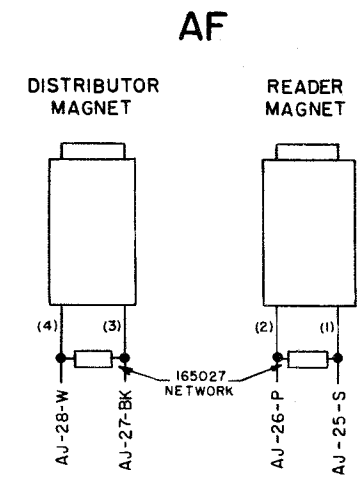
ISSUE	DATE	AUTH NO.
X 2	12-17-63	77430

RTTY ELECTRONICS
 TELETYPE=Sales-Service-Parts
 PO Box 20101 El Sobrante, Ca.
 94820. (510)222-3102
 mr_rtty@pacbell.net

- NO. NOTES
1. WIRING LEGEND:
 DISTANT TERMINATING AREA
 DISTANT TERMINATING DESIGNATION
 AA-2-BL
 WIRE COLOR CODE
 2. COLOR CODE:
 W - WHITE Y - YELLOW
 BK - BLACK G - GREEN
 BR - BROWN BL - BLUE
 R - RED P - PURPLE
 O - ORANGE S - SLATE
 3. ALL CONNECTORS VIEWED FROM SOLDERED TERMINAL END.



REAR VIEW OF CONNECTIONS WITH UNIT INVERTED



ACTUAL WIRING DIAGRAM FOR MODEL 28/35 TRANSMITTER DISTRIBUTOR LBXD800, 801

APPROVALS

D AND R <i>HJK</i>	E OF M <i>[Signature]</i>
-----------------------	------------------------------

E-NUMBER
 PROD. NO. 4417WD
 DATE 2-27-61
 P.D. FILE NO. 4-58.65AA
 DRAWN J.W.P. CHKD.
 ENGD. G.E.W. APPD.

TELETYPE CORPORATION
 4417WD