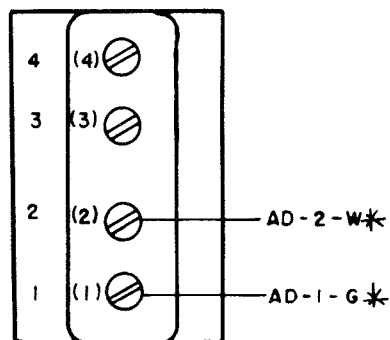


4296 WD

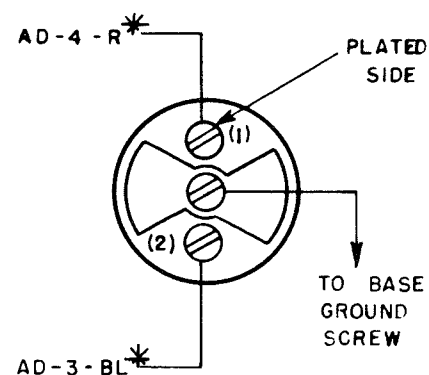
ISSUE	DATE	AUTH NO
A	11-3-60	CC-147
B	11-4-60	CC-160
C	2-10-62	72533
D		119
E	8-8-63	119A

~~REVISED~~

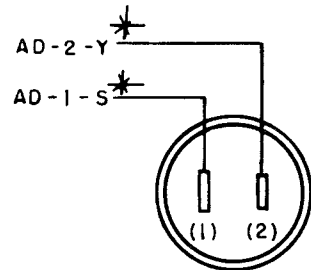
AA MOTOR TERMINAL BOARD



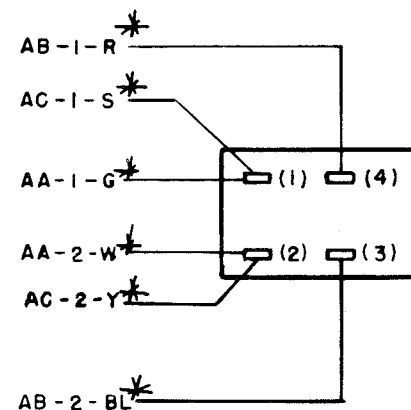
AB AC CONNECTOR



AC CAPACITOR CONNECTOR

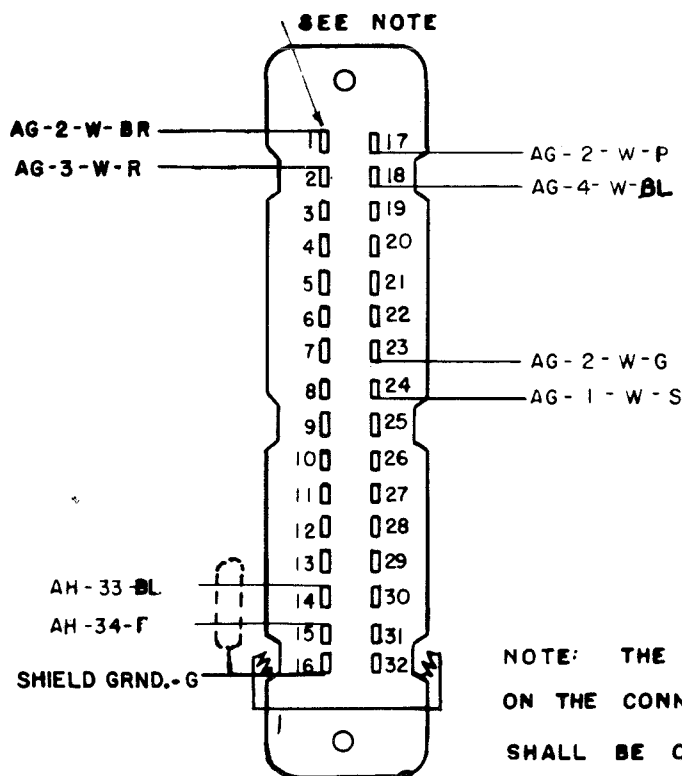


AD POWER SWITCH



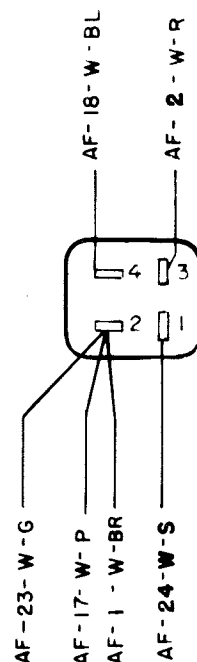
NOTE: ASTERISK (*) ITEMS INDICATE 18 GA. WIRE

AF PLUG CONNECTOR

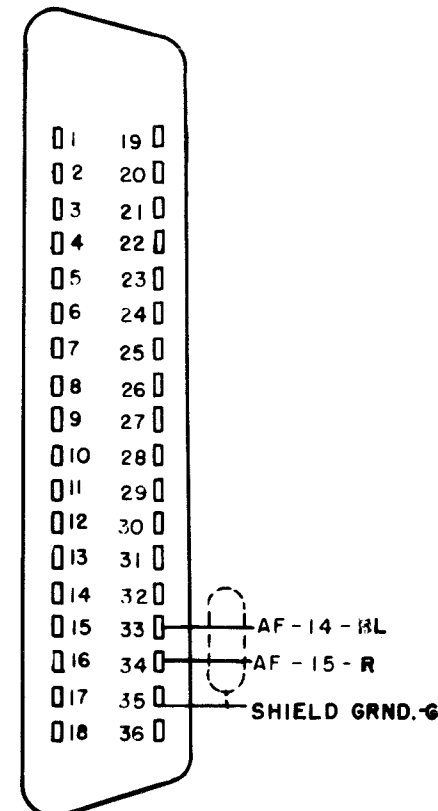


NOTE: THE NUMERAL "1" ON THE CONNECTOR SHELL, SHALL BE ON OPPOSITE END OF THE NUMERAL "1" ON THE CONNECTOR.

AG RECEPTACLE CONNECTOR



AH PLUG CONNECTOR



RTTY ELECTRONICS
TELETYPE=Sales-Service-Parts
PO Box 20101 El Sobrante, Ca.
94820. (510)222-3192
mr_rtty@pacbell.net

ACTUAL WIRING DIAGRAM
MODEL 28
REPERFORATOR
TRANSMITTER BASE

LRXB 17, 27

APPROVALS

D AND R E OF M

O.A.L.

E-NUMBER

PROD. NO. 4296 WD

DATE 8-2-60

P.D. FILE NO. 38-A2/65AA

DRAWN L.J.F. CHKD *[Signature]*

ENGD. RAH APPD. *[Signature]*

TELETYPE CORPORATION

4296 WD