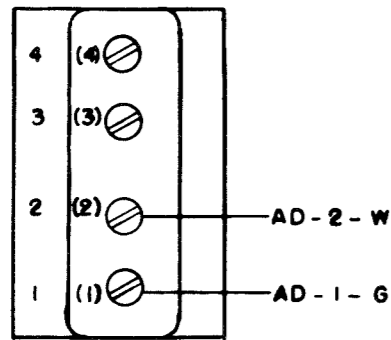
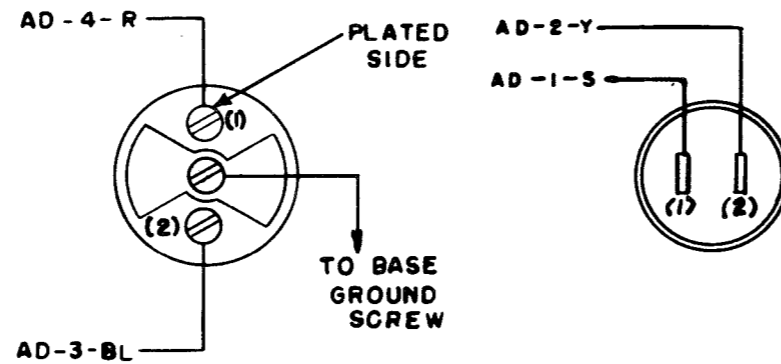


ISSUE	DATE	AUTH. NO.
A	10-21-59	28-11974
B	12-8-59	28-12281
C	11-25-60	28-14319

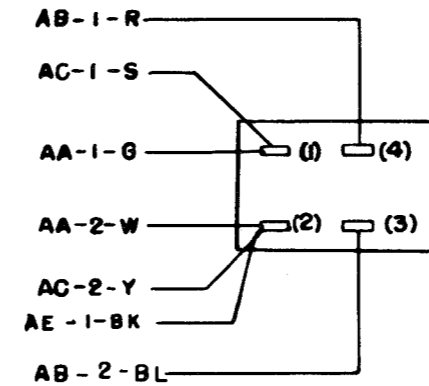
**AA**  
MOTOR TERMINAL BOARD



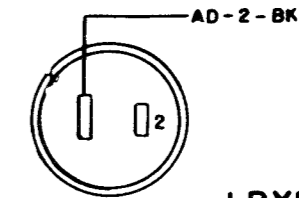
**AB** AC CONNECTOR  
**AC** CAPACITOR CONNECTOR



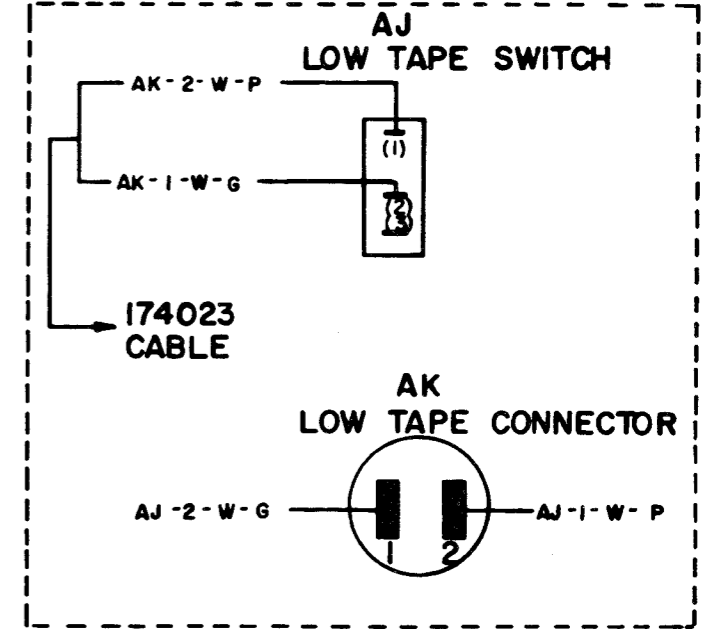
**AD** POWER SWITCH



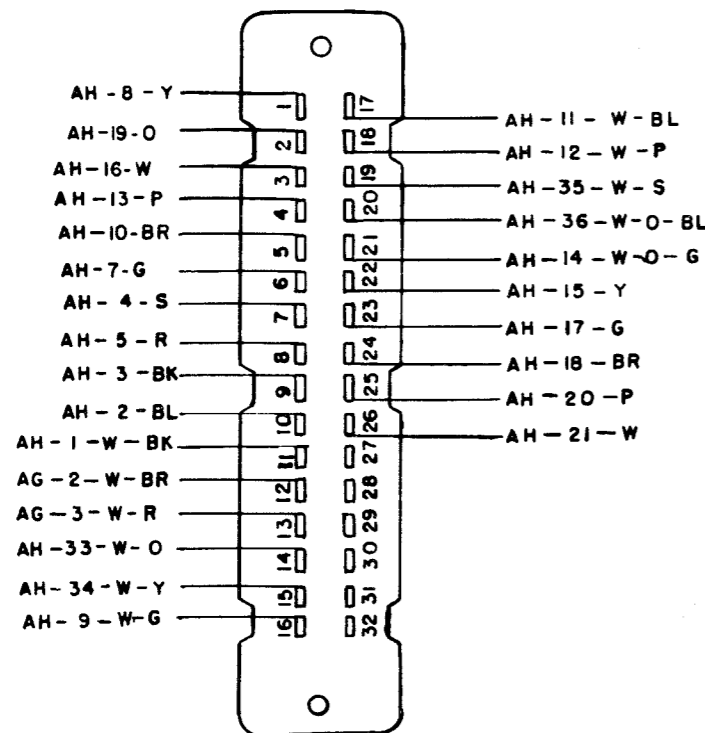
**AE** LINE SHUNT CONNECTOR



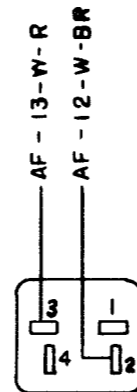
LRXB 22 ONLY



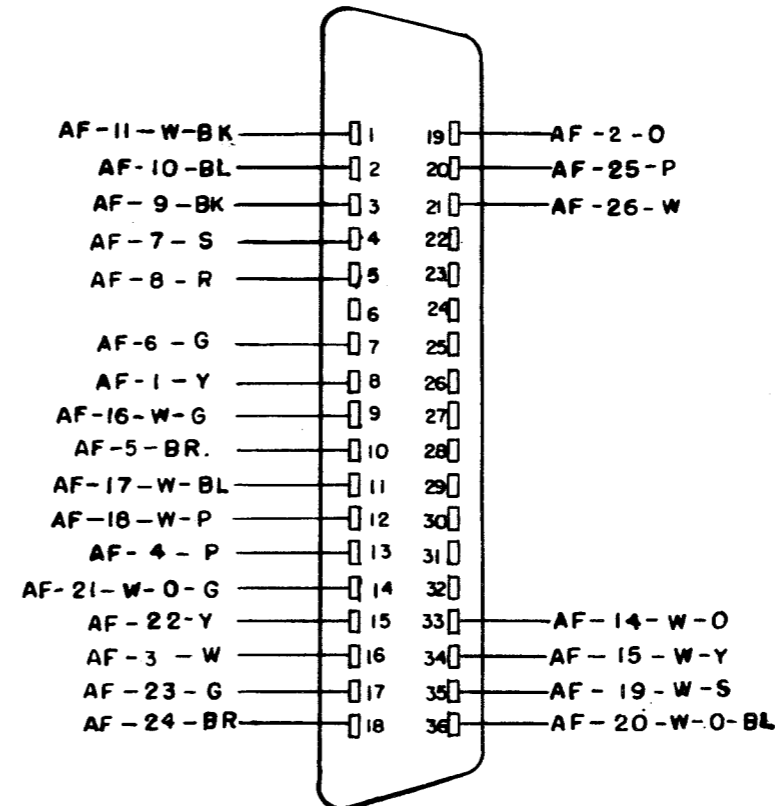
**AF** PLUG CONNECTOR



**AG** RECEPTACLE CONNECTOR



**AH** PLUG CONNECTOR



RTTY ELECTRONICS  
TELETYPE=Sales-Service-Parts  
PO Box 20101 El Sobrante, Ca.  
94820. (510)222-3102  
mr\_rtty@pacbell.net

ACTUAL  
WIRING DIAGRAM  
MODEL 28  
REPERFORATOR  
TRANSMITTER BASE

LRXB 10,12,22

LRXB22=288

APPROVALS

D AND R E OF M

E-NUMBER

PROD. NO. 3740WD

DATE: 7-9-59

P.D. FILE NO. 3-A65,220A

DRAWN N.A.R. CHKD B.G.

ENGD. J.R.H. APPD. J.R.H.

TELETYPE  
CORPORATION