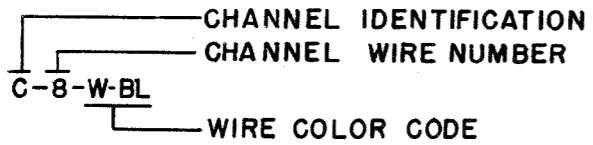
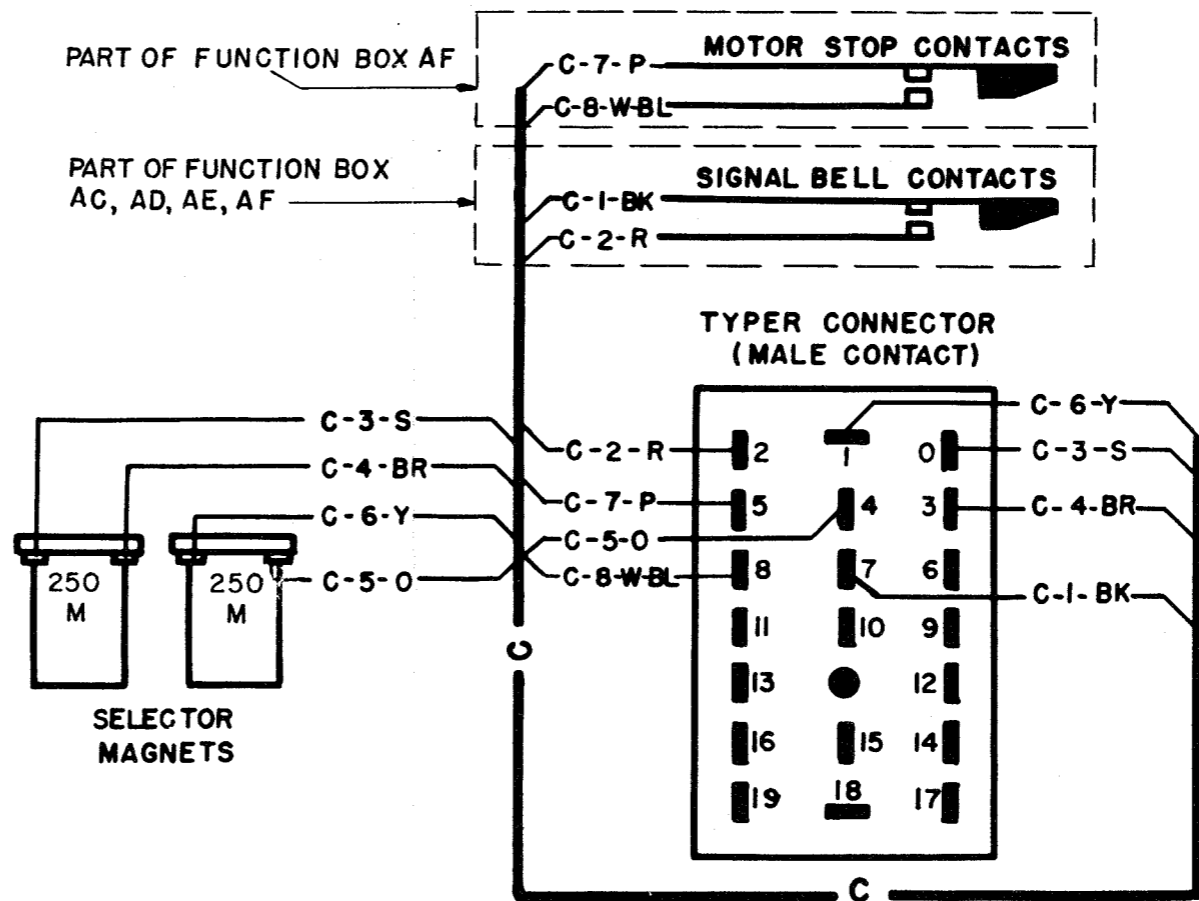


NO.	NOTES
1	WIRING CHANNEL DESIGNATED BY "C" DOES NOT REPRESENT CABLES, BUT ASSISTS IN TRACING CONNECTIONS.
2	CHANNEL LEGEND: 
3	POWER CIRCUITS WIRED FOR 115 V A.C. OPERATION ONLY
4	COLOR CODE: BK - BLACK BL - BLUE W - WHITE R - RED Y - YELLOW BR - BROWN P - PURPLE O - ORANGE S - SLATE W-BK-WHITE BLACK W-BL-WHITE BLUE
5	— X — DENOTES TAPED OR SPLICED AND TAPED WIRES.
6	CONNECTOR VIEWED FROM SOLDER TERMINAL ENDS.

REVISIONS
(A) 7-9-53 28-3710



RTTY ELECTRONICS
TELETYPE=Sales-Service-Parts
PO Box 20101 El Sobrante, Ca.
94820. (510)222-3102
mr_rty@pacbell.net

LP3 TYPERS (WITH FUNCTION BOX AC, AD, AE, AF AND NON-ELECTRICAL ACCESS GROUPS 000, 001, 002, 100, 117)

2864 WD A 4-22-53	
ACTUAL WIRING DIAGRAM-MODEL 28	
TYPER LP3 FUNCTION BOX AC, AD, AE, AF	
ACCESS GROUPS 000, 001, 002, 100, 117	
DRAWN: <i>elc</i>	APPROVED:
ENGR'D: <i>S.G.</i>	<i>asb</i>
CHECKED <i>2/FR</i>	
FILE: 1:30.65.156	
TELETYPE CORPORATION	