

**ASSOCIATED CABLES**

- 95054 CABLE (A.C.)
- 95055 CABLE (D.C.)
- 95056 CABLE (A.C.)
- 95057 CABLE (D.C.)
- 95058 CABLE (D.C.)
- 95059 CABLE (A.C.)
- 95060 CABLE (D.C.)
- 95061 CABLE (D.C.)
- 95062 CABLE (D.C.)

**COLOR CODE**

- BK BLACK
- W WHITE
- R RED
- G GREEN
- O ORANGE
- BL BLUE

SWITCHING KEY    TAPE OUT KEY    FRONT OF TABLE

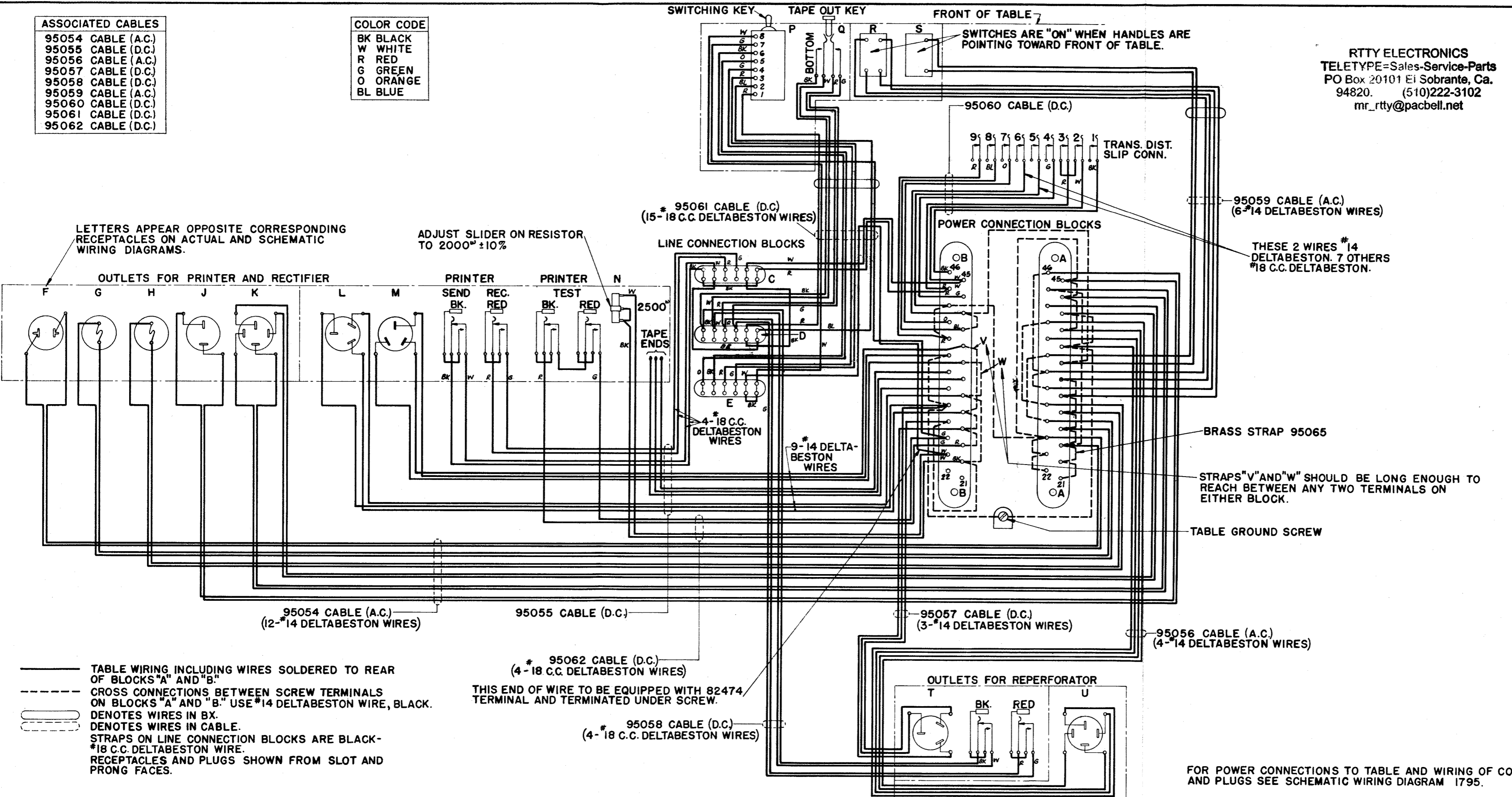
SWITCHES ARE "ON" WHEN HANDLES ARE POINTING TOWARD FRONT OF TABLE.

RTTY ELECTRONICS  
TELETYPE=Sales-Service-Parts  
PO Box 20101 El Sobrante, Ca.  
94820. (510)222-3102  
mr\_rtty@pacbell.net

- REVISIONS**
- ⓑ 95061 CABLE CONNECTIONS CHANGED. 1-13-39 HCA.
  - ⓒ 95057 CABLE CONNECTIONS ON TERM. BLK. CHND. WIRES TO TERMS. D5 & 6 REVERSED. 2-15-39 O.A.L.
  - ⓓ XRT107 ADDED. 12-13-40 E.E.
  - ⓔ 2000<sup>W</sup> RESISTOR CHANGED TO 2500<sup>W</sup>. 2-13-41 J.J.F.

LETTERS APPEAR OPPOSITE CORRESPONDING RECEPTACLES ON ACTUAL AND SCHEMATIC WIRING DIAGRAMS.

ADJUST SLIDER ON RESISTOR TO 2000<sup>W</sup> ±10%



THESE 2 WIRES #14 DELTABESTON. 7 OTHERS #18 C.C. DELTABESTON.

BRASS STRAP 95065  
STRAPS "V" AND "W" SHOULD BE LONG ENOUGH TO REACH BETWEEN ANY TWO TERMINALS ON EITHER BLOCK.

TABLE GROUND SCREW

95054 CABLE (A.C.)  
(12-#14 DELTABESTON WIRES)

95055 CABLE (D.C.)

95057 CABLE (D.C.)  
(3-#14 DELTABESTON WIRES)

95056 CABLE (A.C.)  
(4-#14 DELTABESTON WIRES)

95062 CABLE (D.C.)  
(4-18 C.C. DELTABESTON WIRES)

THIS END OF WIRE TO BE EQUIPPED WITH 82474 TERMINAL AND TERMINATED UNDER SCREW.

95058 CABLE (D.C.)  
(4-18 C.C. DELTABESTON WIRES)

- TABLE WIRING INCLUDING WIRES SOLDERED TO REAR OF BLOCKS "A" AND "B."
- - - CROSS CONNECTIONS BETWEEN SCREW TERMINALS ON BLOCKS "A" AND "B." USE #14 DELTABESTON WIRE, BLACK.
- ⊃ DENOTES WIRES IN BX.
- ⊃ DENOTES WIRES IN CABLE.
- STRAPS ON LINE CONNECTION BLOCKS ARE BLACK-#18 C.C. DELTABESTON WIRE.
- RECEPTACLES AND PLUGS SHOWN FROM SLOT AND PRONG FACES.

FOR POWER CONNECTIONS TO TABLE AND WIRING OF CORDS AND PLUGS SEE SCHEMATIC WIRING DIAGRAM 1795.

TELETYPE CORPORATION  
WD-1794-A  
DEC. 5, 1938  
WD-1794-E

ACTUAL WIRING DIAGRAM FOR XRT96 & XRT107 METAL TABLE FOR 19 TYPE SET

DRAWN HCA.  
TRACED HCA.  
CHECKED M.T.G.  
ENGR'D. M.T.G.  
APPROVED M.T.G.