

INSTRUCTIONS FOR INSTALLING THE 305737
MODIFICATION KIT TO PROVIDE THE LPW300
PAPER WINDER WITH IMPROVED PAPER SPINDLE

1. GENERAL

1.01 The 305737 modification kit provides a nylon pilot which reduces the likelihood of breakage and insures an adequate press fit of the pilot in the spindle flange. The new bearing drive post and bearing replace the old bearing drive post and bearing to prevent breakage. The spindle retainer, which is included to prevent paper spindle disengagement from the winder, insures spindle engagement with the bearing by providing a continual axial thrust against the paper spindle.

Note: All current LPW300 paper winders coming from the factory are equipped with the parts in the 305737 kit.

1.02 The 305737 modification kit consists of:

1	193960	Pilot	1	327100	Bearing
1	305676	Spindle Retainer	1	327101	Post

1.03 For parts ordering information see Teletype Parts Bulletin 1129B.

2. INSTALLATION (See Figures 1 and 2)

2.01 Remove the paper spindle assembly from the LPW300 paper winder.

2.02 Disengage the two halves of the paper spindle assembly and remove the 193960 pilot from the 193964 paper spindle right flange assembly. The 193960 pilot is press fit in the flange and may be removed by means of a gas pliers or by tapping the pilot through from the inward side of the flange.

Discard the pilot.

2.03 Install the redesigned 193960 pilot, provided in the modification kit, by inserting it in the right flange assembly in the same position as the old design 193960 pilot removed in the previous paragraph.

2.04 Remove the 305678 bearing drive post and 305679 spindle bearing from the motor shaft and discard.

SPECIFICATION 50351S

- 2.05 Install the 327100 bearing on the motor shaft with the 327101 post (Figure 1).

CAUTION: POSITION THE 327101 POST SO THAT THE TAPERED POINT OF THE POST IS DRIVEN INTO THE TAPPED HOLE AND NOT ON THE OUTSIDE DIAMETER OF THE MOTOR SHAFT.

- 2.06 Remove the 193963 spring clip from the 193962 support bracket of the 193948 left side bracket.
- 2.07 Mount the 305676 spindle retainer in the support bracket (Figure 2).
Install the 193963 spring clip removed in Paragraph 2.06 making sure the retainer spindle extension is behind the spring clip.

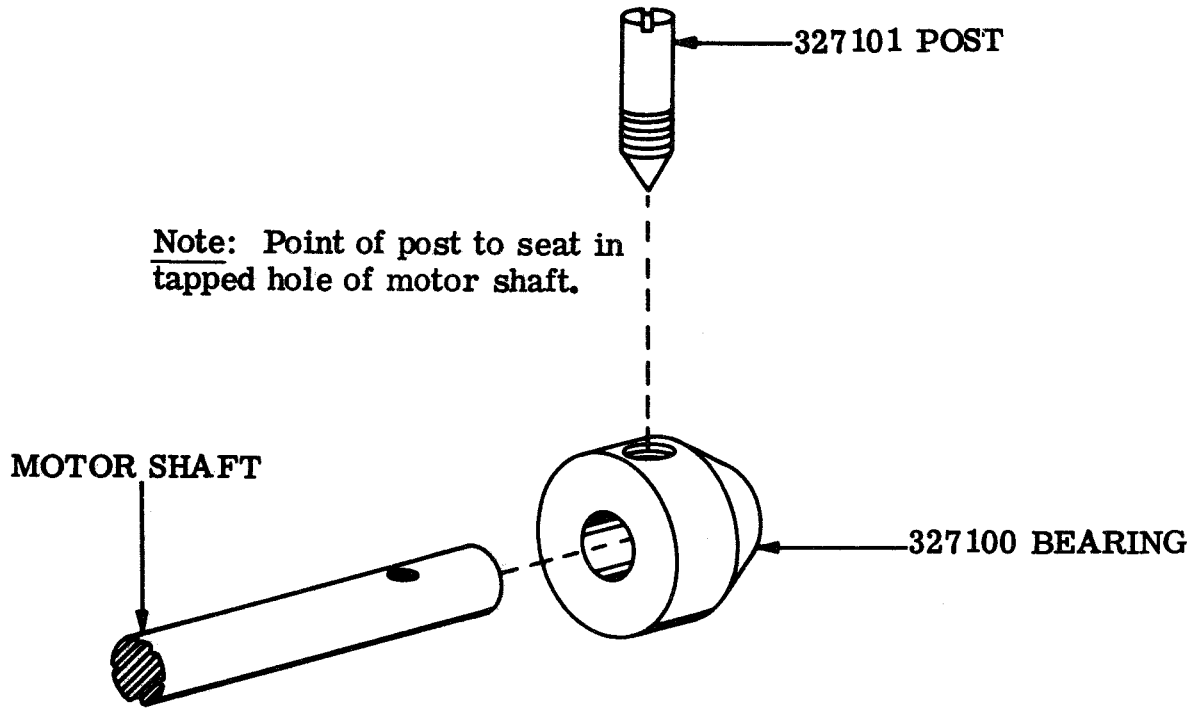


FIGURE 1

50351S

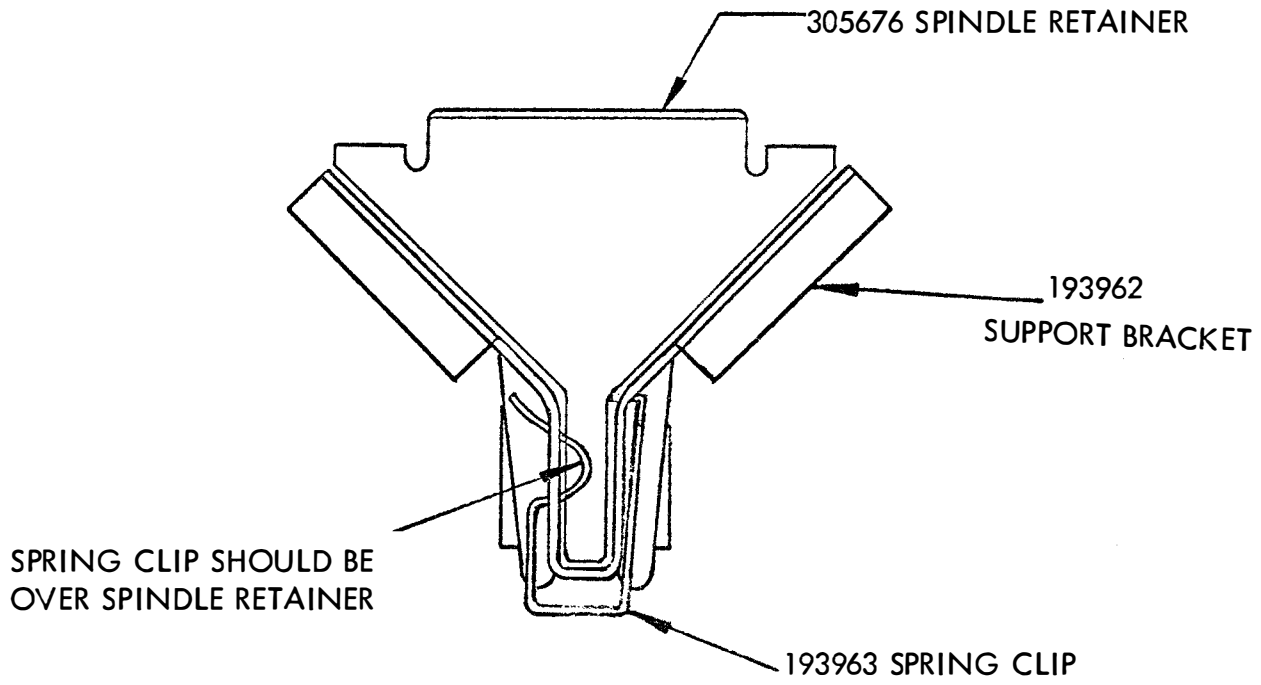


FIGURE 2