

# **TAPE HANDLING EQUIPMENT BY THE TELETYPE CORPORATION**

This equipment is designed to assist you in winding, unwinding and splicing paper tapes used by Teletype message and data communications equipment.

Available in various operational speeds and tape storage capacities, these devices can serve in a variety of applications. They are low in cost, high in performance, easy to maintain.

A Teletype applications specialist is always on hand to answer questions or to assist you in system planning. Call or write to him soon!



**TELETYPE<sup>®</sup>**  
CORPORATION SUBSIDIARY OF *Western Electric Company* INC.



### **TW 200 TAPE WINDER\***

Weight: 6½ lbs.

Height: 9⅞ inches

Width: 6 inches

Length: 10 inches

Motor: 115 volt, 60 cycle, a.c.

Reel Speed: 60 RPM; up to 914 WPM  
at core

Reel Size: 8 inches

Core Size: 3 inches

Capacity: 600 ft. fully perforated tape  
300 ft. chadless tape

Tape Widths: ⅜, 15/32, 11/16,  
7/8 and 1 inch

The TW 200 can be adapted to wind tape from either the right or the left by simple relocation of a few parts.

### **TW 203 TAPE WINDER\***

Weight: 10 lbs.

Height: 7⅞ inches

Length: 10½ inches

Width: 6¼ inches

Motor: 115 volt, 60 cycle, a.c.

Reel Speed: 60 RPM; up to 628 WPM  
at core

Reel Size: 7½ inches

Core Size: 2 inches

Capacity: 650 ft. fully perforated tape  
325 ft. chadless tape

Tape Widths: 11/16, 7/8 and 1 inch

The TW 203 is similar to the TW 200 but is equipped with a special spindle and plastic reel for use with the Teletype High-Speed Tape-To-Tape system. This winder is equipped with provisions for fixed mounting positions.



### **146821 TAPE WINDER\***

Weight: 4½ lbs.

Height: 7½ inches

Width: 7½ inches

Length: 4½ inches

Motor: Spring driven

Reel Speed: Up to 1000 WPM

Reel Size: 7½ inches

Core Size: 2 inches

Capacity: 350 ft. fully perforated tape  
170 ft. chadless tape

Tape Widths: 11/16, 7/8 and 1 inch

This spring driven tape winder is equipped with a special spindle and plastic reel for use with Teletype's High-Speed Tape-To-Tape system. It includes provisions for fixed mounting.

### **146892 TAPE UNWINDER**

Weight: 3½ lbs.

Height: 11 inches

Width: 10½ inches

Length: 6 inches

Capacity: Up to 800 ft. fully perforated tape  
Up to 400 ft. chadless tape

Tape Widths: 11/16, 7/8 and 1 inch

The 146892 tape unwinder operates at speeds up to 1050 words per minute. It is equipped with a standard Teletype High-Speed Tape-To-Tape system reel, easily removed for renewing the tape supply. A tension-limiting arm operates a braking mechanism to prevent reel over-run and to maintain proper tension while the unit is operating. Positioning a lever permits free-wheeling of the reel.

### TW 15 TAPE WINDER

Weight: 25 lbs.

Height: 12½ inches

Width: 10 inches

Length: 18 inches

Motor: 115 volt, 60 cycle, a.c.

Reel Speed: 30 RPM; up to 300 WPM  
at core

Reel Size: 12 inches

Core Size: 2 inches

Capacity: 2000 ft. fully perforated tape  
1000 ft. chadless tape

Tape Width: 11/16 inch

The TW 15 is a three-reel, rim-driven tape winder. Its base includes power and driving mechanisms, a tape tension device, clutch engage-disengage mechanism, rollers for tape reel engagement, and a full reel alarm.

### TW 17 TAPE WINDER\*

Weight: 18 lbs.

Height: 17¼ inches

Width: 5½ inches

Length: 23½ inches

Motor: 115 volt, 50-60 cycle, a.c.

Reel Speed: Up to 2000 WPM at core

Reel Size: 15½ inches

Core Size: 4½ inches

Capacity: 3000 ft. fully perforated tape  
2000 ft. chadless tape

Tape Widths: 11/16, 7/8 and 1 inch

This unit provides easy access to and removal of the tape reel, and is equipped with an indicator contact assembly for an external alarm. Split-reel core allows easy removal of tape. Cabinet is optional, part no. 148135.

### TW 18 TAPE WINDER\*

Weight: 14 lbs.

Height: 13½ inches

Width: 6 inches

Length: 17½ inches

Motor: 115 volt, 50-60 cycle, a.c.

Reel Speed: 30 RPM; 300 WPM at core

Reel Size: 12 inches

Core Size: 2 inches

Capacity: 2000 ft. fully perforated tape  
1000 ft. chadless tape

Tape Widths: 11/16, 7/8 and 1 inch

The TW 18 is similar to the TW 15 tape winder, but is equipped with a single reel. Equipment mounted on the base is identical to the TW 15. Cabinet is optional, part no. 194770.



### 146815 TAPE CENTER UNWINDER

Diameter: 12 inches

Weight: 2 lbs.

Core Size: 2 $\frac{5}{8}$  inches

Capacity: 1800 ft. fully perforated tape  
1000 ft. chadless tape

Tape Widths: 11/16,  $\frac{7}{8}$  and 1 inch

The 146815 tape center unwinder is capable of accepting perforated tape for subsequent center pay-out to a tape reader operating at speeds up to 100 words per minute.



### TF 200 TAPE CENTER UNWINDER (POWER DRIVEN)\*

Diameter: 15 inches

Weight: 9 lbs.

Core Size: 2 $\frac{5}{8}$  inches

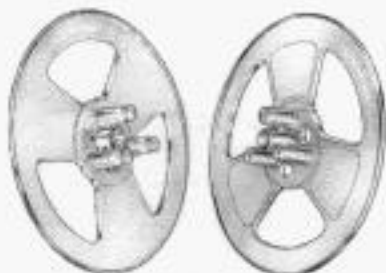
Height: 7 inches

Capacity: 2000 ft. fully perforated tape  
1000 ft. chadless tape

Tape Widths: 11/16 to 1 inch

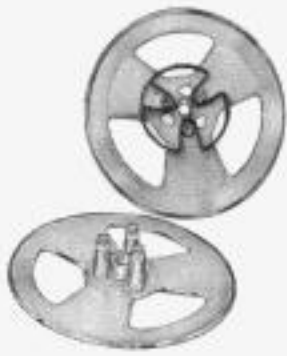
The TF 200 tape feeder is a power driven, center-unwind unit. It automatically adjusts to the requirements of high-speed transmitters or tape readers by means of a tape sensing arm which actuates the feeder's motor. Tape is fed from the center of the tape roll at speeds up to 2000 words per minute. Maximum tape roll diameter is 12 $\frac{7}{8}$  inches.

### 145911 REEL



This tape reel is used in the Teletype High-Speed Tape-To-Tape system as well as some other tape winders and unwinders shown in this folder. It handles up to 800 ft. of fully perforated tape or 400 ft. of chadless tape, from 11/16 to one inch wide. Reel diameter is 7 $\frac{1}{2}$  inches with a 2-inch core.





### 146698 REEL ADAPTER

This adapter is designed to increase the core diameter of plastic reels used in the Teletype High-Speed Tape-To-Tape system, from 1-15/16 inches to 3¼ inches. It is used in applications where accumulated tape is to be transferred to center-unwind reels for retransmission. It is easily attached to or removed from the standard reels.



### 146806 REEL ADAPTER

This adapter increases the core diameter of plastic reels used with the Teletype High-Speed Tape-To-Tape system, from 1-15/16 inches to 4½ inches. It is used in applications where tape will be transferred to other reels having a 4½-inch diameter core.



### 99214 TAPE SPLICER

Weight: 1¾ lbs.

Height: 4 inches

Width: 3½ inches

Length: 6½ inches

Tape Width: 11/16 inch

Type of Splice: 3-character overlap

Bonding Agent: None required

This tape splicer joins the ends of two pieces of chadless tape by compressing the partial perforations of one tape through the openings in the other. Transmission can be accomplished without interruption after splice is made.



### LTS TAPE SPLICER

Weight: 6¼ lbs.

Height: 12½ inches

Width: 8½ inches

Length: 9¼ inches

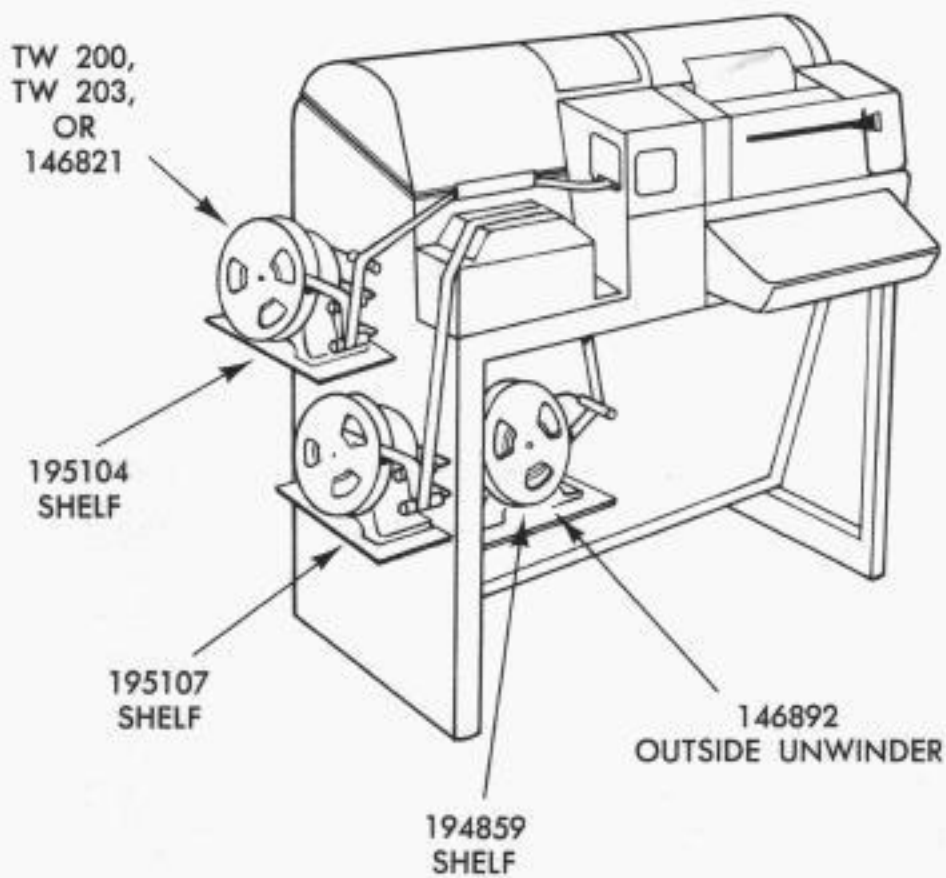
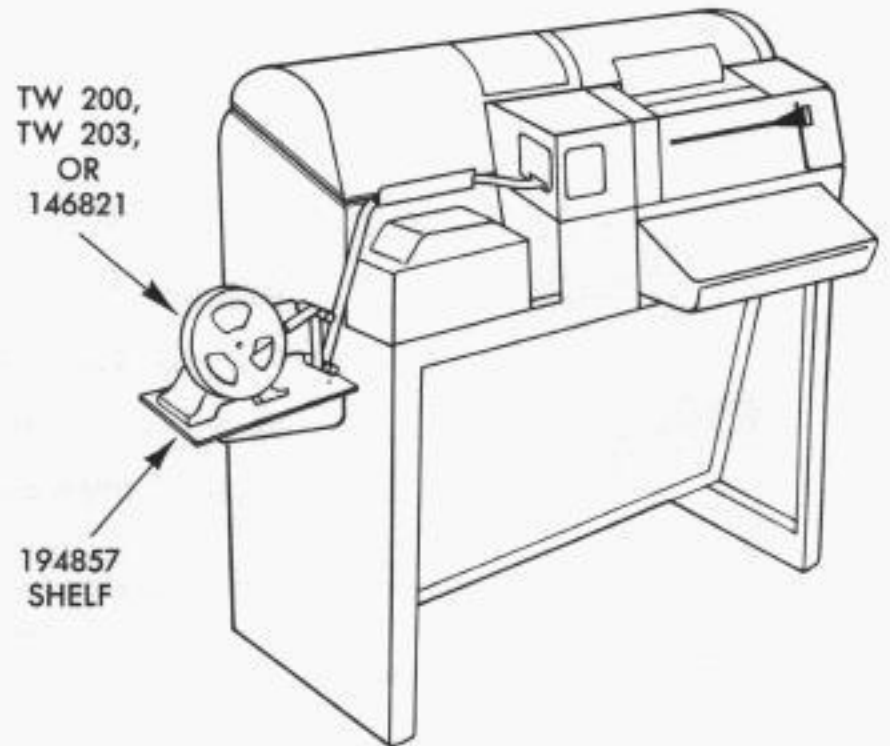
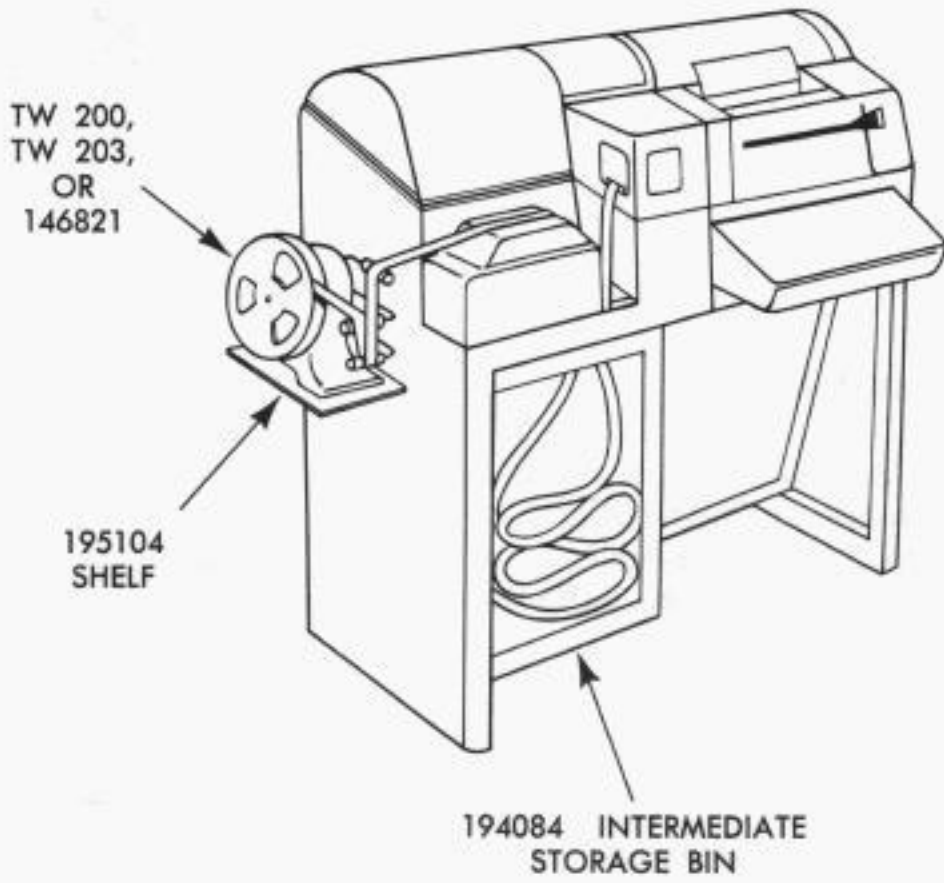
Width of Tape: 11/16 inches

Type of Splice: Butt splice, single

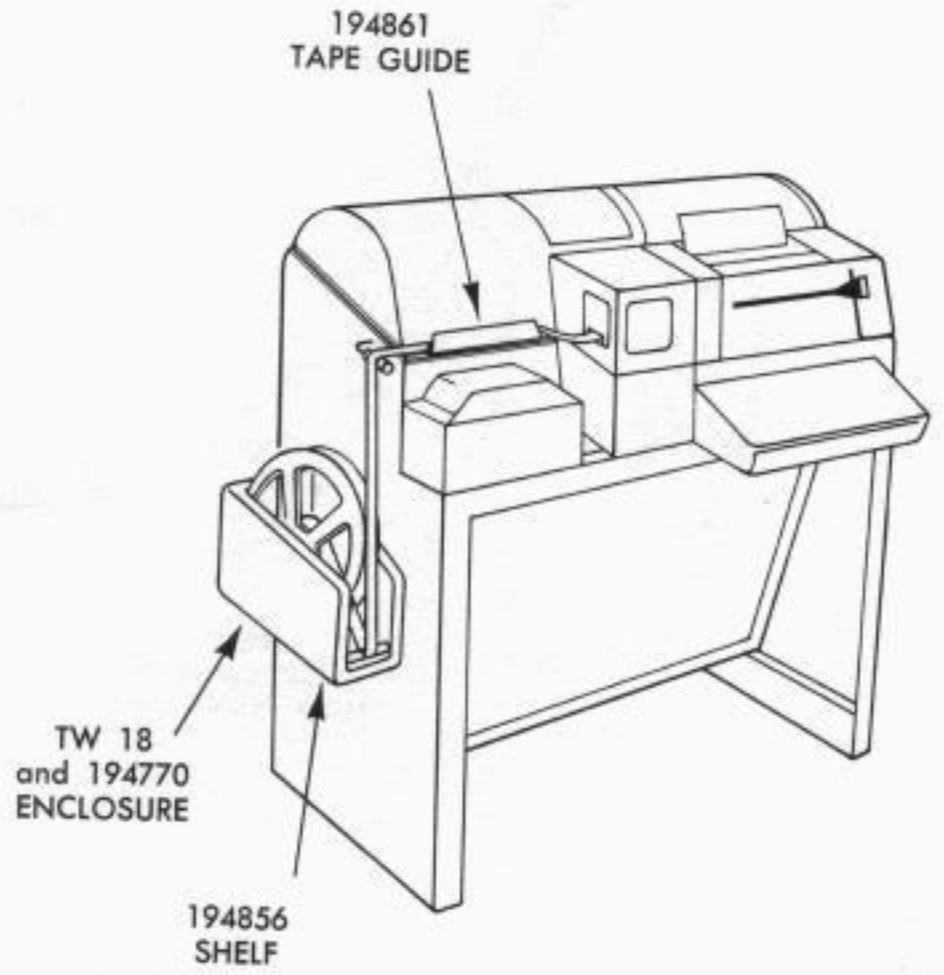
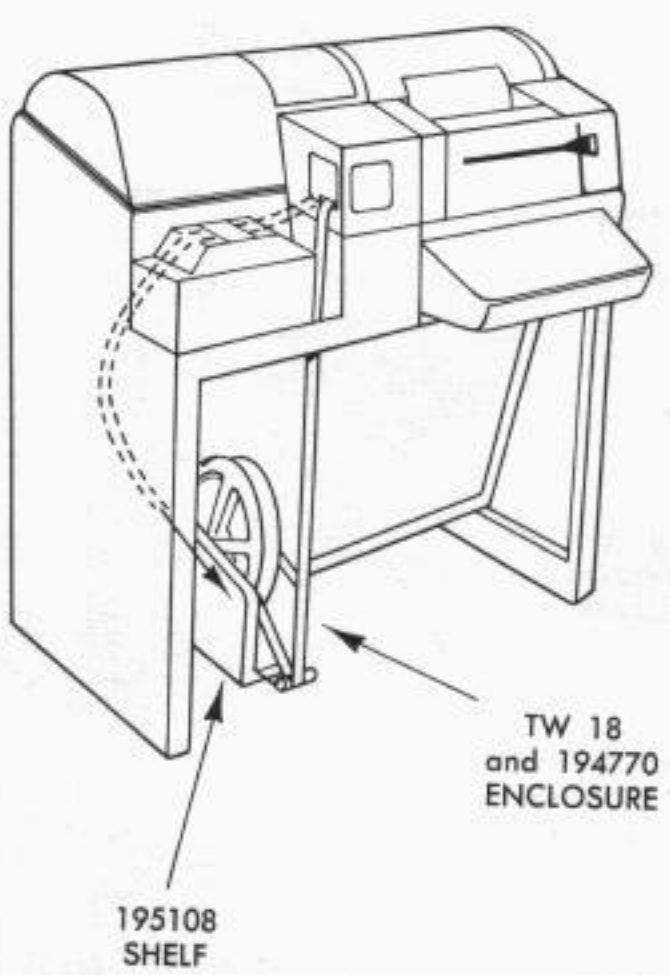
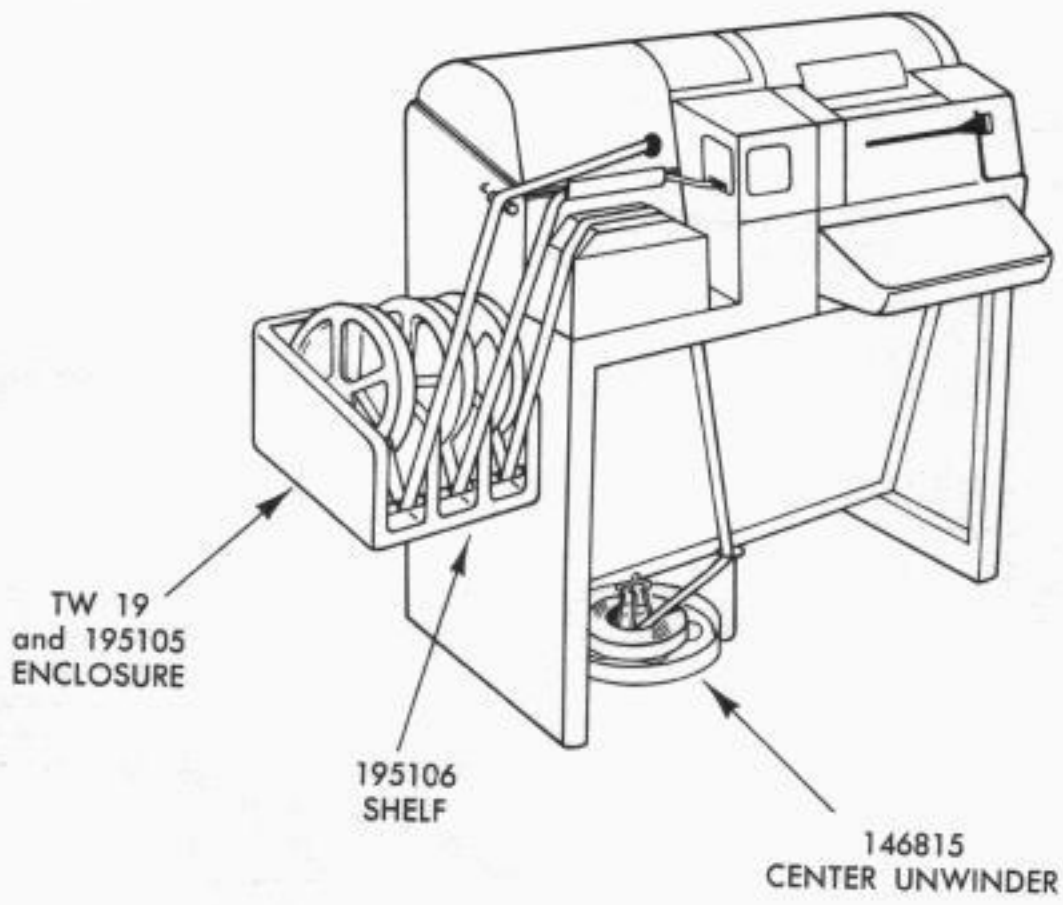
Bonding Agent: ¼-inch wide,  
#9 white manifold,  
onion skin, .0015  
inch thick

This Model 28 LTS tape splicer is designed to join a nearly depleted roll of tape with a fresh supply. This assures a continuous flow of perforated tape. The unit can be used 90 seconds after power is turned on.

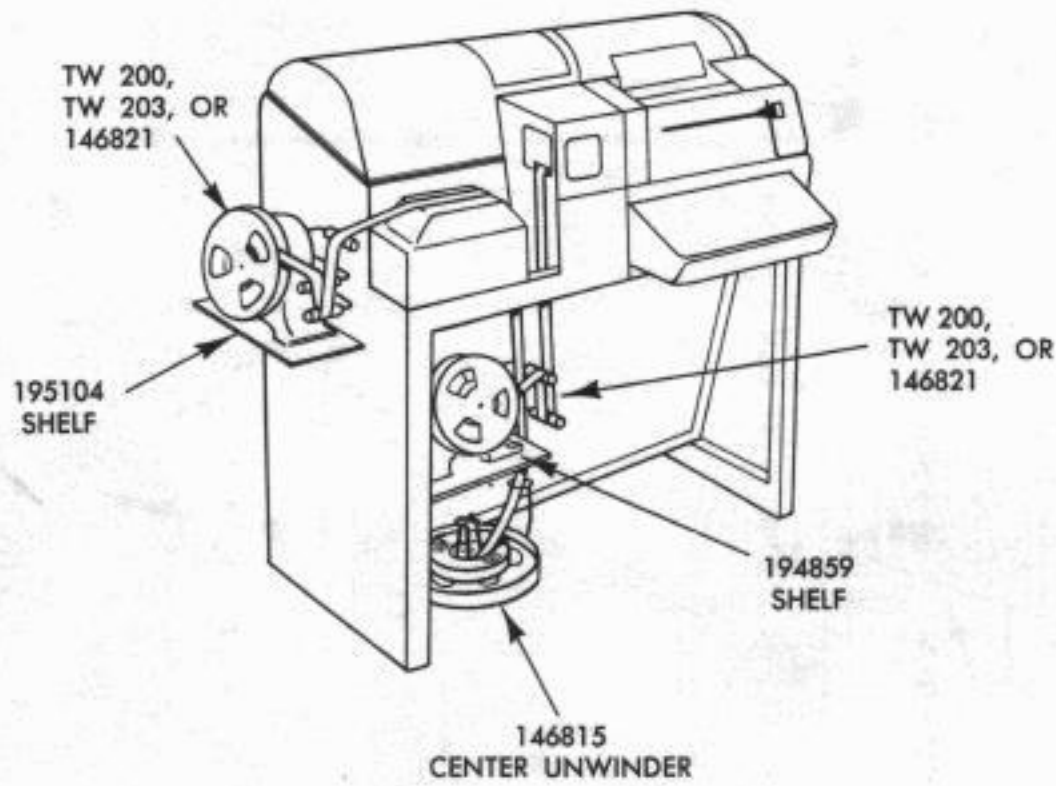
# TYPICAL TAPE HANDLING APPLICATIONS



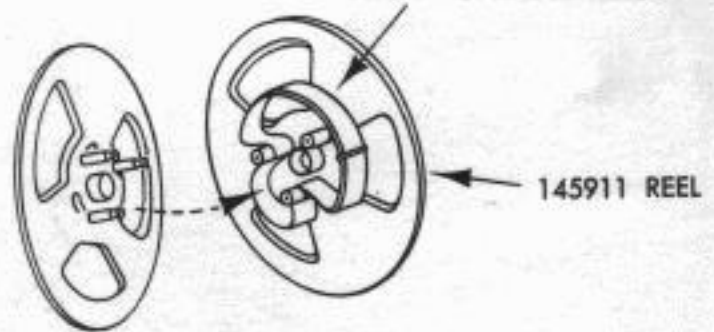
# TYPICAL TAPE HANDLING APPLICATIONS



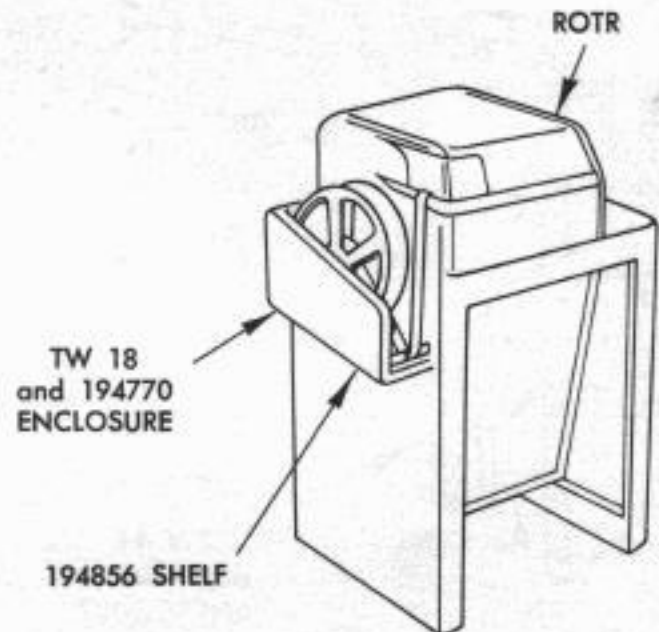
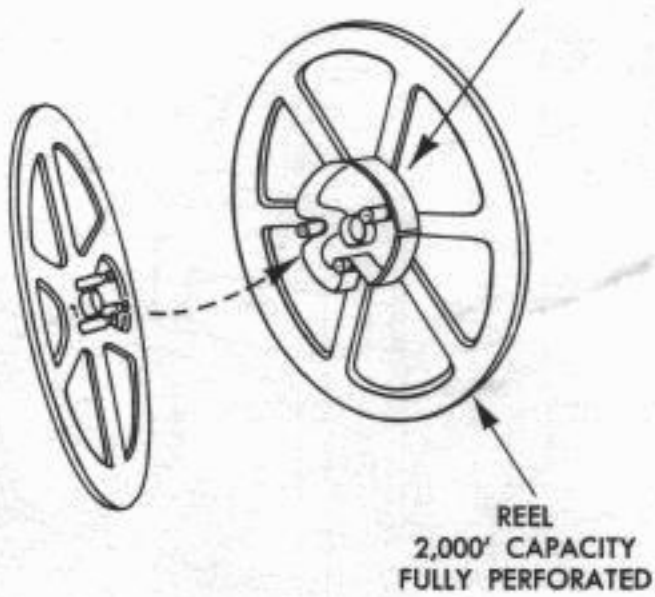
# TYPICAL TAPE HANDLING APPLICATIONS



USE 3/4" ADAPTER 146698  
IF ACCUMULATED TAPE IS  
TO BE TRANSFERRED TO A  
CENTER UNWIND REEL



USE ADAPTER 194442  
IF ACCUMULATED TAPE  
IS TO BE TRANSFERRED  
TO A HIGH-SPEED TAPE-  
TO-TAPE REEL OR  
A CENTER UNWIND REEL



**GENERAL OFFICES**  
5555 Touhy Avenue  
Skokie, Illinois  
Phones: ORchard 6-1000, Skokie  
COrnellia 7-6700, Chicago  
Direct Distance Dialing  
Area Code 312

**GOVERNMENT LIAISON OFFICE**  
425 - 13th Street, N.W.  
Washington 4, D.C.  
Phone: MEtropolitan 8-1016

TWX: 312-677-6700  
(24-hour unattended service)  
W. U. services on premises  
Telex: 02-5451

TH20M10463  
Litho in U.S.A.