

INSTRUCTIONS FOR INSTALLING
THE 152833 SET OF PARTS TO ADD
PAPER STRAIGHTENING SHAFT BEARING
CLIPS ON A MODEL 28 PRINTER
(SERIAL NOS. 1-1499 INCL.)

1. GENERAL

a. The 152833 set of parts when installed on a Model 28 printer (Serial Nos. 1-1499 incl.) provides a hardened bearing surface for the ends of the paper straightening rod. Model 28 Printers (Serial Nos. 1500 and above) are already equipped with this set of parts.

b. The 152833 set of parts consists of:

1	125015	Washer
2	152831	Clip
1	152832	Shaft

c. For part numbers included in the text see Teletype Model 28 Printer Parts Bulletin.

2. INSTALLATION (Figure 1)

a. Remove the 150680 shaft. Remove the 150683 collars and 6807 set screws from the 150680 shaft and install them on the 152832 shaft. Discard the 150680 shaft.

b. Fasten the 152831 clips, from the inner side of the frame, to the right and left side frames as shown in figure 1A and 1B respectively. Slide them into position as shown in figure 1C, 1D, and 1E. Both sheared lugs of the clip must be inside the elongated hole of the side frame to lock the clip in place.

c. Install the 152832 shaft (with the 150683 collars and 6807 set screws) in place of the 150680 shaft.

d. Add the 125015 washer under the 151657 screw between the 150276 paper release lever and the right side frame.

* * *

RTTY ELECTRONICS
~~TELETYPE=Sales-Service-Parts~~
PO Box 20101 El Sobrante, Ca.
94820. (510)222-3102
mr_rtty@pacbell.net

Printed in U.S.A.

TOP OF FRAME

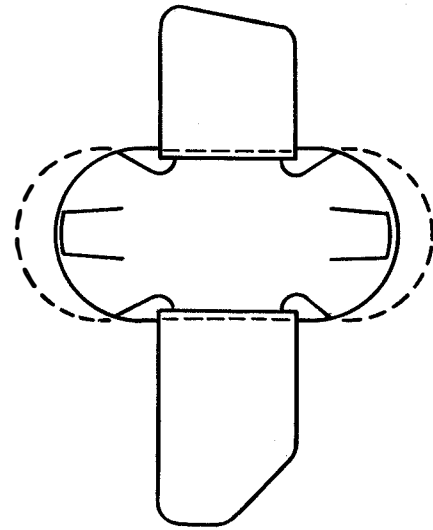


FIGURE A

TOP OF FRAME

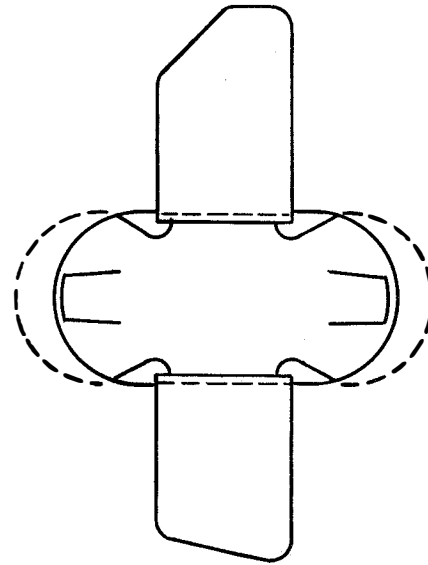


FIGURE B

FIGURE I

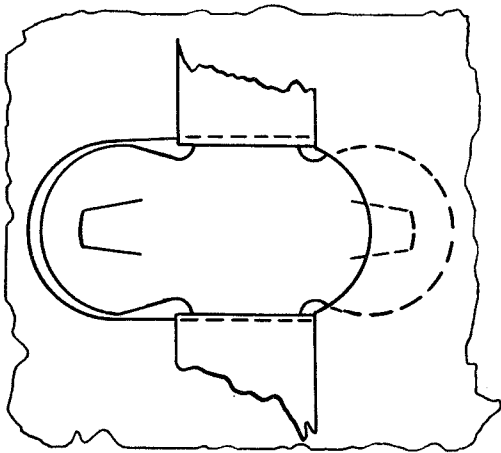
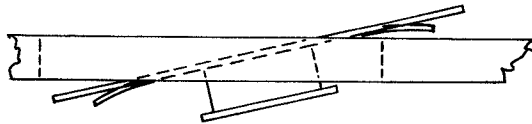


FIGURE C

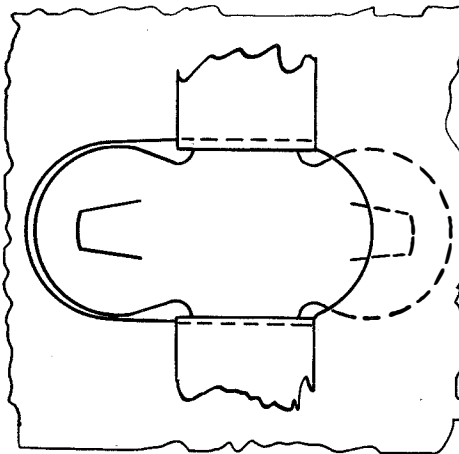


FIGURE D

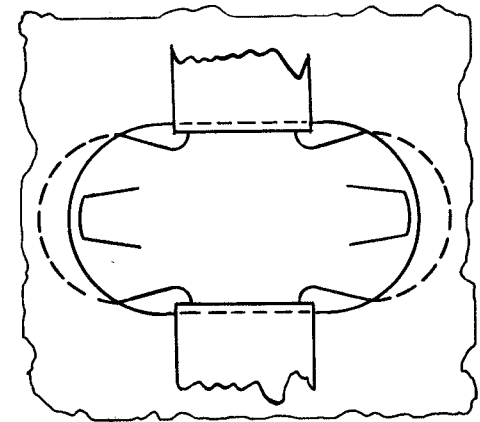
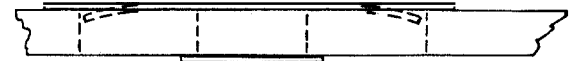


FIGURE E