

INSTRUCTIONS FOR INSTALLING THE 427240 9-1/2 INCH PULL-TYPE,
427250 9-1/2 INCH PUSH-TYPE AND 427293 15 INCH PULL-TYPE TRACTOR
ASSEMBLY WITH PAPER SEPARATOR AND THE 427260 9-1/2 INCH PIN FEED
PLATEN WITH SEPARATOR SHELF ONTO THE 5310 AND 5320 PRINTER

CONTENTS		PAGE
1. OVERVIEW		2
PARTS LISTING		4
2. INSTALLATION		5
TOOLS		5
INSTALLATION PROCEDURES		5
TESTING		14
3. ADJUSTMENTS		15
GENERAL		15
TOOLS		15
ADJUSTMENT PROCEDURES		15
4. SUPPLEMENT TO USER'S GUIDE		18

RTTY ELECTRONICS
TELETYPE=Sales-Service-Parts
PO Box 20101 El Sobrante, Ca.
94820. (510)222-3102
mr_rtty@pacbell.net

SPECIFICATION 52004S

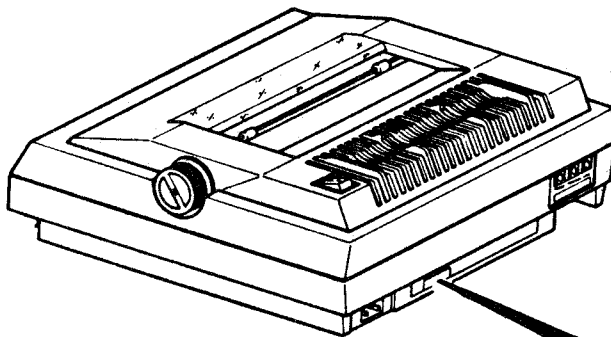
1. OVERVIEW

1.01 The 427240 9-1/2 inch (5310) and 427293 15 inch (5320) pull-type tractor with paper separator can be installed into the friction feed printer if 3 inch to 9-1/2 inch (5310) or 3 inch to 15 inch (5320) variable width sprocket feed paper handling capabilities are required. Sprocket feed paper can be fed from the rear or through a slot in the bottom of the printer. It is recommended that 5 and 6 ply paper use bottom feed only since routing multi-ply paper around the platen causes slippage between paper layers which may produce uneven line-to-line spacing. The paper separator is used to separate incoming paper from outgoing paper when feeding from the rear. The paper separator can remain in place when feeding from the bottom. An optional 427358 9-1/2 inch (5310) and 427359 15 inch (5320) static eliminator is available which snaps onto the paper separator.




Note: When ordering replaceable parts or components, unless otherwise specified, prefix each part number with the letters "TP" (ie, TP410055).

1.02 A 427250 9-1/2 inch (5310) push-type tractor mechanism can be installed into the friction feed printer if 3 inch to 9-1/2 inch variable width sprocket feed paper handling capabilities and last-form-tear-off feature are required. Paper can only be fed from the rear in this application. The push-type tractor is designed for last form access, and is not intended for prolonged unattended operation. Recommended paper thickness for the push-type tractor is up to 4-ply paper. An optional 427394 paper separator is available which can be used to separate the incoming paper from the outgoing paper. An optional 427425 static eliminator is available which attaches to the paper separator.




1.03 The printer model and code is located on the identification label, affixed to the rear of the printer next to the ac cable connector.



5320AAB

Model 5320	1.0 AMPS	TELETYPE CORPORATION		This equipment complies with the requirements in part 15 of FCC rules for a class-A emitting device. Operation of this equipment in a residential area may cause unacceptable interference to radio and TV reception, requiring the operator to take whatever steps are necessary to correct the interference.
Code 53 P 160 AAB	50/60 Hz	Makita, Tokyo, USA	 Listed Data Comm. Equip. 632A NFPA Type 11.	
Serial	120 VAC	 632A NFPA Type 11.		
				

5310AAA

Model 5310	1.0 AMPS	TELETYPE CORPORATION		This equipment complies with the requirements in part 15 of FCC rules for a class-A emitting device. Operation of this equipment in a residential area may cause unacceptable interference to radio and TV reception, requiring the operator to take whatever steps are necessary to correct the interference.
Code 53P 101 AAA	50/60 Hz	Makita, Tokyo, USA	 Listed Data Comm. Equip. 632A NFPA Type 11.	
Serial	120 VAC	 632A NFPA Type 11.		
				

1.04 The push tractor is fully compatible with the 5310AAB printer. The 5310AAA printer must have a new style paper-out lever and switch housing present before installing the push tractor. Information on how to identify the new style parts is covered in the INSTALLATION PROCEDURES section of this Specification. If new style parts are not present contact the nearest AT&T Teletype Corporation Product Service Center for updating:

Call toll free 800/323-4226

In Illinois 800/942-4192
In Canada, call 416/745-9474

1.05 A 427260 9-1/2 inch pin feed platen with paper separator can be installed into the friction feed printer if 9-1/2 inch wide sprocket feed paper handling is required. Paper can be fed from the bottom or rear in this application. The paper separator separates the incoming paper from the outgoing paper. Up to 4 ply paper can be used when feeding paper from the rear and up to 6 ply paper can be used when feeding paper from the bottom. It is recommended that 4 ply carbonless or other heavy weight paper be fed from the bottom to minimize separation between paper layers. An optional 427358 static eliminator is available which snaps onto the paper separator. Friction feed paper handling can also be used with the pin feed platen installed. The 420250 5 inch diameter roll paper holder modification kit may be used on printers with pin feed platen installed.

1.06 These printers are not equipped with paper accumulators. The customer has to provide a means to prevent the printed forms leaving the printer from accumulating on the form supply box or floor.

1.07 Maximum thickness of the 6 ply paper set is not to exceed 0.021 inches. The printhead is adjustable to optimize multicopy performance.

1.08 Instructions for installing the 420250 roll paper hold modification kit onto 5310 and 5320 printers is provided in Specification 52025S.

SPECIFICATION 52004S

PARTS LISTING

1.09 The 427240 9-1/2 inch pull-type tractor assembly consists of the following parts:

Quantity	Part Number	Description
1	427276	Paper Separator
1	427370	Tractor Assembly, Pull-Type
1	52004S	Specification

1.10 The 427250 9-1/2 inch push-type tractor assembly consists of the following parts:

Quantity	Part Number	Description
1	427380	Tractor Assembly, Push-Type
1	52004S	Specification

1.11 The 427293 15 inch pull-type tractor assembly consists of the following parts:

Quantity	Part Number	Description
1	427351	Paper Separator
1	427352	Tractor Assembly, Pull-Type
1	52004S	Specification

1.12 The 427260 9-1/2 inch pin feed platen assembly consists of the following parts:

Quantity	Part Number	Description
1	427278	Separator Shelf
1	427390	Pin Feed Platen
1	52004S	Specification

2. INSTALLATION

TOOLS

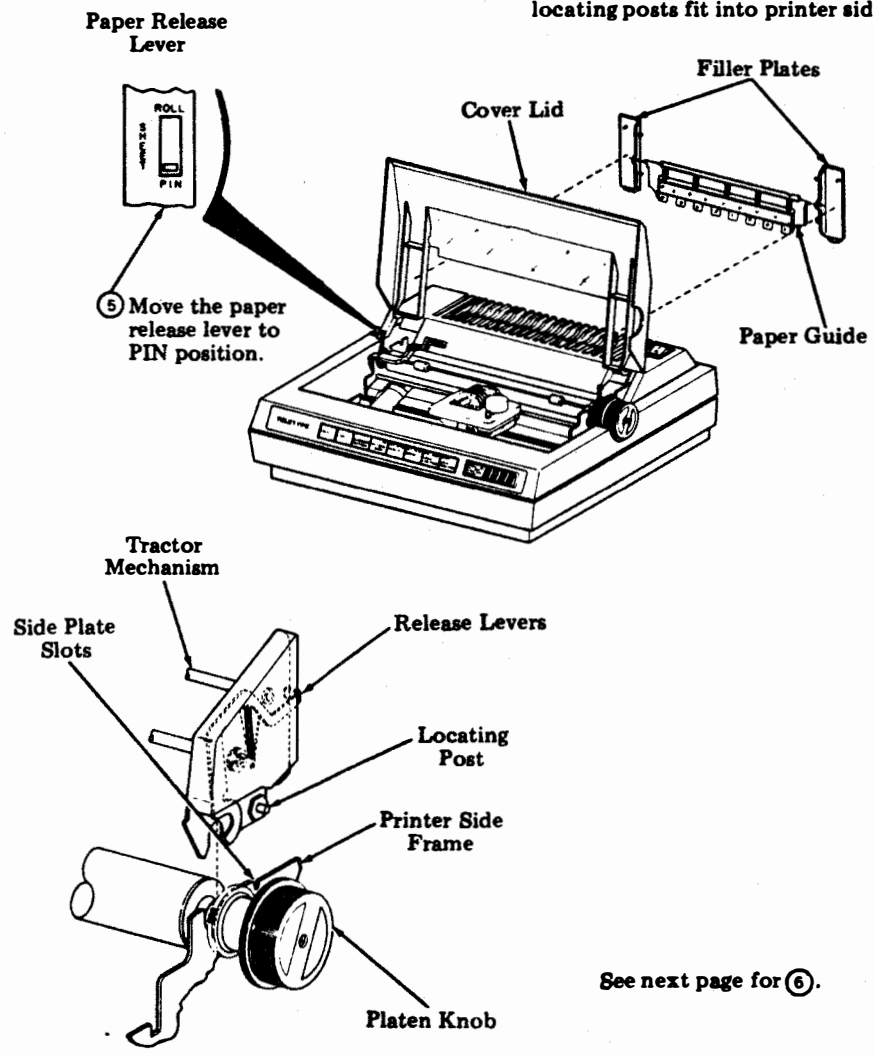
2.01 No tools are required to install the tractor assemblies or the pin feed platen assembly.

INSTALLATION PROCEDURES

2.02 To install pull-type tractor assembly:

Note: Optional tractor mechanism can only be installed on printers with friction feed platen.

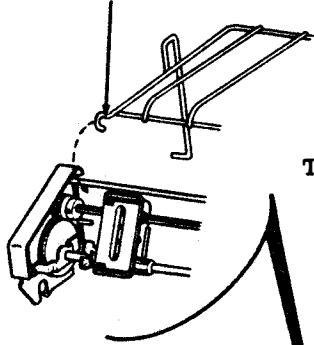
- ① Open cover lid.
- ② Push tabs of filler plates inward and remove filler plates and paper guide from cover lid. (Retain for future use.)
- ③ Pull up on left and right tractor release levers and place tractor mechanism into printer. Align tractor side plate slots over platen bearings and release the levers.
- ④ Rotate rear of tractor mechanism down until locating posts fit into printer side frame slots.



SPECIFICATION 52004S

Note: Perform Steps ⑧ and ⑨ if the optional static eliminator is to be used.

- ⑥ Hook front of paper separator over top rail of tractor mechanism (each side).



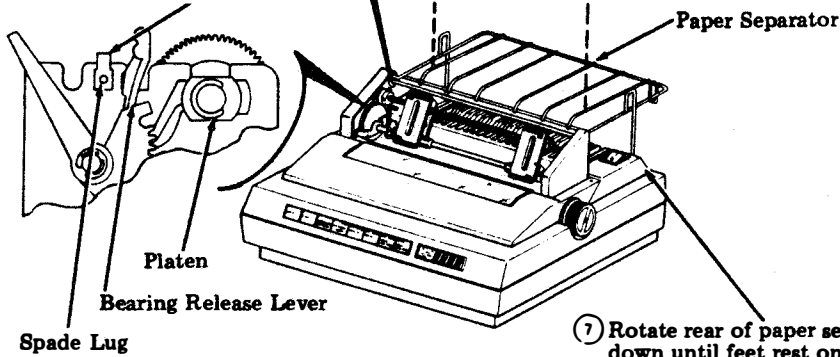
- ⑧ Install static eliminator. Position clips of static eliminator over second rail from edge and slide to right until clips snap into place.

Note: Static eliminator should be attached to paper separator in approximate position shown.

Spade Terminal

Static Eliminator (Optional)

- ⑨ Lift up cover and connect static eliminator spade terminal to spade lug located on left side frame behind bearing release lever.



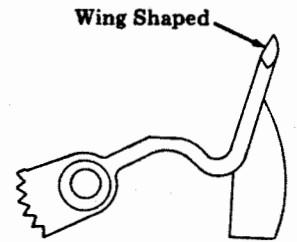
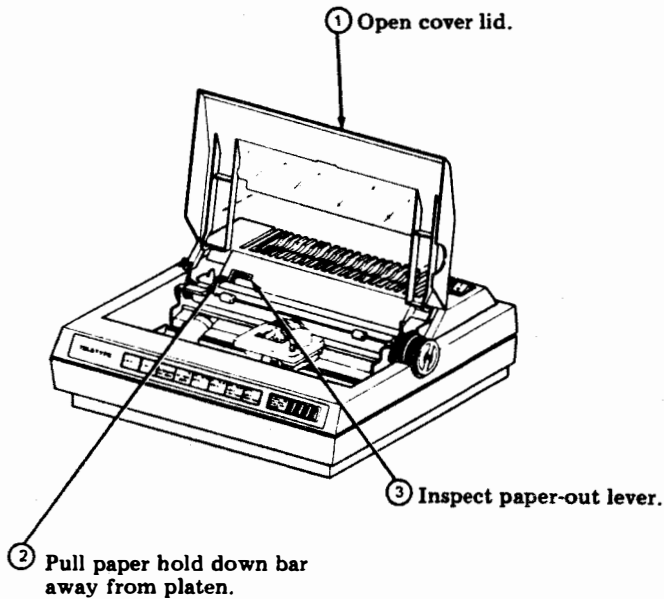
- ⑦ Rotate rear of paper separator down until feet rest on rear surface of cover.

(Left Side View)

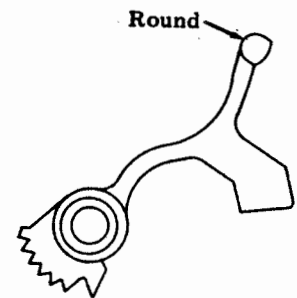
2.03 To install push-type tractor assembly:

Before starting installation of the push-type tractor on 5310AAA printers (refer to 1. OVERVIEW for location of the Printer Code Identification Label), verify the presence of a new style paper-out lever by performing Steps ① through ③.

If your printer is 5310AAB code, proceed to Step ⑤.



New Style Paper-Out Lever



Old Style Paper-Out Lever

④ If paper-out lever is new style, proceed to Step ⑤. If paper-out lever is old style, contact the nearest AT&T Teletype Corporation Product Service Center before installing push-type tractors.

Call toll free 800/323-4226

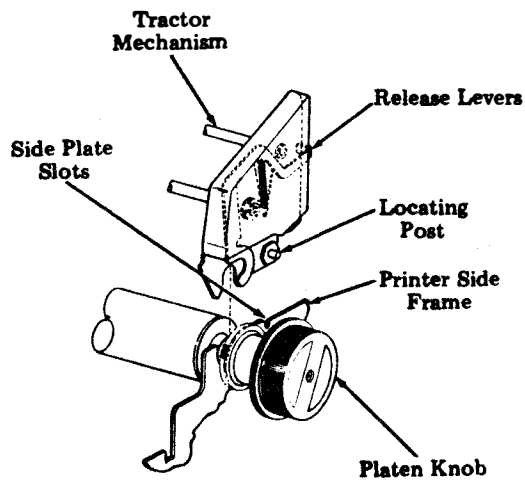
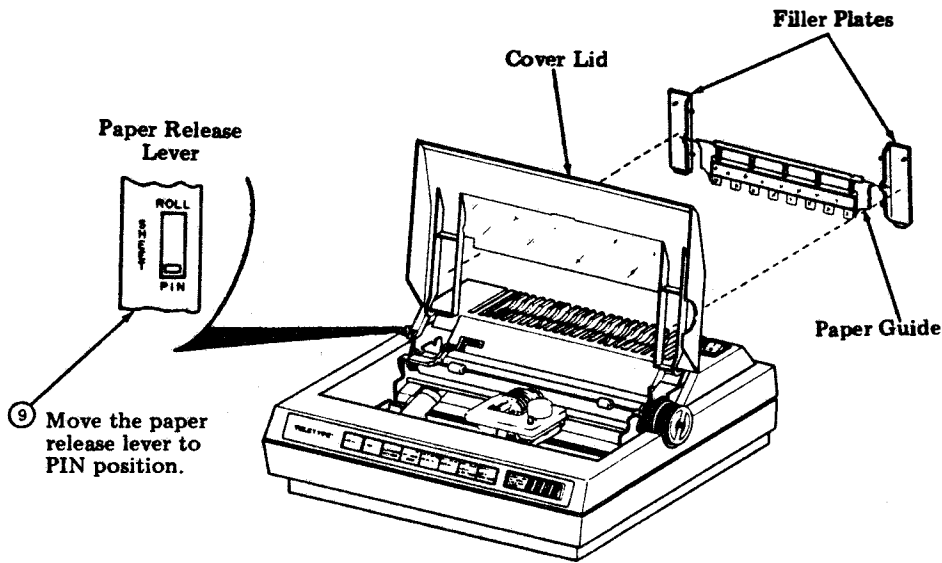
In Illinois 800/942-4192

In Canada, call 416/745-9474

SPECIFICATION 52004S

Note: Optional tractor mechanism can only be installed on printers with friction feed platen.

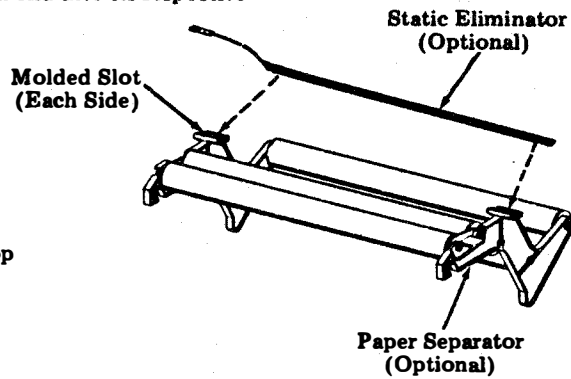
- ⑤ Open cover lid.
- ⑥ Push tabs of filler plates inward and remove filler plates and paper guide from cover lid. (Retain for future use.)
- ⑦ Pull up on left and right tractor release levers and place tractor mechanism into printer. Align tractor side plate slots over platen bearings and release the levers.
- ⑧ Rotate rear of tractor mechanism down until locating posts fit into printer side frame slots.



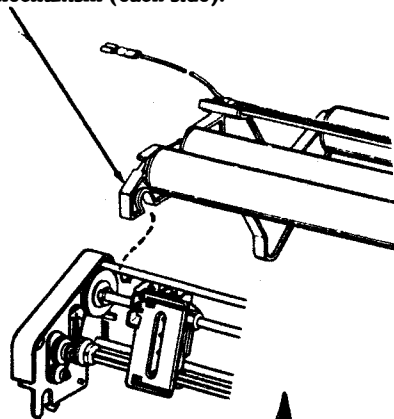
See next page for ⑩.

Note: Perform Steps ⑩ through ⑬ if the optional static eliminator or paper separator are to be used.

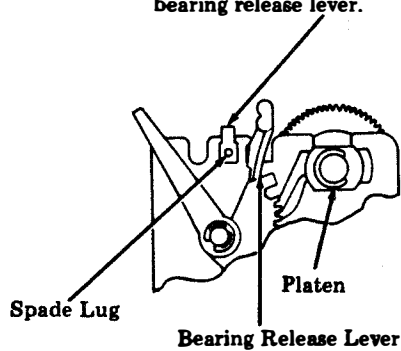
- ⑩ Slightly bow the static eliminator and insert each end into its respective molded slot on the paper separator assembly.



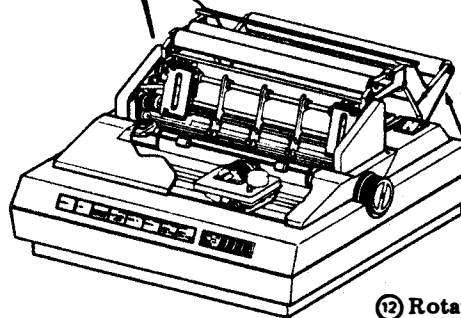
- ⑪ Hook front of paper separator over top rail of tractor mechanism (each side).



- ⑬ Lift cover and connect static eliminator spade terminal to spade lug located on left side frame behind bearing release lever.



Spade Terminal

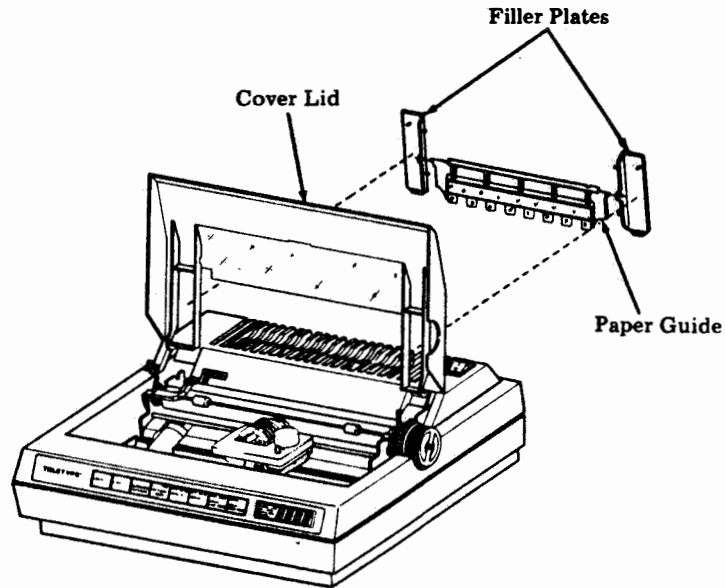


- ⑫ Rotate rear of paper separator down until feet rest on rear surface of cover.

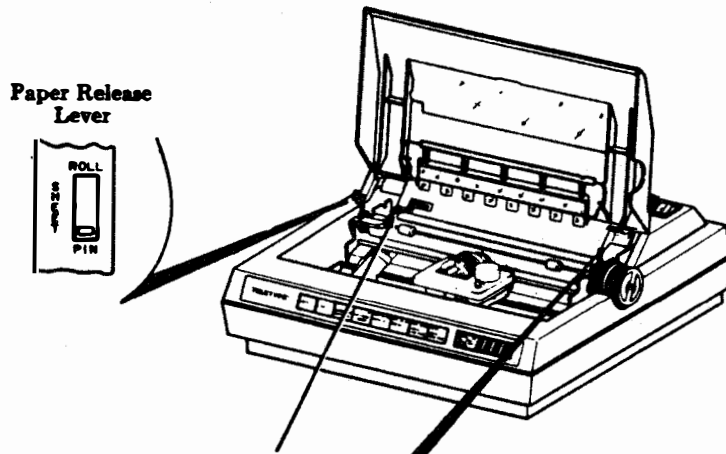
SPECIFICATION 52004S

2.04 To install pin feed platen assembly:

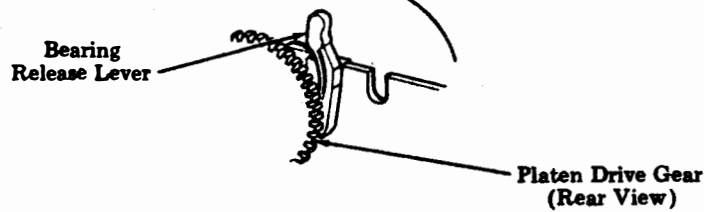
- ① Open cover lid.
- ② Push tabs of filler plates inward and remove filler plates and paper guide from cover lid.
- ③ Replace filler plates (retain paper guide for future use).



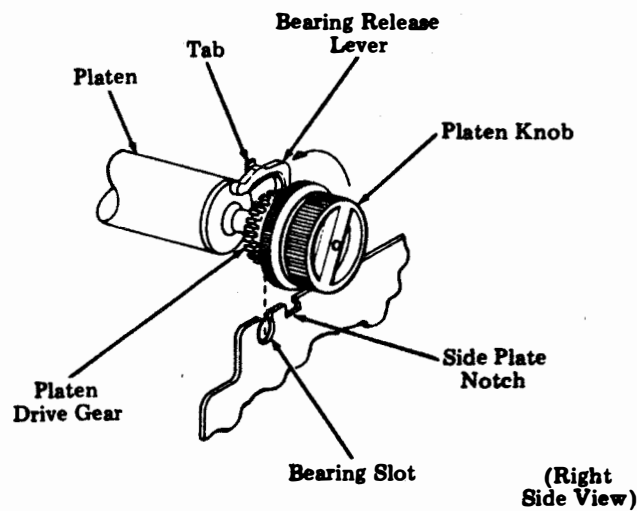
See next page for ④.



4 Pull paper hold down bar forward.



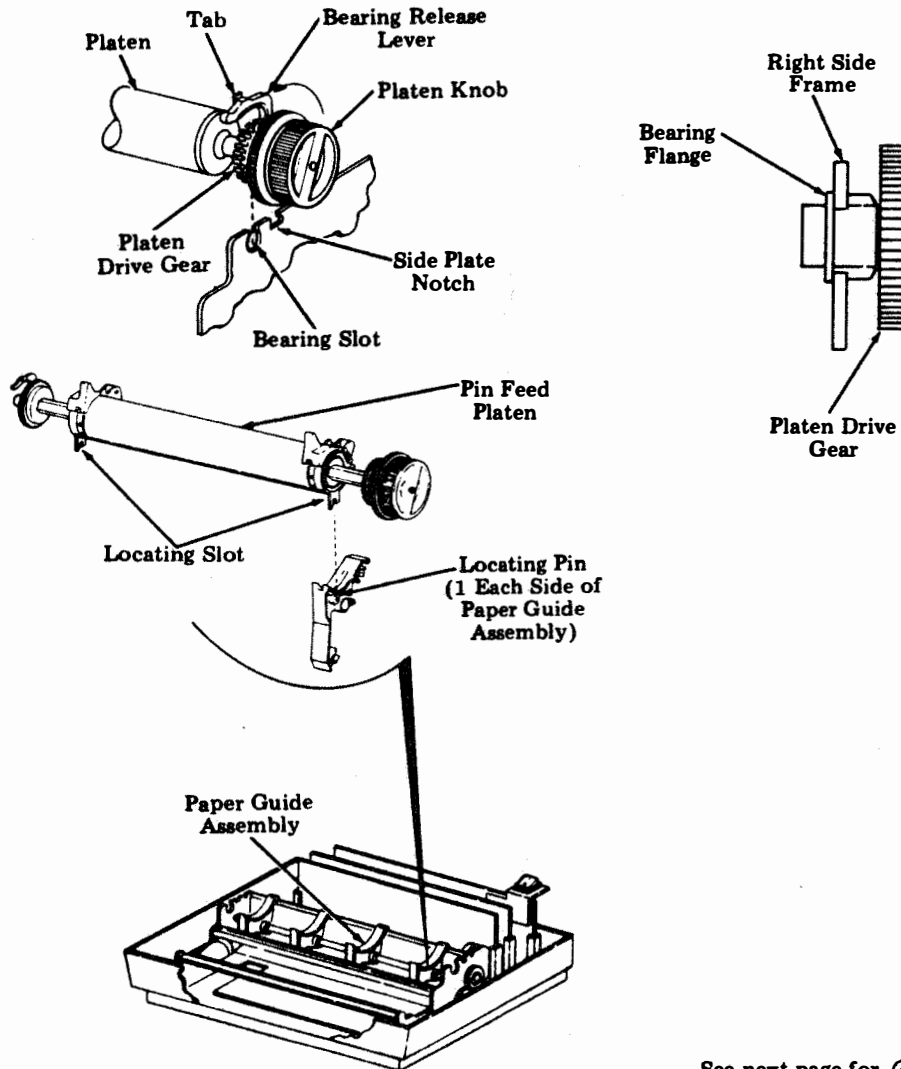
5 Place index finger on left and right bearing release levers. Push down and toward front of printer until tabs clear notches in side plates. Rotate bearing release levers forward until tab of lever is in up position as shown (each side). Lift out friction feed platen (retain for future use).



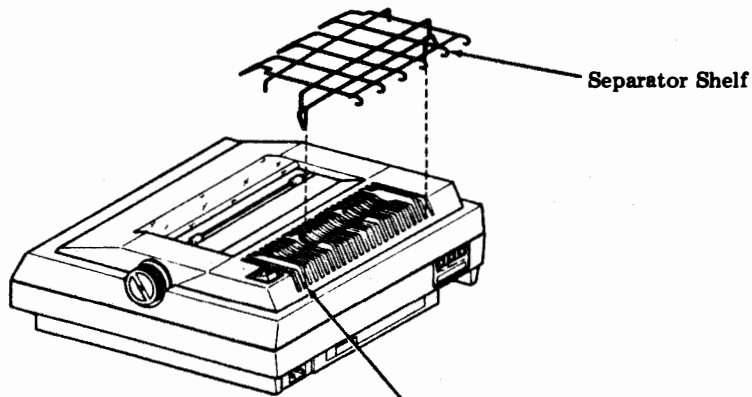
See next page for 6.

SPECIFICATION 52004S

- ⑥ Rotate platen bearing release lever tabs to up position on platen to be installed. Place platen into printer, locating platen bearings on each side into side frame bearing slots. Position platen so that bearing flanges are positioned against inside surface of side frame (each side).
- ⑦ Align locating slots on each side of platen with locating pins on each side of paper guide assembly.
- ⑧ Rotate platen knob until gears of platen drive gear and line feed motor drive gear mesh.
- ⑨ Rotate bearing release levers rearward and down until lever tabs lock into side plate notch.
- ⑩ Move the paper release lever to PIN position.

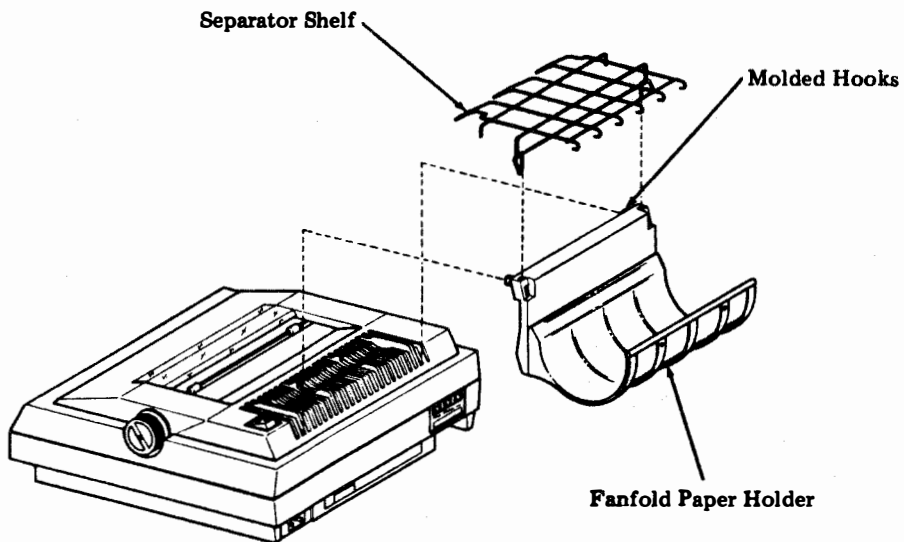


See next page for ⑪ .



⑪ Position separator shelf so that locating posts fit into molded pockets of top cover (second slot from edge — each side).

⑫ If fanfold paper holder is present, place locating posts of separator shelf into holes on top surface of paper holder.

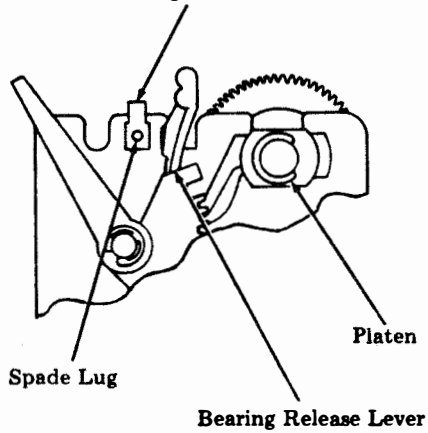


See next page for ⑬ .

SPECIFICATION 52004S

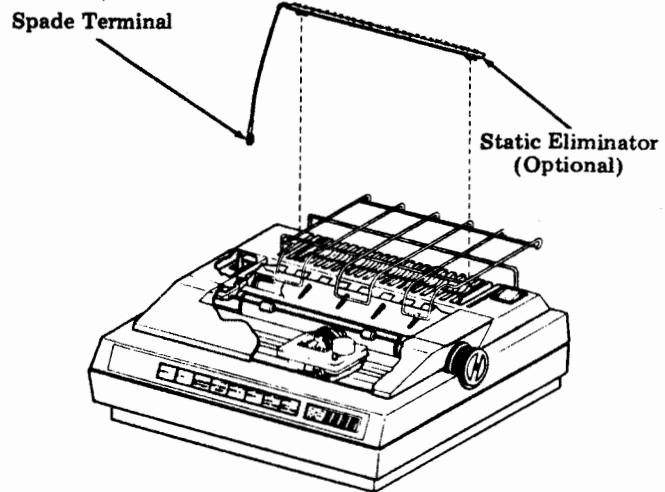
Note: Perform Steps ⑬ and ⑭ if optional static eliminator is to be used.

- ⑭ Lift cover lid and connect static eliminator spade terminal to spade lug located on left side frame behind bearing release lever.



(Left Side View)

- ⑬ Position clips of static eliminator over outside rails of paper separator shelf and slide to right until clips snap into place.



TESTING

2.05 After the tractor assembly or pin feed platen assembly is installed, paper should be placed into the printer and the "AUTO" self-test should be performed to verify proper operation of the assembly. Refer to the 5310 and 5320 User's Guide for paper installation and self-test procedures.

3. ADJUSTMENTS

GENERAL

3.01 The push and pull tractor assemblies are preadjusted at the factory. Adjustments should not be required after the tractor assemblies or pin feed platen assembly is installed. However, you may wish to review the following adjustments if printed copy refinements are desired.

TOOLS

3.02 A 3/8 inch wrench is required to perform the tractor assembly adjustments.

ADJUSTMENT PROCEDURES

3.03 Horizontal Line Adjustment (Push- and Pull-Type Tractor Mechanism)

Requirement

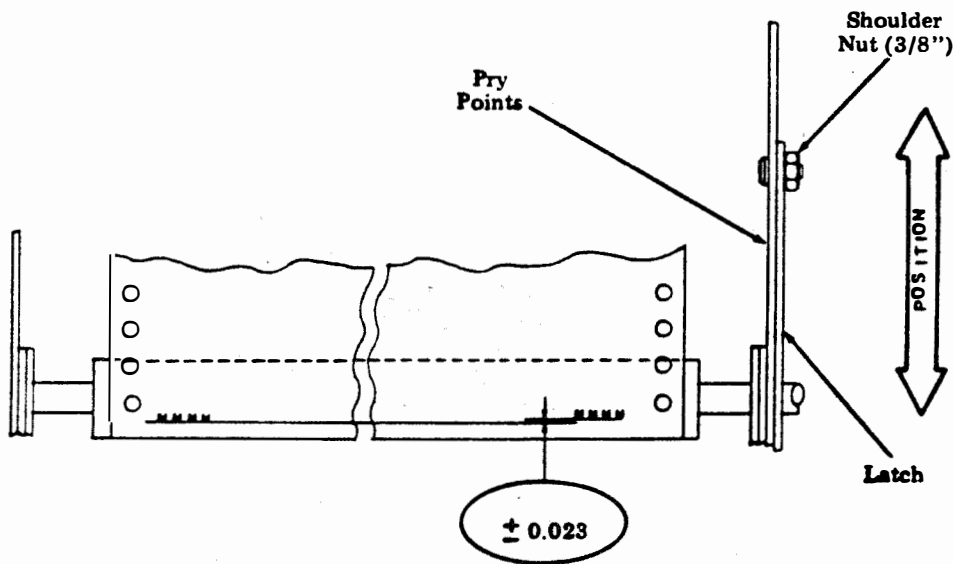
The printed line should not vary more than ± 0.023 from an arbitrary horizontal reference line (lined paper) when a line is drawn even with the bottom of the character. This requirement is for a 75 character line/10 characters per inch.

To Adjust

Remove the tractor right end cover, loosen the shoulder nut, and position the latch to meet the requirement. Retighten the shoulder nut and recheck the requirement.

Note: It is recommended that a single character, such as M, be repeated across the entire page for the above adjustment.

This adjustment to be refined when making the Tractor Idler Gear to Platen Gear Adjustment.



SPECIFICATION 52004S

3.04 Tractor Idler Gear to Platen Gear Adjustment (Push-Type Tractor Mechanism)

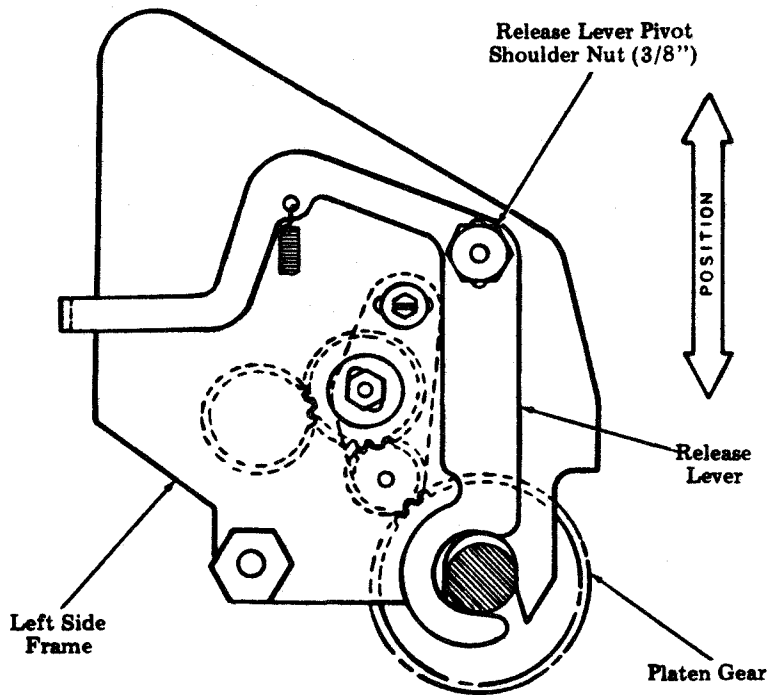
Requirement

With the tractor mechanism installed onto the print engine (latched on the platen bearings), there should be minimum backlash between the idler gear and platen gear.

To Adjust

Remove the end cover from the left tractor side plate, loosen the release lever pivot shoulder nut, and position the release lever to minimize the backlash. Retighten the shoulder nut and rotate the platen to insure the mechanism rotates fully and there is no binding. Remake the adjustment if necessary.

Note: This adjustment should be made after all other gear mesh adjustments are completed. Recheck the horizontal line adjustment after performing this adjustment.



(Left Side View)

3.05 Tractor Idler Gear to Platen Gear Adjustment (Pull-Type Tractor Mechanism)

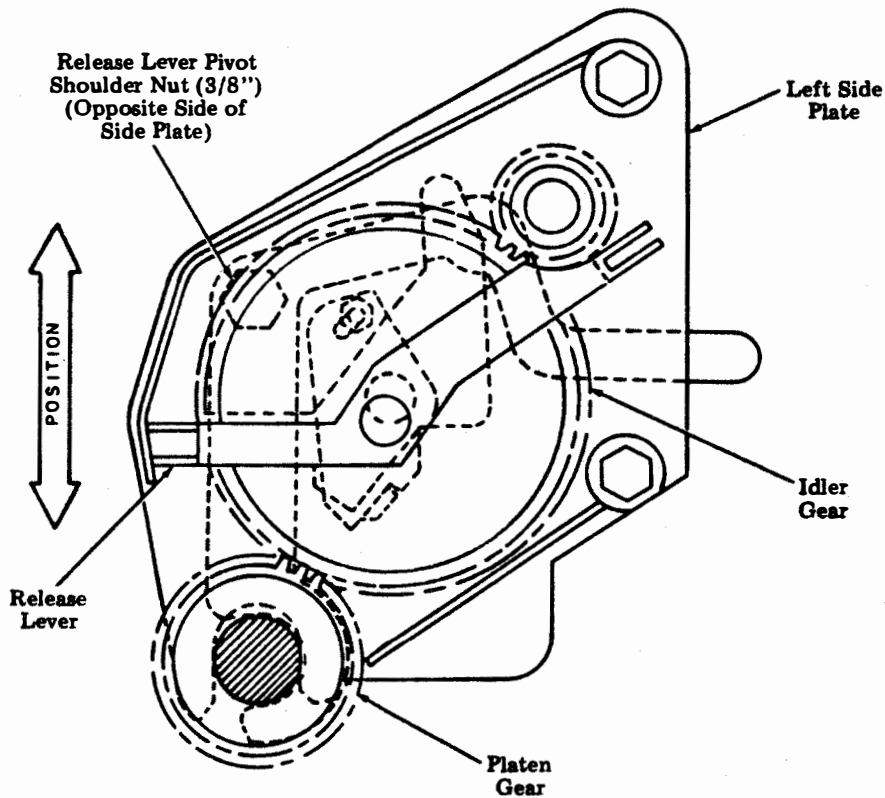
Requirement

With the tractor mechanism installed on the print engine (latched on the platen bearings), there should be minimum backlash between idler gear and the platen gear.

To Adjust

Remove the end cover from the left tractor side plate, loosen the release lever pivot shoulder nut, and position the release lever to minimize the backlash. Retighten the shoulder nut and rotate the platen to insure the mechanism rotates freely and there is no binding. Remake the adjustment if necessary.

Note: This adjustment should be made after the idler gear adjustment is completed.



(Right Side View)

SPECIFICATION 52004S

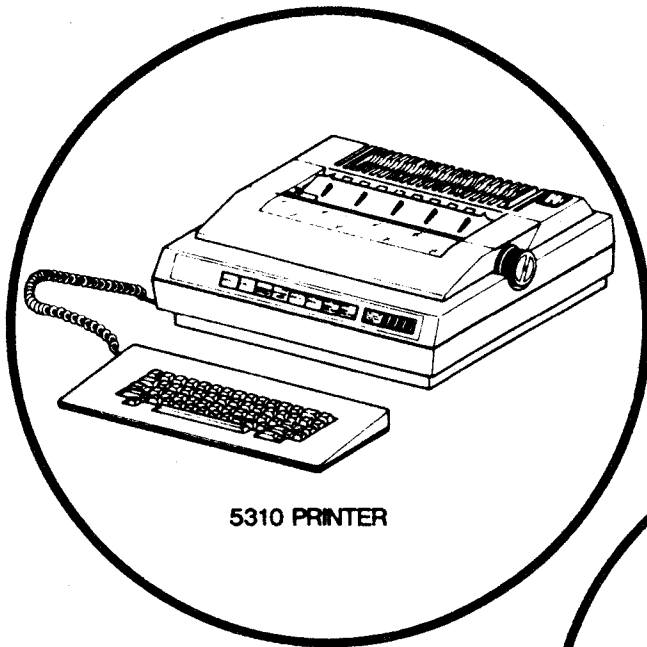
4. SUPPLEMENT TO USER'S GUIDE

- 4.01** The following pages should be detached from this specification and placed with Issue 1 or Issue 2 (as specified) of the User's Guide for the 5310 and 5320 printer.
- 4.02** The information in this supplement affects the information in Part 2, Section "15. Paper and Ribbon Installation" and Part 2, Section "18. Supplies."

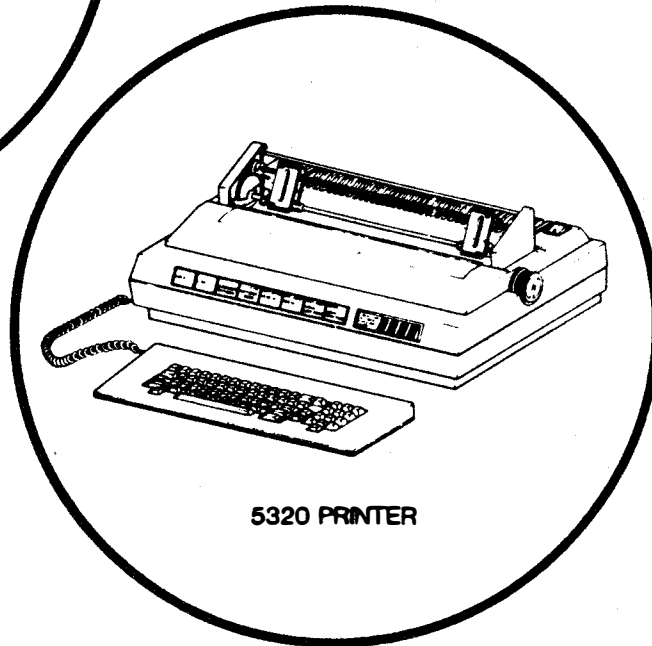


AT&T
Teletype Corporation

PART OF SPECIFICATION 52004S



5310 PRINTER



5320 PRINTER

the **5310** and **5320** **PRINTER**

PAPER HANDLING

Supplement To User's Guide

Introduction

Overview

This supplement provides additional information that affects the User's Guide for the 5310 and 5320 printers when any of the following paper handling accessories are installed.

TP427240	9-1/2" Pull Tractor
TP427250	9-1/2" Push Tractor
TP427293	15" Pull Tractor
TP427260	9-1/2" Pin Feed Platen

The updated affected pages, corresponding to the page numbers of the associated User's Guide are attached as part of this supplement as listed below:

These pages may be inserted into your User's Guide or may be kept together for future use with the pages marked in your User's Guide.

User's Guide, Issue 1:

The new replacement pages for Part 2, Pages 15-1 through 15-10, 18-1, 18-2 and Part 3, Page 2-15 in the User's Guide are:

Part 2, Page 15-1, 15-2, 15-2A, 15-3, 15-3A, 15-4, 15-5, 15-6, 15-6A, 15-6B, 15-8, 15-9, 15-10, 18-1, 18-2 and Part 3, Page 2-15.

These pages are also numbered 21 through 37 as part of Specification 52004S.

User's Guide, Issue 2:

The new replacement pages for Part 2, Section 15 and 18 in the User's Guide are:

Part 2, Page 15-1, 15-4, 15-5, 15-10, and 18-1.

These pages are also numbered 21, 24, 25, 30, and 34 as part of Specification 52004S.

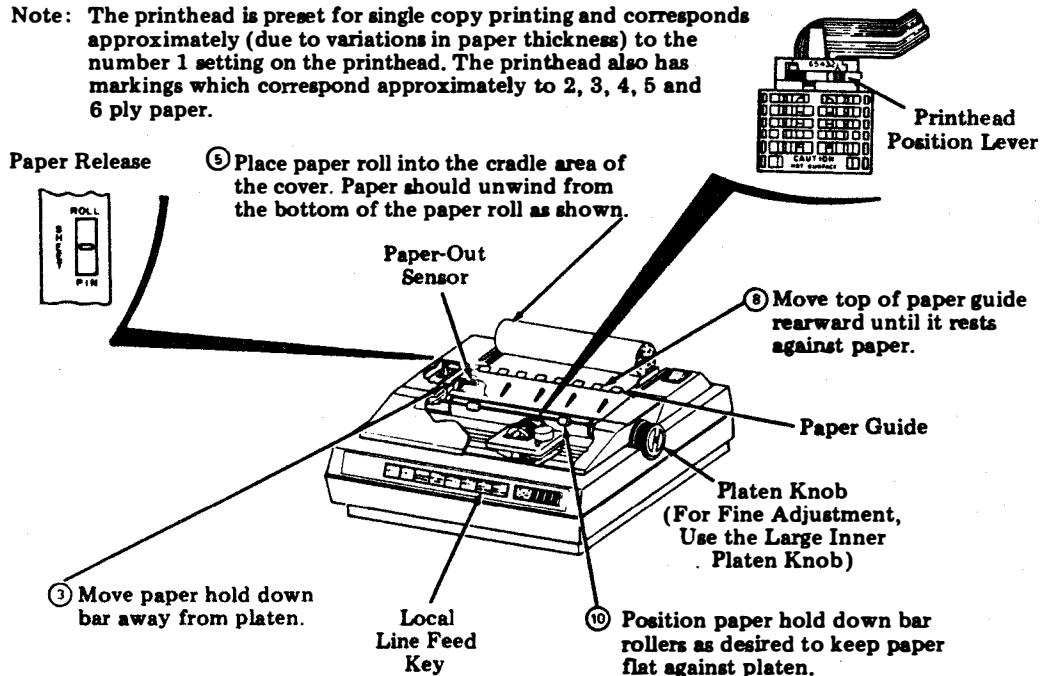
15. Paper and Ribbon Installation

To Install Paper (Friction Feed – Roll or Single Sheet)

- Install paper as shown after centering the printhead and removing the unused paper from the printer. It is not necessary to turn off power when replacing the paper; however, on-line calls will be disconnected when paper is removed from the printer if the Disconnect on Alarm (DALM) option value is YES. (See "14. Paper Alarms" Section.)

- ① To remove unused paper or to straighten paper, pull forward on the paper release.
- ② Move the paper release lever to ROLL position for roll paper and SHEET position for single sheet insertion.
- ④ Place printhead position lever to lowest value that provides best operation.

Note: The printhead is preset for single copy printing and corresponds approximately (due to variations in paper thickness) to the number 1 setting on the printhead. The printhead also has markings which correspond approximately to 2, 3, 4, 5 and 6 ply paper.



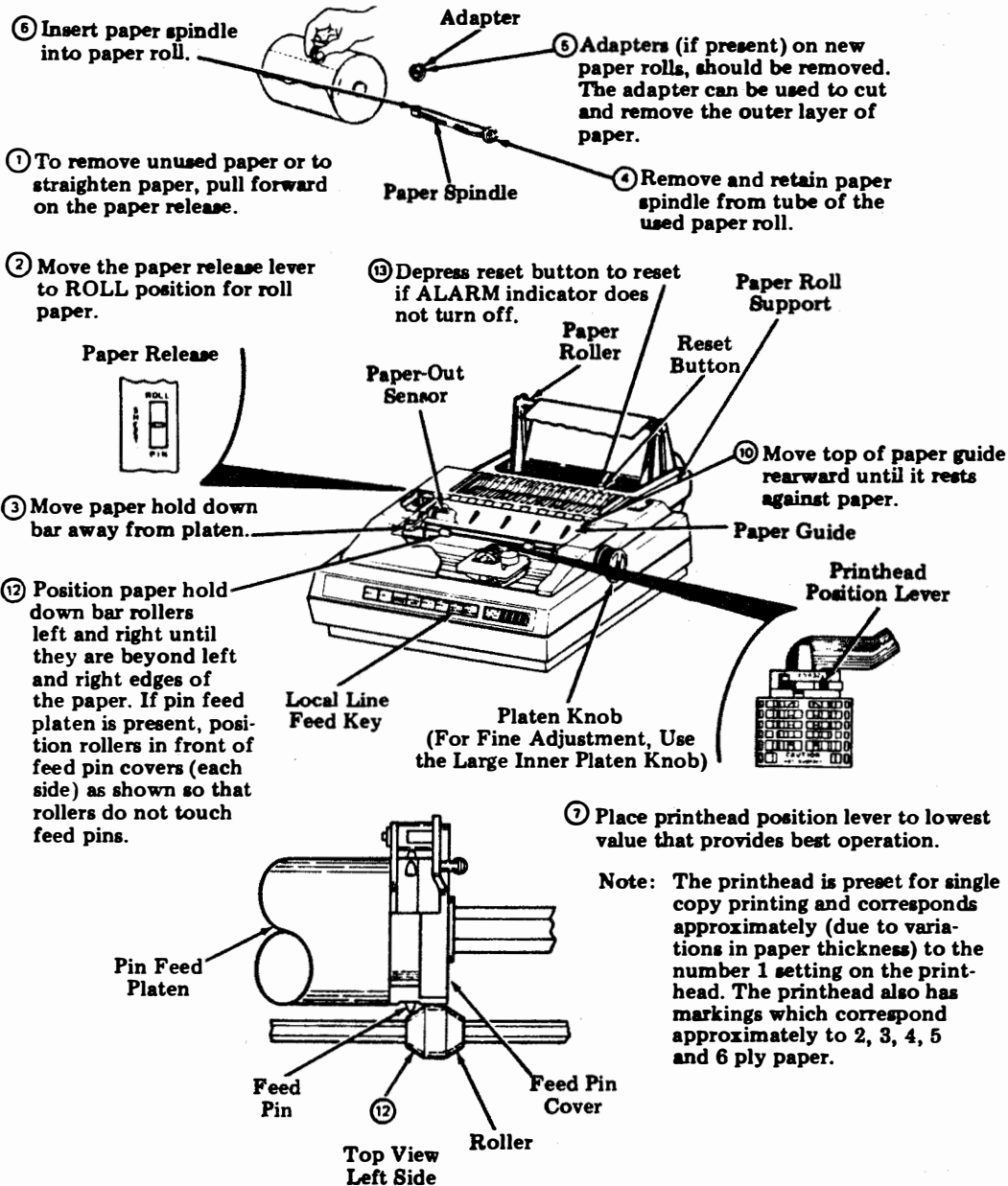
- ⑥ Move top of paper guide forward until it rests against stops, then route paper (roll or single sheet) under paper-out sensor and down behind platen. Continue pushing down until leading edge of paper engages the pressure rollers.
- Note: Paper-out sensor will lift up automatically if paper hold down bar is moved away from platen.
- ⑦ Advance paper using platen knob or LINE FEED key on control panel. Position paper under the paper hold down bar then push hold down bar against platen.
- ⑧ Hold top of paper against platen and compare with the portion that is entering behind the platen. If the edges do not align, move paper hold down bar away from paper, operate the paper release lever forward to the PIN position, align the edges of the paper and operate paper release lever back to ROLL for roll paper, or SHEET for single sheet, then move the paper hold down bar against the paper.

Depress the LINE key to turn off the "PAPR" alarm on the 4-character display.

Caution: Excessive printhead to platen gap and operating printer without paper installed will shorten printhead life.

To Install Paper (Friction Feed – Roll With Paper Roll Support)

- Install paper as shown after centering the printhead and removing the unused paper from the printer. It is not necessary to turn off power when replacing the paper; however, on-line calls will be disconnected when paper is removed from the printer if the Disconnect on Alarm (DALM) option value is YES. (See "14. Paper Alarms" Section.)



Caution: Excessive printhead to platen gap and operating printer without paper installed will shorten printhead life.

See next page for ⑧, ⑨, ⑪ and ⑬.

- ⑧ Move top of paper guide forward until it rests against stops, then route paper under paper-out sensor and down behind platen. Continue pushing down until leading edge of paper engages the pressure rollers.

Note: Paper-out sensor will lift up automatically if paper hold down bar is moved away from platen.

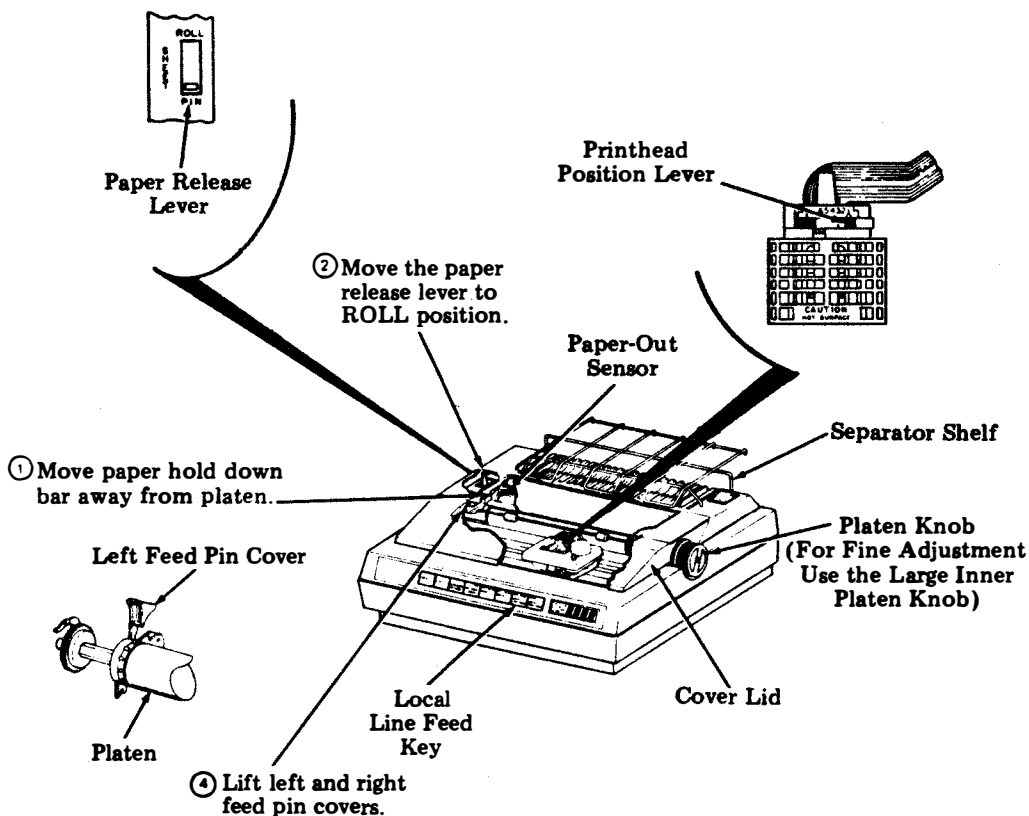
- ⑨ Advance paper using platen knob or LINE FEED key on control panel. Position paper under the paper hold down bar then push hold down bar against platen.
- ⑩ Hold top of paper against platen and compare with the portion that is entering behind the platen. If the edges do not align, move paper hold down bar away from paper, operate the paper release lever forward to the PIN position, align the edges of the paper, and operate paper release lever back to ROLL, then move the paper hold down bar against the paper.
- ⑭ Depress the LINE key to turn off the "PAPR" alarm on the 4-character display.

To Install Paper (Pin Feed)

- Install paper as shown after centering the printhead and removing the unused paper from the printer. It is not necessary to turn off power when replacing the paper; however, on-line calls will be disconnected when paper is removed from the printer if the Disconnect on Alarm (DALM) option value is YES. (See "14. Paper Alarms" Section.)

③ Place printhead position lever to lowest value that provides best operation.

Note: The printhead is preset for single copy printing and corresponds approximately (due to variations in paper thickness) to the number 1 setting on the printhead. The printhead also has markings which correspond approximately to 2, 3, 4, 5 and 6 ply paper.



Note 1: Up to 4 ply paper can be used when feeding paper from the rear and up to 6 ply paper can be used when feeding paper from the bottom. It is recommended that 4 ply carbonless or other heavy weight paper be fed from the bottom to minimize separation between paper layers.

Note 2: For last form tear off, the bottom of the first printed line should be approximately 1-5/8 inches or greater from the top edge of the form for bursting forms. This will allow the form to clear the feed pin covers.

Note 3: When bursting forms, care should be taken that paper in the printer is not disturbed; otherwise, line alignment will not be maintained.

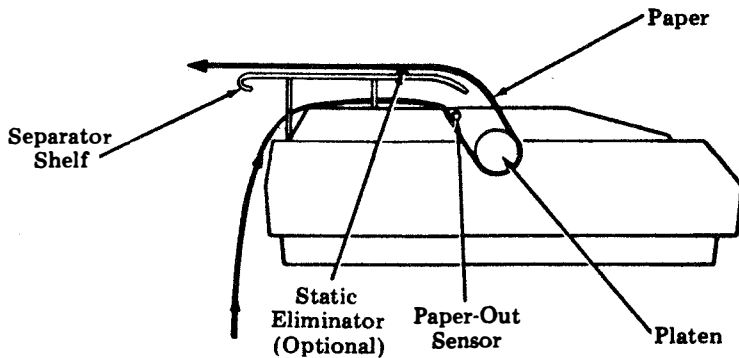
Caution: Excessive printhead to platen gap and operating printer without paper installed will shorten printhead life.

See next page for ⑤.

- ⑥ If installing paper from the rear, perform steps ⑥, ⑦, ⑧, ⑩ and ⑪.

If installing paper from the bottom, perform steps ⑨, ⑩, and ⑪.

Feeding Paper From Rear

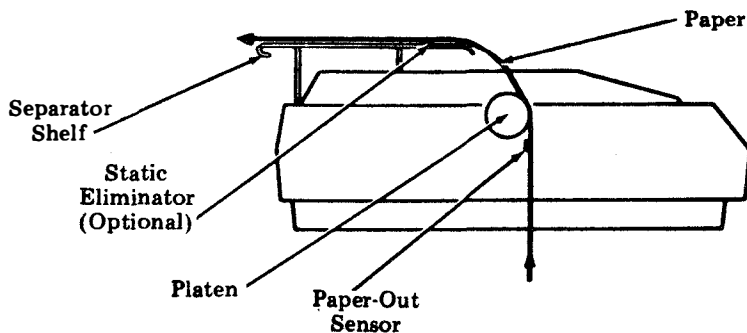


- ⑥ Fold back first sheet, if desired, and line up sprocket holes on leading edge of both sides of paper. Route paper on top of bottom separator shelf rail and under paper-out sensor and down behind rear of platen.

Note: Paper-out sensor will lift up automatically if paper hold down bar is moved away from platen.

- ⑦ Advance paper until it touches cover lid. Push paper from rear or use platen knob. Move the paper hold down bar against the paper.
- ⑧ Advance paper using platen knob until it clears cover lid and is positioned over feed pins. Move the paper release lever to PIN position. Align paper feed holes over feed pins, then close left and right feed pin covers.

Feeding Paper From Bottom



- ⑨ Move the paper release lever to PIN position. Route paper up through slot in bottom of cabinet. Advance paper until it clears cover lid and is positioned over feed pins. Align paper feed holes over feed pins, then close left and right feed pin covers. Move the paper hold down bar against the paper.
- ⑩ Position paper hold down bar rollers as desired to keep paper flat against platen.
- ⑪ Depress the LINE key to turn off the "PAPR" alarm on the 4-character display.

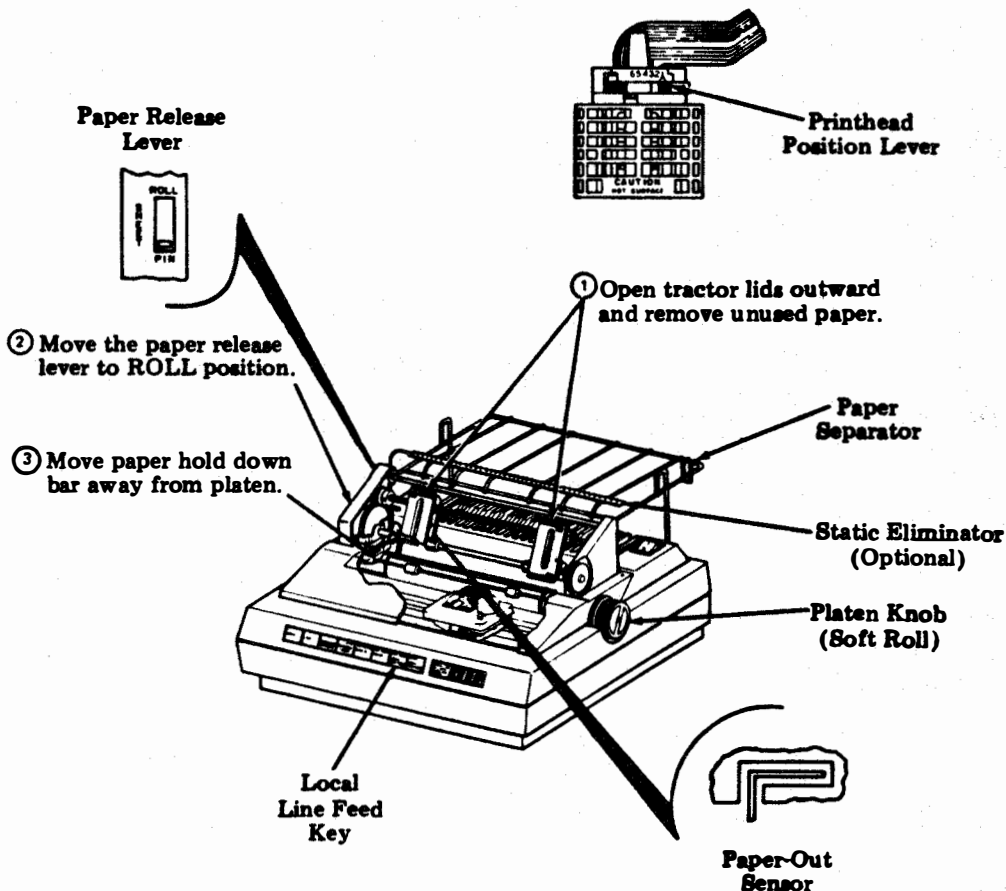
Note: It is recommended that the paper separator shelf always be used in order to prevent paper which is leaving the printer from reentering the platen area.

To Install Paper (Tractor Feed – Pull Type, Continuous Forms)

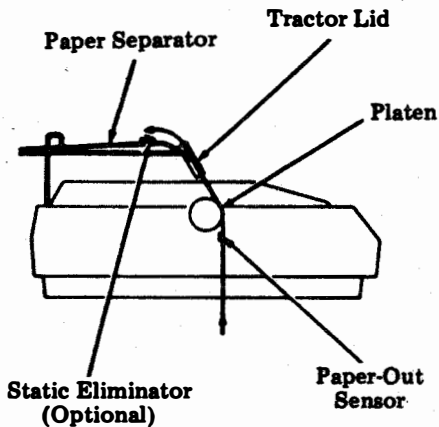
- Install paper as shown after centering the printhead and removing the unused paper from the printer. It is not necessary to turn off power when replacing the paper; however, on-line calls will be disconnected when paper is removed from the printer if the Disconnect on Alarm (DALM) option value is YES. See "To Install Paper (Tractor Feed – Pull and Push Type, Continuous Forms)" in this section, if tractor or paper must be repositioned. (See "14. Paper Alarms" Section.)
- It is recommended that 5 and 6 ply paper use bottom feed only since routing multi-ply paper around the platen causes slippage between paper layers which may produce uneven line-to-line spacing.

- ④ Place printhead position lever to lowest value that provides best operation.

Note: The printhead is preset for single copy printing and corresponds approximately (due to variations in paper thickness) to the number 1 setting on the printhead. The printhead also has markings which correspond approximately to 2, 3, 4, 5 and 6 ply paper.



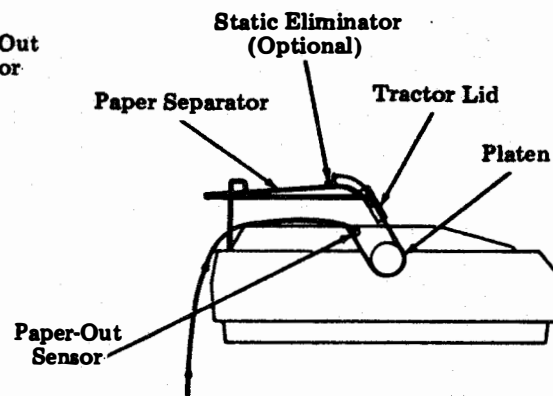
Caution: Excessive printhead to platen gap and operating printer without paper installed will shorten printhead life.



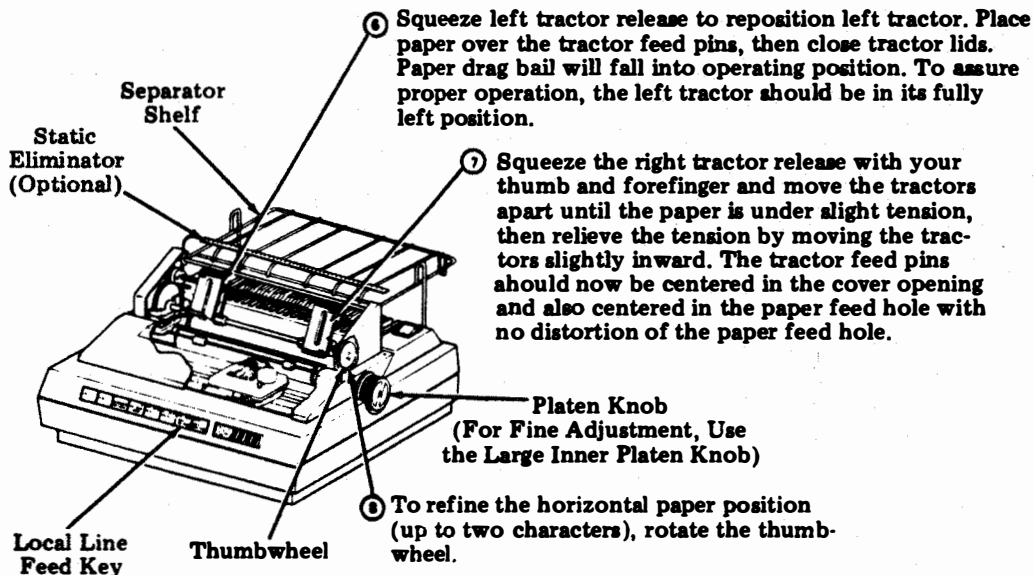
Paper path from bottom.

- ⑤ Remove paper separator and route paper over aluminum hex rod, under paper-out sensor and down behind rear of platen, or up through slot in the bottom of the cabinet. Feed paper until leading edge passes rollers on paper hold down bar. Push paper hold down bar toward platen.

Note: Paper-out sensor will lift up automatically if paper hold down bar is moved away from platen.



Paper path from rear.



- ⑨ Replace paper separator and advance paper. To advance paper, use LINE FEED key or rotate platen knob.

- ⑩ Depress the LINE key to turn off the "PAPR" alarm on the 4-character display.

Note: It is recommended that the paper separators furnished with the tractor mechanism always be used in order to prevent paper which is leaving the printer from reentering the platen area.

To Install Paper (Tractor Feed – Push Type, Continuous Forms)

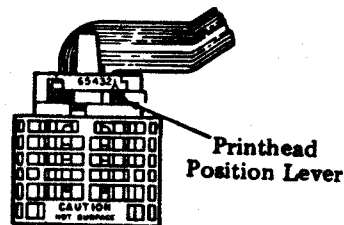
- Install paper as shown after centering the printhead and removing the unused paper from the printer. It is not necessary to turn off power when replacing the paper; however, on-line calls will be disconnected when paper is removed from the printer if the Disconnect on Alarm (DALM) option value is YES. See "To Install Paper (Tractor Feed – Pull and Push Type, Continuous Forms)" if tractors or paper must be repositioned. (See "14. Paper Alarms" Section.)

Note 1: The push type tractor is designed for last form access, and is not intended for prolonged unattended operation. Recommended paper thickness for push type tractors is up to 4-ply paper.

Note 2: For last form tear off, the bottom of the first printed line should be approximately 3/4 inches from the top edge of the form for bursting forms, or approximately 1.2 inches from the top edge of the form for utilizing the window cutting edge. When tearing or bursting forms, care should be taken that paper in the printer is not disturbed; otherwise, line alignment will not be maintained.

- ④ Place printhead position lever to lowest value that provides best operation.

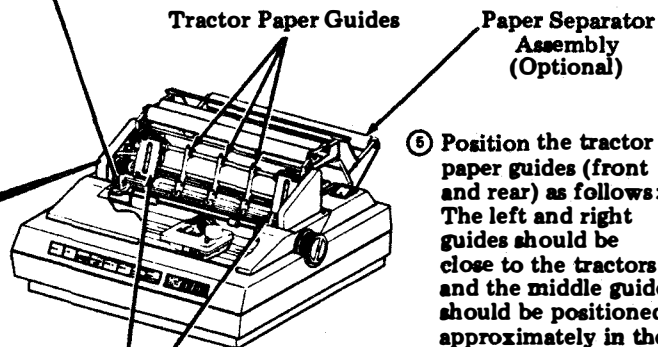
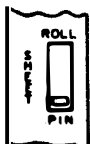
Note: The printhead is preset for single copy printing and corresponds approximately (due to variations in paper thickness) to the number 1 setting on the printhead. The printhead also has markings which correspond approximately to 2, 3, 4, 5 and 6 ply paper.



- ③ Move paper hold down bar away from platen.

- ② Move the paper release lever to PIN position.

Paper Release



- ⑥ Position the tractor paper guides (front and rear) as follows: The left and right guides should be close to the tractors and the middle guides should be positioned approximately in the middle of the paper.

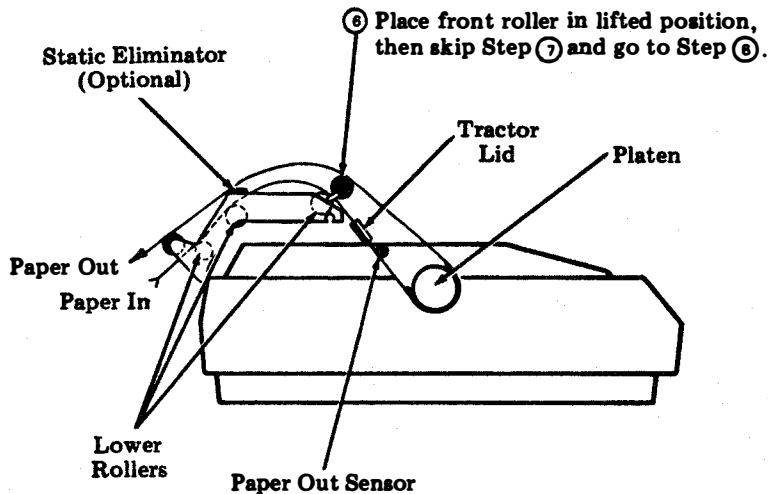
- ① Open tractor lids outward and remove unused paper.

Caution: Excessive printhead to platen gap and operating printer without paper installed will shorten printhead life.

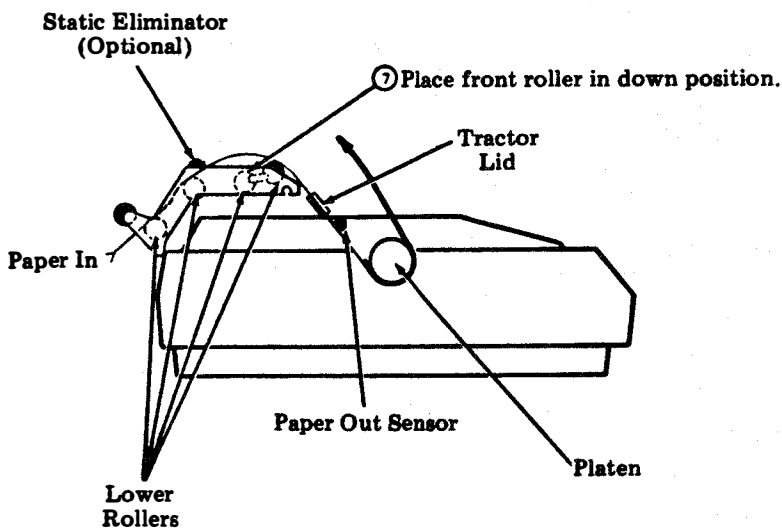
See next page for ⑤.

Note: Perform the steps on this page if the optional paper separator is present. If the optional paper separator is not present, go to Step ⑥ on the next page.

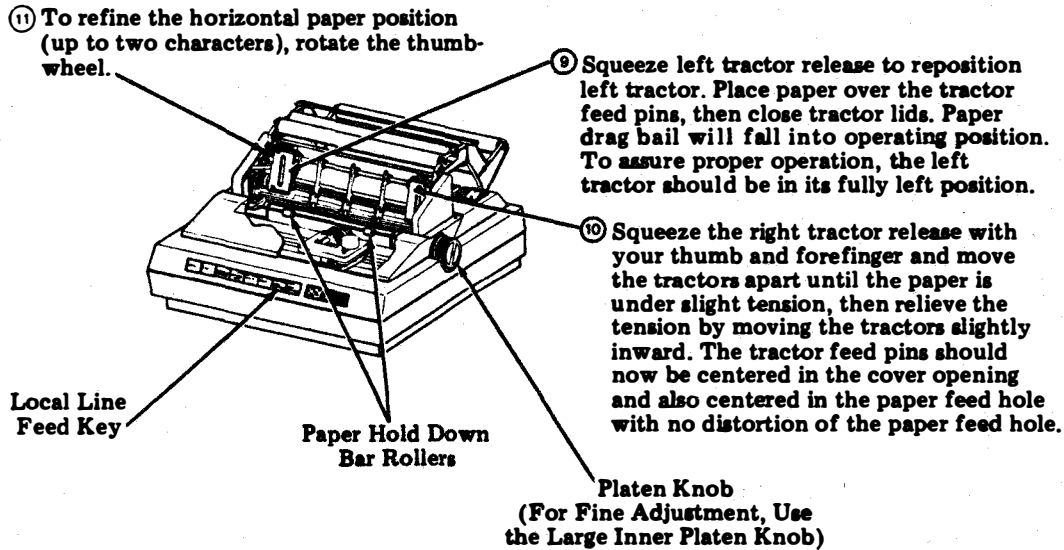
- If forms are to be accumulated, perform Step ⑥ .
- If forms are to be removed immediately after being printed, skip Step ⑥ and go to Step ⑦ .



⑧ Install the paper as shown:
Route the incoming paper over the lower rollers and under the static eliminator.



See next page for ⑨ .



- ⑪ To refine the horizontal paper position (up to two characters), rotate the thumb-wheel.
- ⑨ Squeeze left tractor release to reposition left tractor. Place paper over the tractor feed pins, then close tractor lids. Paper drag bail will fall into operating position. To assure proper operation, the left tractor should be in its fully left position.
- ⑩ Squeeze the right tractor release with your thumb and forefinger and move the tractors apart until the paper is under slight tension, then relieve the tension by moving the tractors slightly inward. The tractor feed pins should now be centered in the cover opening and also centered in the paper feed hole with no distortion of the paper feed hole.

- ⑫ Rotate platen knob to advance paper under paper-out sensor, between front and rear paper guides and behind rear of platen. Continue rotating platen knob until paper advances in front of platen and under paper hold down bar. Push paper hold down bar toward platen and advance paper until it extends beyond the window.
- ⑬ For single and 2 ply paper, position the rollers on the paper hold down bar over the feed holes (approximately 1/4 inch from each edge of the paper). For 3 ply and 4 ply paper, position the rollers approximately 2 inches from the edge of the paper. For paper widths less than 9-1/2 inches, the rollers should be approximately 1/3 the paper width from the edge of the paper.
- ⑭ To advance paper, use the LINE FEED key or rotate platen knob.
- ⑮ Depress the LINE key to turn off the "PAPR" alarm on the four-character display.

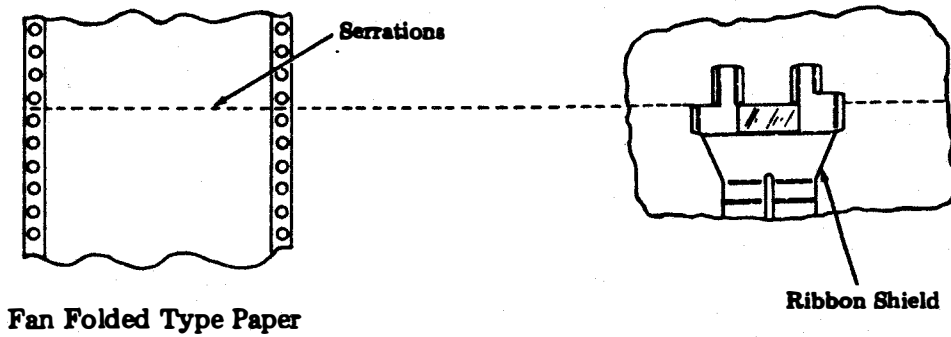
Note: If difficulty in feeding paper occurs, any or all of the following actions should alleviate the problem:

- a. Verify that the paper has been installed correctly. Refer to Specification 52004S or User's Guide, Manual 613 (Issue 2).
- b. Single-ply, position rollers on paper hold down bar toward sides of paper. For paper widths less than 9-1/2 inches, it may be desired to move both rollers to right side of platen, off paper.
- c. Multi-ply, move rollers on paper hold down bar toward middle of paper.
- d. Use optional paper racks, paper separator assembly and/or static eliminator, as appropriate.
- e. Change type of paper or paper supplier. Generally, heavier single-ply paper and lighter multi-ply papers are easier to feed.

Printed Line Alignment

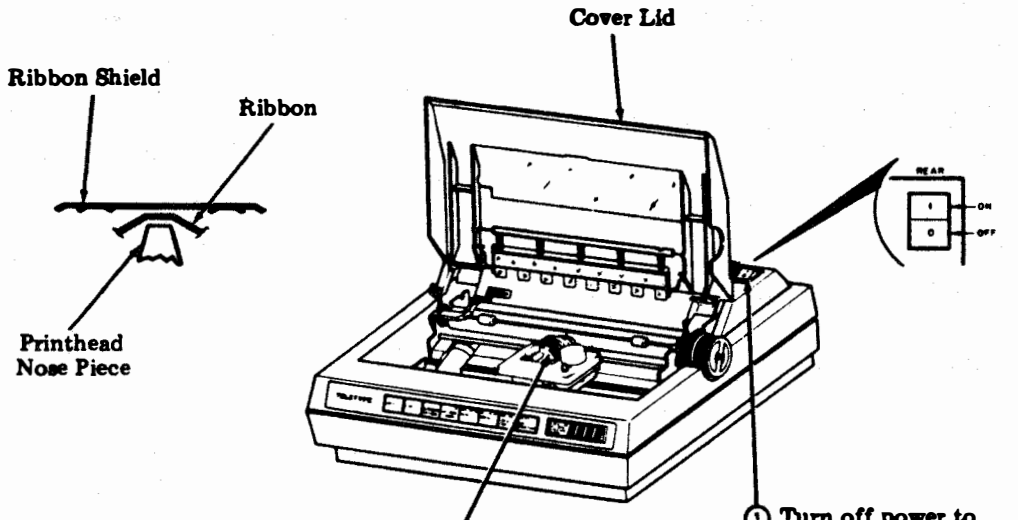
The top edge of the left projection on the ribbon shield is used to prevent characters from being printed on serrations of fan folded type paper.

- To position the paper or form vertically, align the serrations with the top edge of the left projection.
- Rotate platen knob. For fine adjustment, rotate the large platen knob.



To Install Ribbon Cartridge

- ② Open cover lid and move carriage to a position where no roller is located on the paper hold down bar.



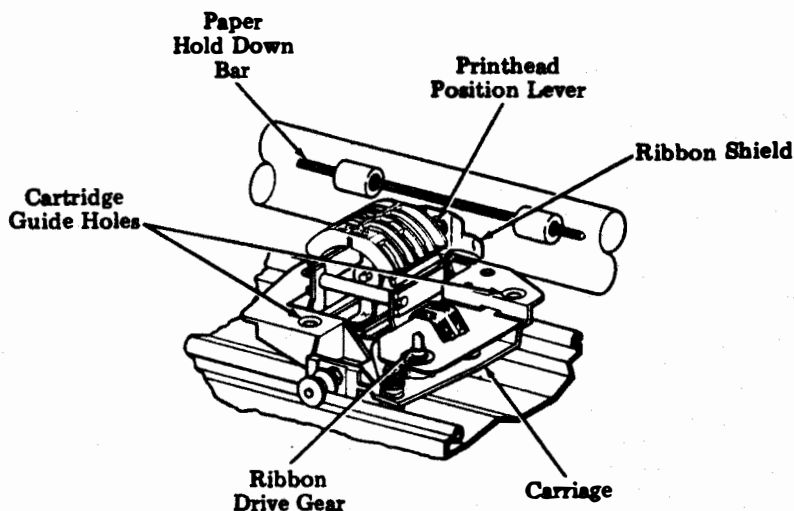
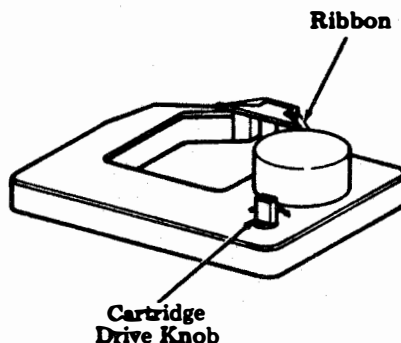
- ④ Remove and discard cartridge with used ribbon by grasping and lifting the cartridge.

- ① Turn off power to printer by depressing front half of ON/OFF switch.

- ③ Grasp printhead heat shield and pull printhead away from platen while gently pushing down on nose piece end of heat shield until locating hole below nose piece clears locating pin on carriage and printhead locks into position away from platen.

Caution: The heat sink and printhead nose piece may be hot.

- ⑤ Turn the cartridge drive knob clockwise to tension the ribbon. Holding the cartridge, carefully insert the ribbon end over the printhead and place cartridge on the carriage. Insert front of cartridge into position first and verify ribbon is between ribbon shield and printhead nose piece.



- ⑥ Align the three guide projections at the cartridge bottom with the cartridge guide holes and press down firmly on the cartridge until it locks into position. Slowly move carriage several inches left and right to insure ribbon movement.

- ⑦ Grasp printhead heat sink cover and gently pull away from platen while pulling up on nose piece end of heat sink until printhead locating hole below nose piece aligns with locating pin on carriage. Slowly release printhead allowing bail assembly to move printhead into locked position. Slowly move carriage again to check for ribbon movement.

Warning: Always turn off power to printer before replacing ribbon. Moving carriage left to right with power applied may cause printer to lose registration.

18. Supplies

Ribbon

The ribbon cartridges provided by AT&T Teletype Corporation utilize ribbon material chosen for its physical stability and nonabrasive inks which have a lubricating quality. The use of ribbon cartridges without these required properties may reduce printhead performance and life in addition to shorter ribbon life.

The ribbon cartridge would be replaced whenever the ribbon becomes frayed or print density becomes light. Ribbons obtained from AT&T Teletype Corporation should produce up to five million legible printed characters.

The AT&T Teletype Corporation part number for a package of six ribbon cartridges is 427360 and can be ordered from AT&T Teletype Corporation, using the order form furnished with each printer. A package of 144 ribbon cartridges (part number 427410) can also be ordered from AT&T Teletype Corporation.

Paper

The 5310 and 5320 printers with paper handling accessories are designed to handle a wide range of single and multi-ply papers. Reliable paper feeding is dependent on several factors including: paper weight, finish, thickness, number of plies, type of ply attachment, accuracy of cuts and perforations, etc. Paper feeding is also affected by the temperature and humidity conditions at the time of operation. It is therefore recommended that proper operation be verified with the actual paper and environmental conditions to insure reliable operation.

Friction Feed Paper

Paper for the 5310 Friction Feed Printer should be 8-1/2" wide, 15 lb., single-ply, furnished in 2" maximum rolls. The paper end should not be glued to the spindle. Single sheet typewriter paper can also be used in the friction feed paper.

If the 427350 roll paper holder assembly is installed onto the rear of the printer, standard 8-1/2" wide, single-ply roll paper furnished in 5" maximum diameter rolls with a 1" diameter spindle hole can be used.

See "Paper Suppliers" in this section for ordering information.

Sprocket Feed Paper

Paper for the 5310 Printer with pin feed platen must be 9-1/2 inch sprocket feed fan-fold type. When the paper is torn at the serrations, an 8-1/2 inch wide sheet remains.

Paper used in printers with a tractor mechanism installed can be 3 to 9-1/2 inches wide (5310 Printer) or 3 to 14-7/8 inches wide (5320 Printer).

Both printers require paper with folds or horizontal perforations located midway between sprocket holes and standard sprocket hole size and spacing. The printer will accept 1 part to 6 part fan-fold forms. Form length can be from 3 to 21 inches. The suggested single ply paper weight is 15 lbs. to 18 lbs. Multicopy capability is directly related to the paper used. An original and five copies can be obtained with 12 lb. paper and standard lightweight (8 lb.) carbon with the pull-type tractor or pin feed platen (bottom feed) accessory. Other paper combinations may perform acceptably, but it is recommended that proposed forms be tried before use.

Multicopy legibility may not be acceptable at all character pitches. When using multi-ply paper, it is recommended that only alphanumeric characters be printed and character spacing be no greater than 10 characters per inch. Satisfactory multi-ply printing at no more than 10 characters per inch (12, 13.6 and 16.7) is dependent on the number of copies printed and the quality of carbons and should be evaluated for each application. Printing of special character sets, such as control codes, may not be legible on all copies of multi-ply paper. Maximum thickness of the paper is not to exceed 0.021 inches. Other paper combinations may perform acceptably, but it is recommended that proposed forms be tried before use.

See "Paper Suppliers" in this section for ordering information.

Paper Suppliers

Friction Feed Paper

White, 8-1/2 inch wide, 2 inch diameter rolls of friction feed paper can be ordered in cartons of 24 from:

Moore Business Forms, Inc.
National Product Distribution Point
415 Glen Springs Drive
Suite 203
Cincinnati, Ohio 45246
513-851-5400

24 rolls per carton
Catalog No. 22100

Ribco Products Inc.
2506-T Wisconsin Ave.
Downers Grove, IL 60515
312-963-9540
or
800-368-3485

24 rolls per carton
Order No. 2142

Sprocket Feed Paper

Moore Business Forms, Inc.
National Product Distribution Point
415 Glen Springs Drive
Suite 203
Cincinnati, Ohio 45246
513-851-5400

Wallace Business Forms, Inc.
444 W. Grand Ave.
Chicago, IL 60610

Duplex Products Co.
228 W. Page
Sycamore, IL 60178

Note: Similar replacement paper may be obtained from the supplier listed on the original paper box or from other suppliers listed above or in the telephone book yellow pages.

Accessories

The following printer accessories are available to the customer:

Accessory	Part Number	Specification
115 Vac Power Cord, 7-1/2 Feet	412394	
EIA Cable, 7 Foot Length	412465	
EIA Cable, 12 Foot Length	412466	
EIA Cable, 25 Foot Length	412467	
EIA Cable, 50 Foot Length	412468	
Designator Strip	412592	
Acoustic Coupler Interface Unit	414480	
Integrated Modem Modification Kit	414621	52008S
International, Securities and Line Drawing Keytop Labels	418040	
APL Keytop Labels	418041	
Designator Label	418042*	
Roll Paper Holder Modification Kit	420250	52025S
Friction Feed Platen	427011	
Carrying Case	427136	
Tractor Assembly With Paper Separator (Pull-Type for 5310)	427240	52004S
Tractor Assembly (Push-Type for 5310)	427250	52004S
Pin Feed Platen With Paper Separator	427260	52004S
Tractor Assembly With Paper Separator (Pull-Type for 5320)	427293	52004S
Paper Holder, Fanfold	427342	
Static Eliminator Assembly, 9-1/2 Inch	427358†	52004S
Static Eliminator Assembly, 15 Inch	427359‡	52004S
Paper Separator Assembly	427394 §	52004S
Static Eliminator Assembly, 9-1/2 Inch	427425**	52004S
Modular Telephone Cord, 7 Foot Length	430581	
Modular Telephone Cord, 14 Foot Length	430582	
Modular Telephone Cord, 25 Foot Length	430583	
AAB EPROM Modification Kit	430972	52035S
230 Vac European Cordset, 2 Meter	455680	

*Used with 412592 designator strip.

†Used with 427260 pin feed platen with paper separator and 427240 tractor assembly with paper separator.

‡Used with 427293 tractor assembly with paper separator.

§ Used with 427250 push-type tractor assembly.

**Used with 427394 paper separator assembly.



5555 Touhy Avenue
Skokie, IL 60077
Phone (312) 982-2000

Page 37
37 Pages

Part of Specification 52004S
Issue 3, June 1985