

INSTRUCTIONS FOR INSTALLING THE 451340 MODIFICATION KIT (208-TYPE
DATA SET VENTILATION) FOR USE ON 45CAB401/AAA CABINET

1. GENERAL

1.01 The 451340 modification kit provides forced air flow for cooling from the front of the Western Electric 208-type Data Set. The air exhausts out the rear of the 45CAB401/AAA Cabinet. It also provides ac power to the data set and determines the location of the data set within the cabinet.

1.02 The 451340 modification kit mounts in the upper rear section of the cabinet. The included cable assembly consists of two cables, one supplies the ac power input which plugs into the receptacle on the associated controller, the other supplies ac power to the 208-type data set.

1.03 The included fan with cable is powered from a connector of the included cable of 1.02. The fan and dataset are both unswitched.

2. PARTS LIST

2.01 The 451340 modification kit consists of the following:

Qty	Part No.	Description
1	451341	Fan with Cable (includes muslin bag w/hardware)
1	451342	Fan Bracket
1	451344	Cable Assembly

3. INSTALLATION

3.01 Disconnect all ac power to the 45C340 type controller and the 45CAB401/AAA Cabinet. Loosen the two captive mounting screws on the bottom of the cabinet door, lift off door.

3.02 Remove all items from the upper shelf area of the cabinet and remove the two 181042 rubber tips from the two weld screws in the rear of the shelf. Start threading the two 430732 nuts with washers (from muslin bag) on the two exposed weld screws, allowing space below nut with washer for fan bracket (of 3.03), do not tighten. See Fig. 1.

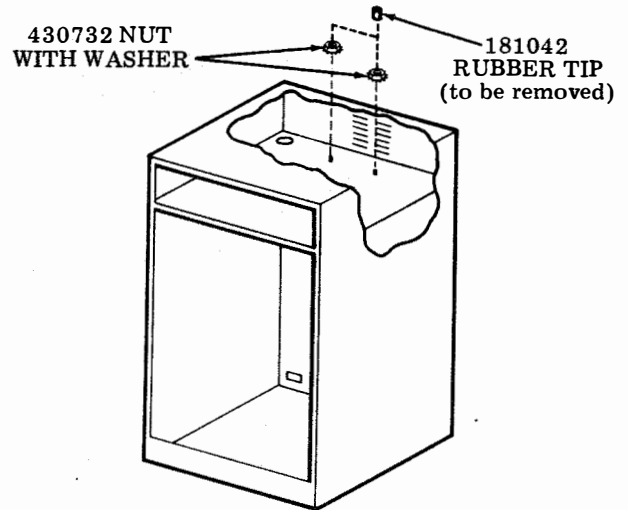


Fig. 1 - 45CAB401/AAA
(Shown without door and controller)

3.03 Slide in fan bracket (fan to rear) into the upper shelf until the vertical slots line up with weld screws. Move bracket back until vertical slots are through the weld screws and the horizontal slots stop against the weld screws. See Fig. 2.

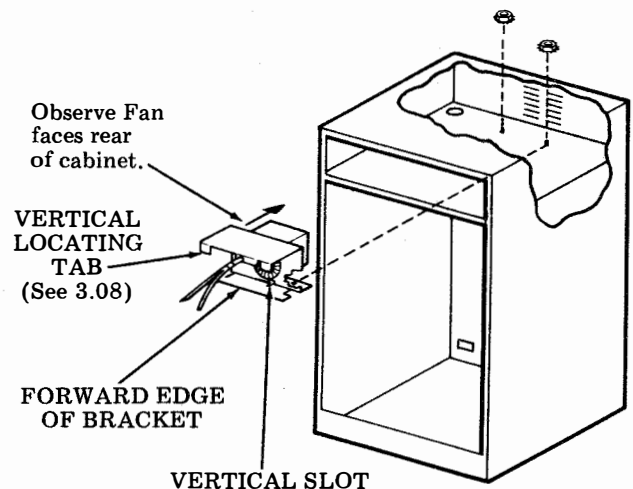


Fig. 2

SPECIFICATION 50983S

3.04 Check that bracket is as far to the rear of the cabinet as possible and tighten nuts securely.

3.05 Loosen the captive mounting screw on the bottom of the controller. Slide the controller out from the cabinet and hook on the forward edge of cabinet rails. Do not strain any attached cables. Route the ac cord through the cutout located in left rear corner of the shelf and plug into the lower controller receptacle. See Fig. 3.

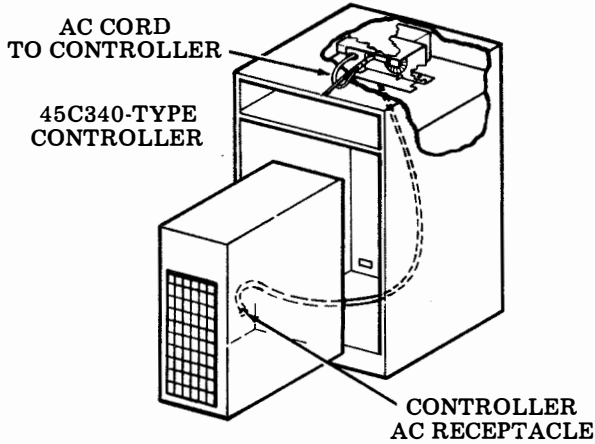


Fig. 3.

3.06 Route the telephone interface cable into the cabinet through the cutout at the bottom of the rear side of the cabinet. Route the 452198 data set cable and telephone interface cable up through the cutout in the left rear corner of the shelf and position the ac power cord (to data set) from the fan assembly to the front of the cabinet together with the 452198 cable and telephone interface cable. See Fig. 4.

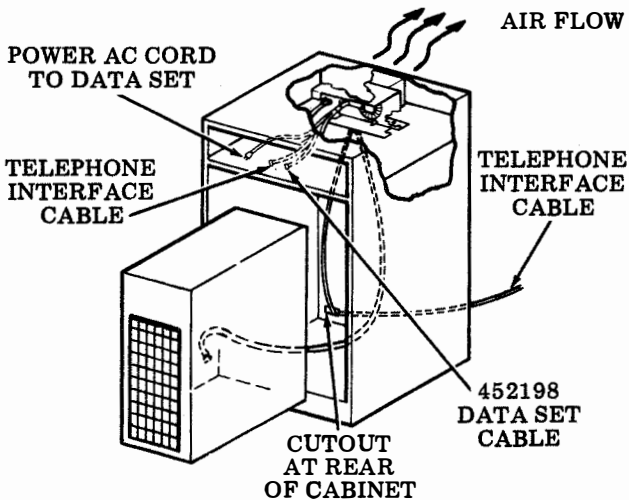


Fig. 4

3.07 Place the data set right side up on the top of the cabinet with the connectors facing the front of the cabinet. Connect the telephone interface cable and the ac power cable (twist lock) to the data set. Connect 452198 cable such that the cable at the connector end faces downward. See Fig. 5.

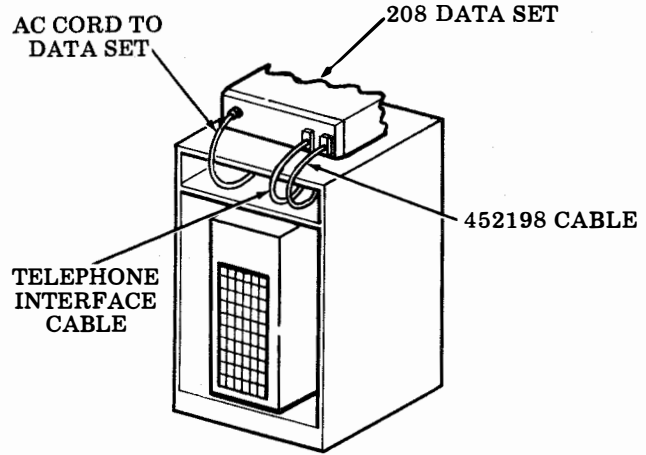


Fig. 5.

3.08 Turn data set around so that cables face rear of cabinet. Slide data set into the upper shelf of cabinet until data set rests against fan assembly vertical locating tabs (see figure following 3.03).

3.09 Reassemble the controller into the cabinet and plug the controller ac power plug into an ac outlet.

3.10 With power applied and controller front panel switch turned on, the data set and fan is automatically turned on. Check for air flow at rear of cabinet (see Part 6 if required).

4. ADJUSTMENTS

4.01 There are no adjustments for the modification kit.

5. LUBRICATION

5.01 The fan motors are permanently lubricated and are not to be further lubricated.

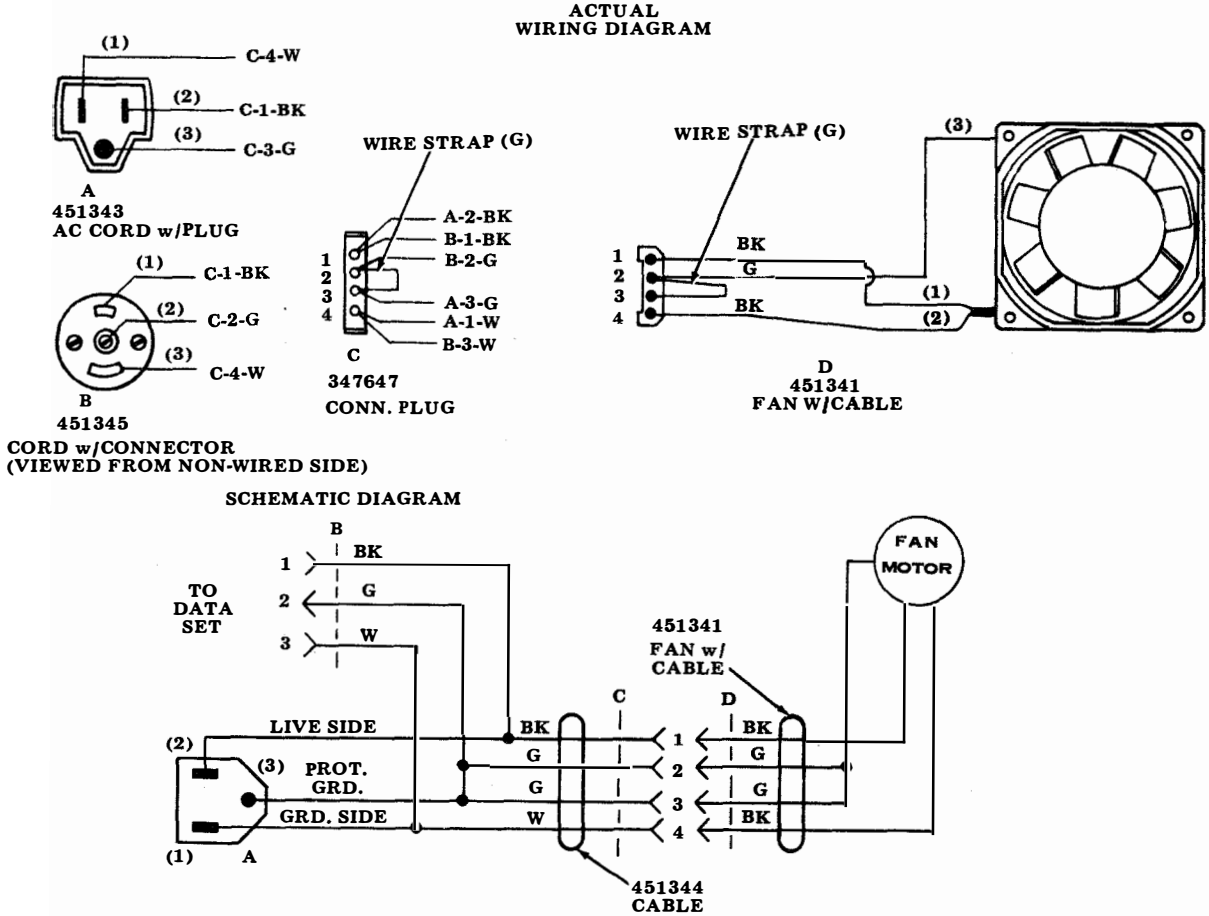
6. TESTING AND TROUBLESHOOTING

6.01 Check for air flow at rear of cabinet. If there is no air flow:

- (1) Check that power is applied to controller.
- (2) Check that all cables are connected.
- (3) Check that the connectors on the fan assembly are fully seated.

6.02 Actual wiring and schematic diagrams of the 451340 modification kit.

Note: Component views are shown from the wired side unless otherwise noted.



7. OPERATOR INFORMATION

7.01 Operator actions are not affected by this modification kit.