

INSTRUCTIONS FOR INSTALLING 406370 MODIFICATION KIT TO PROVIDE SSI
INTERFACE BY CONVERTING 40CAB302/ZZ TO A 40CAB302/AB CABINET
OR CONVERTING 45CAB702/ACA TO A 45CAB702/AAA CABINET

1. GENERAL

	<u>Qty.</u>	<u>Part No.</u>	<u>Description</u>
1.01 This specification provides information for installing 406370 modification kit.	2	2191	Lockwasher
	2	3598	Nut, 6-40 hex
	2	3640	Lockwasher
	2	107116	Starwasher
1.02 All instructions on unit packing cartons and labels shown inside the cabinet should be adhered to.	1	118617	Screw, 6-32 Self-Tapping
	2	121243	Clamp, 3/16 ID cable
	3	198670	Screw w/lockwasher, 6-40 by 5/16 hex
1.03 Description and part identification for 40CAB302/ZZ cabinet can be found in Manual 403 or for Bell System, in Section 582-212-700 as an aid for location and identification.	2	326023	Screw, 4-40 by 9/32 hex
	2	402449	Bushing
	1	406438	Assembly, bracket
	1	430732	Nut w/lockwasher
	1	453394	Bracket, SSI
1.04 Description and part identification for 45CAB702 cabinet can be found in Manual 457.			
1.05 When ordering replaceable parts or components, unless otherwise specified, prefix each part number with the letters "TP" (ie, TP410055).			

2. MODIFICATION KIT PART LISTING

2.01 The 406370 modification kit contains the following parts:

3. INSTALLATION

3.01 Installation of 406370 modification kit into a 40CAB302/ZZ cabinet can be done by following Fig. 1 or Fig. 2.

3.02 Fig. 1 is for early design cabinet application and Fig. 2 is for later design application. Brackets used and quantity of hardware required vary according to application.

3.03 Installation of 406370 modification kit into a 45CAB702 cabinet can be done by following Fig. 3.

RTTY ELECTRONICS
TELETYPE=Sales-Service-Parts
PO Box 20101 El Sobrante, Ca.
94820. (510)222-3102
mr_rtty@pacbell.net

SPECIFICATION 50951S

Note: Parts included in 406370 modification kit that are not shown in Fig. 1 or Fig. 2 are not required.

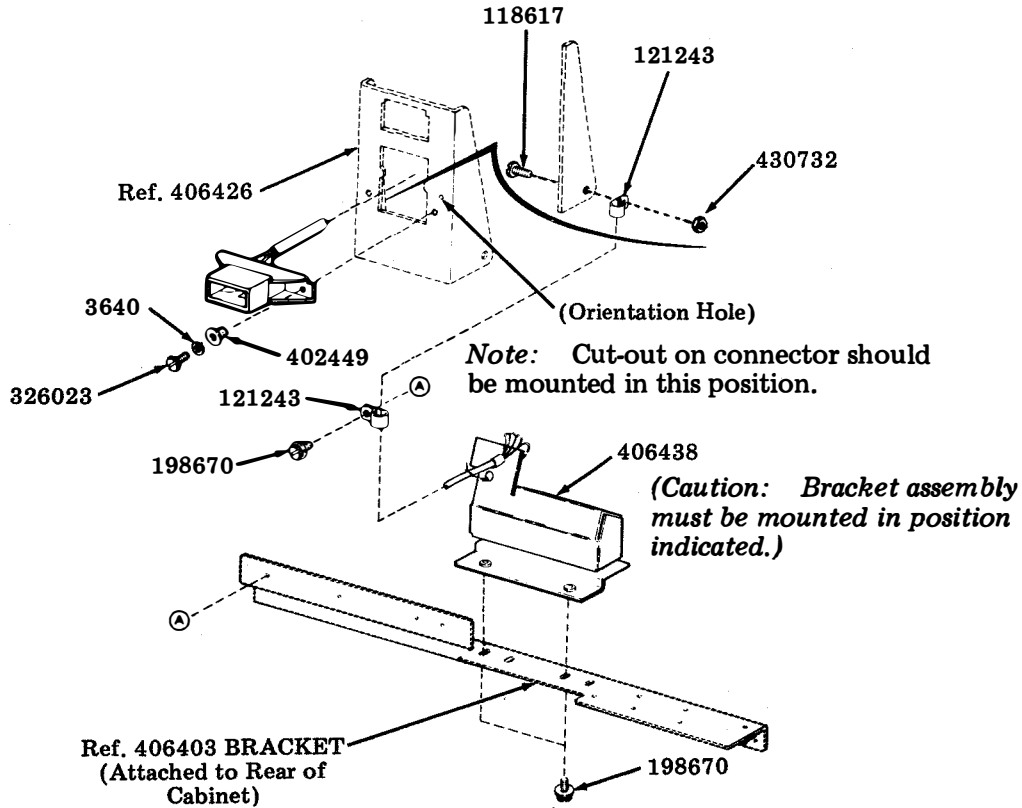


Fig. 1 - Early Design

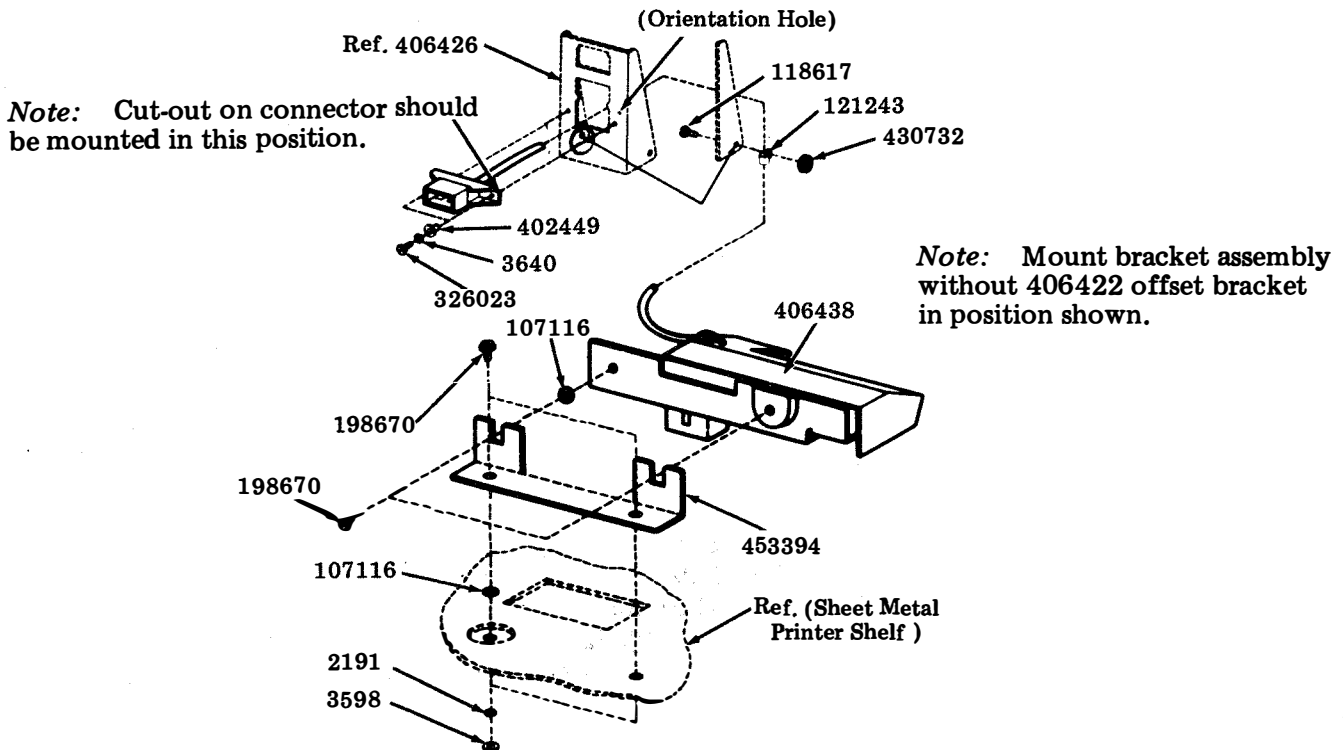


Fig. 2 - Late Design

Note: Parts included in 406370 modification kit that are not shown in Fig. 3 are not required.

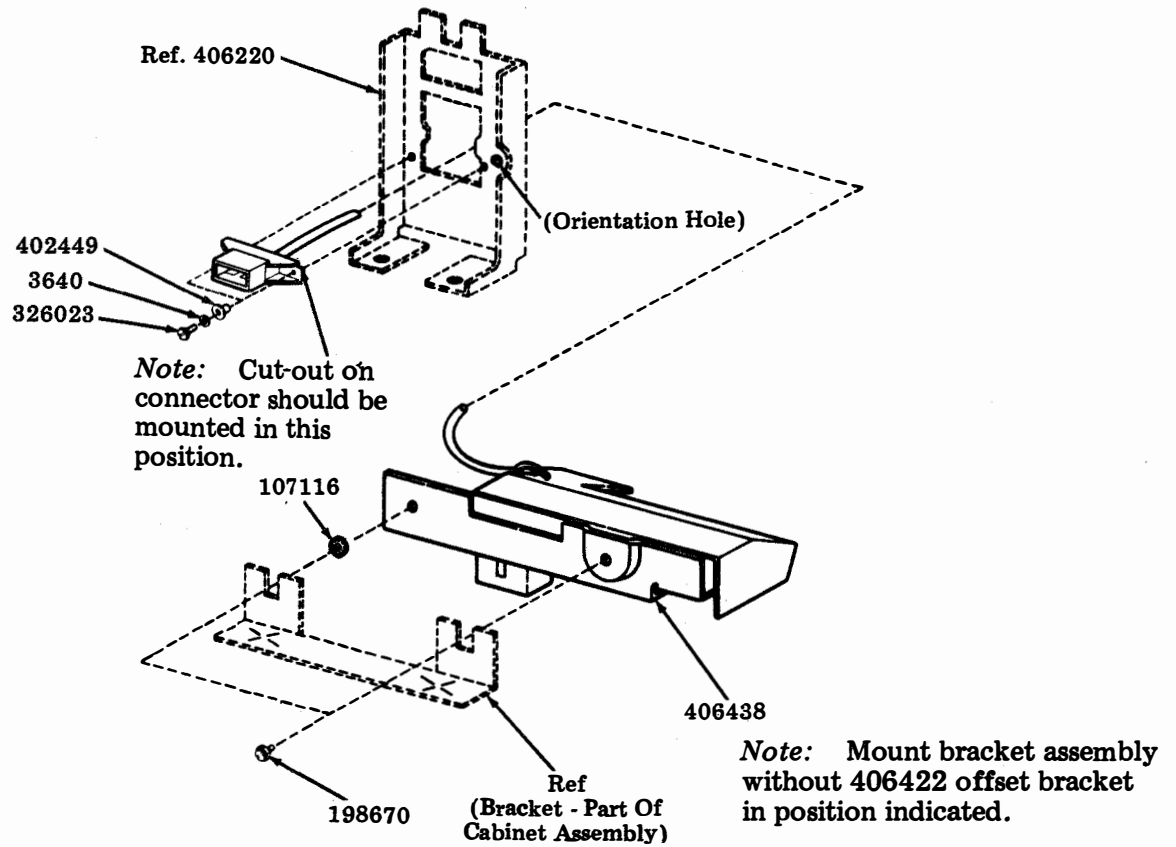


Fig. 3