

INSTRUCTIONS FOR INSTALLING 402936 MODIFICATION KIT THAT PROVIDES A
REPLACEABLE RIBBON SHIELD ON MODEL 40 80-COLUMN TRACTOR FEED PRINTERS

1. GENERAL

1.01 This modification kit when installed on a printer provides an improved method for replacing the ribbon shield. To replace an existing 402753 ribbon shield, it is necessary to remove and disassemble the front frame assembly. With the new 402798 ribbon shield w/eyelets installed, the front frame assembly need not be disassembled or removed from the printer if replacement becomes necessary.

1.02 The new ribbon shield wraps around the right and left ribbon guides making it virtually impossible to install the ink ribbon on the wrong side of the ribbon shield.

1.03 The new ribbon shield is translucent, having a white color, making it easy to see when installing a new ink ribbon.

1.04 The new ribbon shield has been designed to be less susceptible to damage than the 402753 ribbon shield, thus providing protection to the copy from ink smudge.

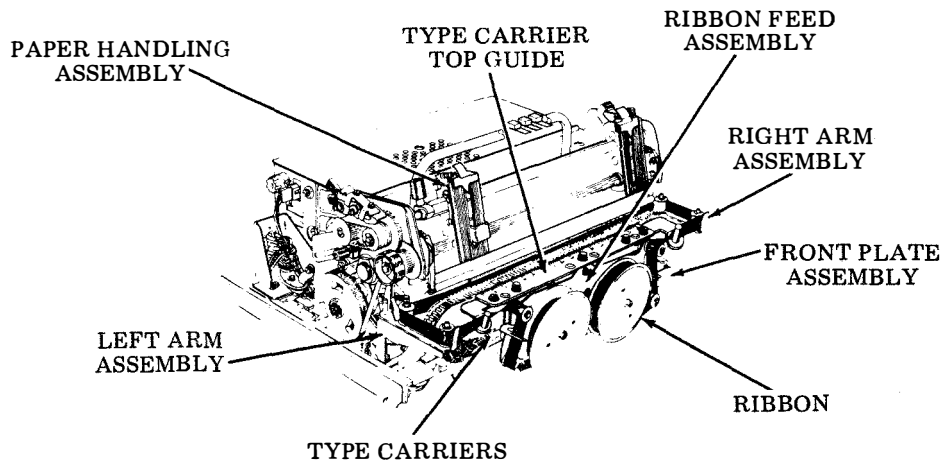
1.05 The 402936 modification kit consists of the following parts:

<u>Qty</u>	<u>Part No.</u>	<u>Description</u>
1	88891	Spring
1	402798	Ribbon shield w/eyelets
1	402817	Guide, right
1	402822	Spacer

2. INSTALLATION

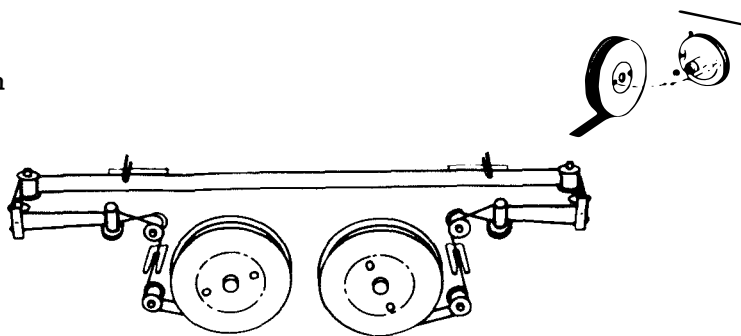
DANGER: REMOVE ALL POWER FROM THE SET BEFORE PERFORMING ANY DISASSEMBLY AND INSTALLATION.

- Remove printer from the cabinet and place on a suitable working surface.



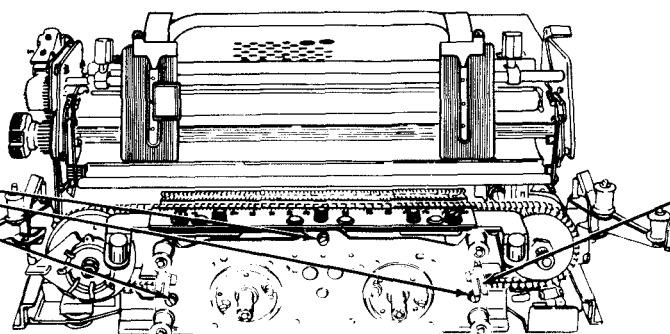
Ribbon -- Removal

- ① The ribbon spools rest on nylon drive pins. Pull outward to remove. Remove ribbon and spools, save if the ribbon is in good condition.



Ribbon Feed Assembly -- Removal

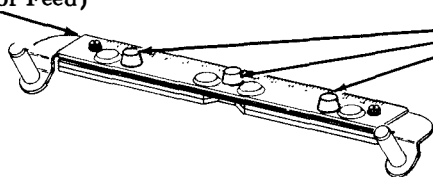
- ① Remove three 184056 screws w/lockwashers, retain.



- ② Move to right to clear belt. Remove ribbon feed assembly and belt, retain.

Top Guide Plate Assembly -- Removal

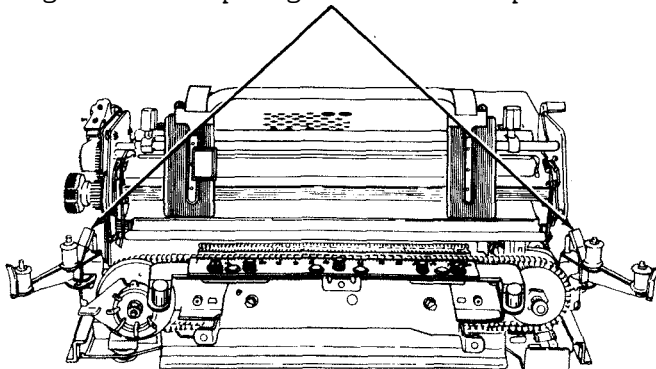
CARRIER TOP GUIDE
(Tractor Feed)



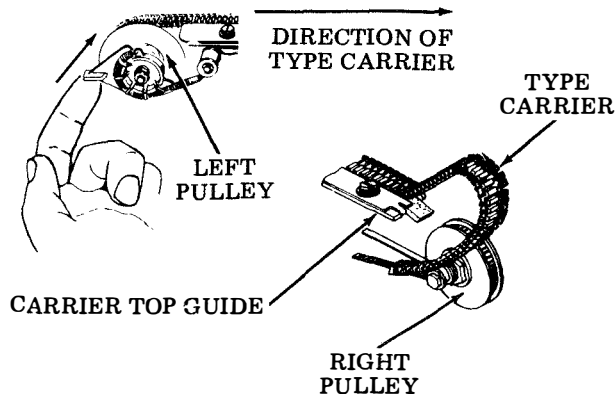
- ① Remove three thumbscrews and lockwashers securing carrier top guide and remove guide, retain.

Type Carrier -- Removal

- ① Release thumb levers on left and right ribbon guide brackets allowing guides to spring to sides of printer.

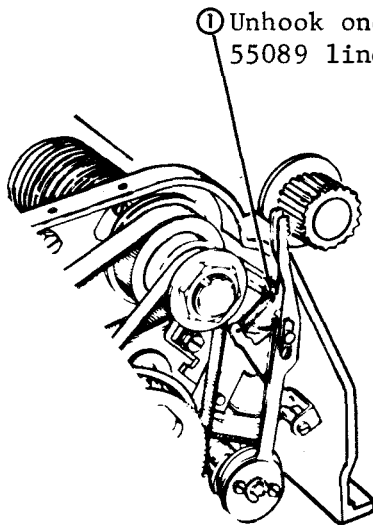


- ② Lift finger lever on left pulley and hold. Remove type carrier starting at right pulley as shown. Release finger lever, retain.



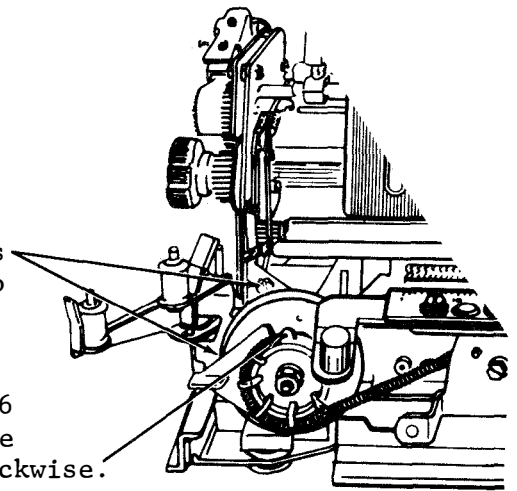
Left Arm Assembly -- Removal

- Place the printer in a vertical position with front of printer facing up.

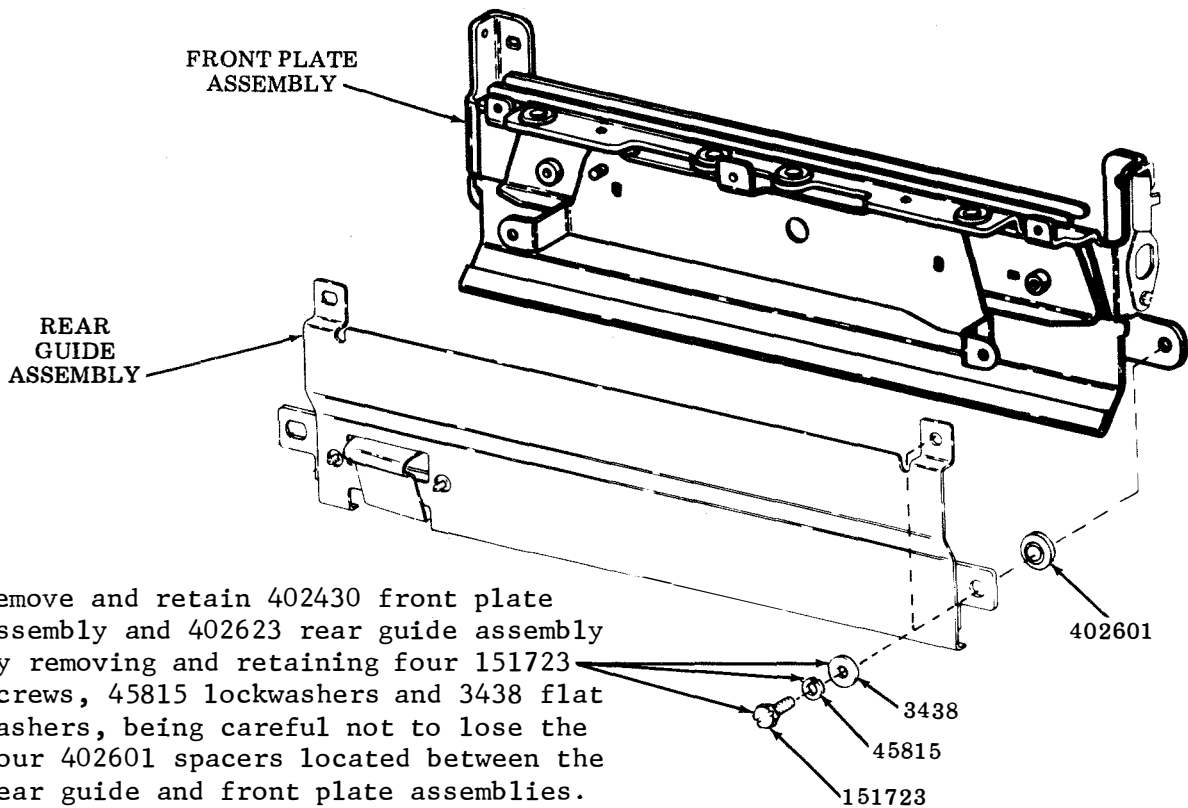


- ③ Remove two 151630 screws, 2191 lockwashers and 7002 flat washers to remove 402625 left arm assembly, retain.

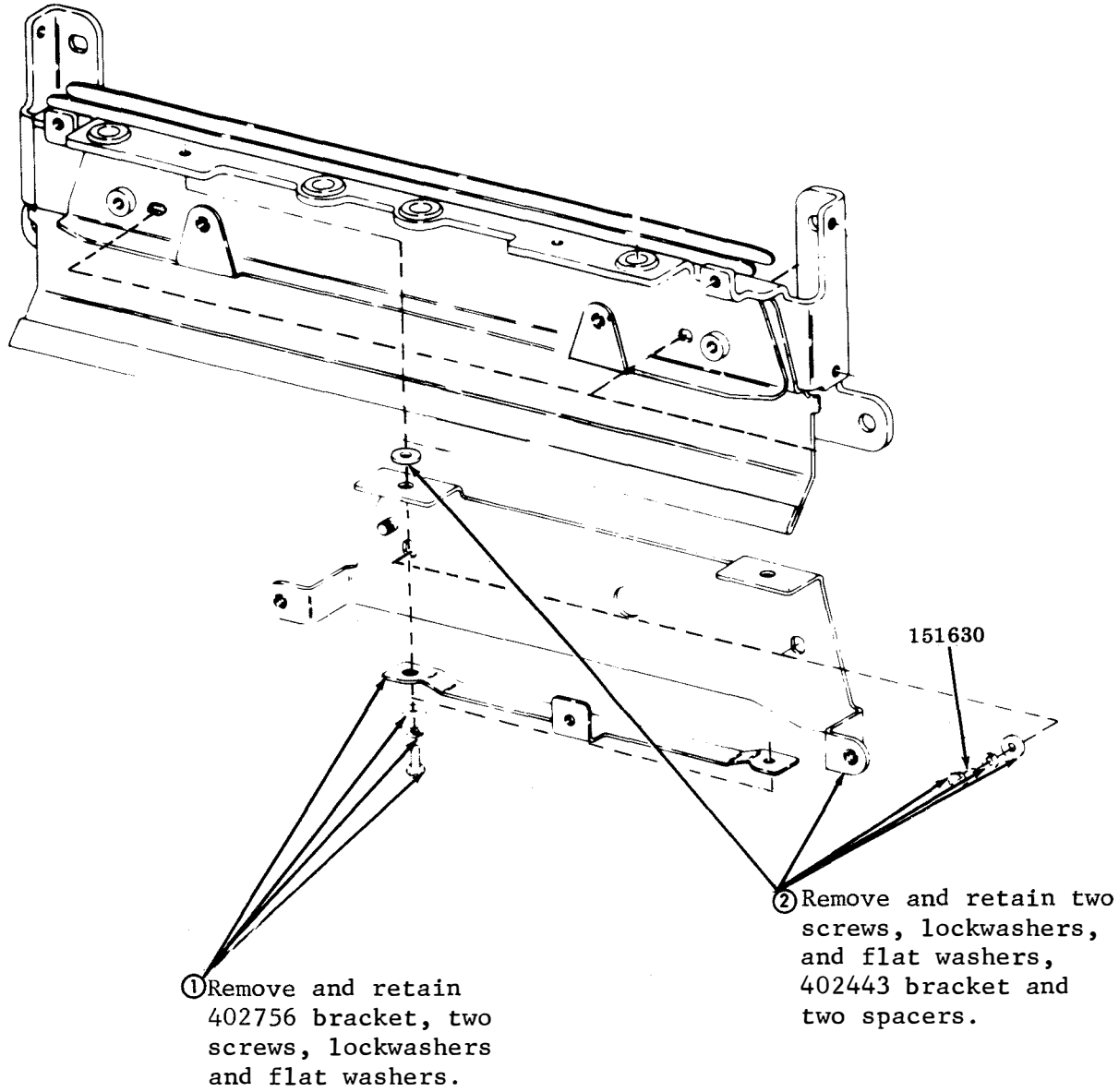
- ② Disconnect 400226 spring and rotate the left arm clockwise.



Front Plate and Rear Guide Assemblies -- Removal

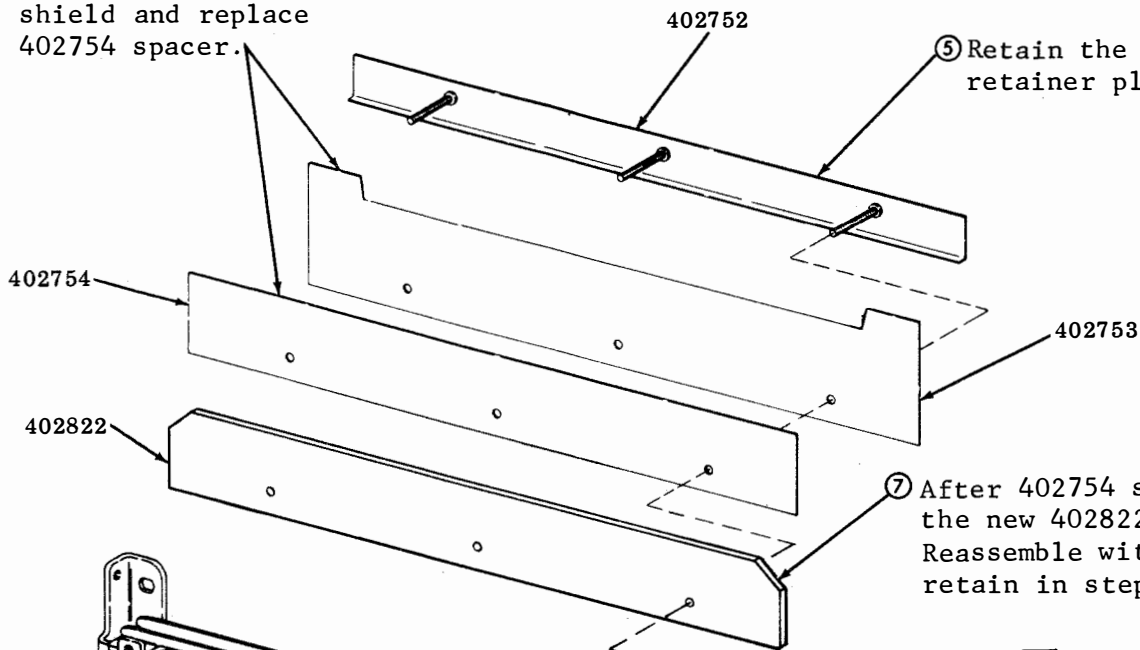


Front Plate Assembly Parts -- Removal



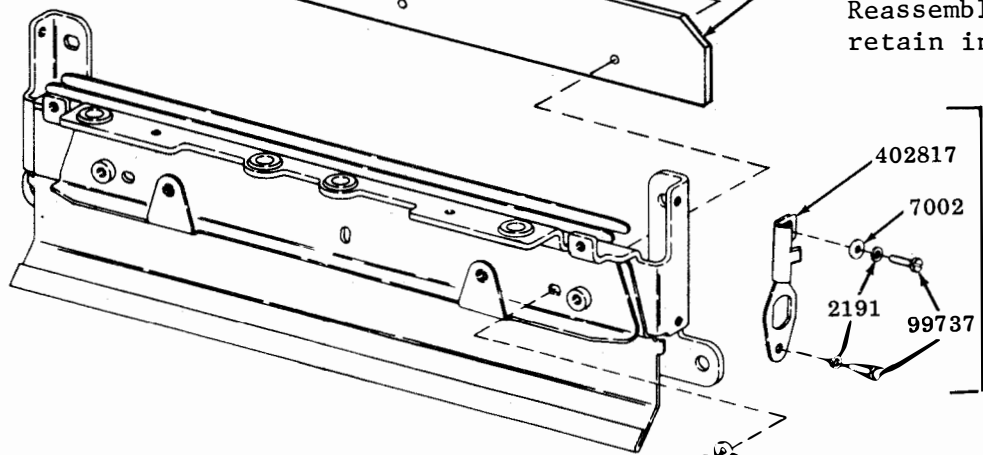
Front Plate Assembly Parts -- Removal (Cont)

⑥ Remove the 402754 spacer and 402753 ribbon shield. Discard 402753 ribbon shield and replace 402754 spacer.



⑤ Retain the 402752 retainer plate.

⑦ After 402754 spacer, add the new 402822 spacer. Reassemble with hardware retain in step ④.



③ Remove 402447 ribbon guide and replace with 402817 ribbon guide using existing hardware.

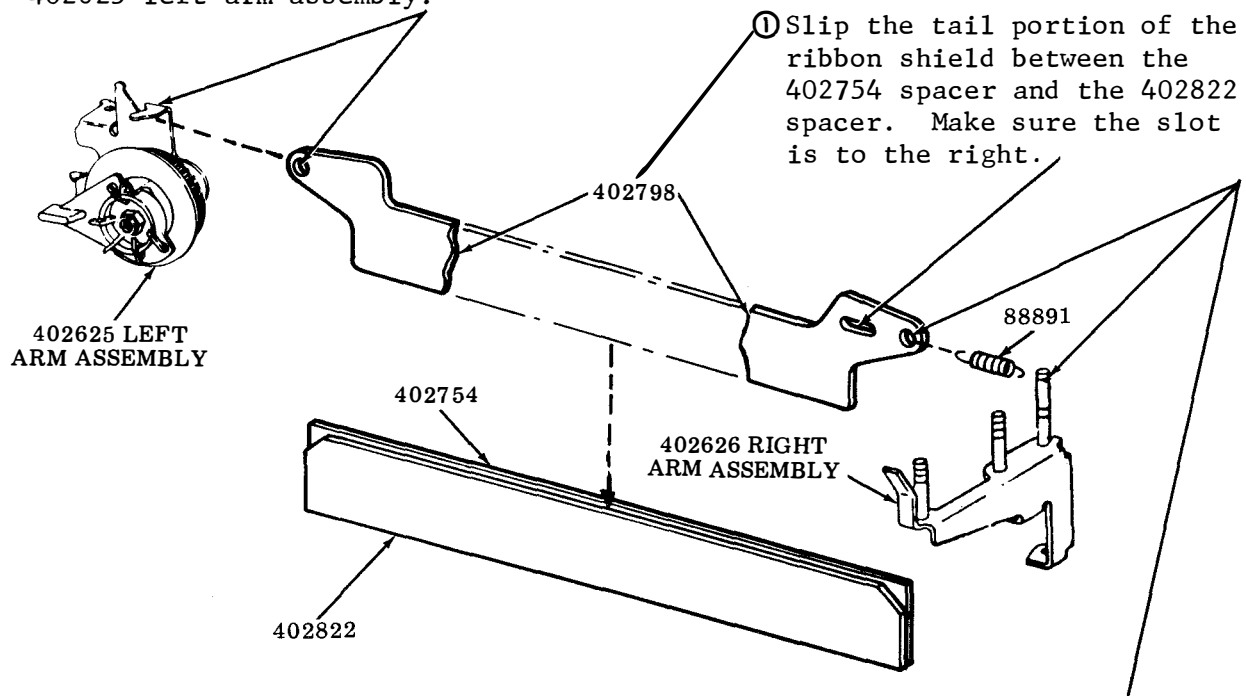
④ Remove and retain three nuts, lockwashers and flat washers.

⑧ Reassemble the following, by reversing the removal procedures.

- Front Plate Assembly Parts -- Steps ① and ②
- Front Plate and Rear Guide Assemblies
- Left Arm Assembly
- Ribbon Feed Assembly

Installation of New 402798 Ribbon Shield

② Hook left end of ribbon shield over the formed hook on the 402625 left arm assembly.

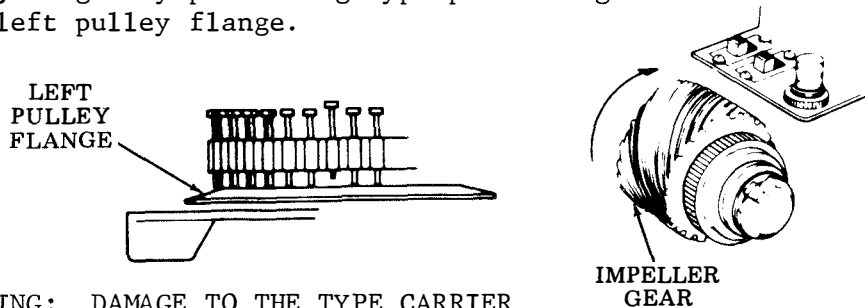


① Slip the tail portion of the ribbon shield between the 402754 spacer and the 402822 spacer. Make sure the slot is to the right.

④ Reassemble the type carrier.

Note: In reassembling, start type carrier at the left pulley. Rotate type carrier one revolution by turning impeller gear by hand clockwise. At the same time, align any protruding type pallets against the left pulley flange.

③ Hook the 88891 spring through the eyelet of ribbon shield and the other end over the post of the 402626 right arm assembly. Check to see that the ribbon shield is straight between the ribbon guides and that it is below the hammer bank.



WARNING: DAMAGE TO THE TYPE CARRIER OR PRINTER WILL RESULT IF ANY PROTRUDING TYPE PALLET IS LEFT UNCHECKED.

- ⑤ Reinstall top guide plate assembly, tighten thumb screws.
- ⑥ Check adjustment requirement on the following page.
- ⑦ Install new or retained ink ribbon.

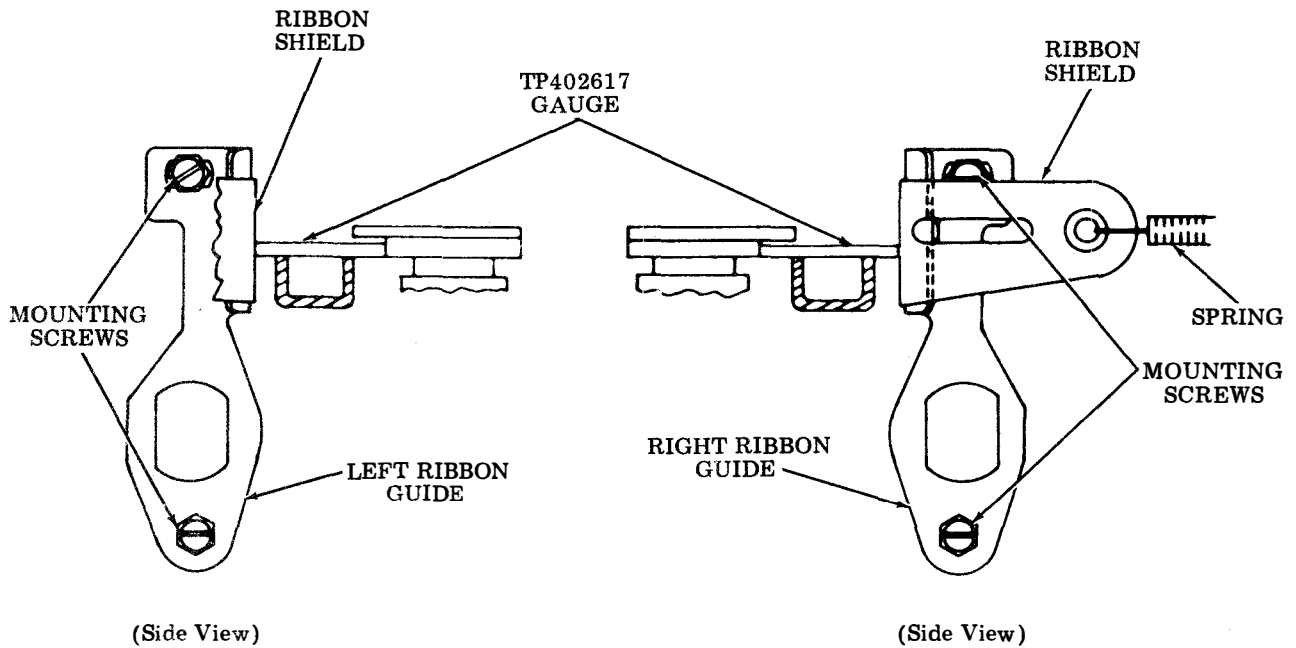
3. ADJUSTMENTS

LEFT AND RIGHT RIBBON GUIDE (Preliminary)

Note: The ribbon guide adjustment will be changed as follows:

Requirement: The right and left ribbon guides, with the ribbon shield between, should touch the adjusting gauge.

To Adjust: Loosen mounting screws, push the right and left ribbon guides so that the ribbon shield contacts the adjusting gauge. Tighten the mounting screws.



SPECIFICATION 50868S

3. ADJUSTMENTS (Cont)

LEFT AND RIGHT RIBBON GUIDES (Final)

Requirement 1

There should be a
Min. 0.010 inch
clearance between the ribbon shield where it contacts the ribbon guides
and the face of a flag pallet on carriers having three fonts and the face
of a font identification pallet on carriers having two fonts.

To Adjust

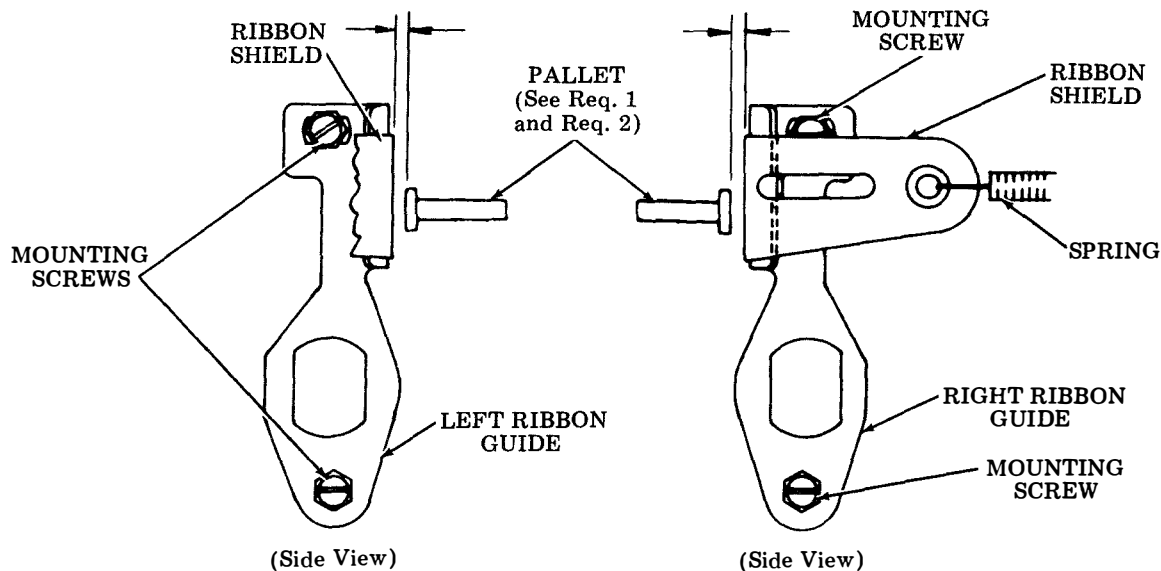
Loosen ribbon guide mounting screws friction tight. Position guide to
meet requirement. Tighten mounting screws. Repeat procedure with other
ribbon guide.

Requirement 2

There shall be a
Min. 0.006 inch
clearance between the ribbon shield where it contacts the ribbon guides
and all pallet faces.

To Adjust

Seat pallets against rear surface of font flange of left sprocket.



Note: Check all adjustments that may have been disturbed.
Refer to Section 582-210-700 or Manuals 352 or 355.

- The ribbon feed drive belt tension.
- The paper positioner final.

4. LUBRICATION

None