

INSTRUCTIONS FOR INSTALLING 405671, 407024, 407025 OR
 407026 MODIFICATION KITS TO THE 40CAB351/YZ AND ZZ OR
 40CAB353/YZ AND ZZ COMMON CABINET CORE TO FORM
 THE VARIOUS ARRANGEMENTS LISTED BELOW

40 CABINET CODE (Table Top)	YZ OR ZZ + CODE	MOD. KITS	DESCRIPTION	TYPE
CAB351/AA =	CAB351/	407026	RO Printer	80 Column Tractor (SSI)
CAB351/AB =	CAB351/	407025	RO Printer W/ Provision for Opcon	80 Column Tractor (SSI)
CAB351/AC =	CAB351/	407024	RO Printer W/ Provision for Opcon	80 Column Tractor (EIA)
CAB353/AA =	CAB353/	405671	RO Printer	132 Column Tractor (SSI)
CAB353/AB =	CAB353/	407024	RO Printer W/ Provision for Opcon	132 Column Tractor (EIA)

NOTE: 40CAB351YZ and 353YZ cabinets are similiar to 40CAB351ZZ and 353ZZ cabinets with the exception that the YZ cabinets are modified with a larger cut-out to allow dual EIA mounting. The cut-out is located in the Left rear of cabinet.

1. GENERAL

1.01 This specification provides necessary information for installing any of above listed modification kits into their respective cabinet core to complete the desired cabinet code.

1.02 All instructions on unit packing cartons and labels shown inside the cabinets should be adhered to.

1.03 Complete descriptions and parts identification for cabinets CAB351 and CAB353 can be found in Section 582-212-700 or Manual 355 as an aid for location and identification.

2. MODIFICATION KITS PARTS LISTING

2.01 Following is a list of parts of the four modification kits that are required to make the completed cabinet codes.

• 405671 Modification Kit

<u>Part No.</u>	<u>Description</u>	<u>Qty</u>	<u>Part No.</u>	<u>Description</u>	<u>Qty</u>
3640	Lockwasher	2	405609	Clip, ground	1
107116	Lockwasher	2	405644	Plate w/ adhesive	1
151631	Screw, 6-40 hex	2	407075	SSI signal input assembly	1
326023	Screw, 4-40 hex	2			
402449	Bushing	2			

SPECIFICATION 50829S

2. MODIFICATION KITS PARTS LISTING (cont)

2.01 Following is a list of parts of the four modification kits that are required to make the completed cabinet codes.

407024 Modification Kit

<u>Part No.</u>	<u>Description</u>	<u>Qty</u>	<u>Part No.</u>	<u>Description</u>	<u>Qty</u>
3640	Lockwasher	2	405669	Shield	1
107116	Lockwasher	4	407012	Adhesive strip	2
116793	Lockwasher	2	407076	Capacitor assembly	1
151631	Screw, 6-40 hex	4	407077	EIA signal input assembly	1
154249	Screw, #8	1	407301	Opcon cable assembly	1
312918	Tie, cable	1	407303	SSI cable assembly	1
326023	Screw, 4-40 hex	2			
346696	Shield	1			
347333	Latch, Arm Assem.	1			
347334	Latch, Arm Assem.	1			
401227	Tab, terminal	1			
402449	Bushing	2			

407025 Modification Kit

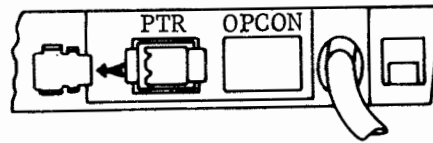
<u>Part No.</u>	<u>Description</u>	<u>Qty</u>	<u>Part No.</u>	<u>Description</u>	<u>Qty</u>
3640	Lockwasher	2	403964	Opcon cable assembly	1
107116	Lockwasher	2	405609	Clip, ground	1
116793	Lockwasher	2	407075	SSI signal input assembly	1
151631	Screw, 6-40 hex	2			
154249	Screw	1			
326023	Screw, 4-40 hex	2			
401227	Tab, terminal	1			
402449	Bushing	2			

407026 Modification Kit

<u>Part No.</u>	<u>Description</u>	<u>Qty</u>	<u>Part No.</u>	<u>Description</u>	<u>Qty</u>
3640	Lockwasher	2	405609	Clip, ground	1
107116	Lockwasher	2	407075	SSI signal input assembly	1
151631	Screw, 6-40 hex	2	403828	Plate Adhesive	1
326023	Screw, 4-40 hex	2			
402449	Bushing	2			

3. INSTALLATION

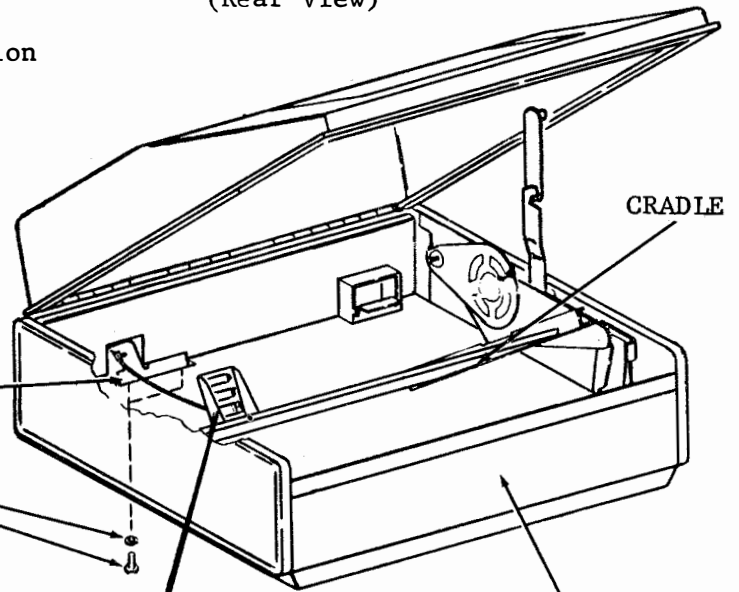
3.01 Installation of 405671 modification kit requires the following steps:



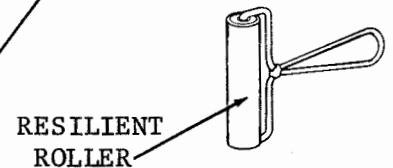
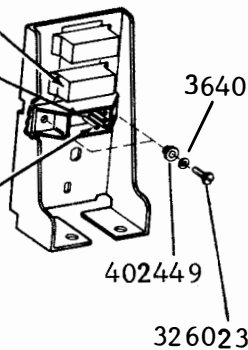
(Rear View)

④ Install 405609 clip by sliding it over the left edge of the cabinet opening. Mark cabinet identification plate with 405671 Modification Kit number.

② Mount the 407075 SSI signal input assembly into cabinet as shown. From bottom of cabinet insert two 151631 screws and two 107116 lockwashers.



③ Some cabinets may have a latching mechanism on connector bracket, temporarily disconnect spring from upper post of connector bracket. In order to install SSI signal input connector, the middle connector must be temporarily removed. Use a screwdriver to press in ears. Assemble SSI connector into bracket using two 402449 bushings, 3640 lockwashers and 326023 screws. Ears



① Remove release paper from 405644 plate w/adhesive and apply to cabinet as shown, by aligning plate parallel to the plastic trim as gauged by eye and clearance at each end of plate is equal as gauged by eye. Secure with resilient roller if available or pressure pads.

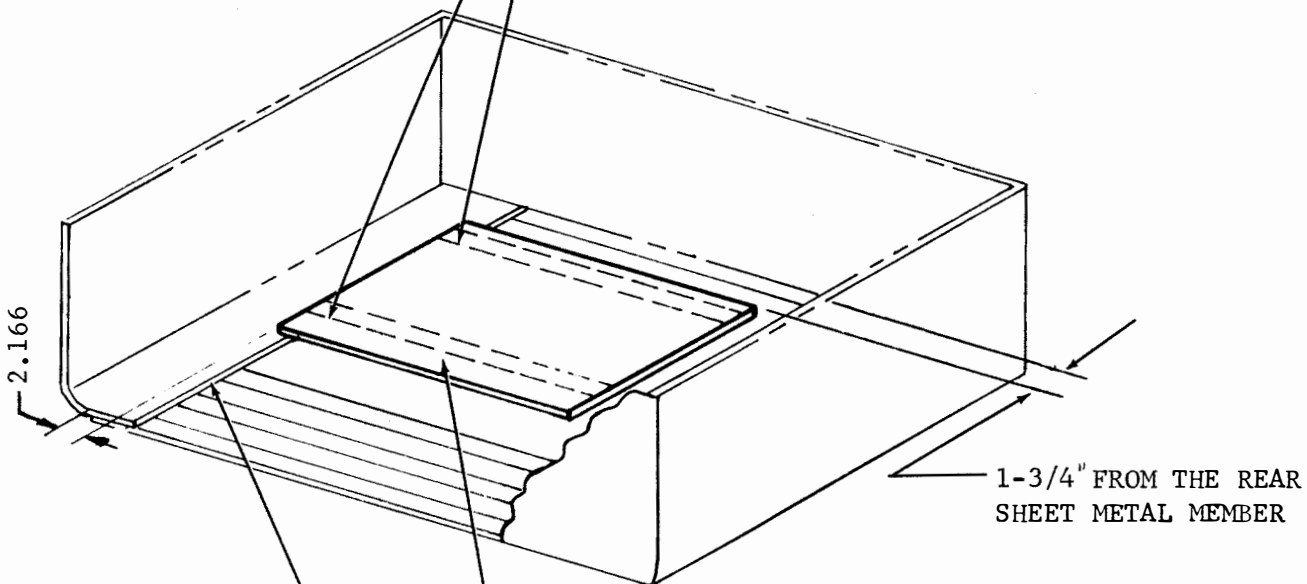
CAUTION: INSTALL SIGNAL CABLE CONNECTOR WITH CUT CORNER TO RIGHT, FOUR TERMINALS MUST BE SEATED AS SHOWN. REINSERT MIDDLE CONNECTOR.

SPECIFICATION 50829S

3.02 Installation of 407024 modification kit requires the following steps:

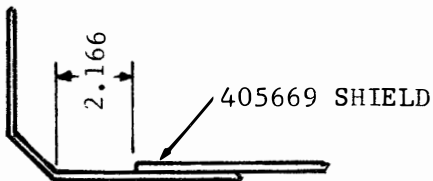
NOTE: If cabinet being Modified is 40CAB351/YZ or 40CAB351/zz, the Left and Right Latch Arms may have to be changed. See identification and Installation instructions on Pages 9 & 10.

① Remove release paper from one side of two 407012 strips. Install one strip on the second raised bottom plate embossment from the back, install the other strip on the third raised bottom plate embossment from the front, with their left edges flush with edge of cabinet side panel return. Press firmly in place.



Left edge of cabinet side panel return.

② Remove release paper from top side of two 407012 adhesive strips. Locate 405669 shield as indicated by dimensions and press firmly in place.

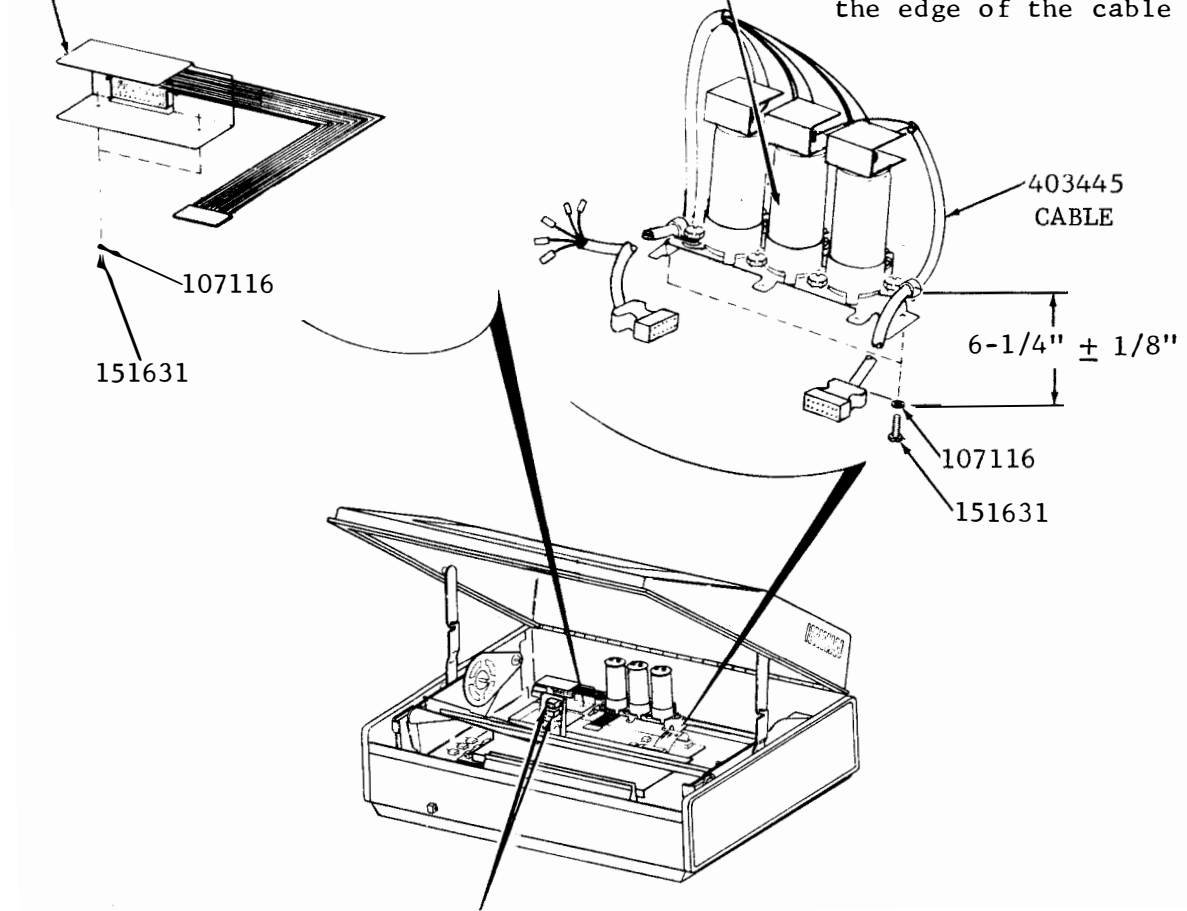


3.02 (Cont)

CAUTION: When mounting capacitor assembly make sure the ribbon cable of 407077 EIA signal input assembly is clear and not pinched under capacitor bracket.

- ③ Mount the 407077 EIA signal input assembly into cabinet as shown. From bottom of cabinet insert two 151631 screws and two 107116 lockwashers.



- ④ Mount 407076 capacitor assembly into cabinet as shown. From bottom of cabinet insert two 151631 screws and two 107116 lockwashers. Check 403445 cable make sure it is $6-1/4" \pm 1/8"$ from the end of the connector to the edge of the cable clamp.

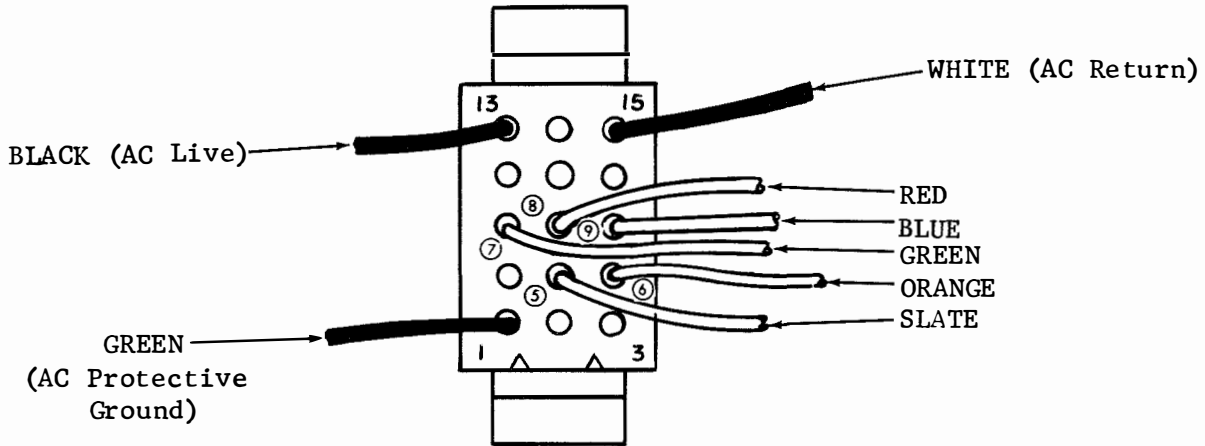


- ⑤ Some cabinets may have a latching mechanism on connector bracket. Temporarily disconnect spring from upper post of bracket. If "ac" power and "cabinet control" connectors are installed in the connector bracket, remove them. Use a screwdriver to press in ears.

⑥ Install terminals of the 407076 capacitor assembly (407302 power cable) into ac power connector (341691).

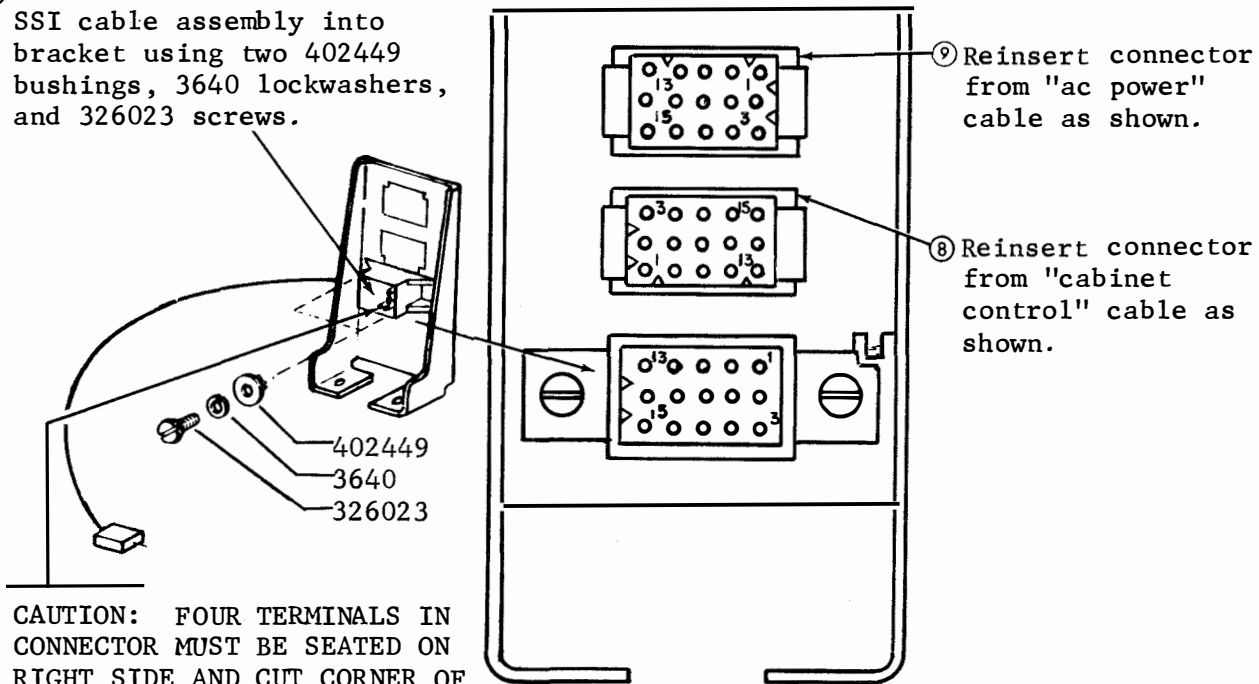
LEGEND:

- Wires shown solid  are supplied with the cabinet.
- Wires shown open  are part of modification kit and are field installed.
- Numbers shown solid are marked on connector.
- Numbers circled are not marked on connector but are included for reference.



(Rear View AC Power Connector)

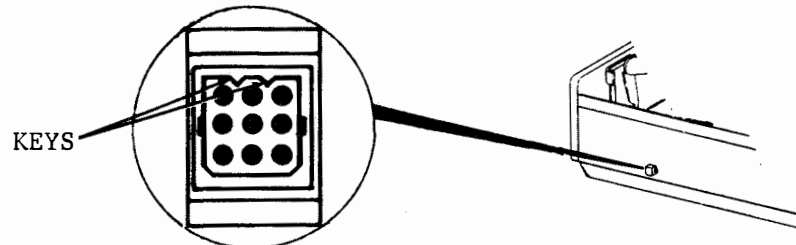
⑦ Assemble connector of 407303 SSI cable assembly into bracket using two 402449 bushings, 3640 lockwashers, and 326023 screws.



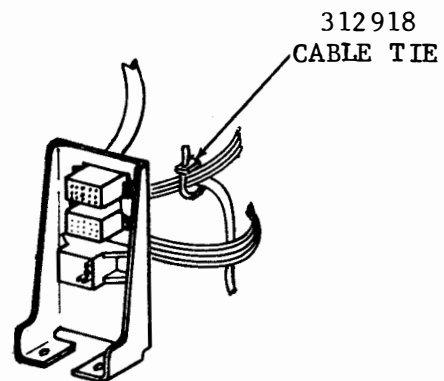
CAUTION: FOUR TERMINALS IN CONNECTOR MUST BE SEATED ON RIGHT SIDE AND CUT CORNER OF CONNECTOR FACES UPPER RIGHT.

(Front View of Cradle Bracket)

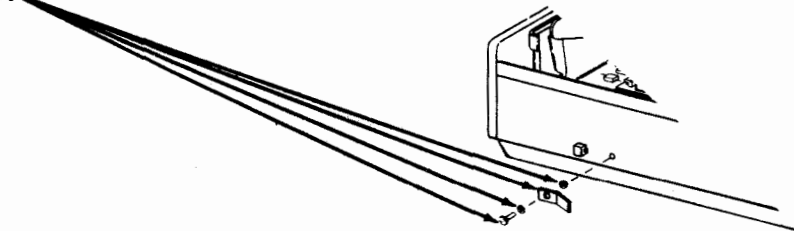
- ⑩ Insert connector of 407301 opcon cable into left front of cabinet as shown. Make sure keys face up.



- ⑪ Attach 312918 cable tie to secure cables.

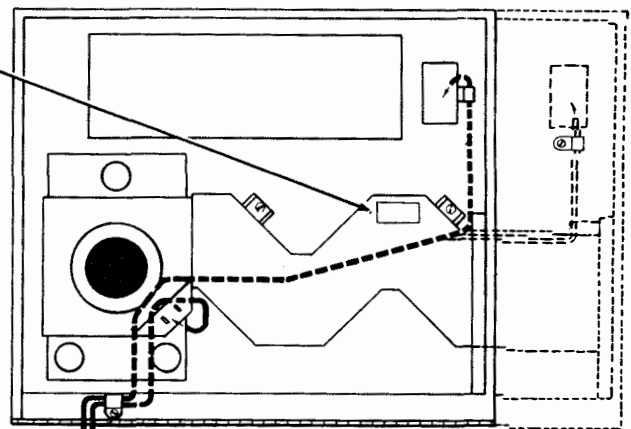


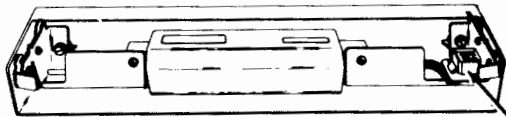
- ⑫ Assemble two 116793 lockwashers, a 401227 terminal tab and a 154249 screw, exactly as shown.



- ⑬ Mark cabinet identification plate with 407024 Modification Kit number.

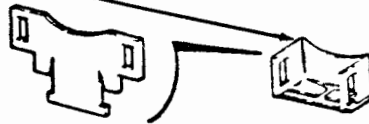
Note: The 346696 shield must be mounted to 40K001 opcon connector when used with this modification kit. If not present refer to the 4 steps on the following page.



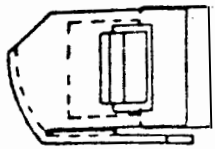
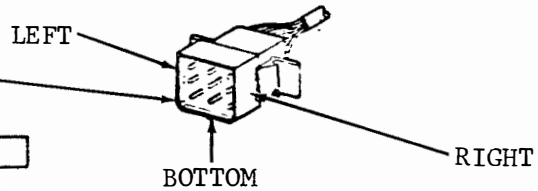


① Remove interface connector from its bracket.

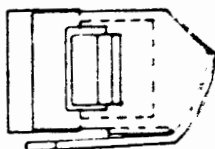
② Fold 346696 shield approximately along the indicated area to assist in installation.



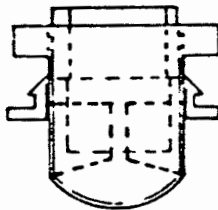
③ Viewing terminal end of connector as shown, place left then right slotted holes over the left and right ears of the connector.



(Left View)

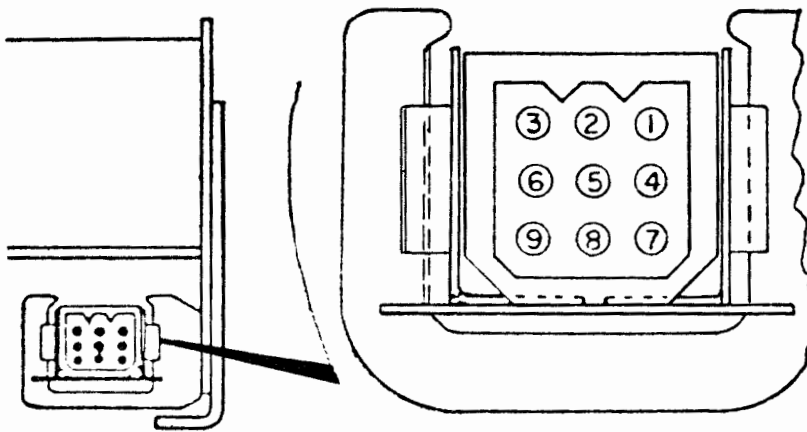


(Right View)

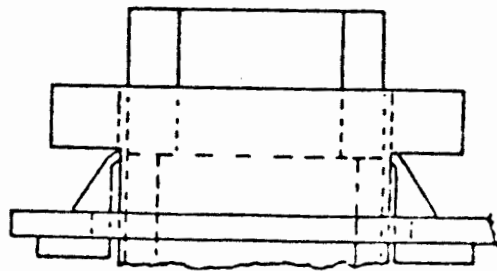


(Bottom View)

④ With all the tabs folded, insert the connector with shield into its mounting bracket so that the tabs of the shield go through the bracket.



(Installed Rear View)



(Installed Bottom View)

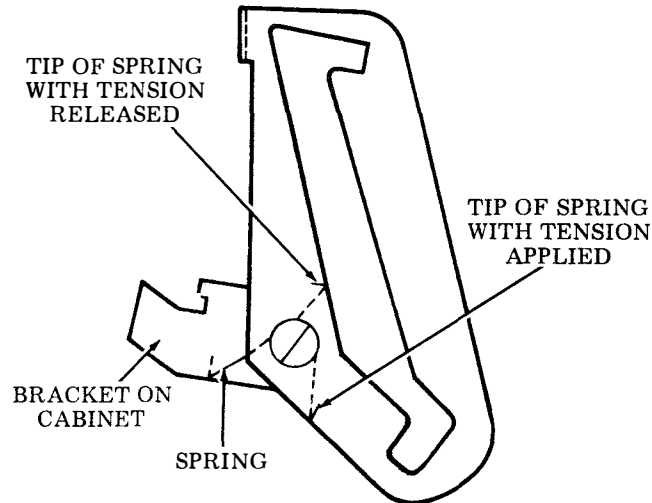
Note: Troubleshooting information for this modification kit can be found in Installation and Servicing Manual 360, Part 4.

NEW LEFT AND RIGHT LATCH ARM INSTALLATION INSTRUCTIONS FOR 40CAB351 SERIES CABINET
- 80 COLUMN -

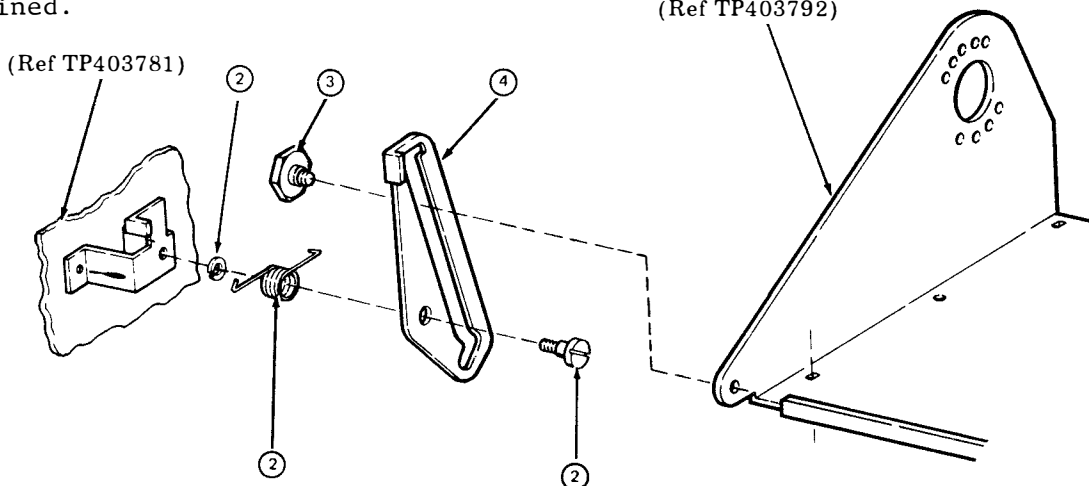
CAUTION: Do not remove right latch arm until new left latch arm is completely installed. Cradle is under great spring tension and could spring up abruptly. causing serious injury to service personnel.

Left and right cradle latches released (pressed inward):

- ① Remove existing TP403787 left latch arm by first releasing tension on the spring. Use appropriate spring hook.

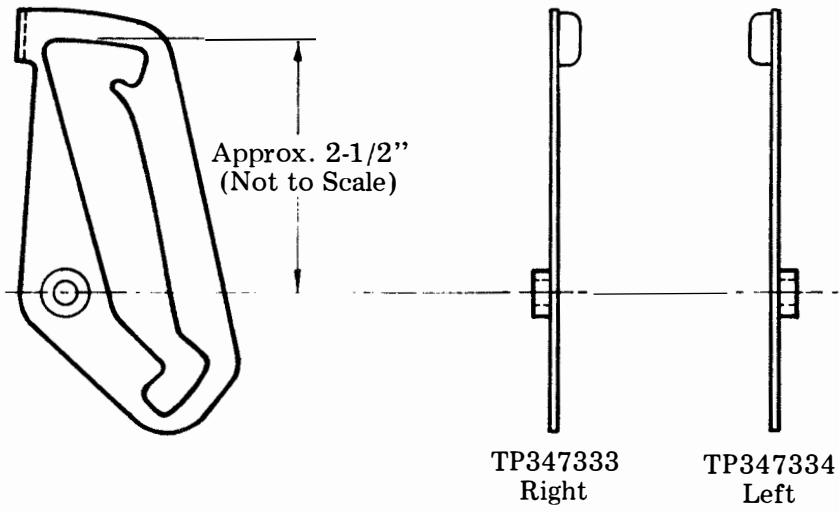


- ② Remove TP403789 screw, TP403889 spring and T0110126 lockwasher.
- ③ Using 3/4 inch open end wrench remove TP403814 shoulder screw.
- ④ Remove Early Design TP403784 left latch arm and replace with Late Design TP347334 left latch arm. Reassembly by reversing installation instructions.
- ⑤ After Late Design TP347334 left latch arm is installed, right side may be dismantled and new latch may be installed following instruction for left side previously explained. (Ref TP403792)

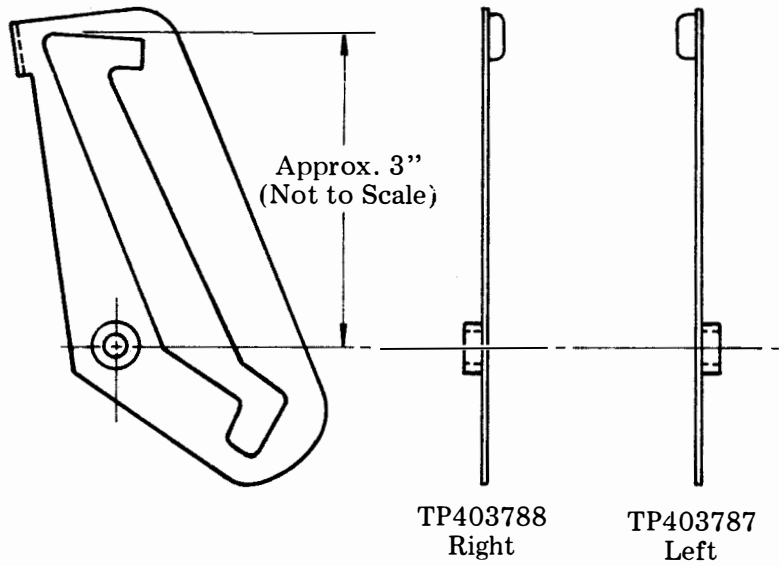


NOTE: Refer to Page 10 for Early and Late Design Part Identification.

LATE AND EARLY DESIGN LATCH ARM IDENTIFICATION



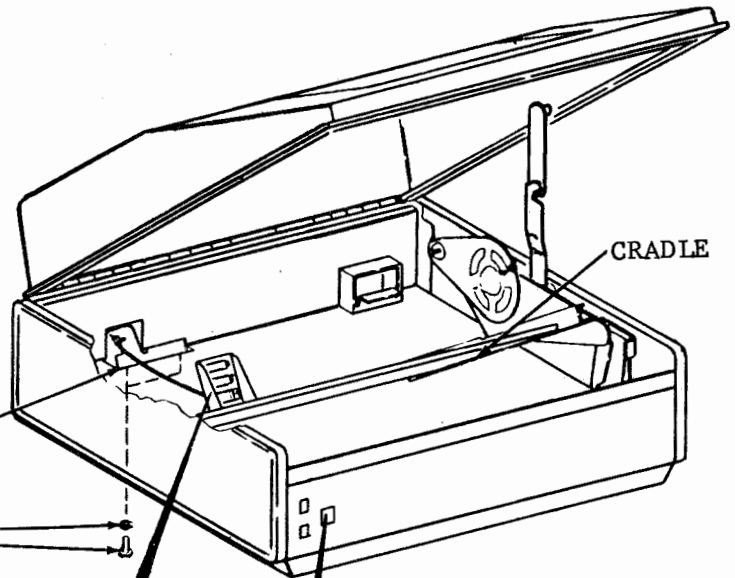
LATE DESIGN LATCH ARMS



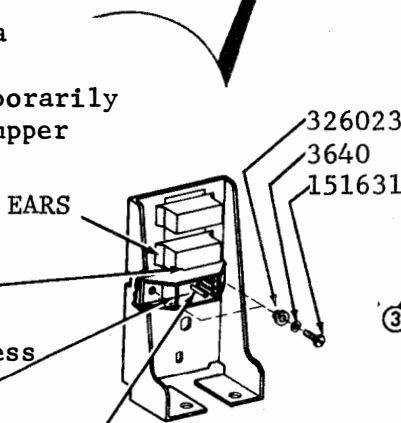
EARLY DESIGN LATCH ARMS

3.03 Installation of 407025 modification kit requires the following steps:

- ① Mount 407075 SSI signal input assembly into cabinet as shown. From bottom of cabinet insert two 151631 screws and two 107116 lockwashers.



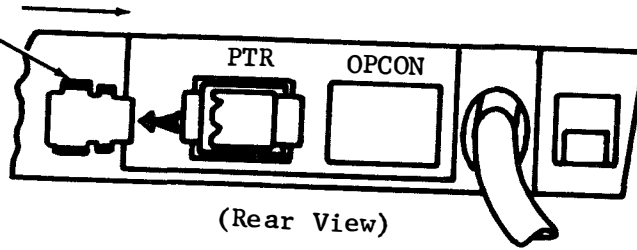
- ② Some cabinets may have a latching mechanism on connector bracket. Temporarily disconnect spring from upper post of bracket. In order to install SSI signal input connector, the middle connector must be temporarily removed. Use a screwdriver to press in ears. Assemble SSI connector into bracket using two 402449 bushings, 3640 lockwashers, and 326023 screws.



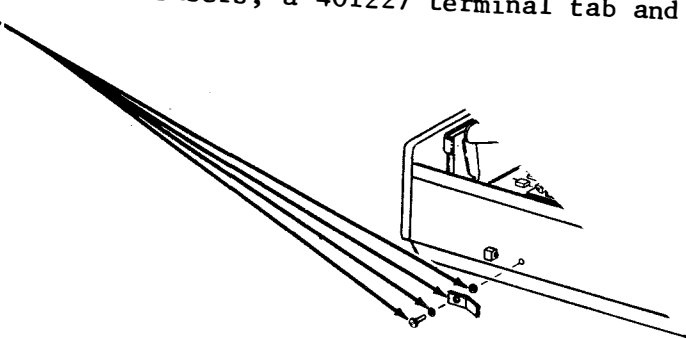
- ③ Insert 401150 connector (keys up) of 403964 opcon cable into cabinet, insert the other connector 401623 into SSI bracket.

CAUTION: INSTALL SIGNAL CABLE CONNECTOR WITH CUT CORNER TO RIGHT AND FOUR TERMINALS IN CONNECTOR MUST BE SEATED ON RIGHT SIDE AS SHOWN. REINSERT MIDDLE CONNECTOR.

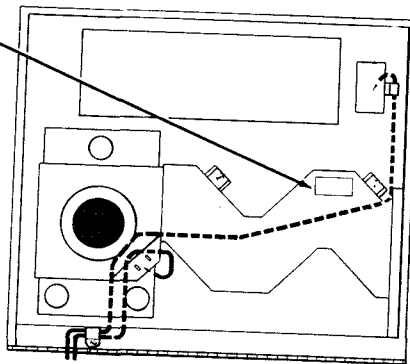
- ④ Install 405609 clip by sliding it over the left edge of the cabinet opening.



- ⑤ Assemble two 116793 lockwashers, a 401227 terminal tab and a 154249 screw, exactly as shown.



- ⑥ Mark cabinet identification plate with 407025 Modification Kit number.

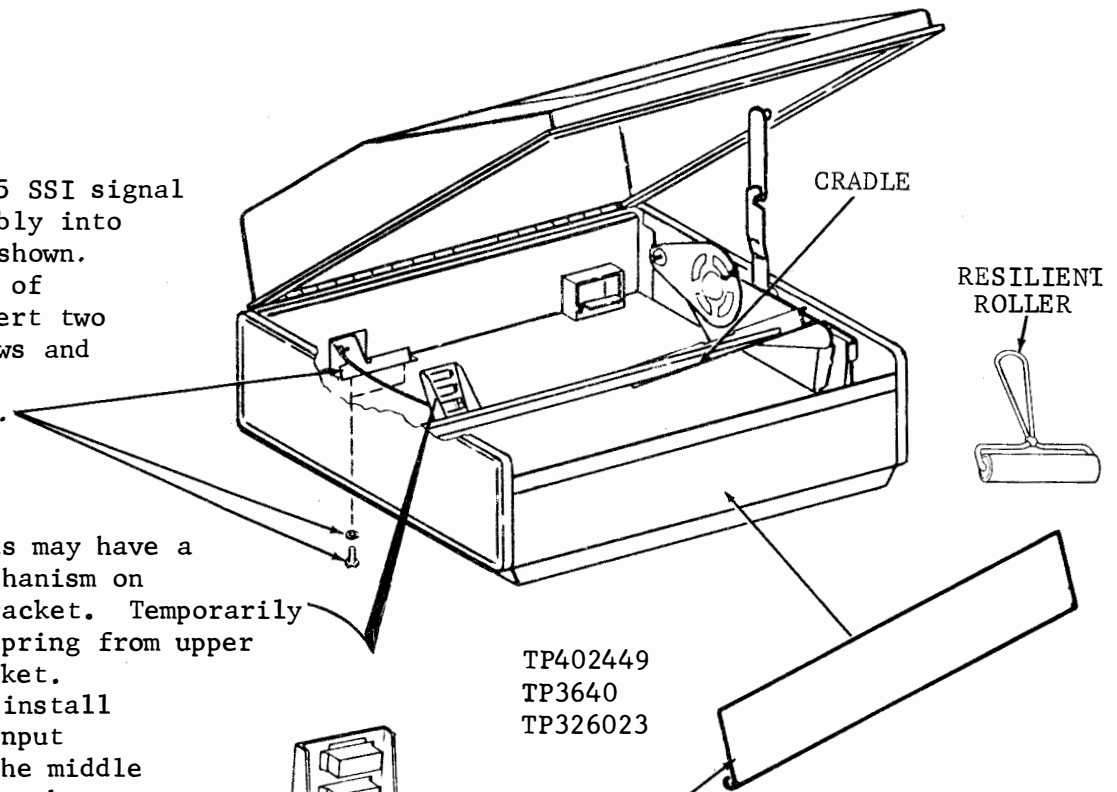


3.04 Installation of 407026 modification kit requires the following steps:

② Mount 407075 SSI signal input assembly into cabinet as shown. From bottom of cabinet insert two 151631 screws and two 107116 lockwashers.

③ Some cabinets may have a latching mechanism on connector bracket. Temporarily disconnect spring from upper post of bracket. In order to install SSI signal input connector, the middle connector must be temporarily removed. Use a screwdriver to press in ears. Assemble SSI connector into bracket using two 402449 bushings, 3640 lockwashers, and 326023 screws.

CAUTION: INSTALL SIGNAL CABLE CONNECTOR WITH CUT CORNER TO RIGHT AND FOUR TERMINALS IN CONNECTOR MUST BE SEATED ON RIGHT SIDE AS SHOWN. REINSERT MIDDLE CONNECTOR.

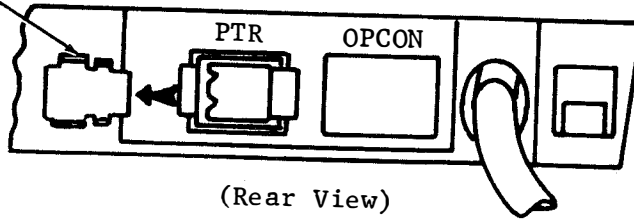


TP402449
TP3640
TP326023

① Remove release paper from the 403828 plate w/adhesive and apply to cabinet as shown making sure top of plate is tangent to cabinet form radius and the clearance at each end of plate is equal as gauged by eye. Secure with resilient roller.

SPECIFICATION 50829S

- ④ Install 405609 clip by sliding it over the left edge of the cabinet opening.



- ⑤ Mark cabinet identification plate with 407026 Modification Kit number.

