

INSTRUCTIONS FOR INSTALLING THE 199934 MODIFICATION
KIT TO PROVIDE A TAPE WINDER (OR UNWINDER) SHELF
ON MODEL 35 ASR SET

1. GENERAL

a. The 199934 modification kit provides a shelf for a tape winder or unwinder located on the front panel under the tape reader on the Model 35 ASR Set.

b. The left foot of the Model 35 ASR Set is used as the shelf mount and a metal tab on the rear of shelf stabilizes it.

c. The 199934 kit consists of:

2	2191	Lockwasher	2	194575	Post, Locating
2	3606	Nut	1	199939	Shelf, Winder
2	7002	Washer, Flat	2	199958	Nut, Acorn
2	55064	Washer, Flat	2	199959	Bolt, Carriage

d. For parts ordering information see Teletype Parts Bulletin 1187B.

2. INSTALLATION (Figures 1 and 2)

a. Locating Posts 194575 are provided for use with tape winder Models TW200, TW203, TW204 and unwinder 146892. For other devices these posts are not used. Fasten the 194575 posts as shown in Figure 1.

b. To mount the 199934 modification kit, insert the 199959 carriage bolts and fasten loosely with 199958 acorn nuts.

c. Slide the shelf onto the left foot of the M35 ASR set and push the tab on the rear of the shelf into the opening between the left side of the cabinet and the front panel.

d. Tighten the 199958 acorn nuts.

* * *

RTTY ELECTRONICS
~~TELETYPE=Sales-Service-Parts~~
PO Box 20101 El Sobrante, Ca.
94820. (510)222-3102
mr_rtty@pacbell.net

503785

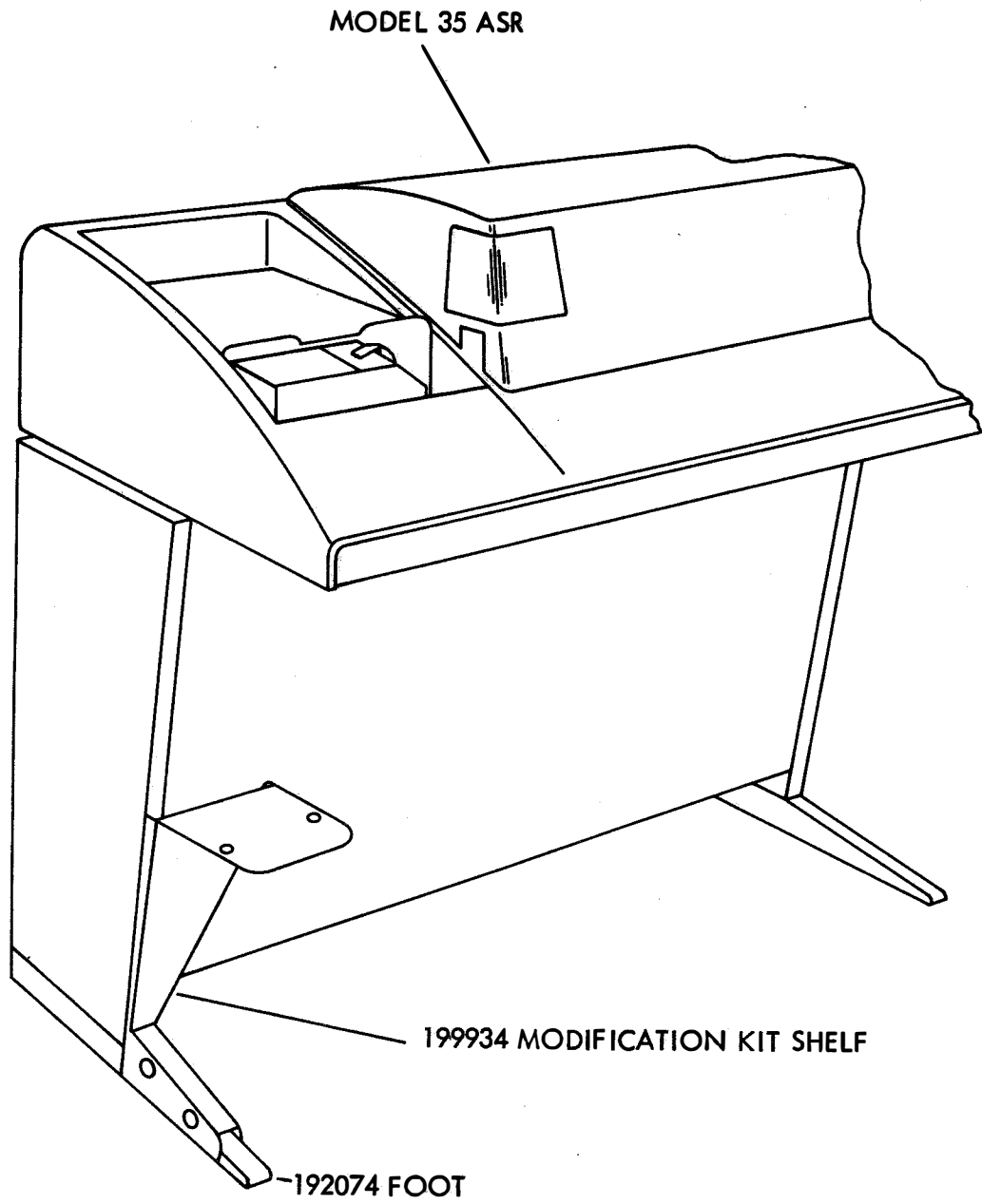


FIGURE 1

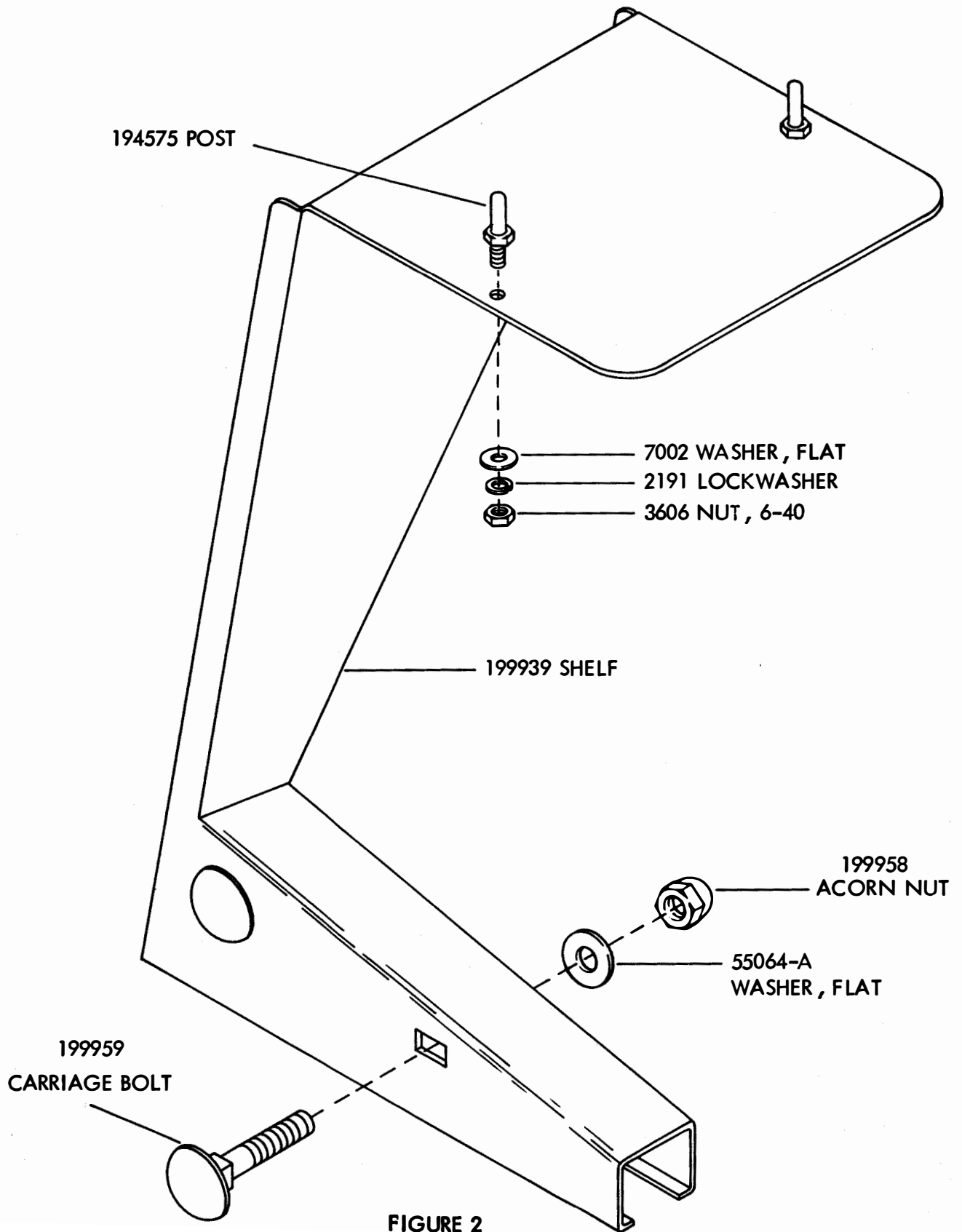


FIGURE 2