

SENDING STATION  
NO.14 TYPE EQUIPMENT  
(SEE NOTE 1)

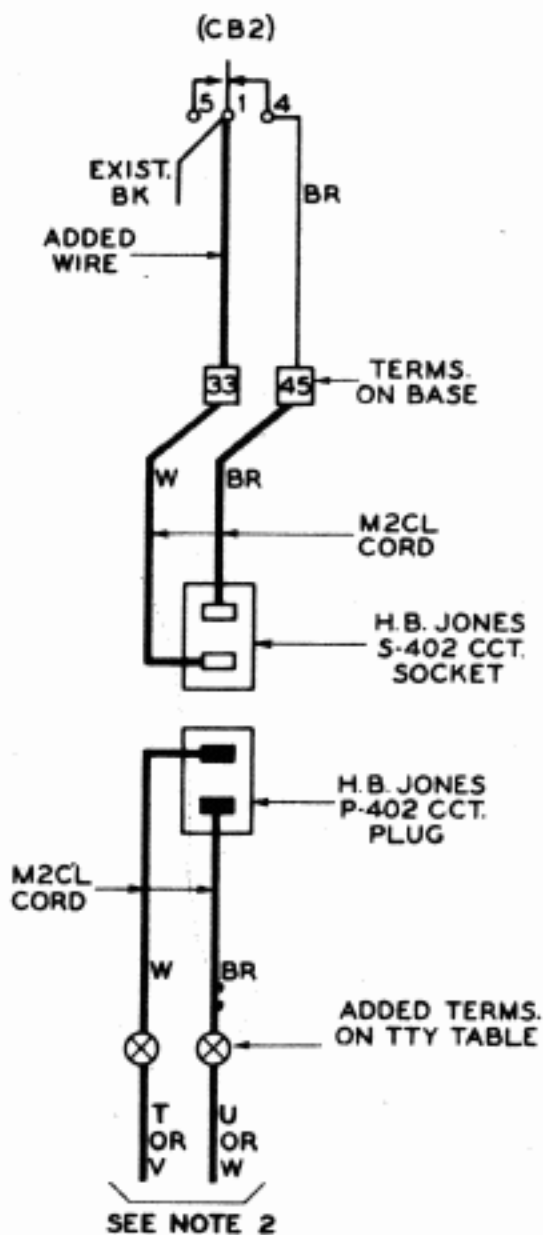


FIG. A

SENDING STATION  
NO.15 & 19 TYPE EQUIPMENT  
(SEE NOTE 1)

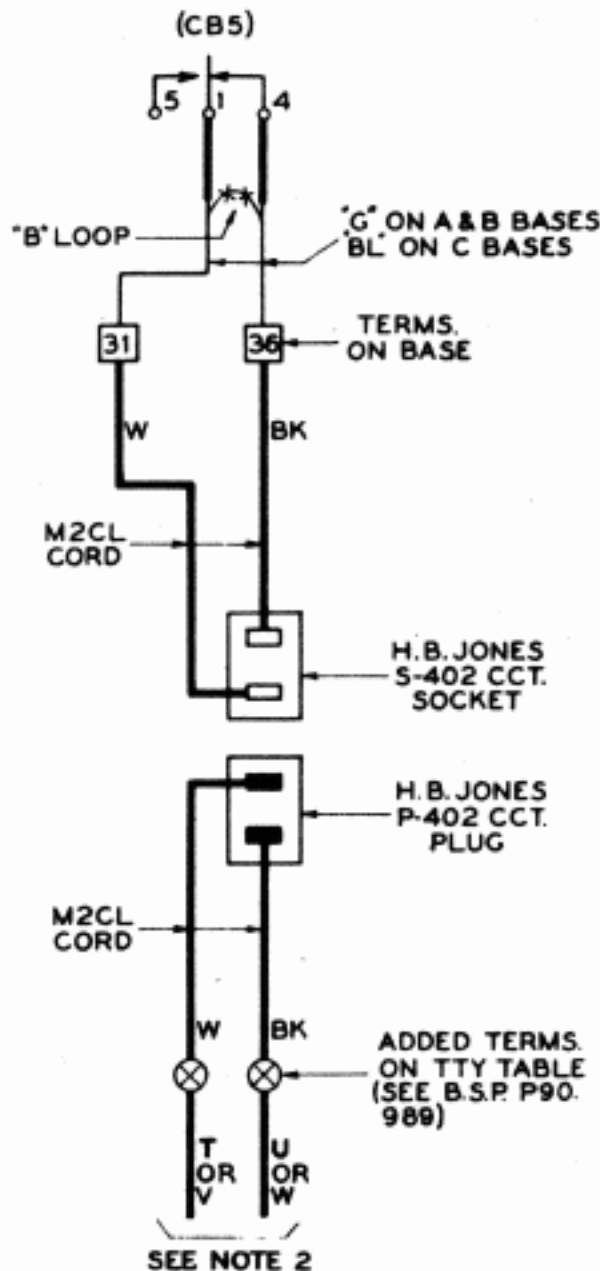


FIG. B

NOTES

1. UNLESS OTHERWISE SPECIFIED  
USE STANDARD LINE AND POWER WIRING  
ARRANGEMENTS FOR 14, 15 AND 19 TYPE  
TELETYPEWRITERS

2. TO FIG. 2 OR 2A BSP P90. 980 AND P90. 981.  
SEE NOTES IN THOSE BSP SECTIONS FOR APPLICATIONS

-KEY-

- EXISTING WIRES
- ADDED WIRES
- X X — CHANGED OR REMOVED WIRES

MATERIAL

- 2- M2CL CORDS
- 1- H.B. JONES P-402-CCT PLUG
- 1- H.B. JONES S-402-CCT SOCKET

SWITCHING ARRANGEMENTS

60 TYPE SELECTOR  
SELECTIVE CALLING ARRANGEMENT  
TELETYPEWRITER MODIFICATIONS AND CONNECTIONS  
NO 14, 15 AND 19 TYPE EQUIPMENT  
SENDING STATIONS