

MATERIAL LIST
FOR MANUFACTURER
ITEMS TO BE OBTAINED FROM
WESTERN ELECTRIC CO.!

- 1- 237A JACK MOUNTING
- 2- 303A JACKS
- 2- KS 7993 CORDS OR EQUIVALENT
- 5FT.-4 CONDUCTOR 22 GAUGE, BROWN INSIDE TELEPHONE WIRE

ITEMS TO BE PROVIDED LOCALLY

- 1- DETAIL PER FIG.1 OR FIG. 1A (SEE NOTE 13)
- 1- DETAIL PER FIG. 2
- 1- DETAIL PER FIG. 3
- 1- DETAIL PER FIG. 4(SEE NOTE 13)
- 2- APPLETON 4CS 1/2" CONDUIT BOXES
- 1- APPLETON 2510 CONDUIT BOX COVER
- 1- HUBBELL 7053 RECEPTACLE
- 1- BUSSMAN SOU FUSETRON MOUNTING
- 4- APPLETON BL-50 LOCK NUTS
- 1- HUBBELL 112 CORD GRIP
- 1- 1/2" CLOSE NIPPLE
- 1- SNAP PLUG FOR 2 1/4" HOLE (SEE NOTES 3 & 6)
- 2- # 8-32 X 2" PAN OR BINDING HEAD SCREWS
- 4- # 8-32 X 1/2" " " " " " "
- 7- # 10 X 1/2" " " " " " " SELF TAPPING SCREWS
- 7- # 10 X 1" ROUND HEAD WOOD SCREWS
- 6- # 8-32 NUTS
- 6- # 8 FLAT WASHERS
- 6- # 8 LOCK WASHERS

OR
EQUIVALENT

FOR INSTALLER

- 1- KS 7993 CORD (SEE FIG E)
- 2- #6-32 X 1" ROUND HEAD MACHINE SCREWS (P-160750)(SEE NOTE 4)
- 3- #6-32 HEXAGONAL NUTS (P-125952)(SEE NOTE 4)
- 1- #6-32 X 1/2" ROUND HEAD MACHINE SCREWS (P-125949)(SEE NOTE 4)
- 1- FUSETRON AS REQUIRED
- 1- M2CN CORD E/W 347A PLUG
- 1- M2CN CORD E/W 347B PLUG
- 1- M3AY CORD (2'9") E/W HUBBELL 7055 CAP
- 1- M2DG CORD (2'6") E/W HUBBELL 7092 CAP
- 2- 12F CONNECTING BLOCKS (SEE NOTE 12)

NOTES (CONT.)

- 4. APPLICABLE ONLY TO BRACKETS MANUFACTURED PRIOR TO ISSUE 8 OF THIS DRAWING.

NOTES

INSTRUCTIONS FOR INS

- 1 BEFORE CENTER PUNCHING FOR DRILLING FIG. C, PLACE BRACKET IN PROPOSED POSITION WITH LEFT EDGE OF TRANSMITTER-DISTRIBUTOR PLATE AND CHECK DRILL HOLES AGAINST DRAWING TO MANUFACTURE. MAKE CHANGES TO DRAWING FOR SPOT FOR SCREW HOLE IN LOWER PANEL.
- 2 SECURE BRACKET TO STEEL TABLE WITH SELF TAPPING SCREWS AND WASHERS USING #10 X 1" RHW SCREWS
- 3 SINCE ONLY ONE CORD HOLE WILL BE USED IN SECOND ONE WITH THE SNAP PLUG.
- 4 IF TAPE WINDER IS TO BE MOUNTED ON TABLE USE DETAIL PER FIG. 3. SECURE TAPE WINDER USING TWO #6-32 X 1" R.H.M. SCREWS AND # 6-32 HEX. NUTS (P-125952). PUT TAPE WINDER UNDER PAD AND SO POSITIONED THAT TAPE LINE WITH THE TAPE EMERGING FROM REAR OF TABLE DETERMINE DESIRED LOCATION OF TAPE WINDER AT POINT "A" IN MAIN BRACKET WITH SELF TAPPING SCREW WITH #6 X 1/2" R. H. M. SCREW. (P-125949) CAUTION: DO NOT INSTALL TOWARD TRANSMITTER-DISTRIBUTOR UNLESS SO SPECIFIED.
- 5 THE REPERFORATOR OR THE TYPING REPERFORATOR IS TO BE POSITIONED SO THAT THE TAPE WILL EMERGE TO THE LEFT OR TO THE FRONT.
- 6 PROVIDE THIS BUTTON IF BRACKET IS MOUNTED ON WOODEN TABLE
- 7 IF IMPRACTICABLE TO PROVIDE THIS BUTTON A NOTCH 3/4" DEEP AND 1 1/2" WIDE IN LINE WITH TAPE EMERGING FROM TRANSM.-DIST.
- 8 USE DETAIL PER FIG. 4 WHERE TABLE IS INVOLVED. USE SELF TAPPING SCREWS TO METAL AND WOOD SCREWS FOR WOODEN TABLES.
- 9 OMIT REAR GRILL OF 19A TABLE AND REAR GRILL OF TABLE OR WHERE GRILL IS REQUIRED IN TABLE TOP APPROX. 2 1/2" FROM REAR EDGE FROM LEFT EDGE FOR CORD AND WINDER.
- 10 IN WOODEN TABLES, THESE THREE SCREWS SHOULD NOT PENETRATE TABLE TOP. (SEE NOTE 12)
- 11 WHERE LOCAL RULES OR REGULATIONS REQUIRE GROUND WIRE OR WHERE ONE MAY BE INDICATED IN DRAWING FRAME TO GROUND LUG ON TABLE OR TO GROUND SINGLE CONDUCTOR CORDAGE PER FIG. 10.
- 12 WHEN 19A TABLE IS INVOLVED IN INSTALLATION ON INSIDE OF RIGHT PANEL (VIEW 1) IT SHOULD BE LEVEL AS TWO LOWER EXISTING TABLES (FIGS. 10-15) AND CONNECT TO 10, 12, 13, & 15.
- 13. FIG. 1 & FIG. 4 MADE MD. IF ANY TABLE IS MADE OF METAL AS WELL AS FOR WOODEN TABLES.

TELETYPEWRITER SYSTEMS

19A, XRT 205, XRT 206 AND
 XT 201 TTY TABLES
 BRACKET FOR MOUNTING EITHER
 A NON-TYPING OR TYPING REPERFORATOR
 OVER THE TRANSMITTER-DISTRIBUTOR

NOTES
INSTRUCTIONS FOR INSTALLER

(REPRODUCED FROM
DWG. 23206-105)

- 1 BEFORE CENTER PUNCHING FOR DRILLINGS SHOWN IN FIG. C, PLACE BRACKET IN PROPOSED POSITION FLUSH WITH LEFT EDGE OF TRANSMITTER-DISTRIBUTOR MOUNTING PLATE AND CHECK DRILL HOLES AGAINST ANY VARIATIONS DUE TO MANUFACTURE. MAKE CHANGES FOUND NECESSARY ALSO SPOT FOR SCREW HOLE IN LOWER PART OF REAR PANEL.
- 2 SECURE BRACKET TO STEEL TABLE USING #10 X 1/2" PAN (BINDING) HEAD SELF TAPPING SCREWS AND TO WOODEN TABLE USING #10 X 1" RHW SCREWS
- 3 SINCE ONLY ONE CORD HOLE WILL BE USED, CLOSE THE SECOND ONE WITH THE SNAP PLUG.
- 4 IF TAPE WINDER IS TO BE MOUNTED ON THE BRACKET, USE DETAIL PER FIG. 3. SECURE TAPE WINDER TO THE DETAIL USING TWO #6-32 X 1" R. H. M. SCREWS (P-160750) AND TWO #6-32 HEX. NUTS (P-125952). PUT FREE END OF ASSEMBLY UNDER PAD AND SO POSITIONED THAT THE REEL WILL BE IN LINE WITH THE TAPE EMERGING FROM THE MACHINE. DETERMINE DESIRED LOCATION OF TAPE WINDER, DRILL HOLE AT POINT "A" IN MAIN BRACKET WITH #20 DRILL, FASTEN WITH #6 X 1/2" R. H. M. SCREW. (P-125949)
CAUTION: DO NOT INSTALL TOWARD FRONT OF BRACKET UNLESS SO SPECIFIED.
- 5 THE REPERFORATOR OR THE TYPING-REPERFORATOR CAN BE POSITIONED SO THAT THE TAPE WILL EMERGE EITHER TO THE LEFT OR TO THE FRONT.
- 6 PROVIDE THIS BUTTON IF BRACKET IS RECOVERED
- 7 IF IMPRACTICABLE TO PROVIDE THIS CORDHOLE LOCALLY, IT WOULD BE SATISFACTORY TO NOTCH THE GRILL ABOUT 3/4" DEEP AND 1 1/2" WIDE IN LINE WITH THE CENTER OF THE TRANS.-DIST.
- 8 USE DETAIL PER FIG. 4 WHERE 19A OR OTHER WOODEN TABLE IS INVOLVED. USE SELF TAPPING SCREWS FOR METAL TO METAL AND WOOD SCREWS FOR METAL TO WOOD. (SEE NOTE 14)
- 9 OMIT REAR GRILL OF 19A TABLE AND PASS CORD OVER EDGE OF TABLE OR WHERE GRILL IS REQUIRED, BORE A 5/8" HOLE IN TABLE TOP APPROX. 2 1/2" FROM REAR EDGE AND 4" FROM LEFT EDGE FOR CORD AND WIRING.
- 10 IN WOODEN TABLES, THESE THREE SCREWS CAN BE ALLOWED TO PENETRATE TABLE TOP. (SEE NOTE 14)
- 11 WHERE LOCAL RULES OR REGULATIONS REQUIRE A GROUND WIRE OR WHERE ONE MAY BE INDICATED, CONNECT TTY FRAME TO GROUND LUG ON TABLE USING A LENGTH OF 18GA SINGLE CONDUCTOR CORDAGE PER KS15141 OR EQUIVALENT.
- 12 WHEN 19A TABLE IS INVOLVED INSTALL 2-12F CONN. BLKS ON INSIDE OF RIGHT PANEL (VIEWED FROM REAR) AT SAME LEVEL AS TWO LOWER EXISTING BLOCKS. NUMBER TERMS. 10-15 AND CONNECT TO 10, 12, 13, & 15.
13. FIG. 1 & FIG. 4 MADE MD. IF ANY ARE TO BE USED APPLY FIG. A FOR METAL AS WELL AS FOR WOODEN TABLES.

ST
ER
D FROM
CO.!

IT
ROWN INSIDE TELEPHONE

LLY
SEE NOTE 13)

3)
BOXES
COVER
MOUNTING }
OR
EQUIVALENT

SEE NOTES 3 & 6)
HEAD SCREWS
" "
" SELF TAPPING SCREWS
SCREWS

CHINE SCREWS
NOTE 4)
25952)(SEE NOTE 4)
CHINE SCREWS
NOTE 4)

ELL 7055 CAP
ELL 7092 CAP
E NOTE 12)

MANUFACTURED
VING.

TELETYPEWRITER SYSTEMS
19A, XRT 205, XRT 206 AND
XT 201 TTY TABLES
BRACKET FOR MOUNTING EITHER
ON - TYPING OR TYPING REPERFORATOR
OVER THE TRANSMITTER-DISTRIBUTOR

66
File

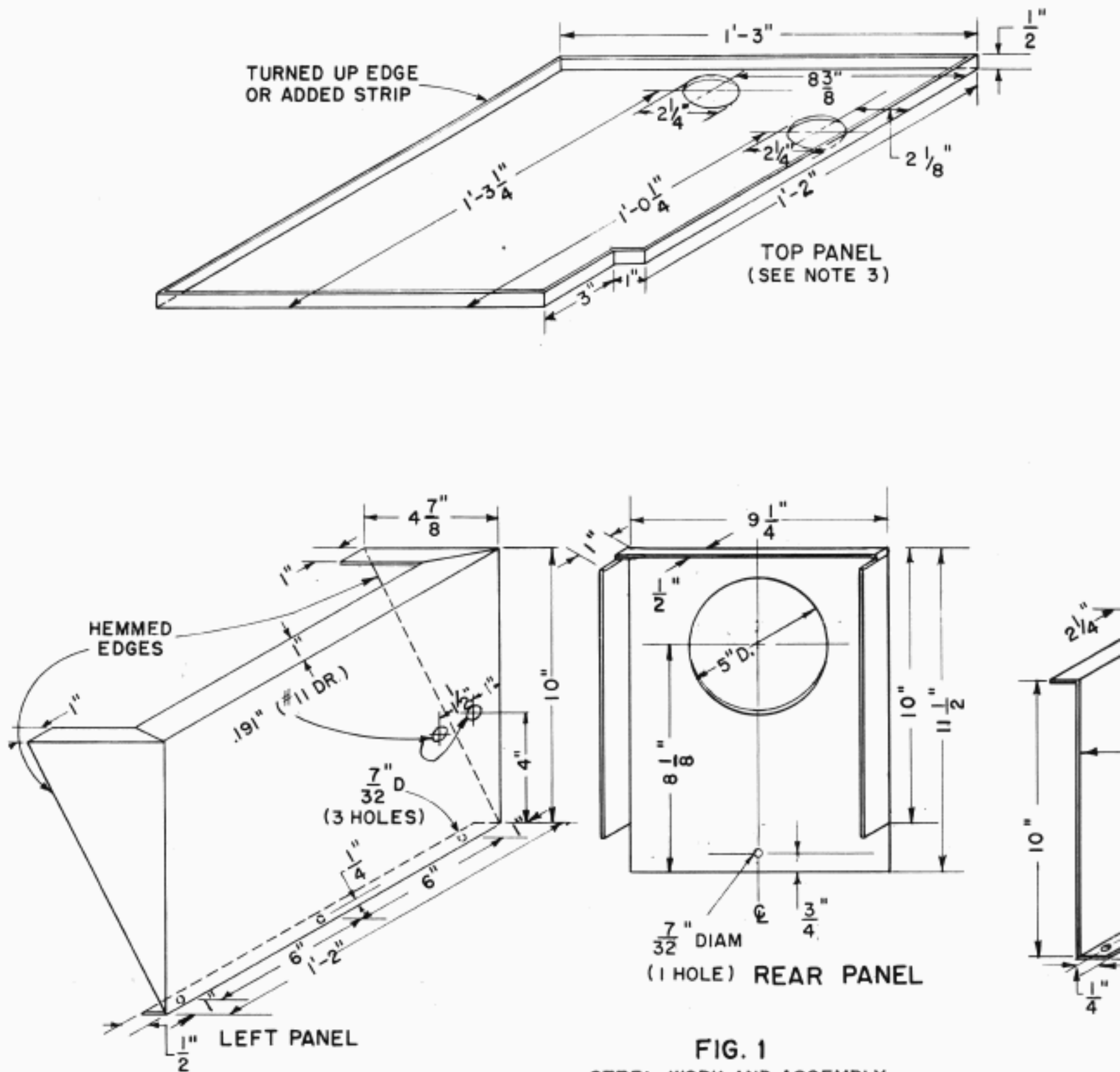


FIG. 1
STEEL WORK AND ASSEMBLY
MD (SEE NOTE 13)

NOTES ON FIG. 1 & 1A

RAW EDGES SHALL BE FREE FROM SLIVERS AND SLIGHTLY ROUND ALL OUTSIDE CORNERS
ALL JOINTS TO BE WELDED AND FLANGES TO BE NOT LESS THAN 1" DEEP, EXCEPT AS NOTED

MATERIAL

16GA OR 1/16" SHEET IRON OR EQUIVALENT

FINISH

DARK BROWN WRINKLE, EXTERIOR. DARK BROWN GROUND, INTERIOR (# 577 FINISH PER LRM 2164) OR GRAY GREEN WRINKLE, EXTERIOR. GRAY GREEN GROUND, INTERIOR (# 575 FINISH PER LRM 2162) OR AS OTHERWISE SPECIFIED

SWITCH BOXES

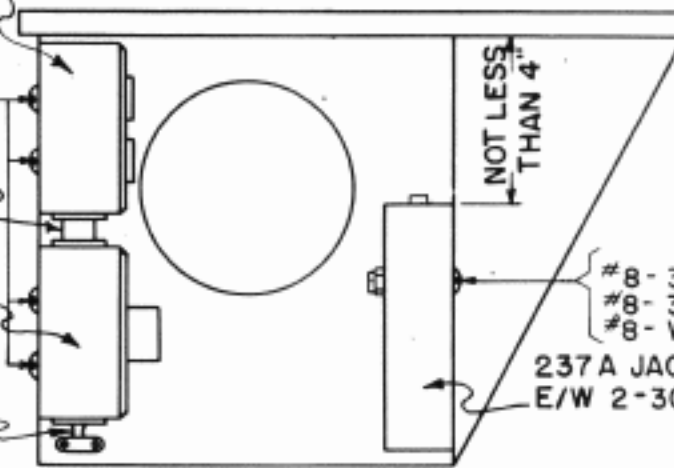
LOCATE BOXES APPROX. 1/2" FROM REAR PANEL AND USE BOXES AS TEMPLATE FOR MOUNTING HOLES

NOTE ON FIG. 2

FELT SHALL BE DARK GRAY, SAE F13 WITH 10% SURFACE SIZING. CAN BE OBTAINED FROM AMERICAN FELT CO. GLENVILLE, CONN.

APPLETON 4C S 1/2 CONDUIT BOX
 APPLETON 2510 CONDUIT BOX COVER
 HUBBELL 7053 RECEPTACLE
 # 8-32 X 1/2" SCREWS
 # 8-32 NUTS
 # 8- WASHERS
 1/2" CLOSE NIPPLE (1)
 T & B 141 OR APPLETON BL-50
 LOCK NUTS (4)
 APPLETON 4C S 1/2 CONDUIT BOX
 BUSSMAN SOU FUSE TRON MTG.
 (SEE NOTES ON FIG 1)
 HUBBELL 112 CORD GRIP OR EQUIV.

SEE NOTES
 ON FIG. 1



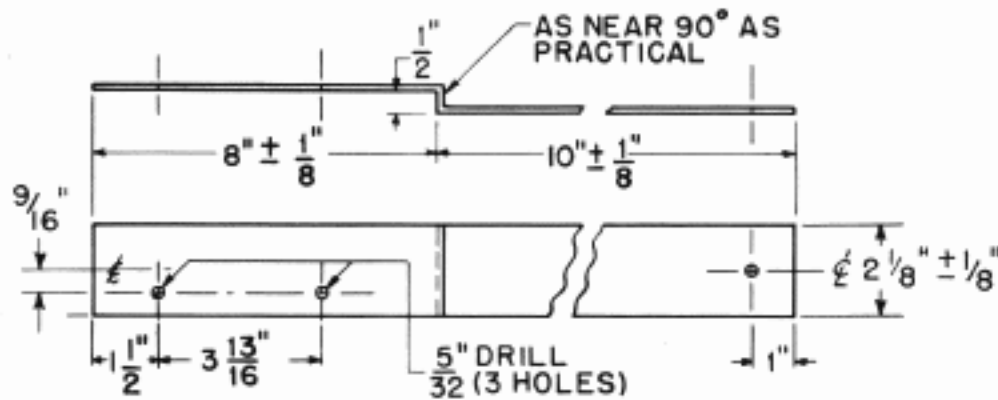
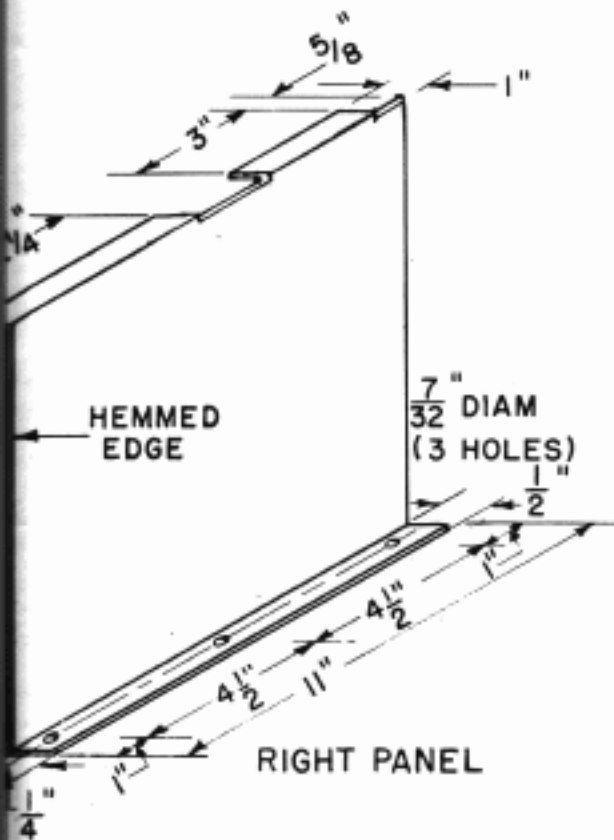
NOTE ON FIG. B
 FITTINGS SHALL BE LOCATED
 APPROXIMATELY 1/4" IN FROM REAR
 EDGE OF BRACKET. USE FITTINGS A
 TEMPLATES FOR LOCATING MOUNTI
 HOLES.

TAPE WINDER BR
 PER FIG. 3. SEE
 AND NOTE 5

FIG. B

REAR VIEW
 ASSEMBLY OF LOOP AND
 POWER FITTINGS
 (REAR PANEL REMOVED)

LEFT PANEL &
 LEFT EDGE OF
 TOP PANEL TO
 BE FLUSH



SEE NOTE

FIG. 3

TAPE WINDER SUPPORT
 FOR USE WITH FIG. 1 ONLY

MATERIAL

1/8" COLD ROLLED OR HOT ROLLED STEEL

AUX
 PER
 (SE

2
 (3

7
 32
 (3

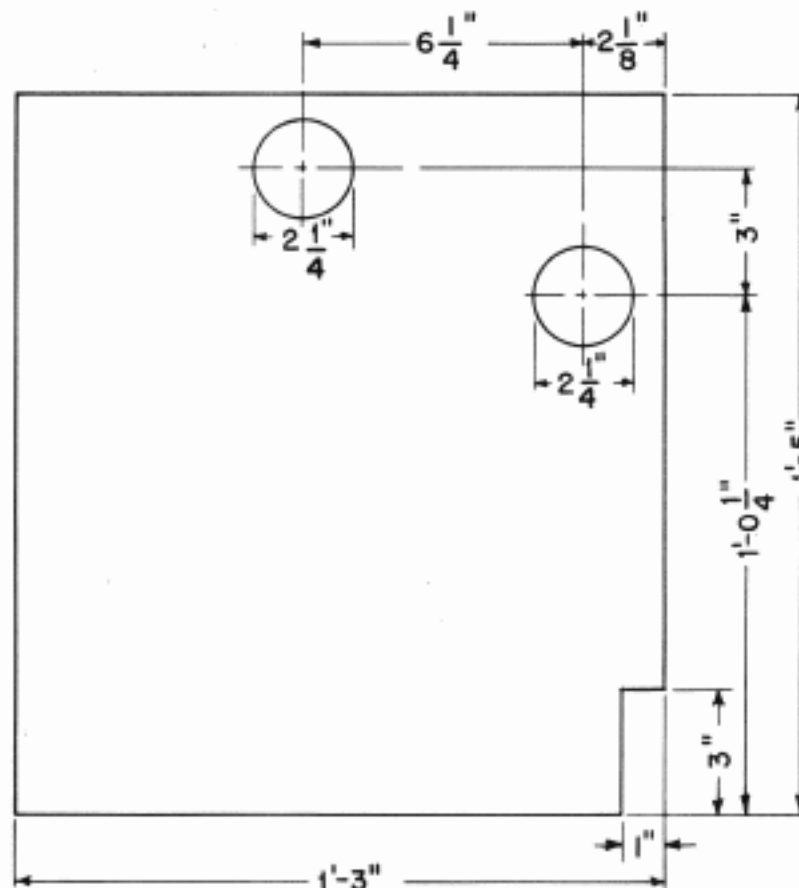
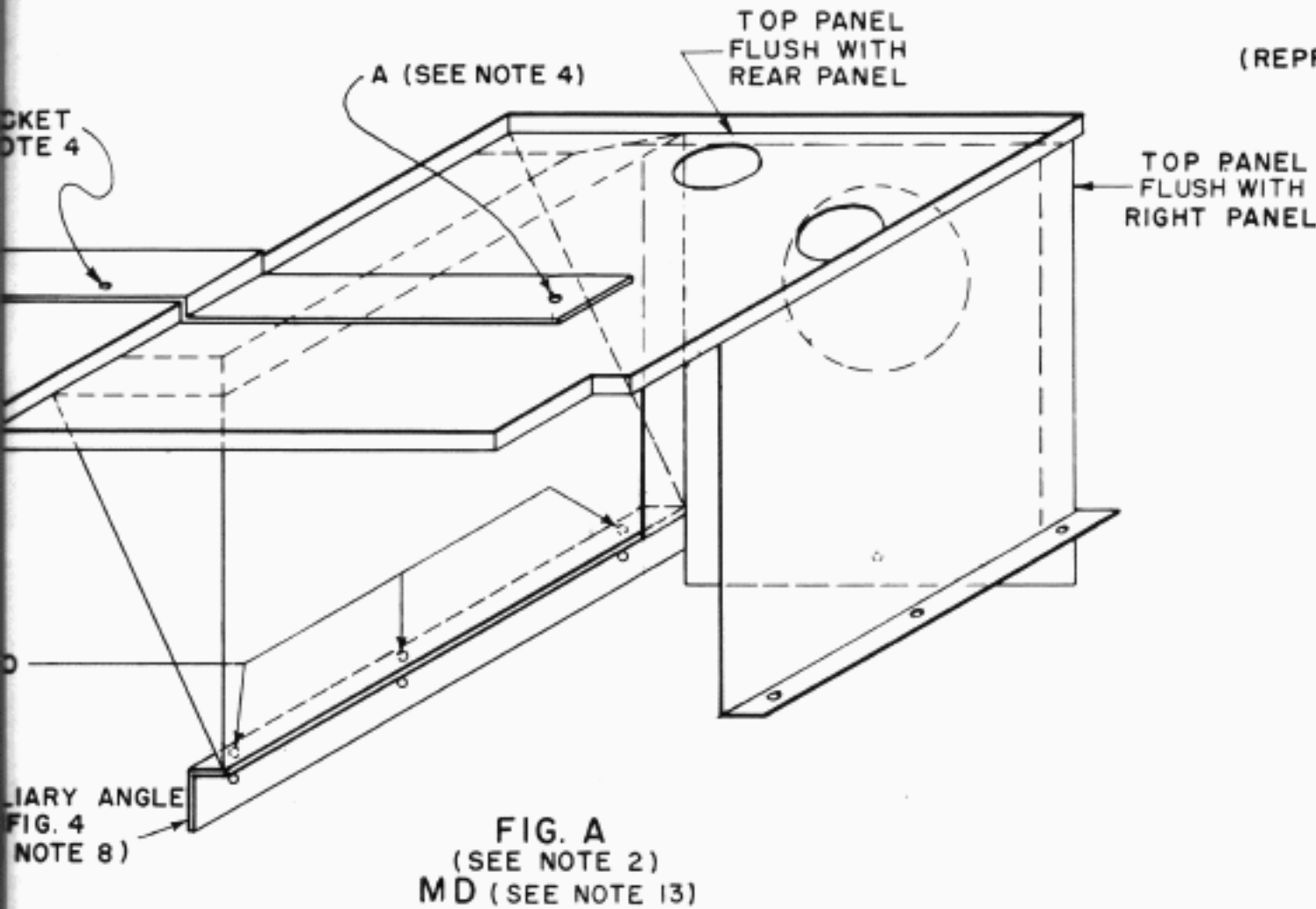


FIG. 2

FELT PAD
 (1/2" THICK GREY FELT)

(REPRODUCED FROM DWG. 23206-105)



CHANGES

- ISSUE C - MADE APPLICABLE FOR USE ON ALL STEEL & 19A TABLES.
- ISSUE D - ADDED NOTE II, ADDED GP1 & GP2 TO MATERIAL LIST. ADDED NOTCH IN RIGHT FRONT CORNER. CHANGED MATERIAL IN FIGS 1 & 3
- ISSUE E - ARRANGED DETAILS FOR OUTSIDE MANUFACTURE
- ISSUE F - MADE FIGS 1, 4 & A MD ADDED FIG 1A & A-1 ADDED NOTE 13. CHANGED DRILLING ON LEFT EDGE OF FIG. C

FIG. A
(SEE NOTE 2)
MD (SEE NOTE 13)



FIG. 4
AUXILIARY ANGLE
(FOR USE ONLY WITH 19A OR
OTHER WOODEN TABLE)
MD (SEE NOTE 13)

TELETYPEWRITER SYSTEMS
19A, XRT 205, XRT 206 AND
XT 201 TTY TABLES
BRACKET FOR MOUNTING EITHER
A NON-TYPING OR TYPING REPERFORATOR
OVER THE TRANSMITTER-DISTRIBUTOR

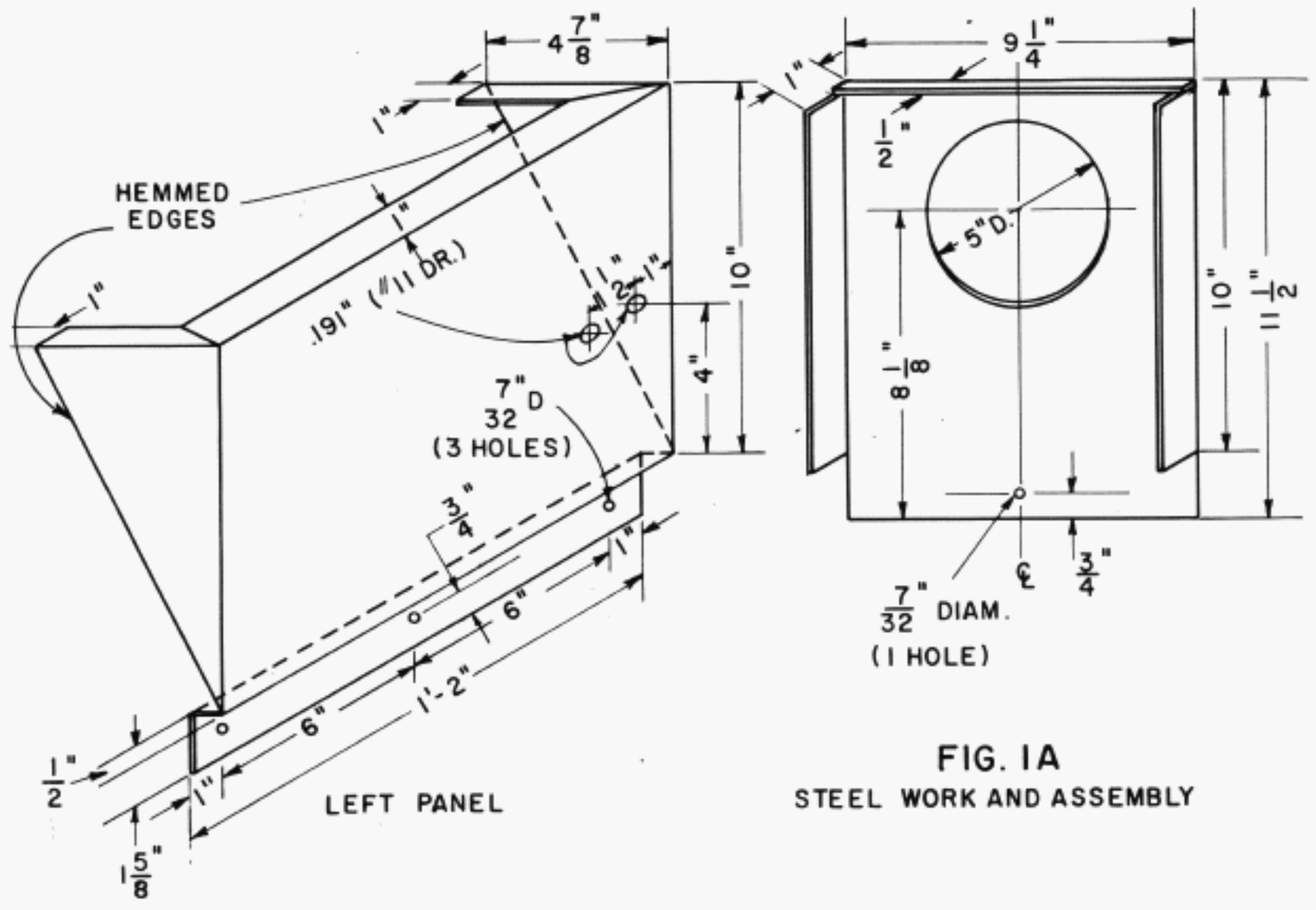
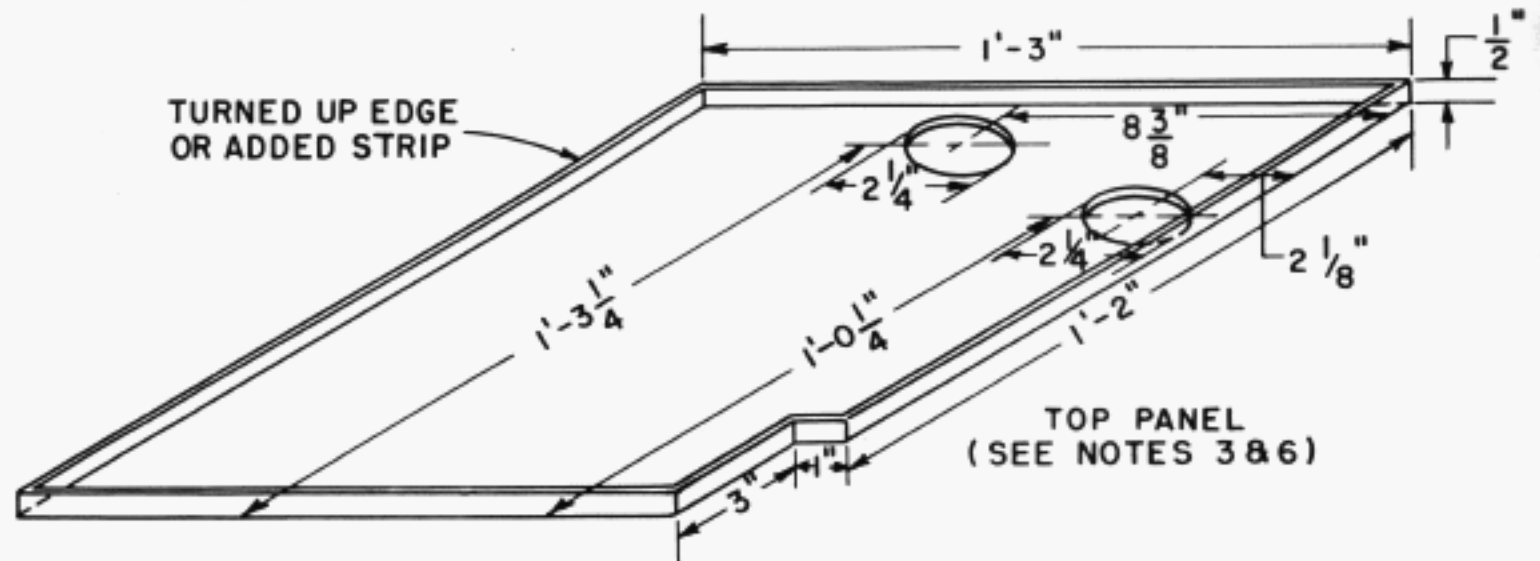
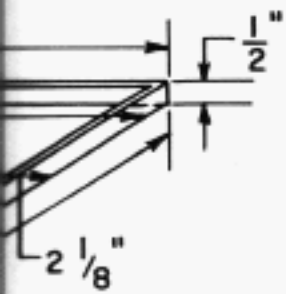
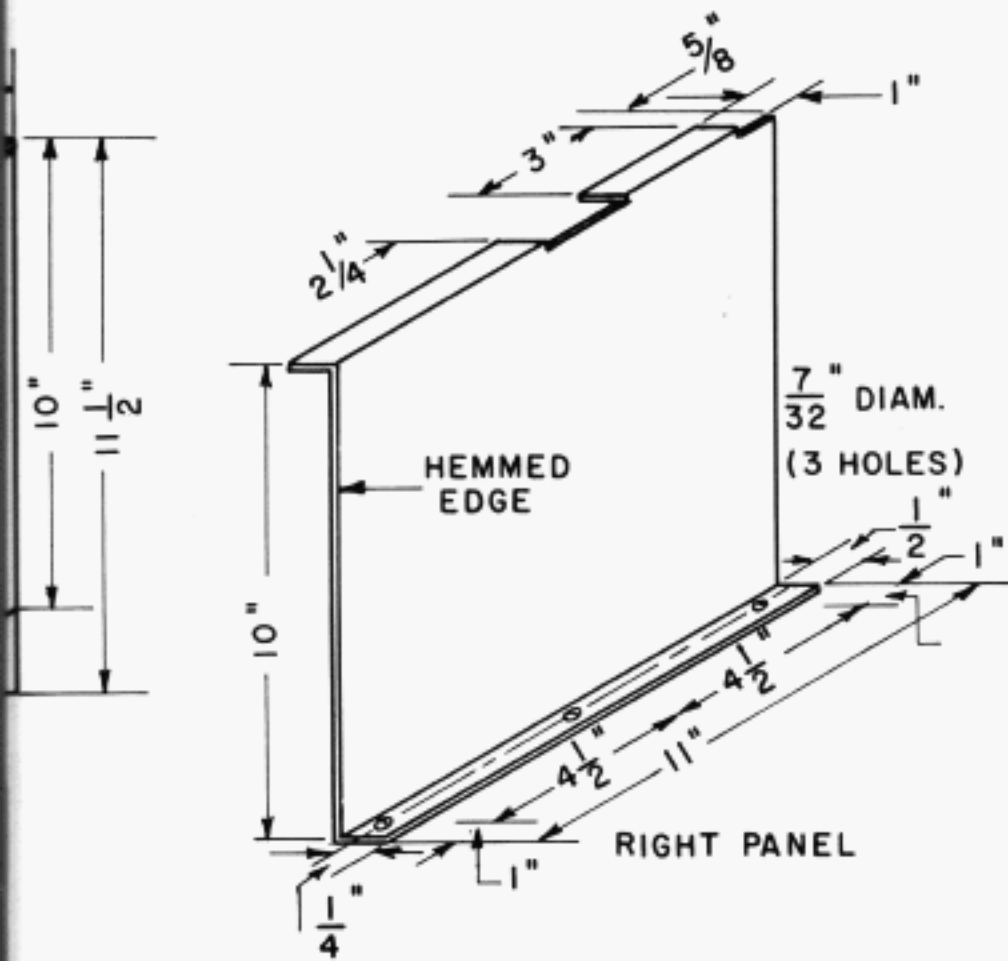


FIG. 1A
STEEL WORK AND ASSEMBLY



6)



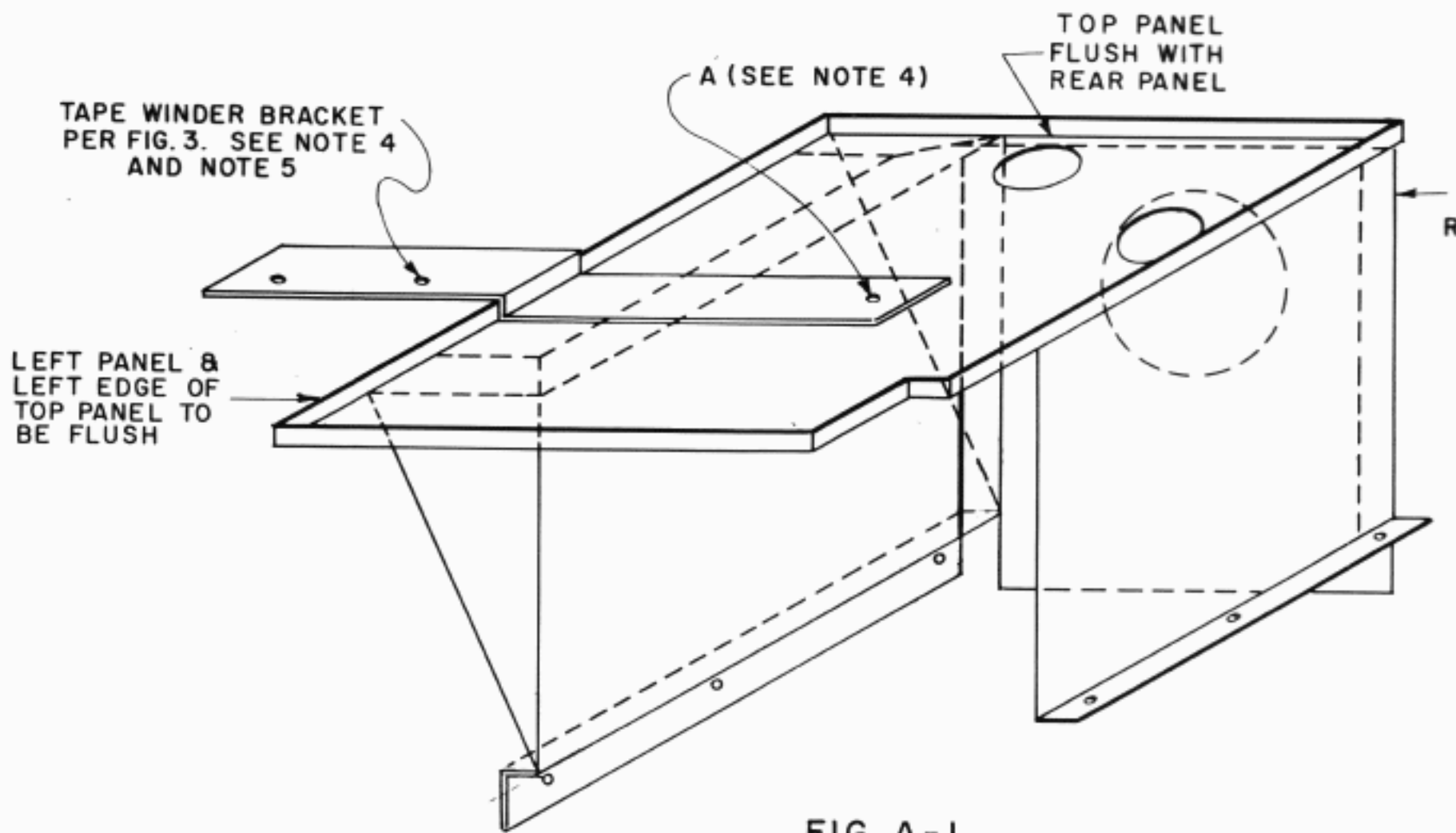


FIG. A-1

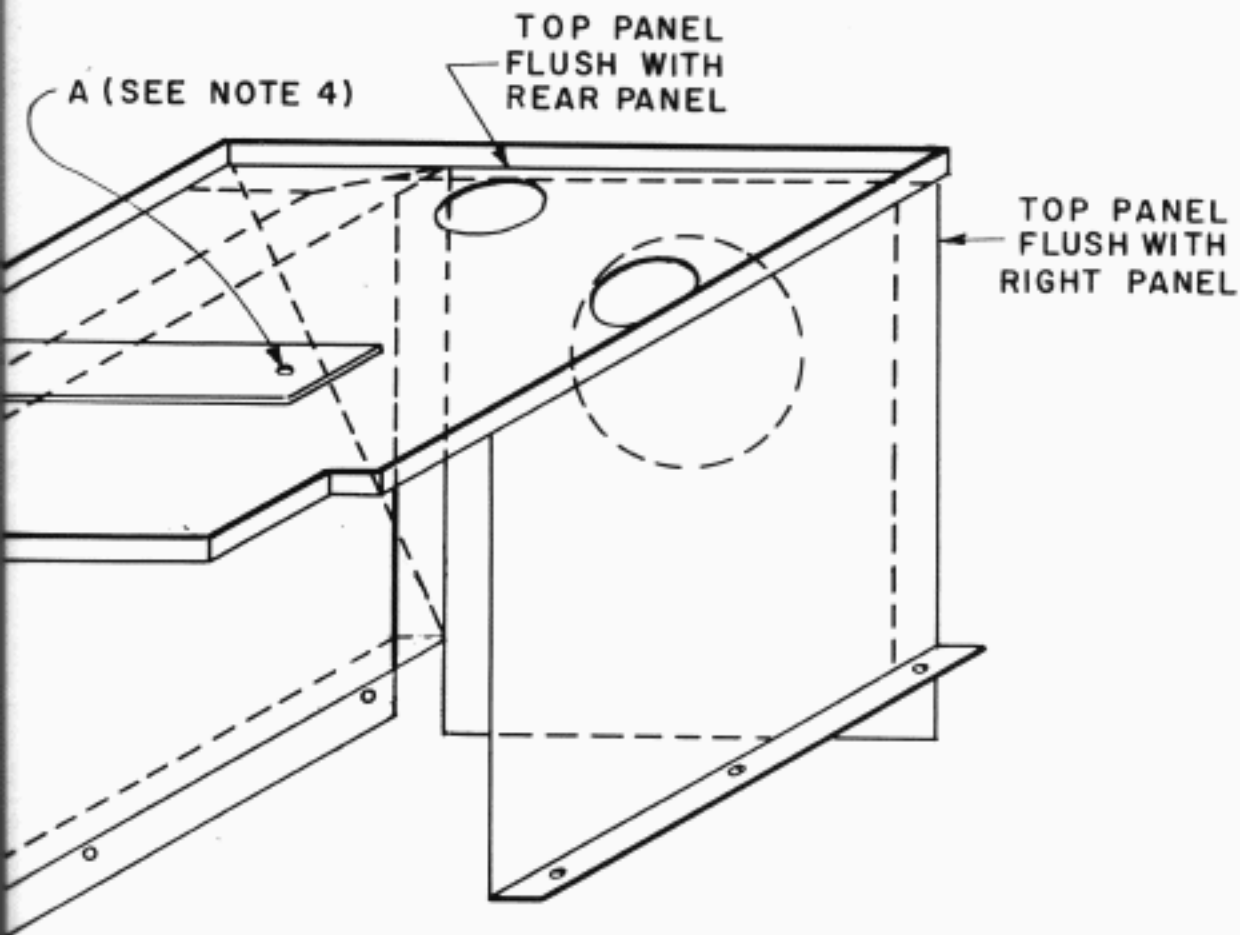


FIG. A-1

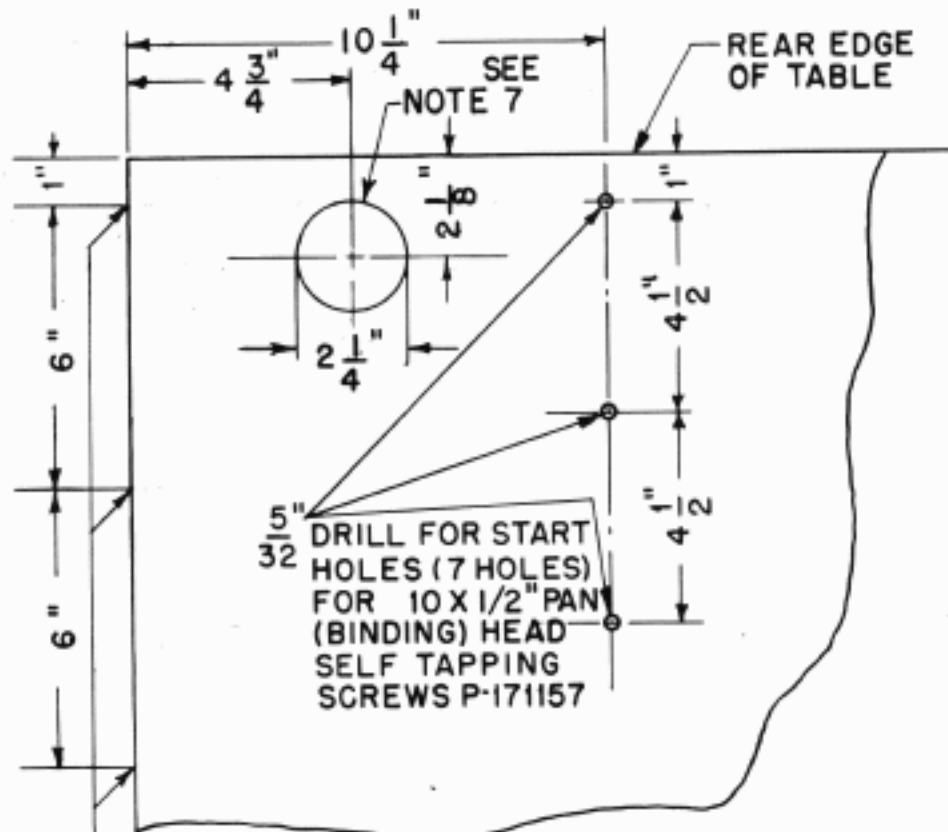


FIG. C
 DRILLING OF STEEL TABLE FOR
 BRACKET PER FIG. 1
 (SEE NOTE 1)
 (SEE NOTE 9 FOR 19A TABLE)

DRILL START HOLES ON EDGE TO MATCH HOLES IN LEFT PANEL OF FIG. 1A OR OF FIG. 4

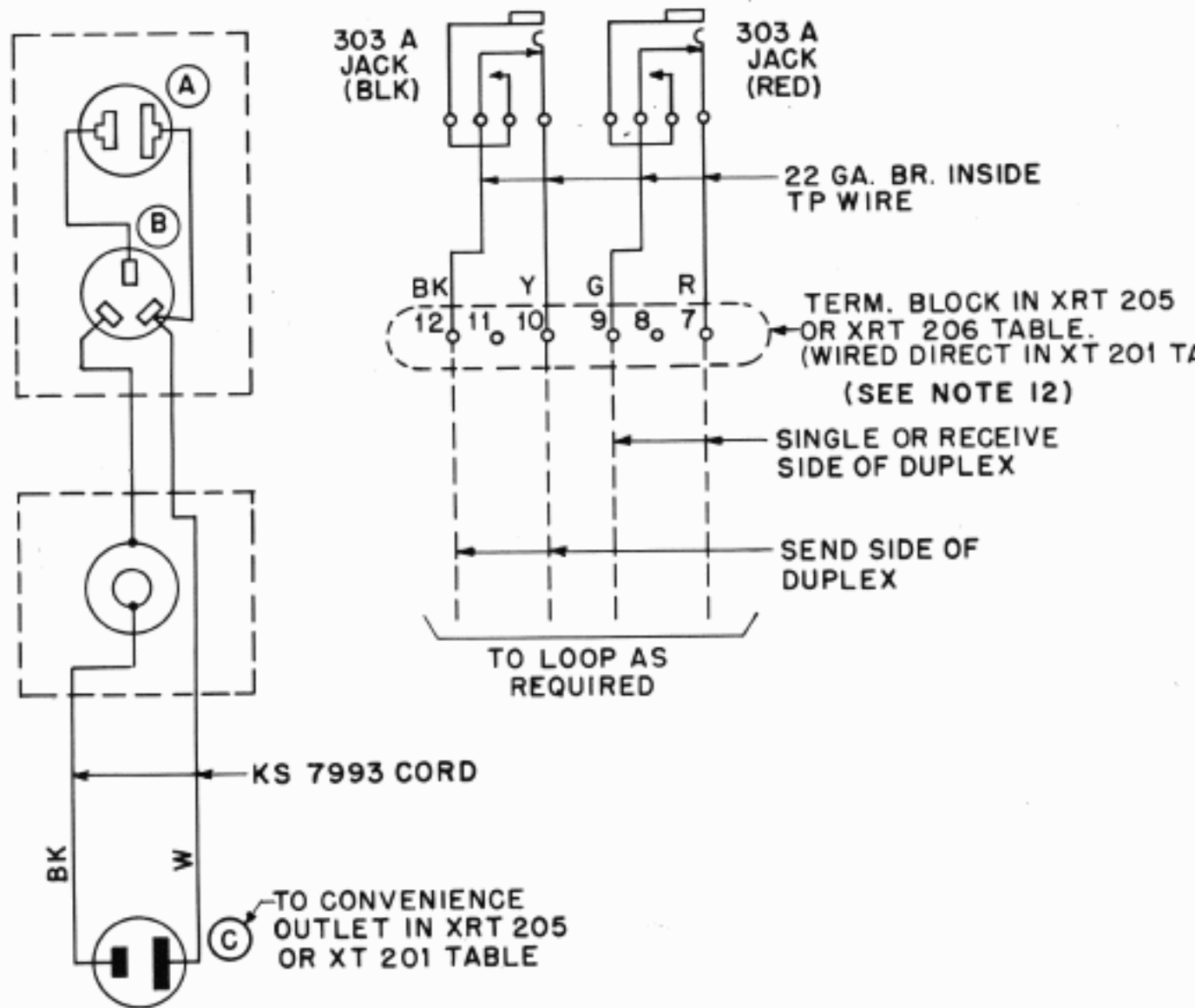


FIG. D
 WIRING OF FITTINGS
 ON BRACKET

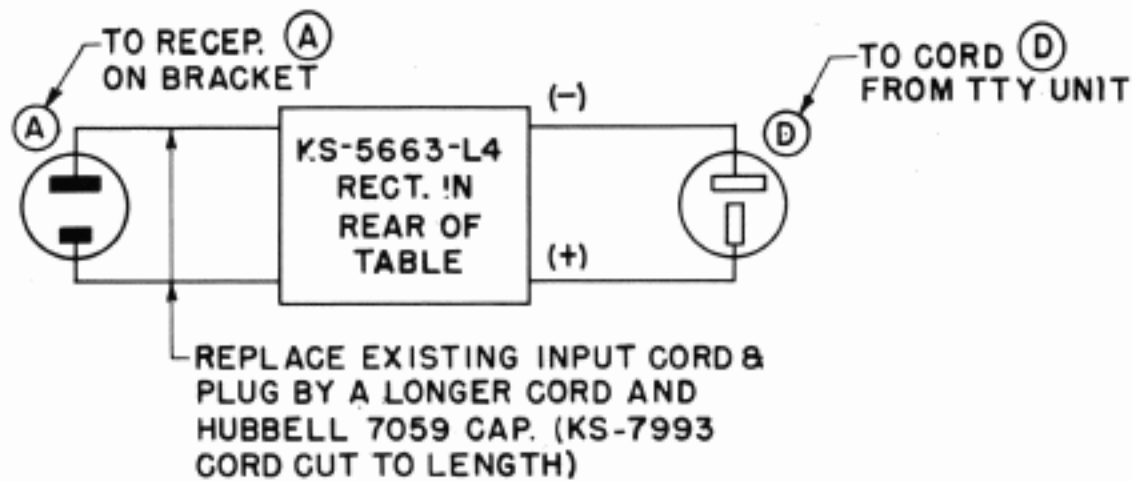


FIG. E
ARRANGEMENT OF RECTIFIER

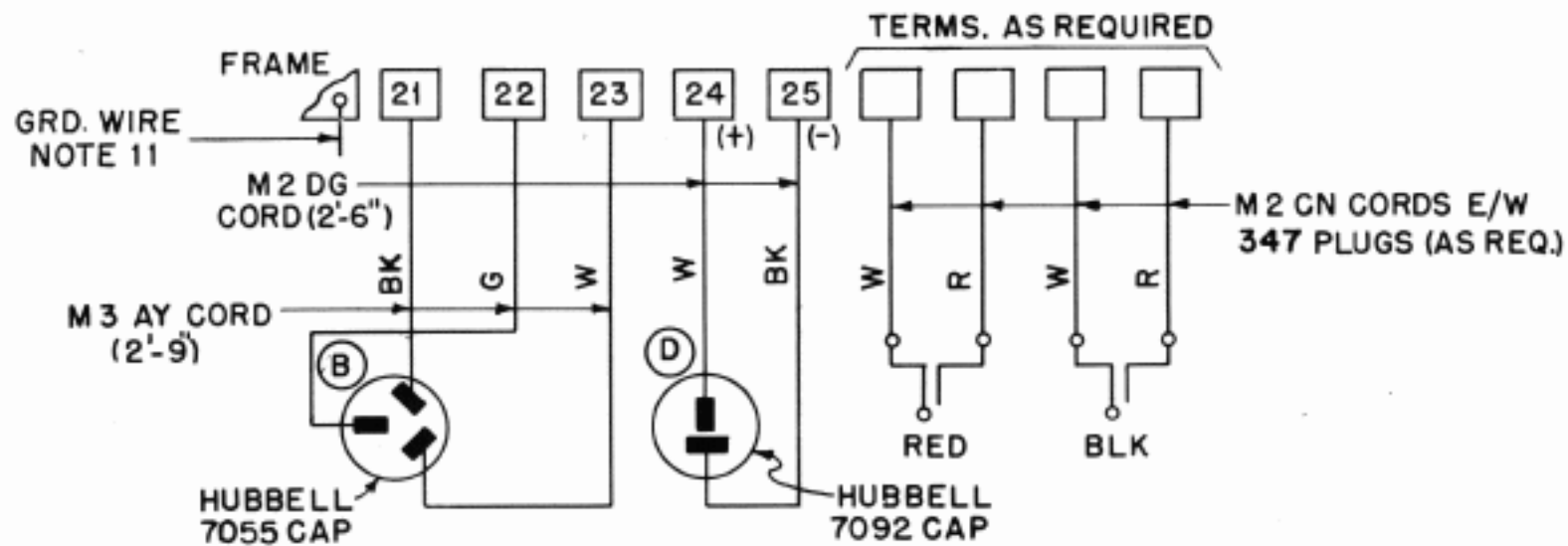


FIG. F
POWER & LOOP CORDS
TO REPERFORATOR
OR TYPING REPERFORATOR
(A-C OPERATION)

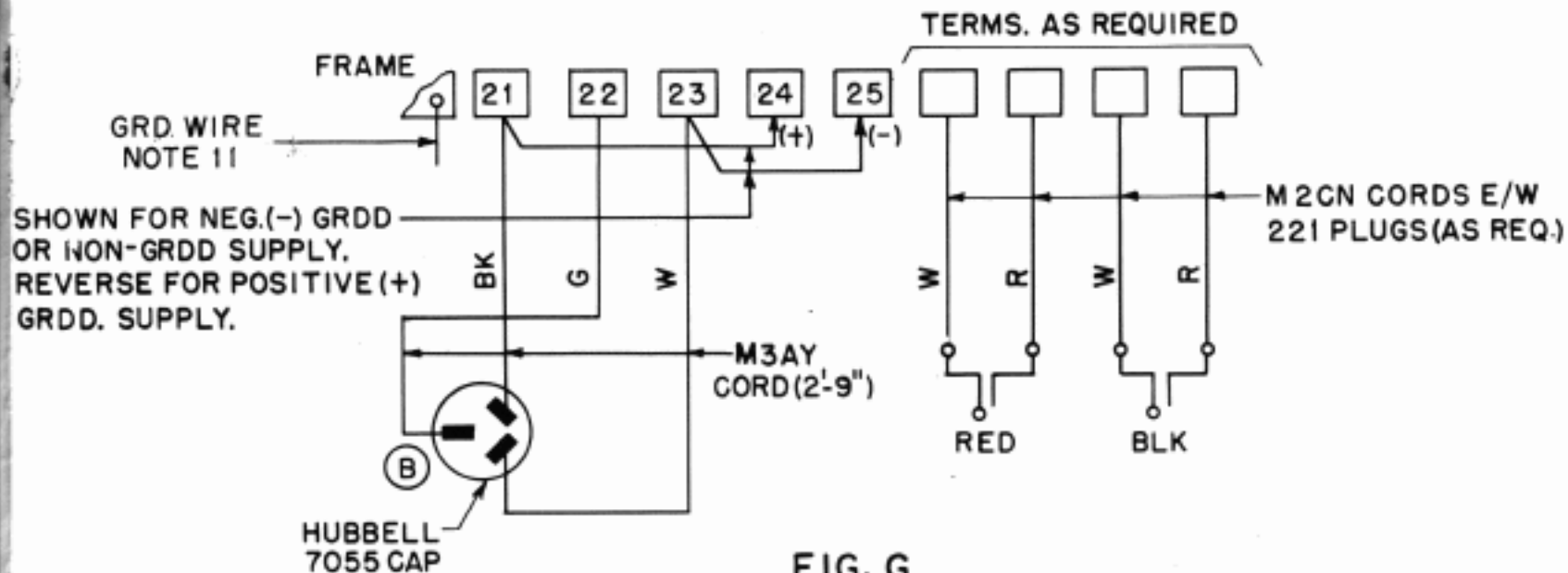


FIG. G
POWER & LOOP CORDS
TO REPERFORATOR
OR TYPING REPERFORATOR
(D-C OPERATION)