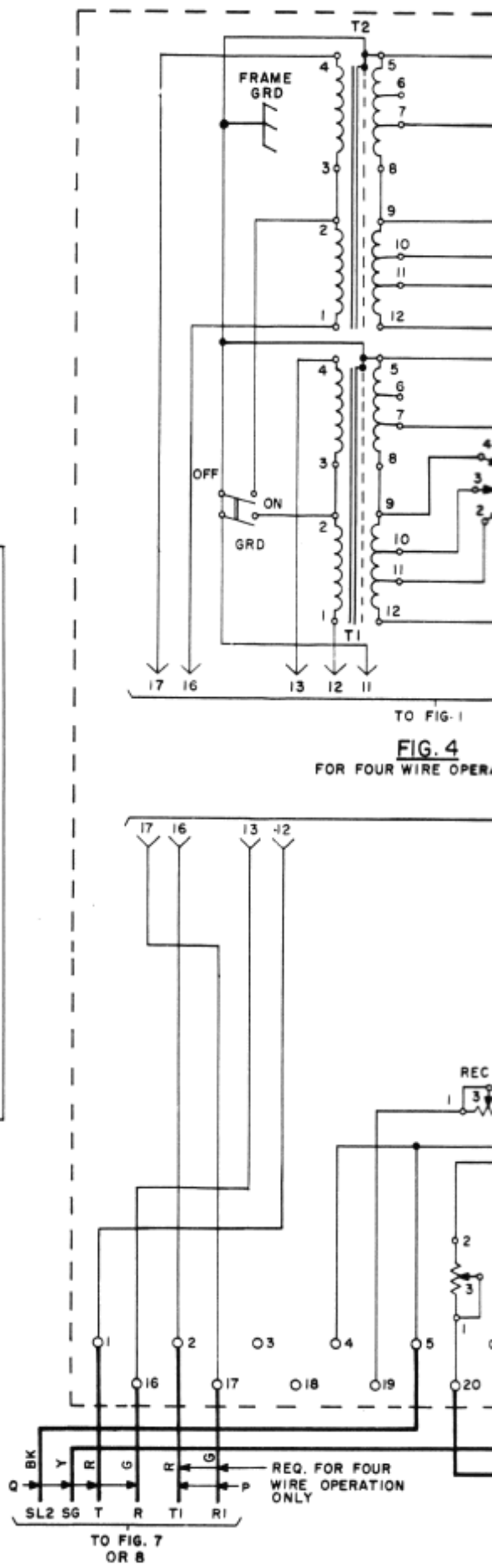


STATION IDENTIFICATION



TO FIG. 1
FIG. 4
FOR FOUR WIRE OPER.

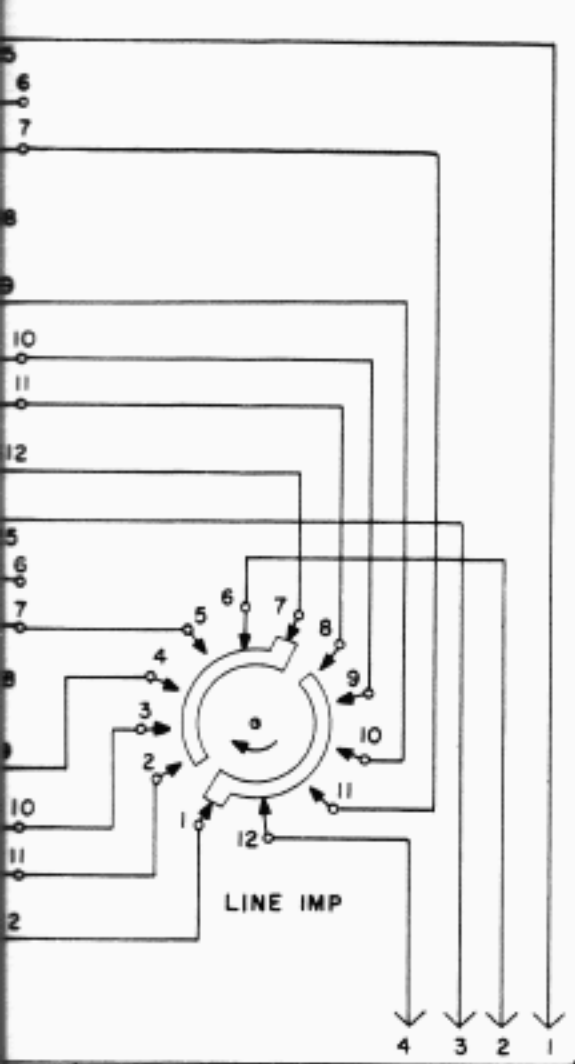


FIG. 4
TWO WIRE OPERATION

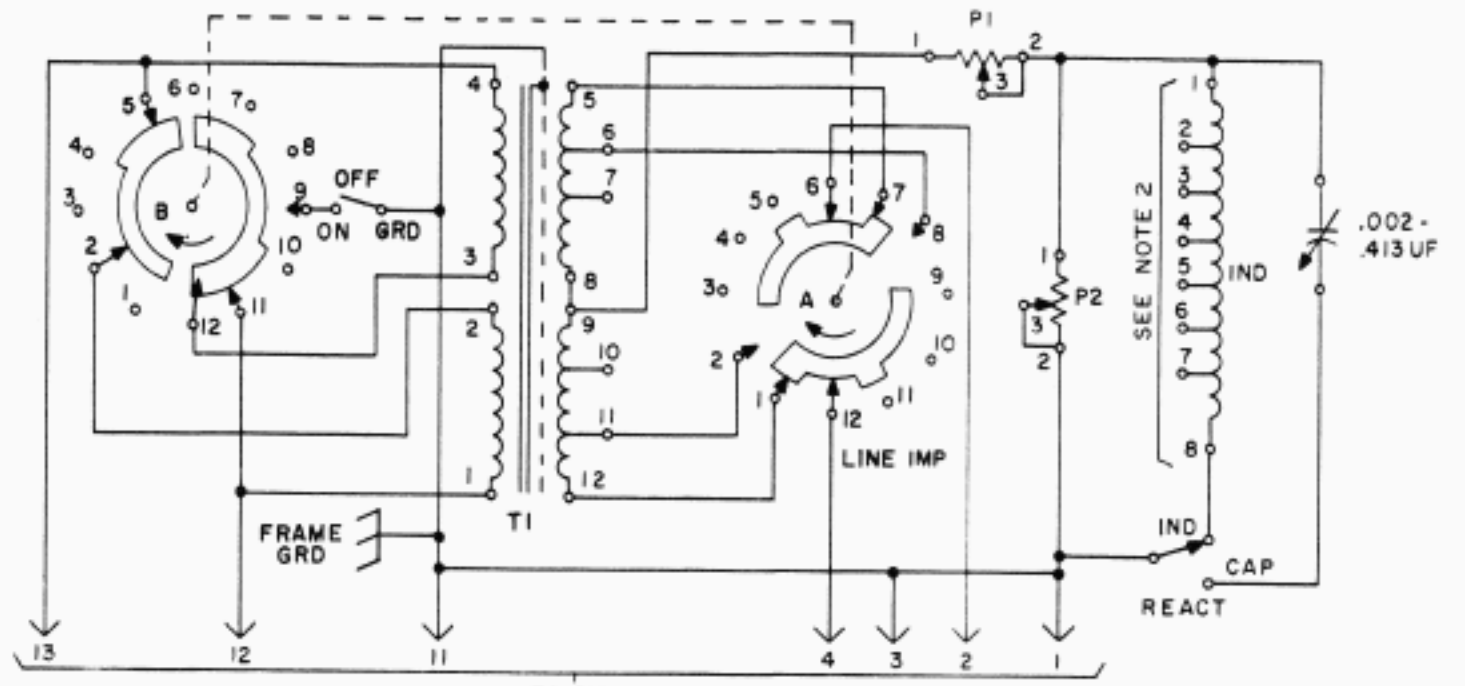


FIG. 3
FOR TWO WIRE OPERATION
WITH HYBRID BALANCE

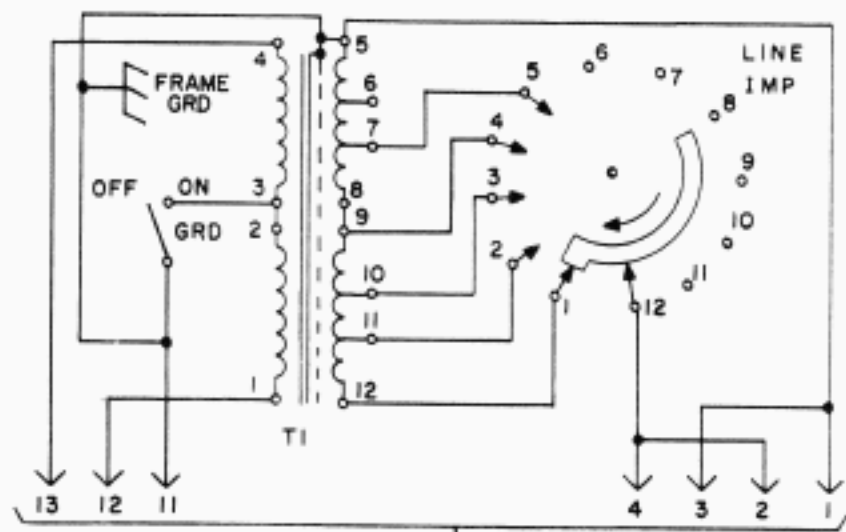
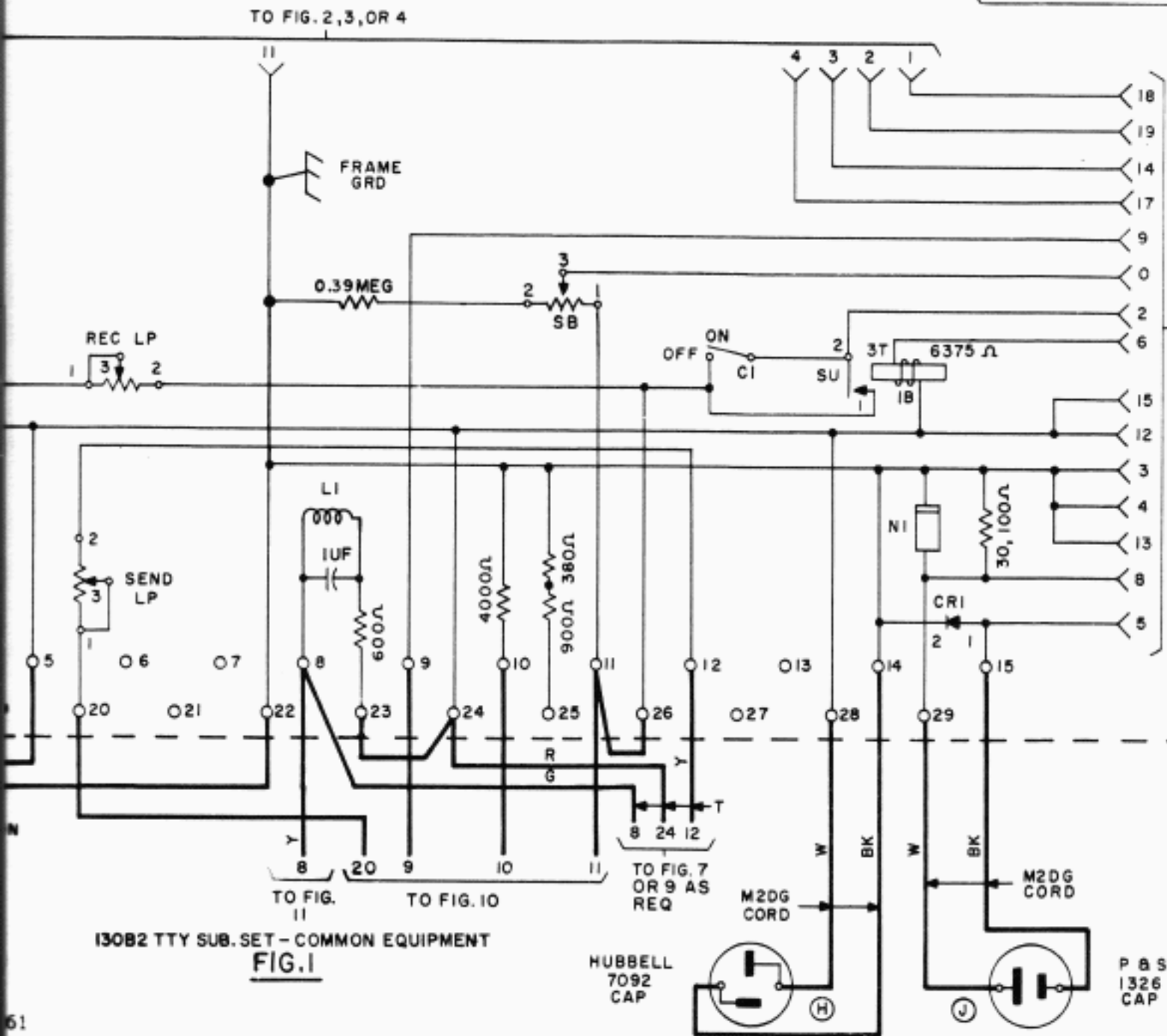


FIG. 2
FOR TWO WIRE OPERATION
WITHOUT HYBRID BALANCE



130B2 TTY SUB-SET - COMMON EQUIPMENT
FIG. 1

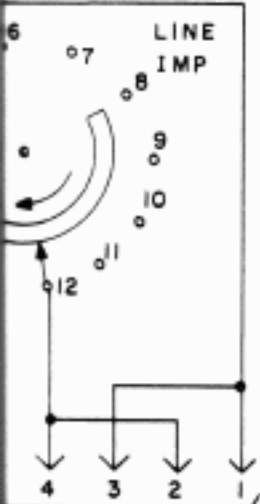
PLUG CONNECTS
TO 43A1 CARRIER
CHANNEL TERMINAL

130B2 TTY SUB SET

HUBBELL
7092
CAP

P & S
1326
CAP

.002 -
.413 UF



OPERATION
BALANCE

Y SUB SET

15 TTY CONSISTING OF:
15C BASE
15E KEYBOARD
15Y OR 15AA TYPING UNIT
15D, 15J, 15L OR 15M MOTOR UNIT
15A OR 15C SET OF GEARS

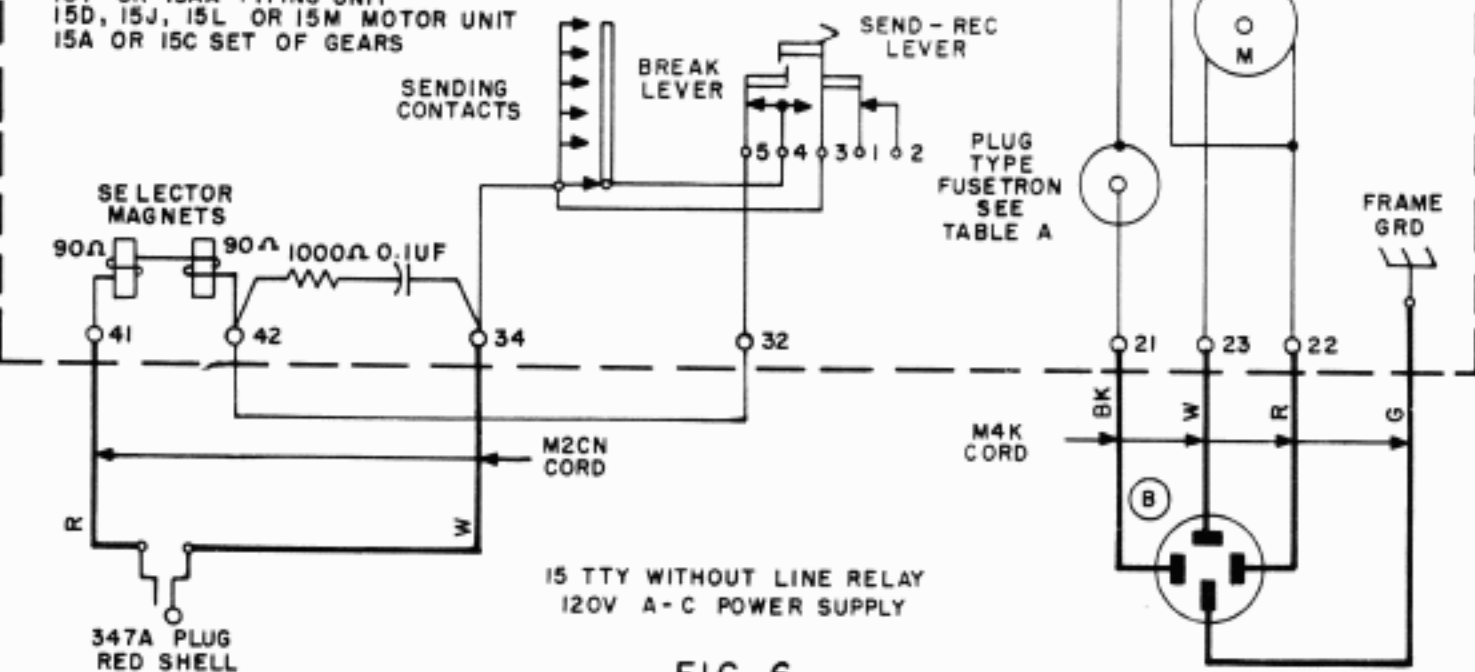


FIG. 6

POWER SWITCH

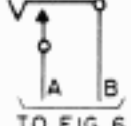
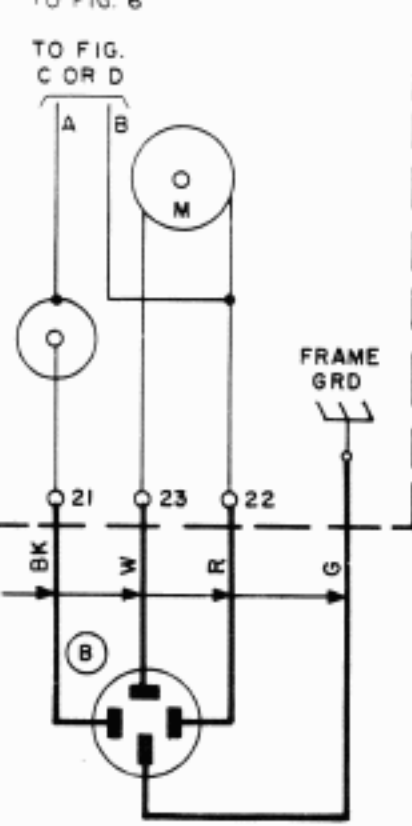
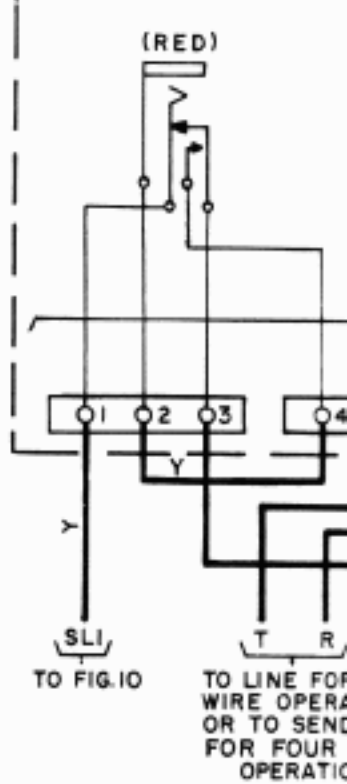


FIG. D
XRT 200 OR
XRT 201 TABLE

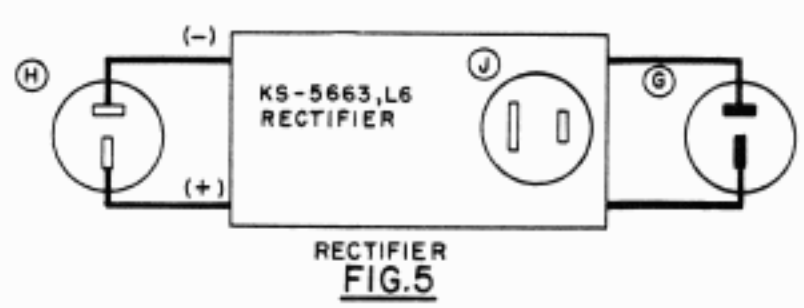
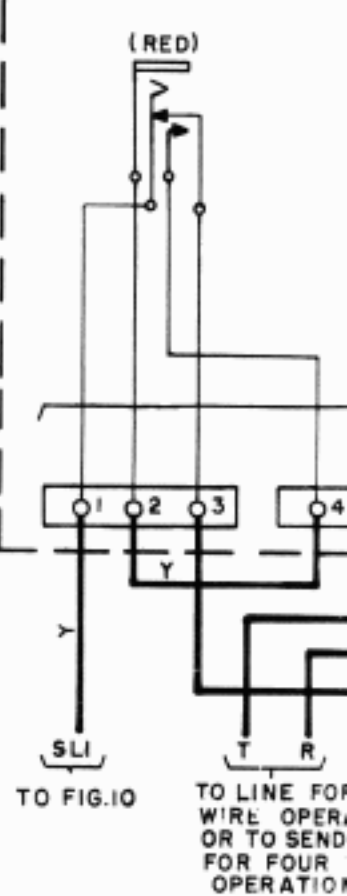
FIG. C
15N TABLE

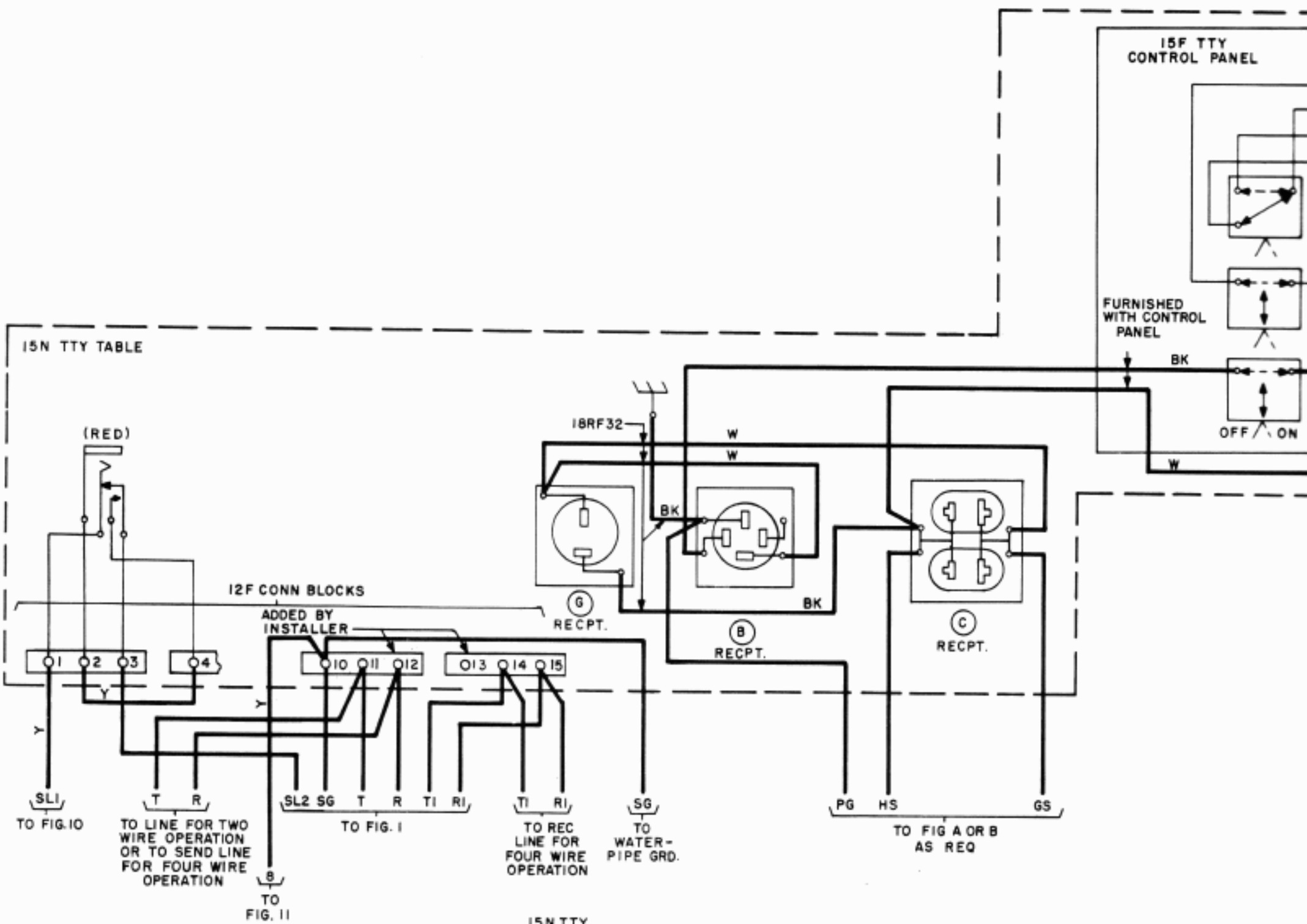


15N TTY TABLE

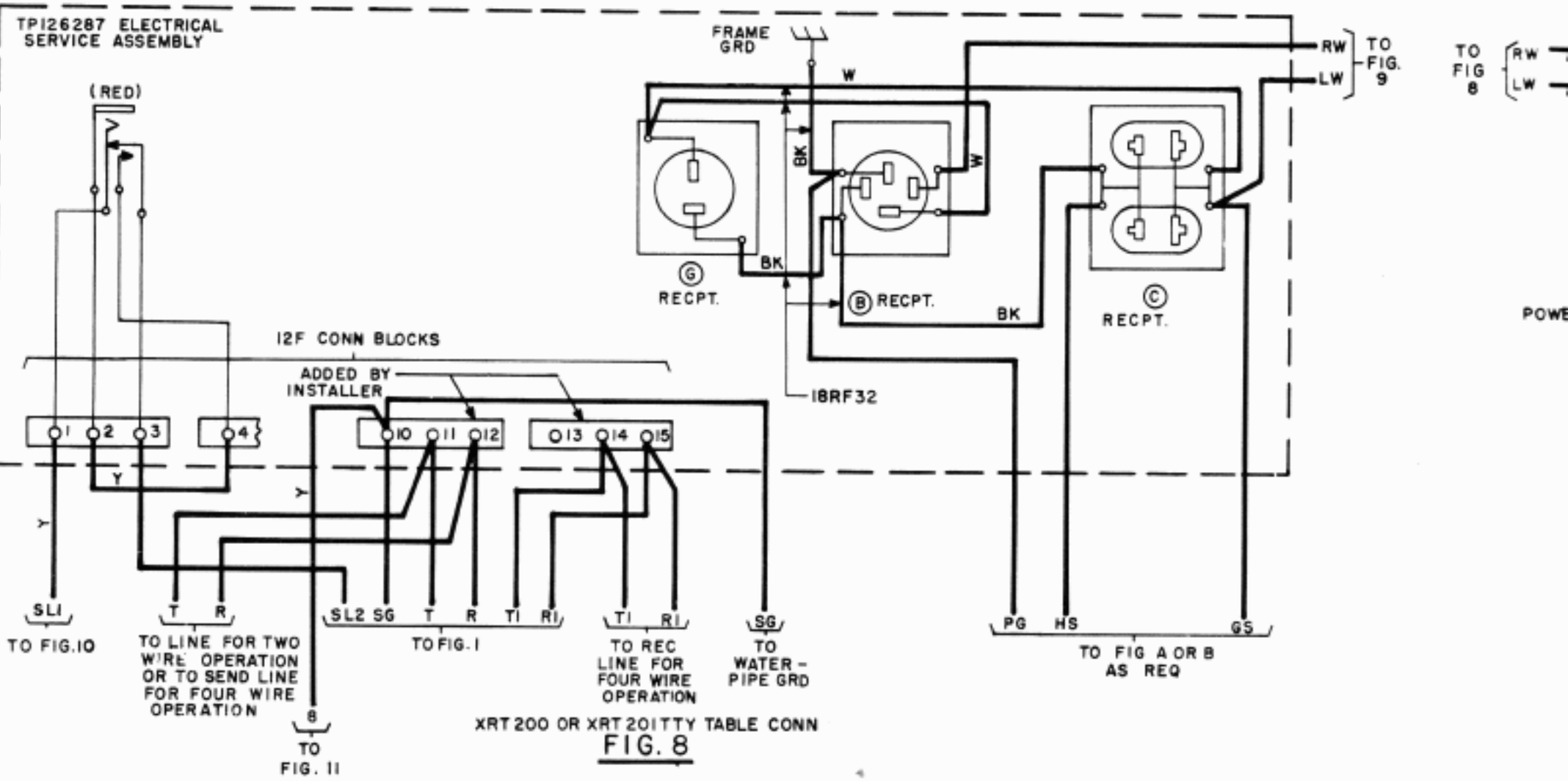


TP126287 ELECTRICAL SERVICE ASSEMBLY

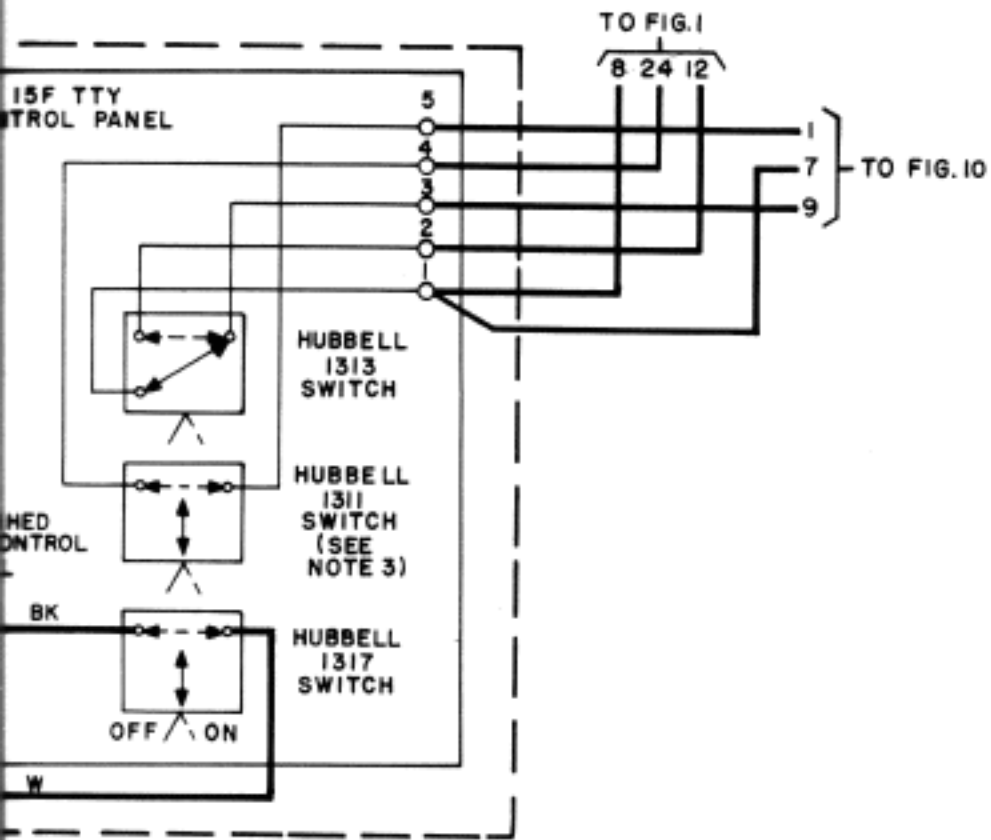




15N TTY TABLE CONN
FIG. 7

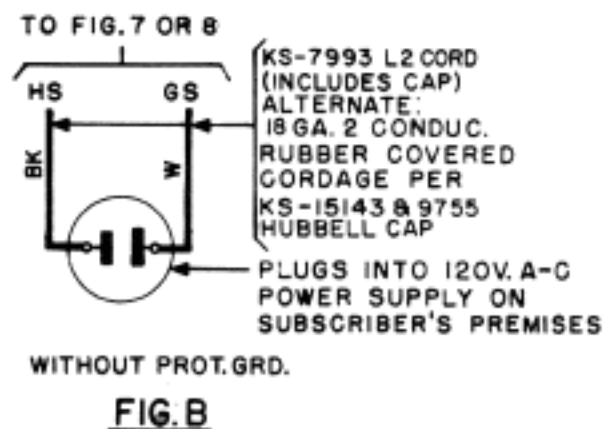
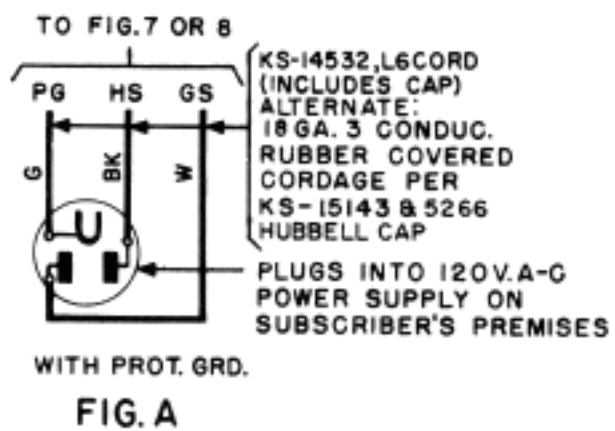
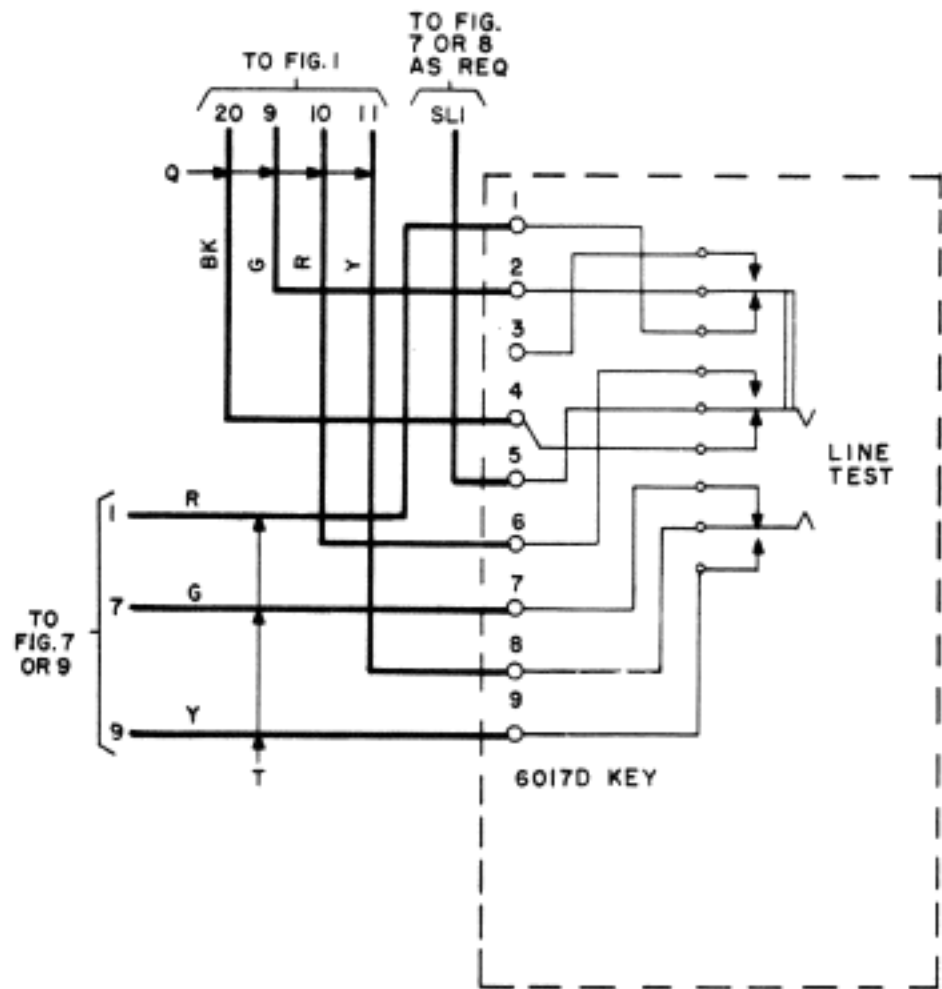
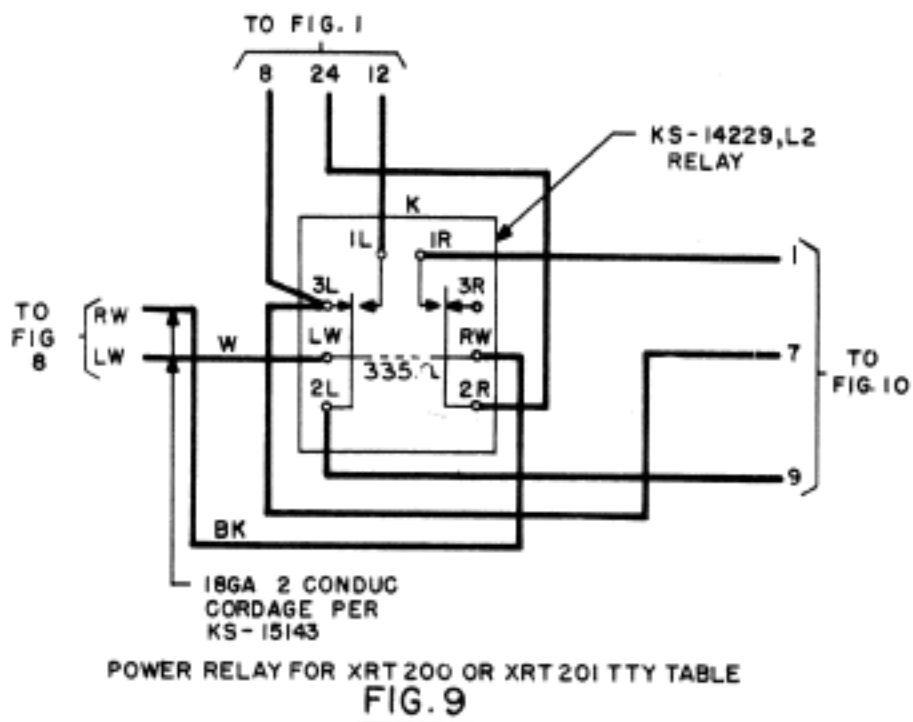


XRT 200 OR XRT 201 TTY TABLE CONN
FIG. 8



NOTES:

1. UNLESS OTHERWISE SPECIFIED, LEADS SHALL BE 22 GA. WIRE PER AT&T CO. SPECIFICATION.
2. ADJUSTMENT OF THESE SWITCHES IS IN THE BSP.
3. REVERSE 1311 SWITCH POSITION SO THAT SWITCH WILL BE IN THE "ON" POSITION WHEN SWITCH IS IN THE "ON" POSITION.



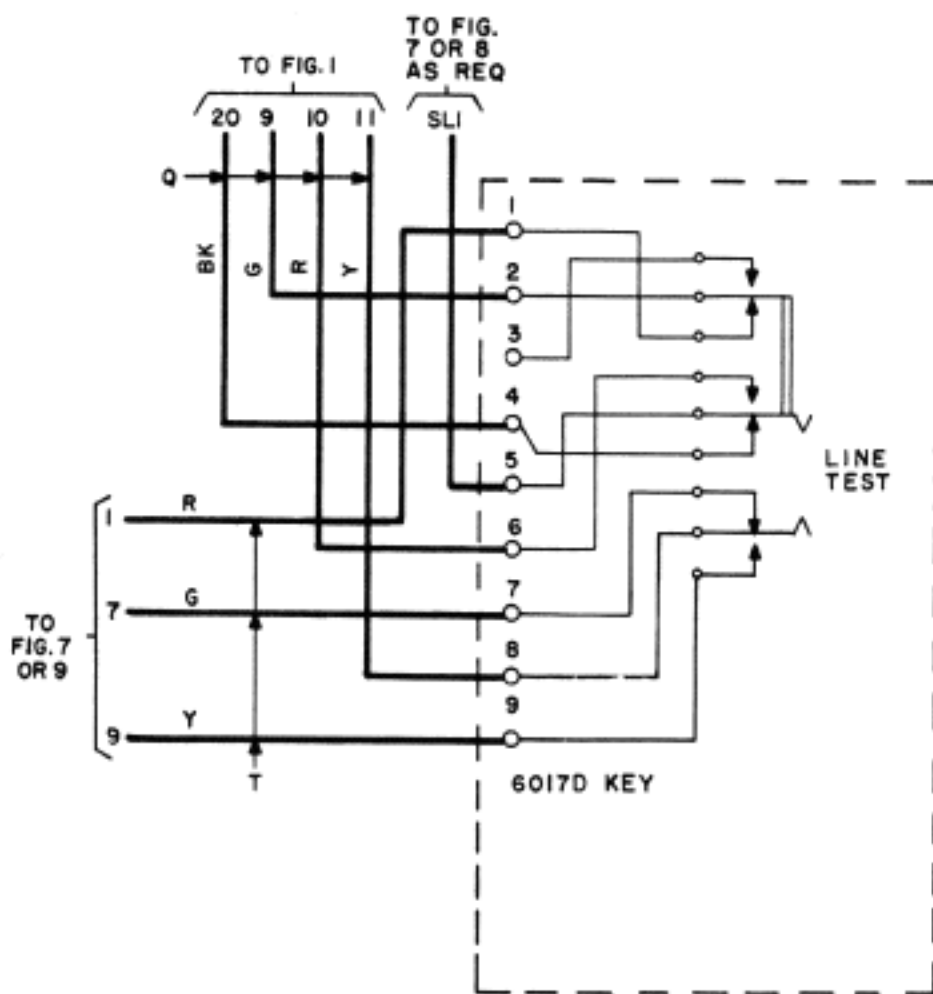
TO FIG. 10

NOTES:

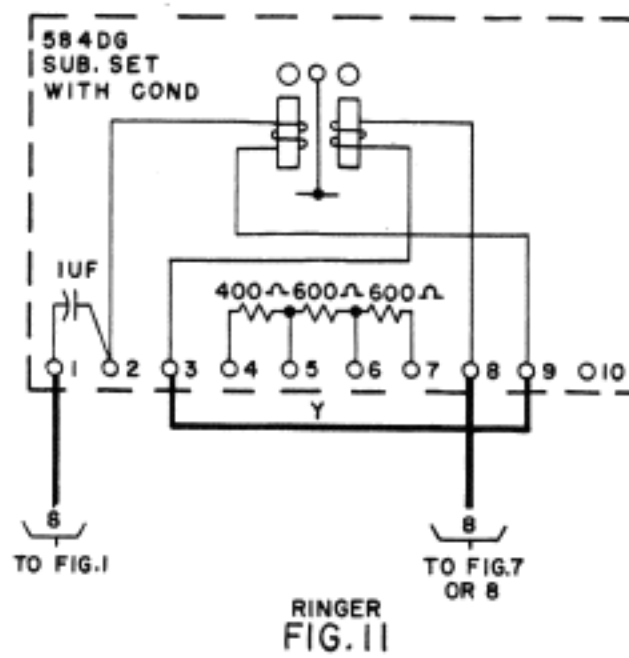
1. UNLESS OTHERWISE SPECIFIED ALL COLORED LEADS SHALL BE 22 GA. BROWN, TYPE GS STATION WIRE PER AT&T CO. SPEC 7089
2. ADJUSTMENT OF THESE REACTANCES IS DESCRIBED IN THE BSP
3. REVERSE 1311 SWITCH IN MOUNTING STRAP SO THAT SWITCH WILL BE CLOSED WHEN THE 1317 SWITCH IS IN THE "ON" POSITION.

MOTOR	FUSETRQN
A-C SYNCH	T3.2
A-C SER	T1.6

TABLE A



LINE-TEST KEY
FIG. 10



RINGER
FIG. 11

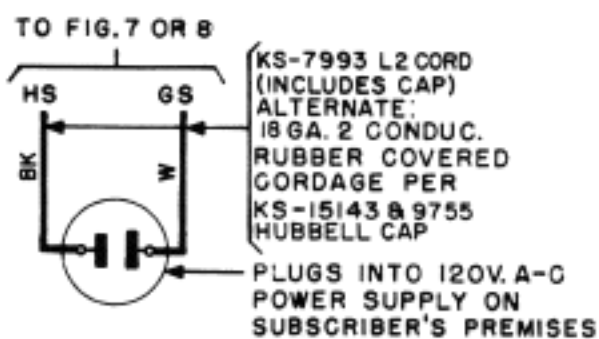


FIG. B

TTY STATION WIRING
130B2 TTY SUB. SET
ATTENDED TWX SERVICE
15 TTY & 15N, XRT200 OR
XRT 201 TABLE