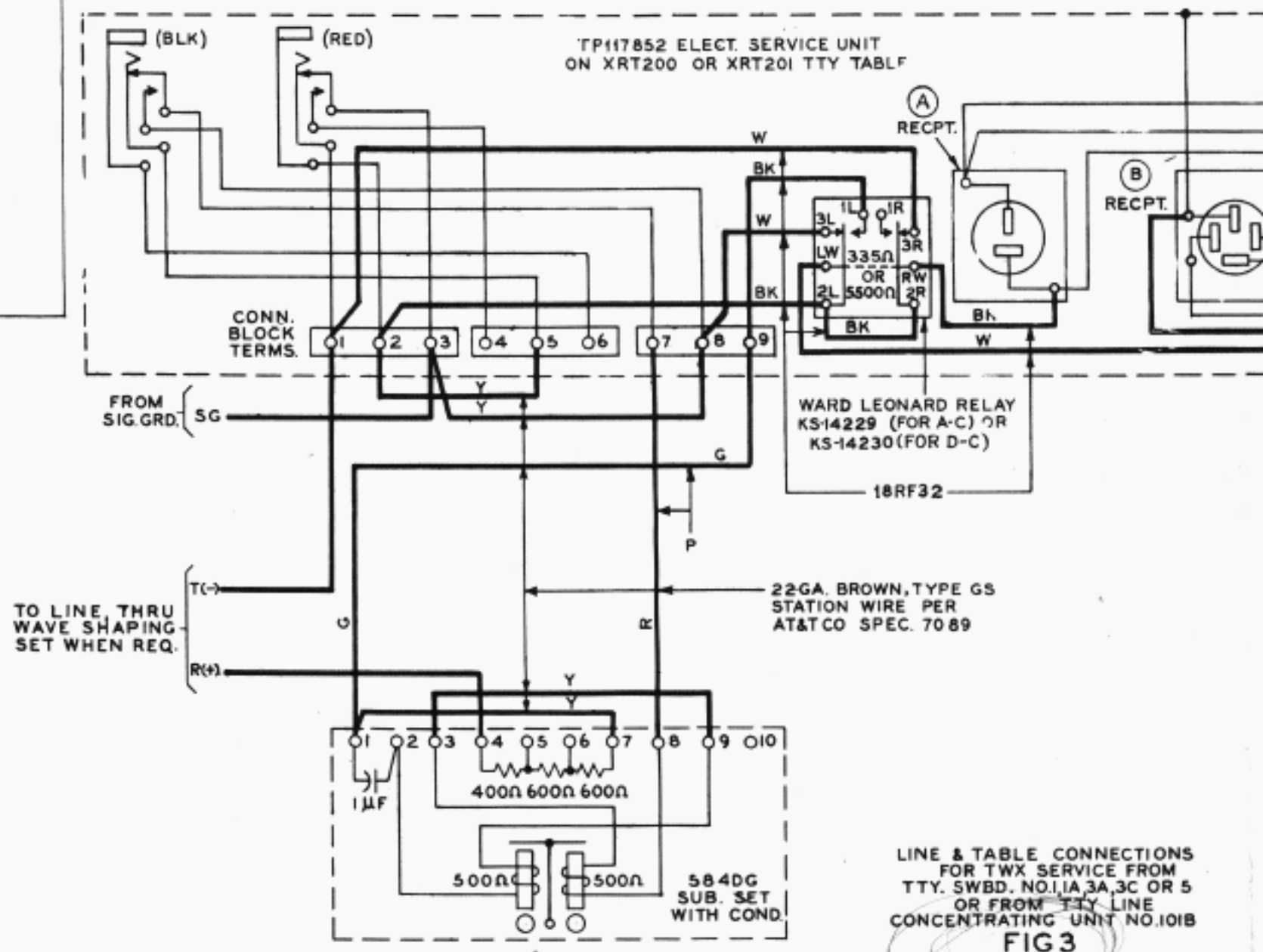
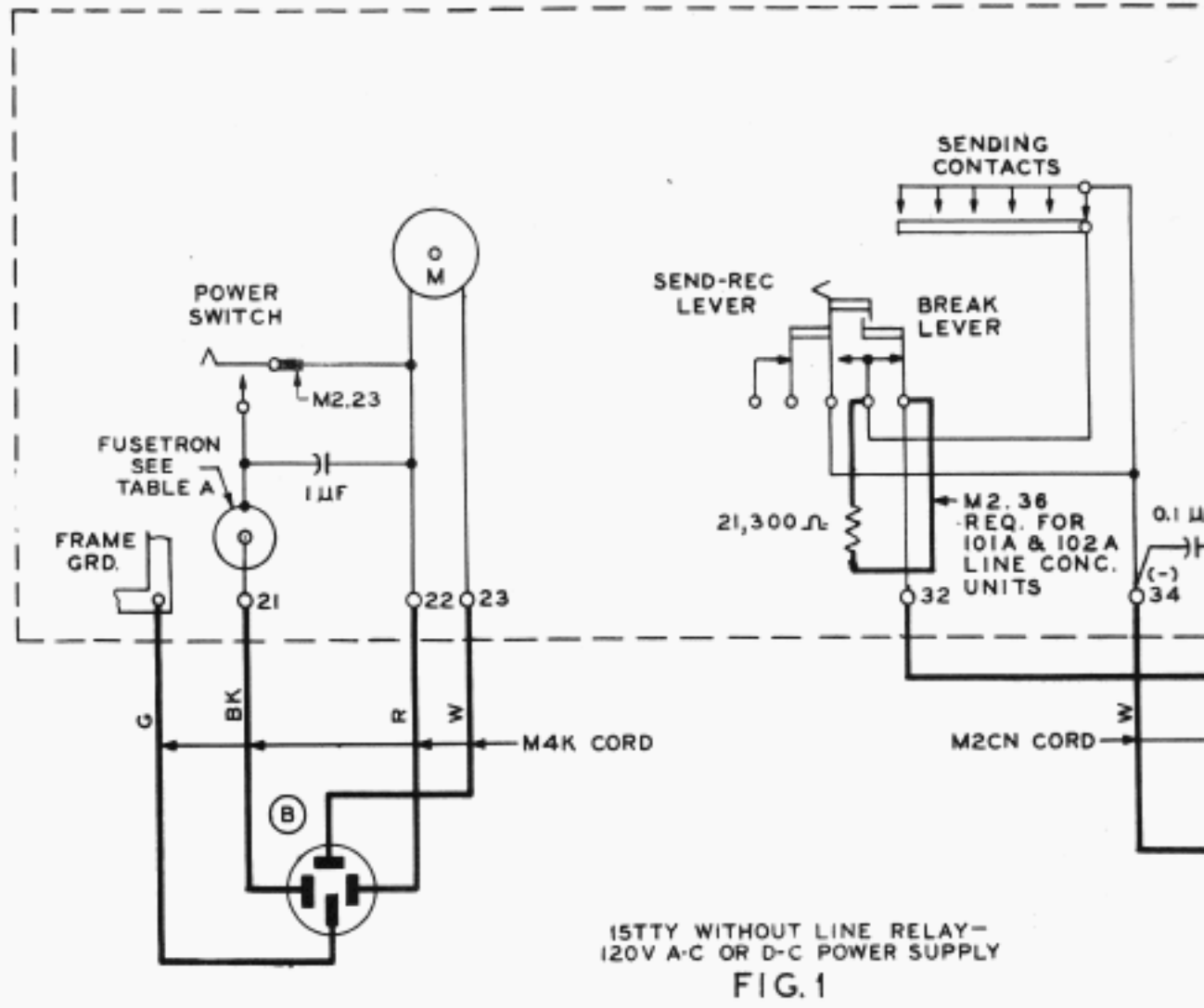
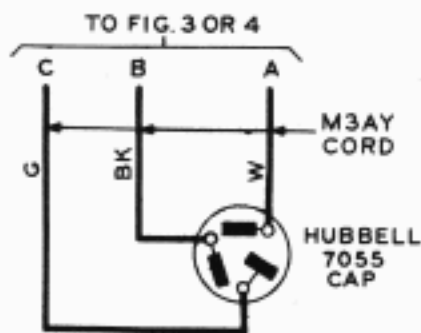
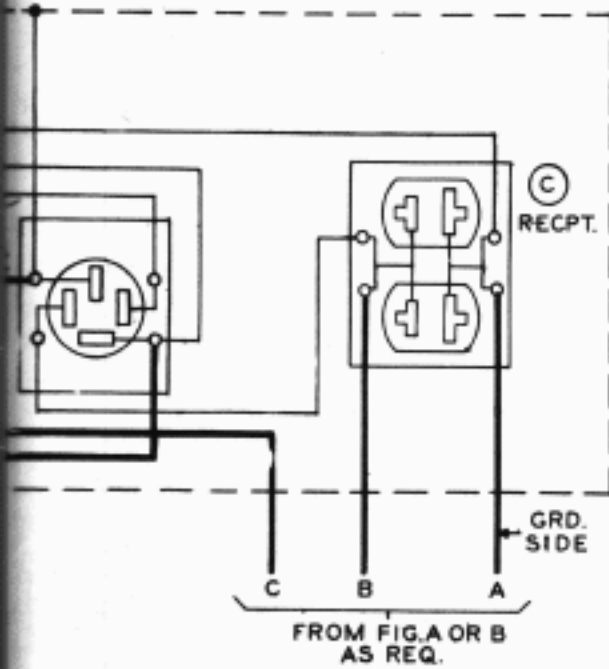
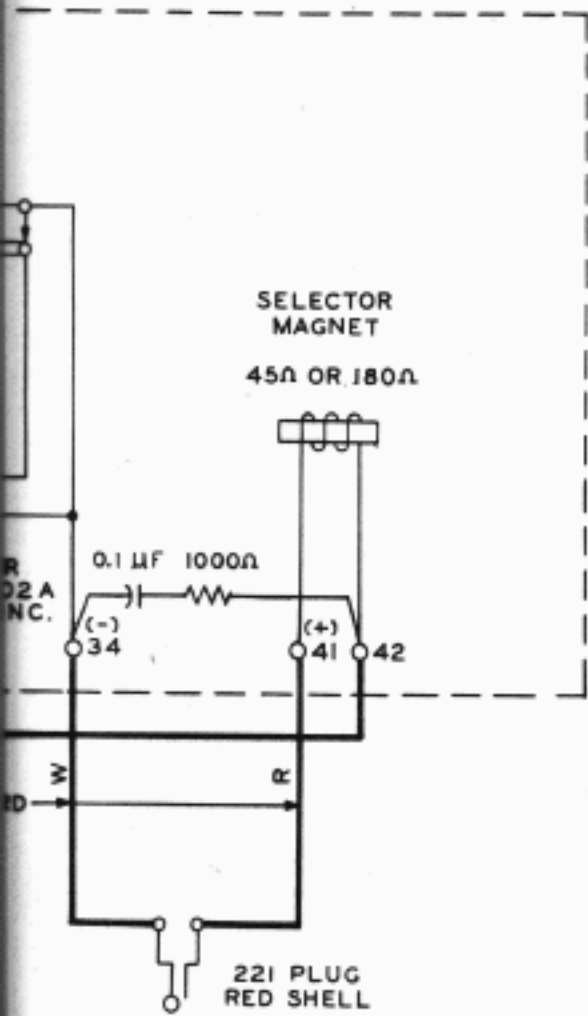
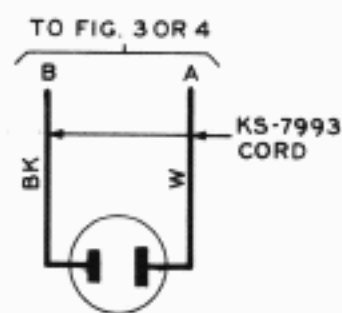


STATION IDENTIFICATION

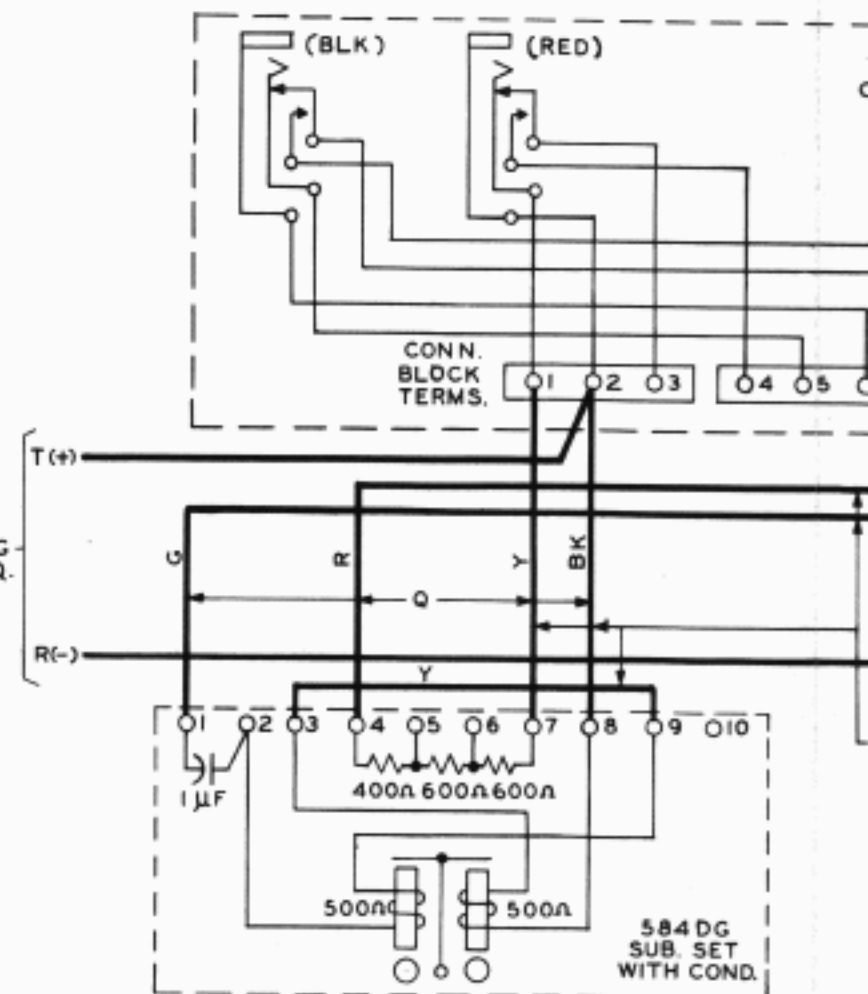
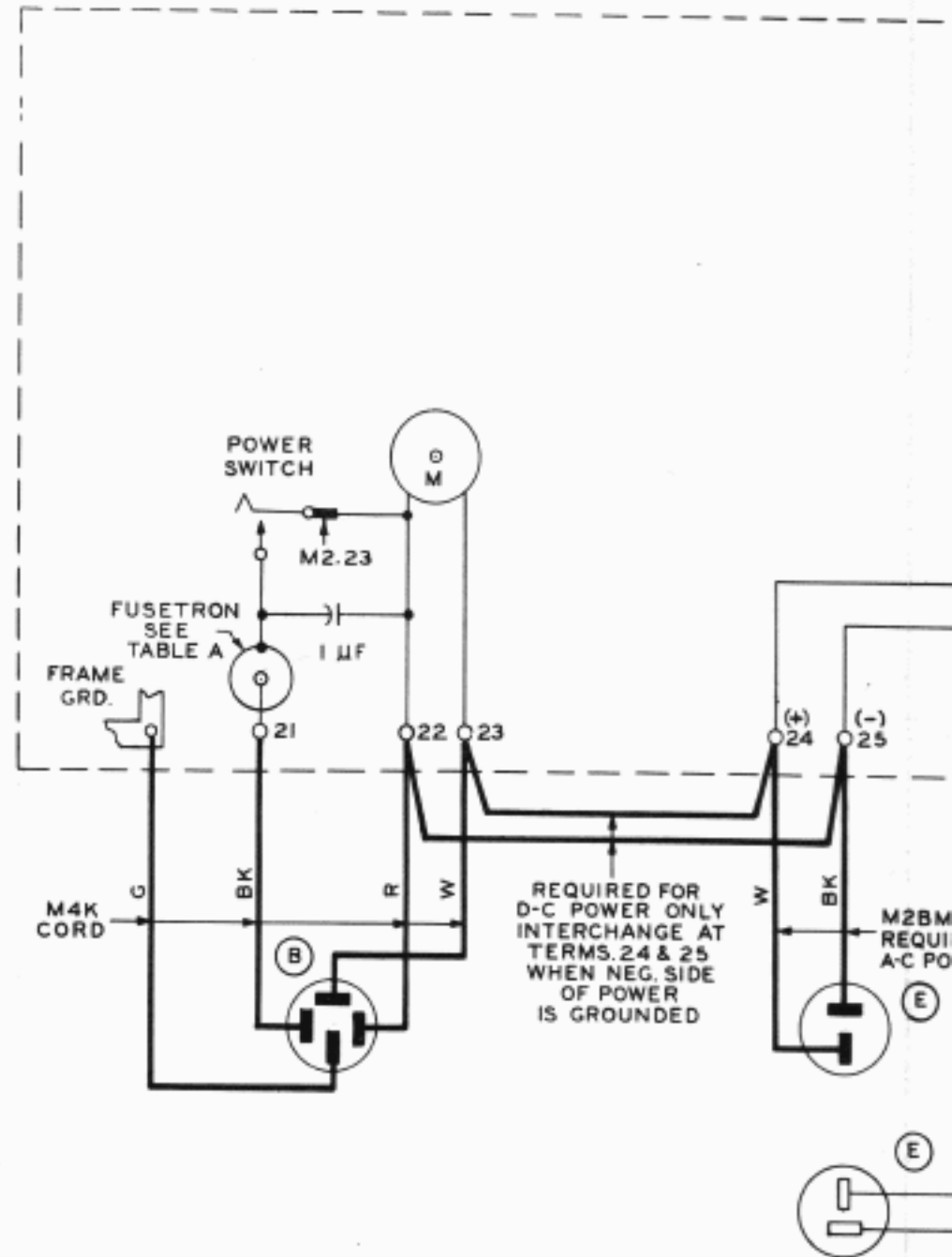




20V A-C OR D-C
POWER CONNECTION
WITH PROT. GRD.
FIG. B



120V A-C OR D-C
POWER CONNECTION
WITHOUT PROT. GRD.
FIG. A



BELL SYSTEM PRACTICES

TELETYPEWRITER STATION INSTALLATION AND MAINTENANCE

SECTION P90.513

ISSUE 1, JULY, 1949

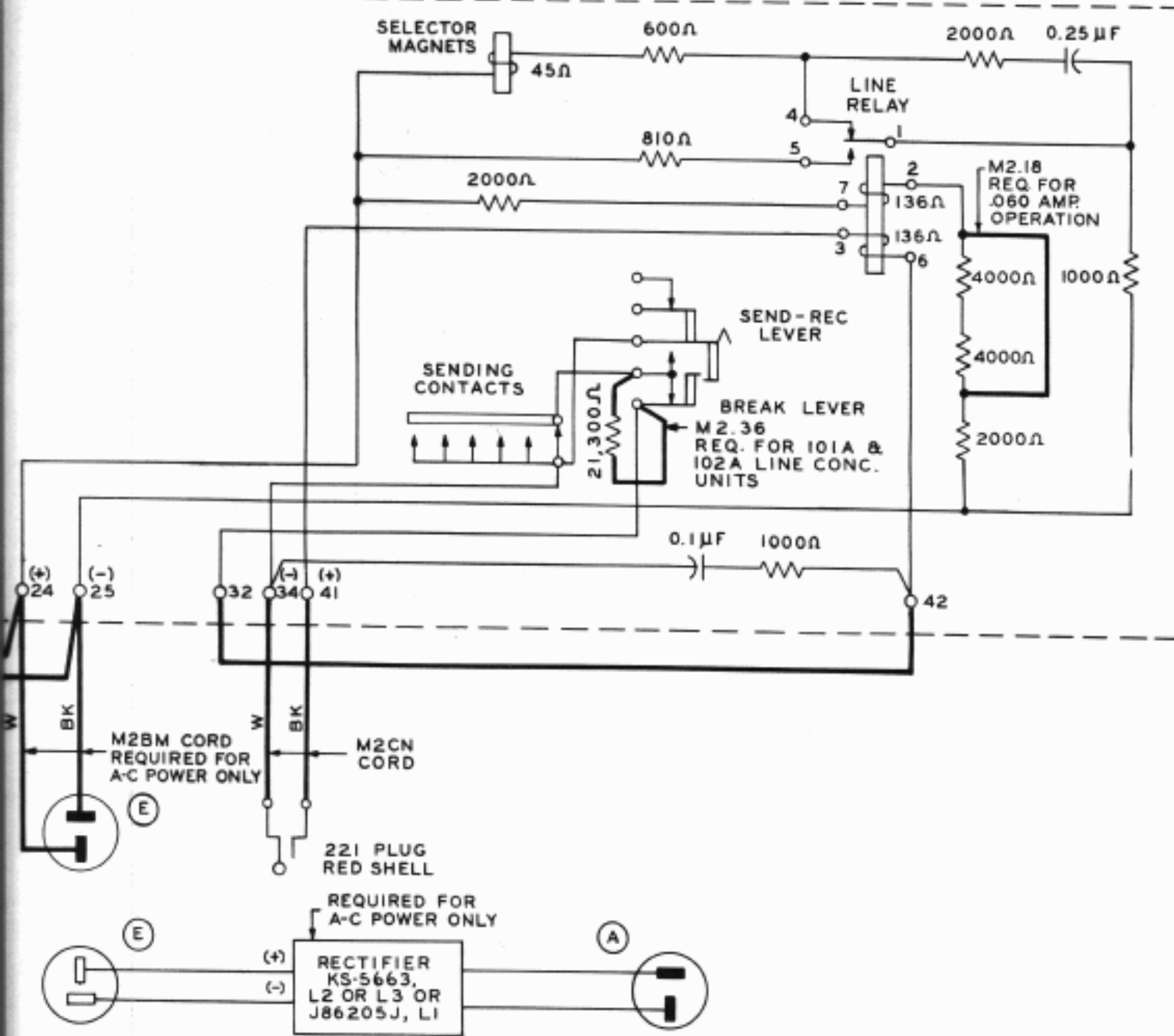
AT&TCO STANDARD

MOTOR	FUSETRON
A-C SYNCH	T3.2
A-C SER.	T1.6
D-C	T1

TABLE A

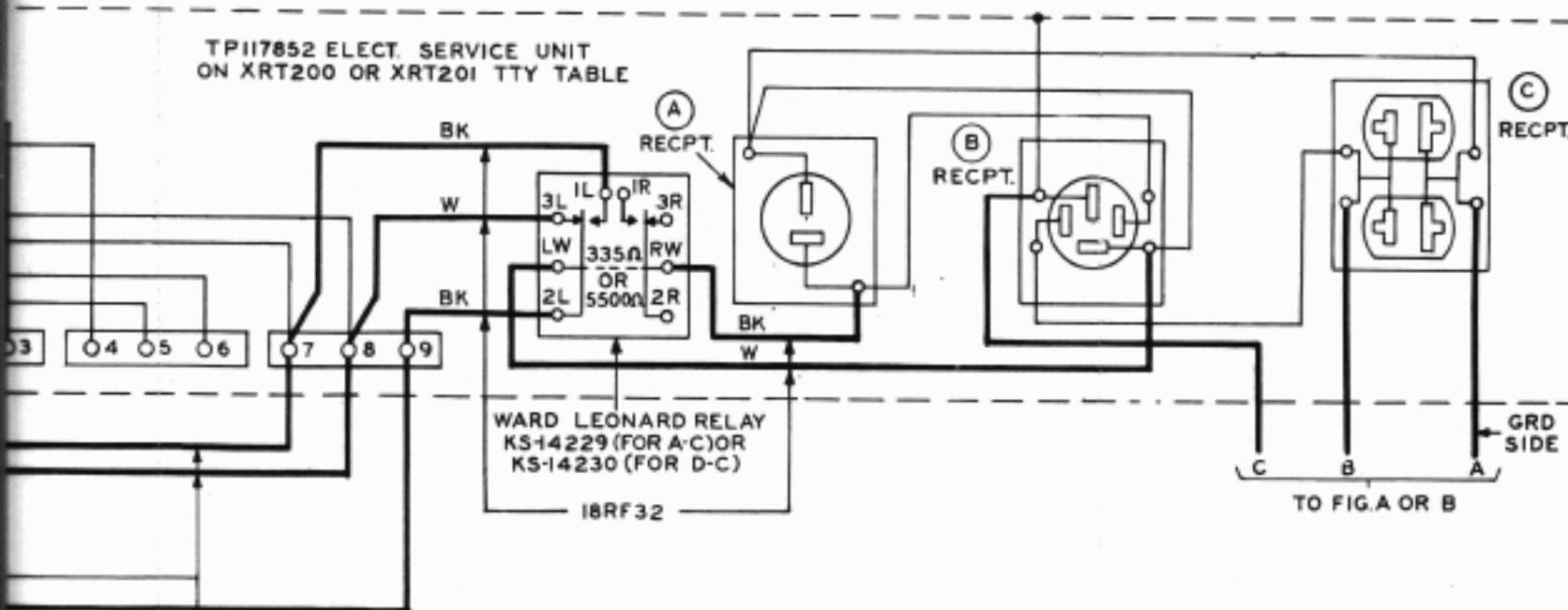
"M" PLANS USED	
M2.23	
M2.18 *	
M2.36 *	

* WHEN REQUIRED



15 TTY WITH LINE RELAY-
120V A-C OR D-C POWER SUPPLY

FIG. 2



LINE & TABLE CONNECTIONS
FOR TWX SERVICE FROM
TTY LINE CONCENTRATING
UNITS NO. 101A & 102A

FIG. 4

ATTENDED TWX SERVICE
15 TTY- XRT200 OR XRT201 TABLE
OVER A LOCAL LINE OR AN OPEN LOOP
AND A MULTI-SECTION LINE
TO TTY SWBDS. NO. 1, 1A, 3A, 3C OR 5
OR TO TTY LINE CONCENTRATING UNIT
NO. 101A, 101B OR 102A
120V. A-C OR D-C

Garden City