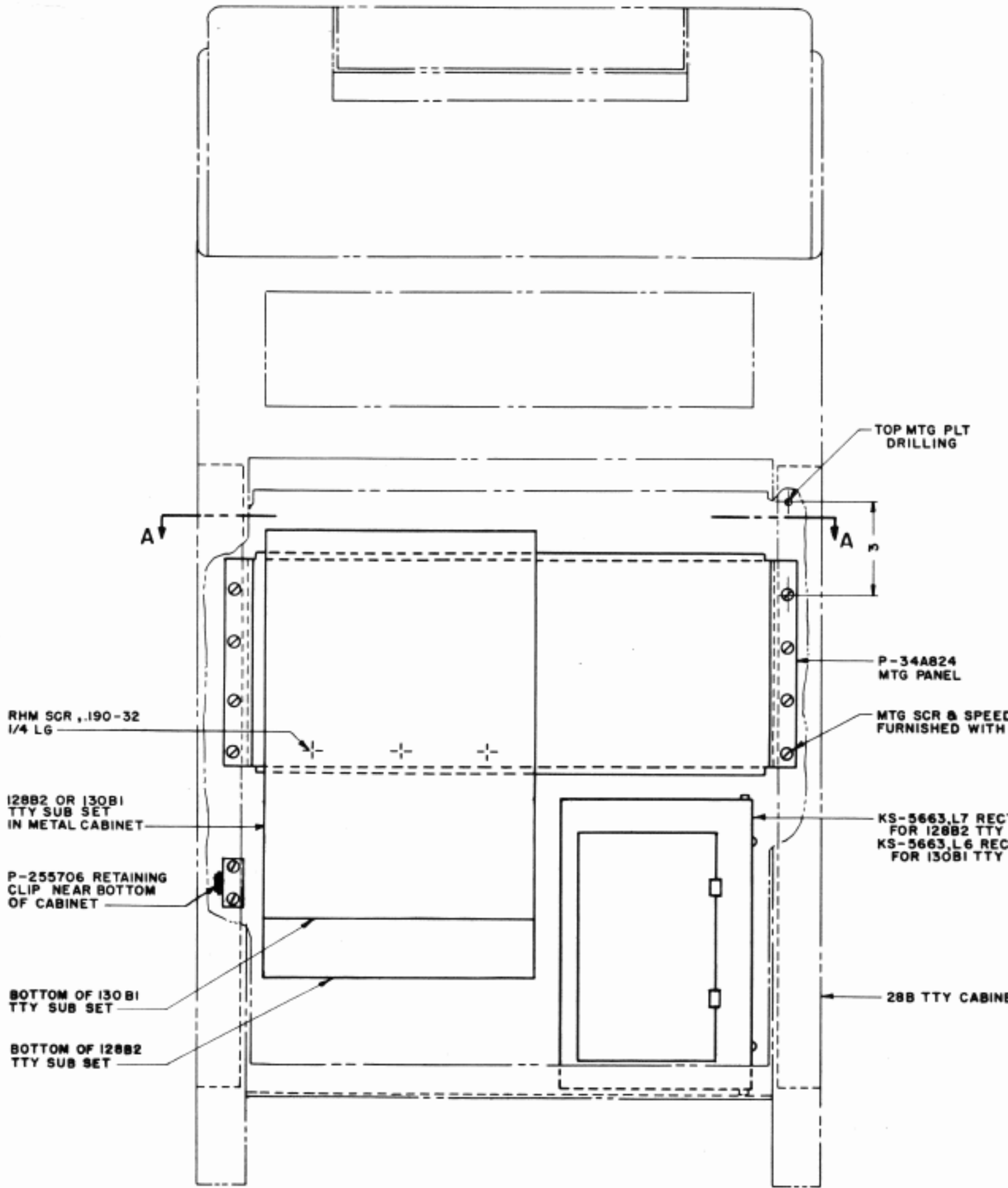
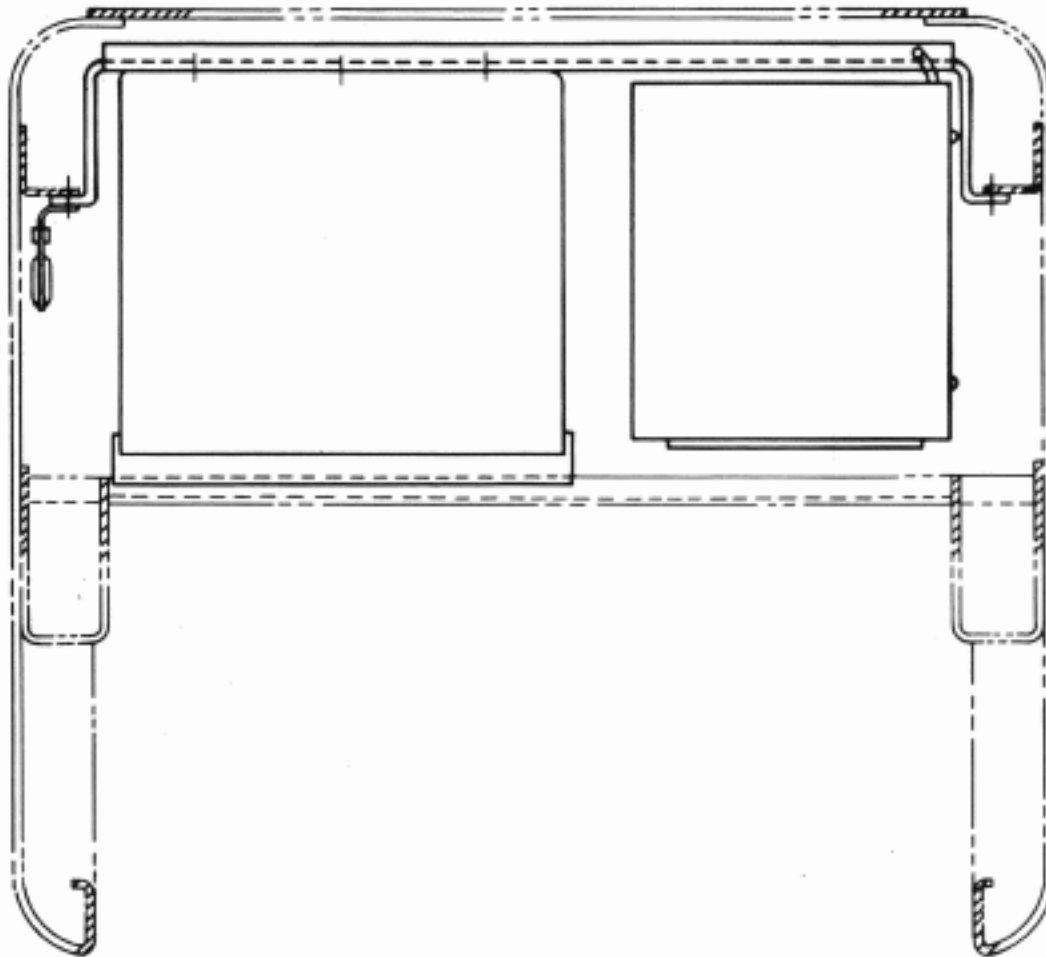


60



ASSE
128B2 OF



SECT A-A

PLT
ING

24
ANEL

R & SPEEDNUT
ED WITH TABLE

3,L7 RECT
2882 TTY SUB SET,OR
3,L6 RECT
3081 TTY SUB SET

TY CABINET

TOP
TTY

TOP
TTY

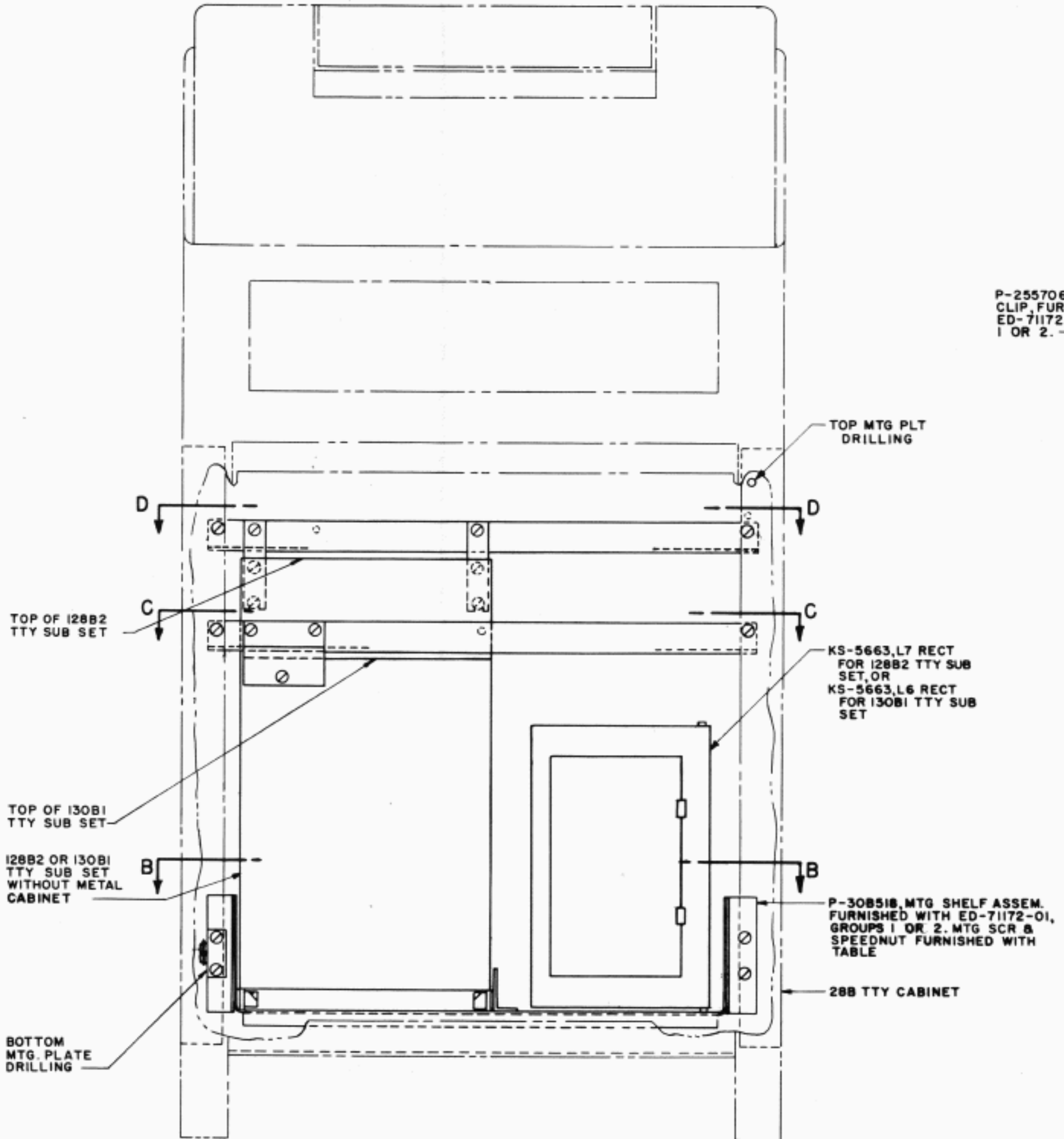
2882
TTY
WITH
CAB

BOTT
MTG.
DRIL

ASSEMBLY FOR PRIVATE LINE SERVICE
12882 OR 13081 TTY SUB SET IN METAL CABINET

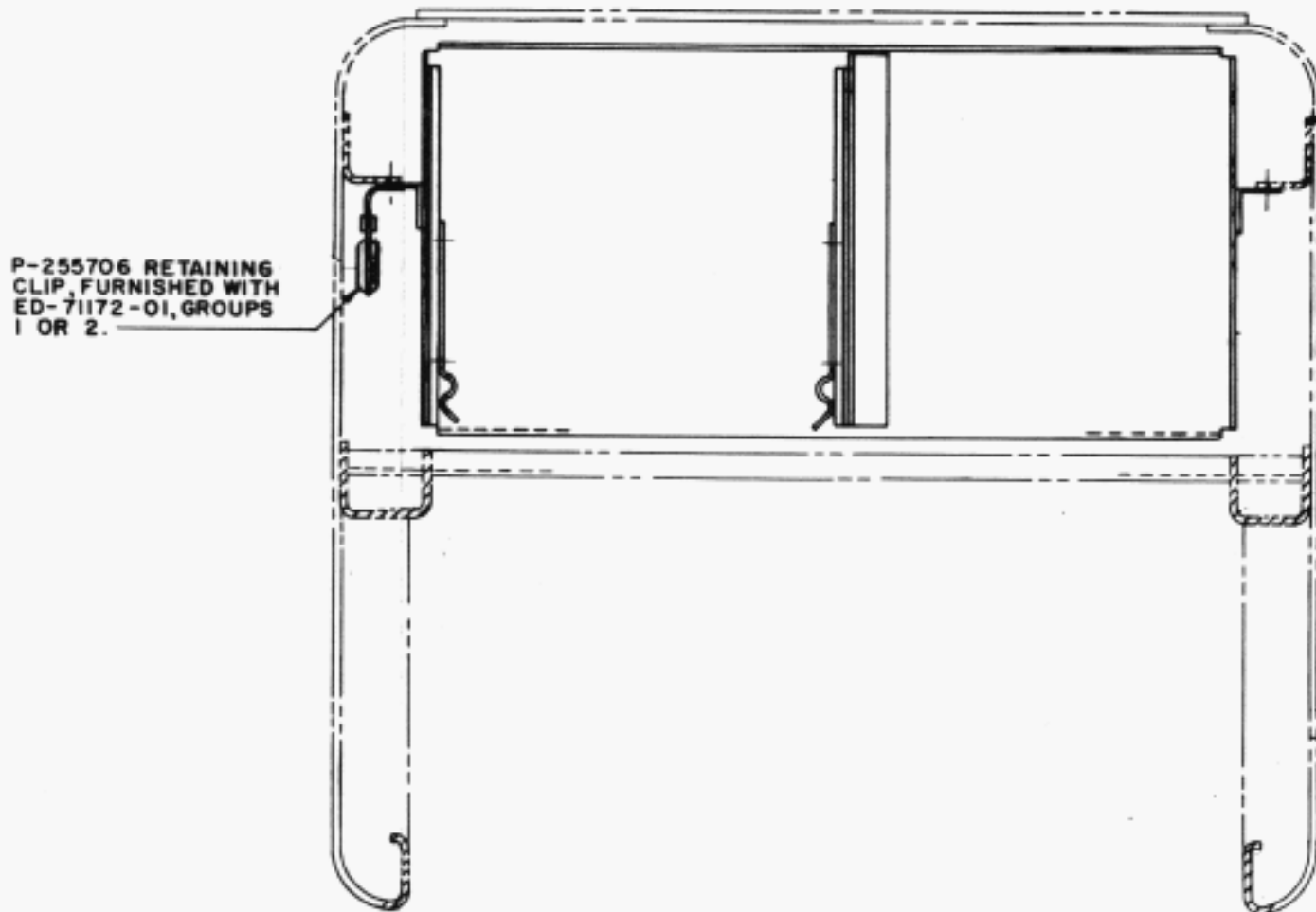
FIG. 1

P-255706 RETAINING
CLIP, FURNISHED WITH
ED-71172-01, GROUPS
1 OR 2.

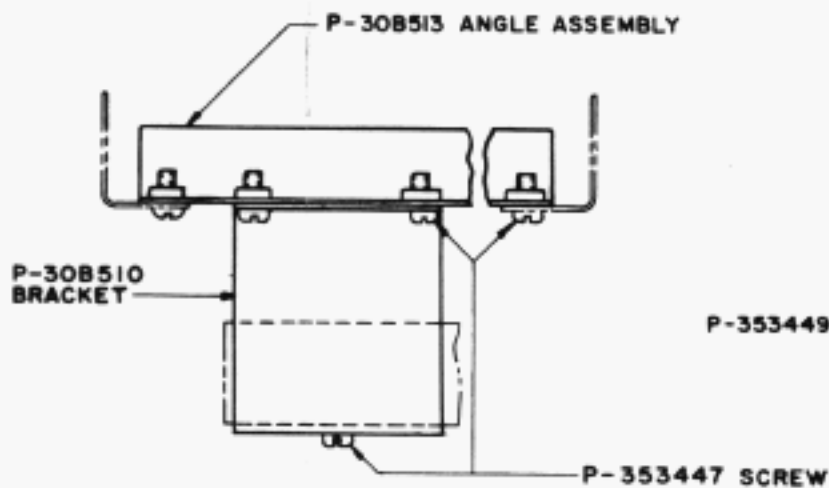


ASSEMBLY FOR PRIVATE LINE SERVICE
128B2 OR 130B1 TTY SUB SET WITHOUT METAL CABINET

FIG. 2

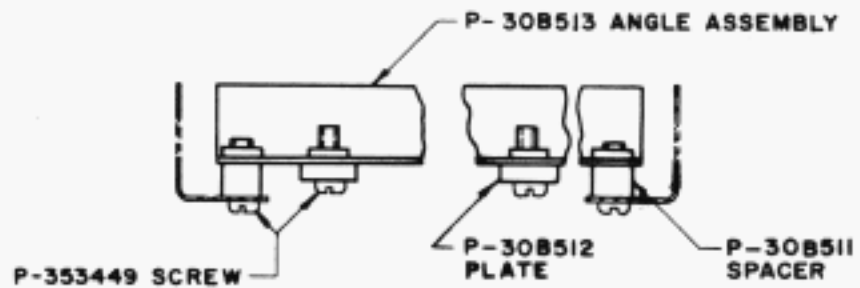


SECT B-B



MOUNTING DETAILS FOR TOP OF 130B1 TTY SUB SET FURNISHED WITH ED-71172-01, G1

SECT C-C



MOUNTING DETAILS FOR TOP OF 128B2 TTY SUB SET FURNISHED WITH ED-71172-01, G2

SECT D-D

P-30B518, MTG SHELF ASSEM. FURNISHED WITH ED-71172-01, GROUPS 1 OR 2. MTG SCR & WEDNUT FURNISHED WITH BLE

28B TTY CABINET

ASSEMBLY FOR PRIVATE LINE SERVICE OR 130B1 TTY SUB SET WITHOUT METAL CABINET

FIG. 2

TTY STATION ASSEMBLY IN 28B TTY CABINET PRIVATE LINE SERVICE 128B2 OR 130B1 TTY SUB SET WITH OR WITHOUT METAL CABINET