

BELL SYSTEM PRACTICES
Teletypewriter and Manual
Telegraph Station and P.B.X.
Installation and Maintenance

SECTION P35.634
Issue 1, August, 1950
AT&T Co Provisional

REPERFORATOR TRANSMITTER UNITS

14D AND 14E

REQUIREMENTS AND PROCEDURES

1. GENERAL

1.01 This section provides the requirements and procedures for the maintenance of the 14D and 14E reperforator transmitter units.

1.02 The 14D unit is comparable to the 14F unit and the 14E unit is comparable to the 14G unit. Except as otherwise specified herein, the entire BSP Section P35.633 covering requirements and procedures for the 14F and 14G reperforator transmitters, shall apply to the 14D and 14E reperforator transmitters.

2. REQUIREMENTS AND PROCEDURES

Note: The following subject matter in BSP Section P35.633 applies only to the 14F and 14G reperforator transmitters and should not be used for the 14D and 14E units.

Tape-Feed-Pin Oscillator Spring

Tape-Feed-Lever Extension Spring

Tape-Feed-Pin Oscillating Lever Spring

Tape-Feed-Indicator Contact Assembly

Note: For the 14D and 14E units, the requirements and procedures outlined herein in Paragraphs 2.01 to 2.03 inclusive, replace the corresponding material of BSP P35.633.

2.01 Tape-Feed-Pin Oscillator Pressure-Stop Spring: With the sensing shaft in its stop position, it should require Min. $\frac{3}{4}$ oz., Max. $1\frac{3}{4}$ oz. to start the feed-pin oscillator moving. **Fig. 1**

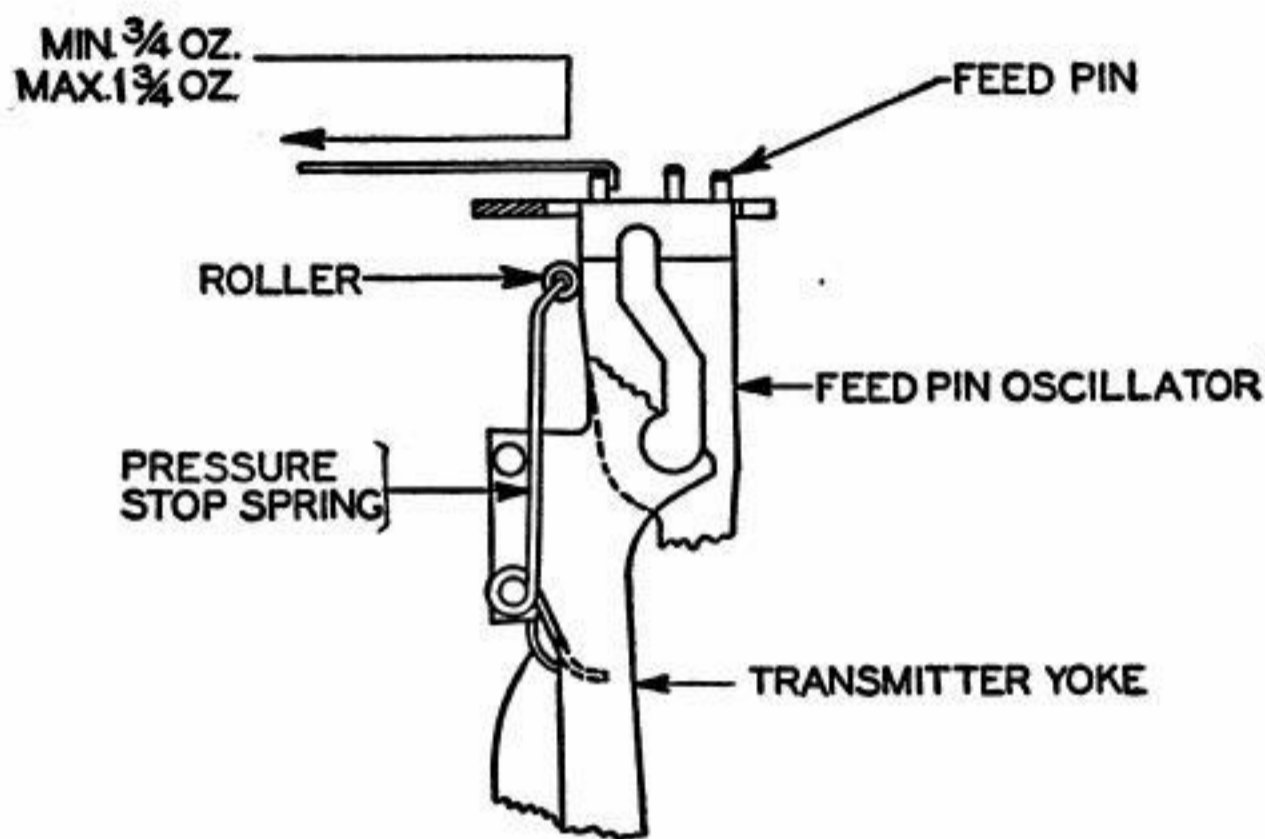


Fig. 1

(a) To gauge, hook the pull end of the scale over the left-hand feed pin in the tape feed pin oscillator and pull to the left.

(b) To adjust, bend the oscillator pressure stop spring. The spring roller should be approximately at right angles to the front of the unit.

2.02 Tape-Feed-Lever Extension Spring: It should require Min. 44 oz., Max. 52 oz. to extend the feed-lever extension spring to position length when the tape-feed-lever roller is resting on its cam and the sensing cam is in its stop position. **Fig. 2**

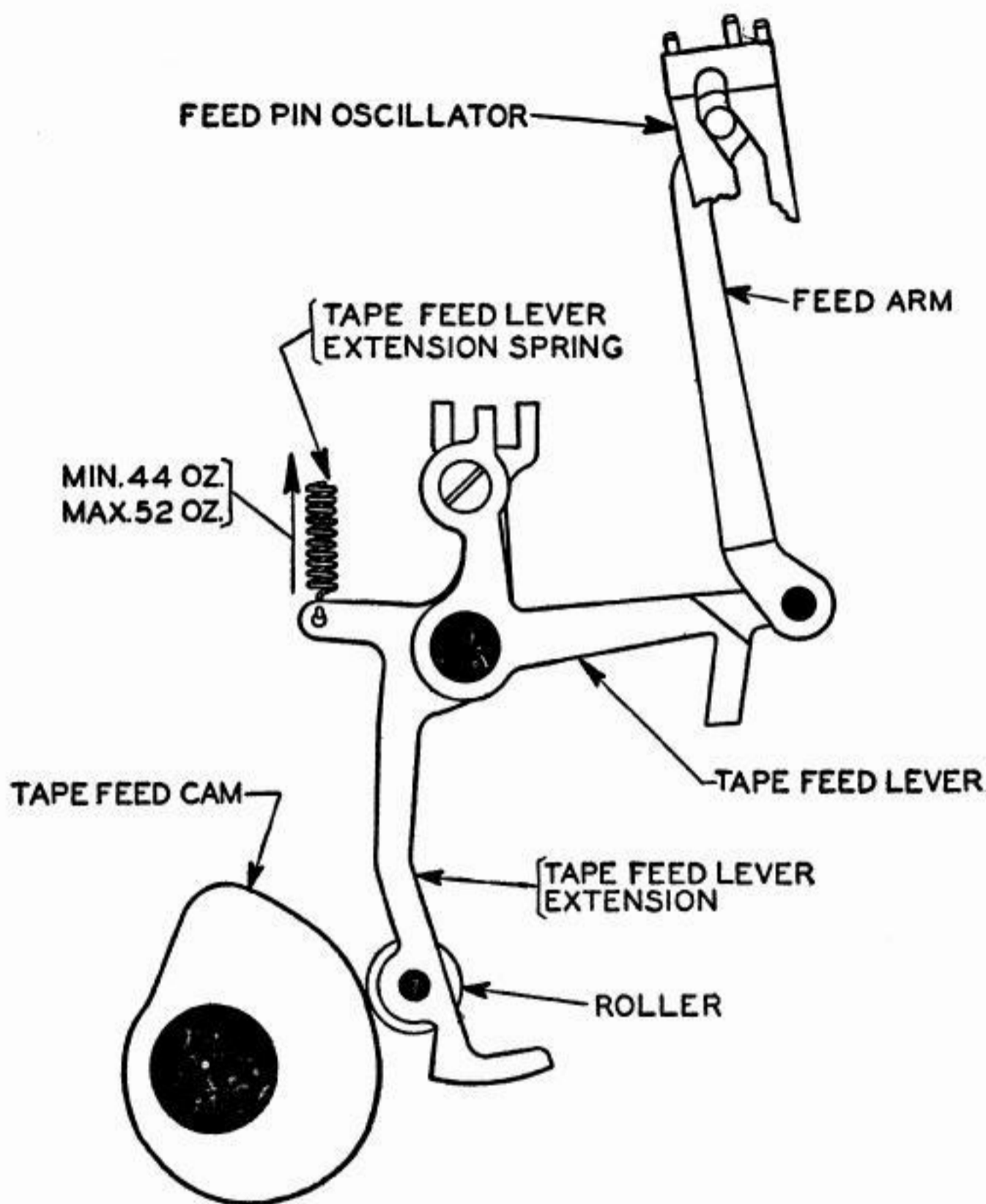


Fig. 2

(a) To gauge, unhook the upper end of the tape-feed-lever extension spring from its bracket, hook the pull end of the scale through the spring eye and pull upward to position length. Rehook spring.

2.03 Tape-Feed-Pin Oscillating-Lever Extension Spring:
It should require Min. 28 oz., Max. 34 oz. to extend the oscillating-lever extension spring to position length when

the cam follower tip of the oscillating-lever extension is resting firmly on its cam.

Fig. 3

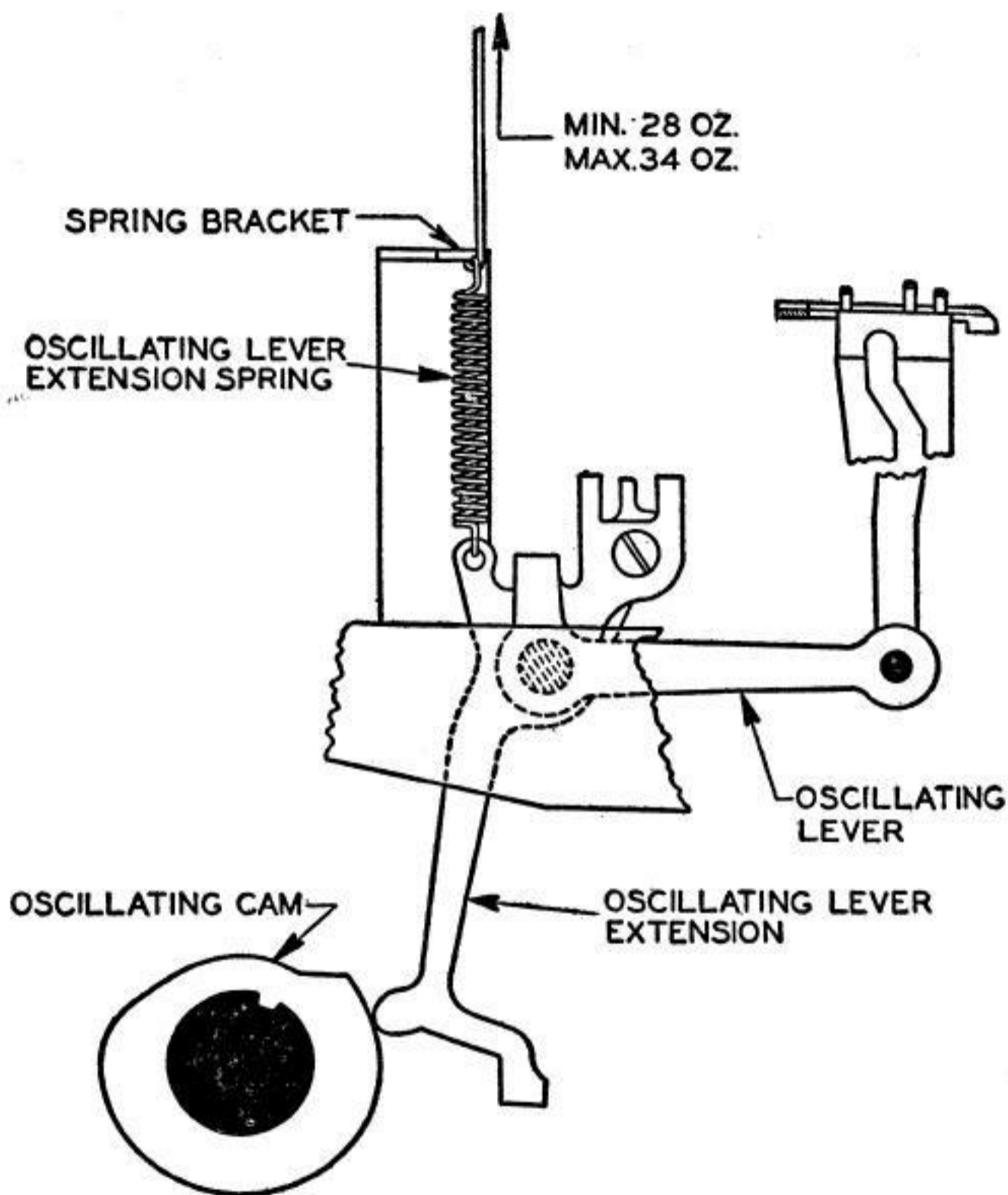


Fig. 3

(a) To gauge, unhook the tape-feed-pin oscillating-lever-extension spring from its bracket, hook the pull end of the scale through the spring eye and pull upward to position length. Rehook spring.