

BELL SYSTEM PRACTICES
Teletypewriter Stations

SECTION P33.301
Issue 1, June, 1953
AT&T Co Standard

NO. 1 TYPE MULTIPLE TRANSMITTER AND BASE WIRING DIAGRAM

1. GENERAL

1.01 This section shows the wiring of the No. 1 Type Multiple Transmitter unit and base.

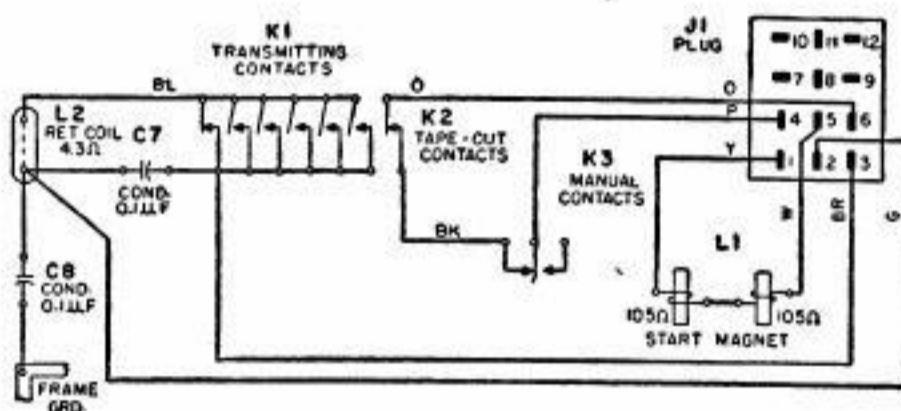


Fig. 1—Multiple Transmitter—Message Type

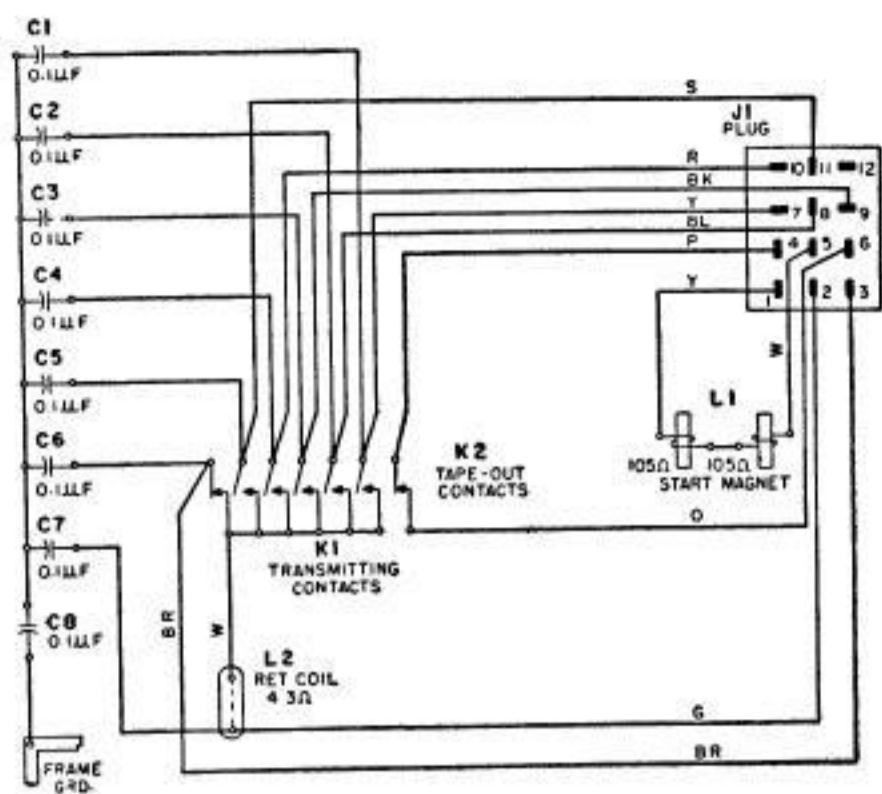


Fig. 2—Multiple Transmitter—Numbering Type

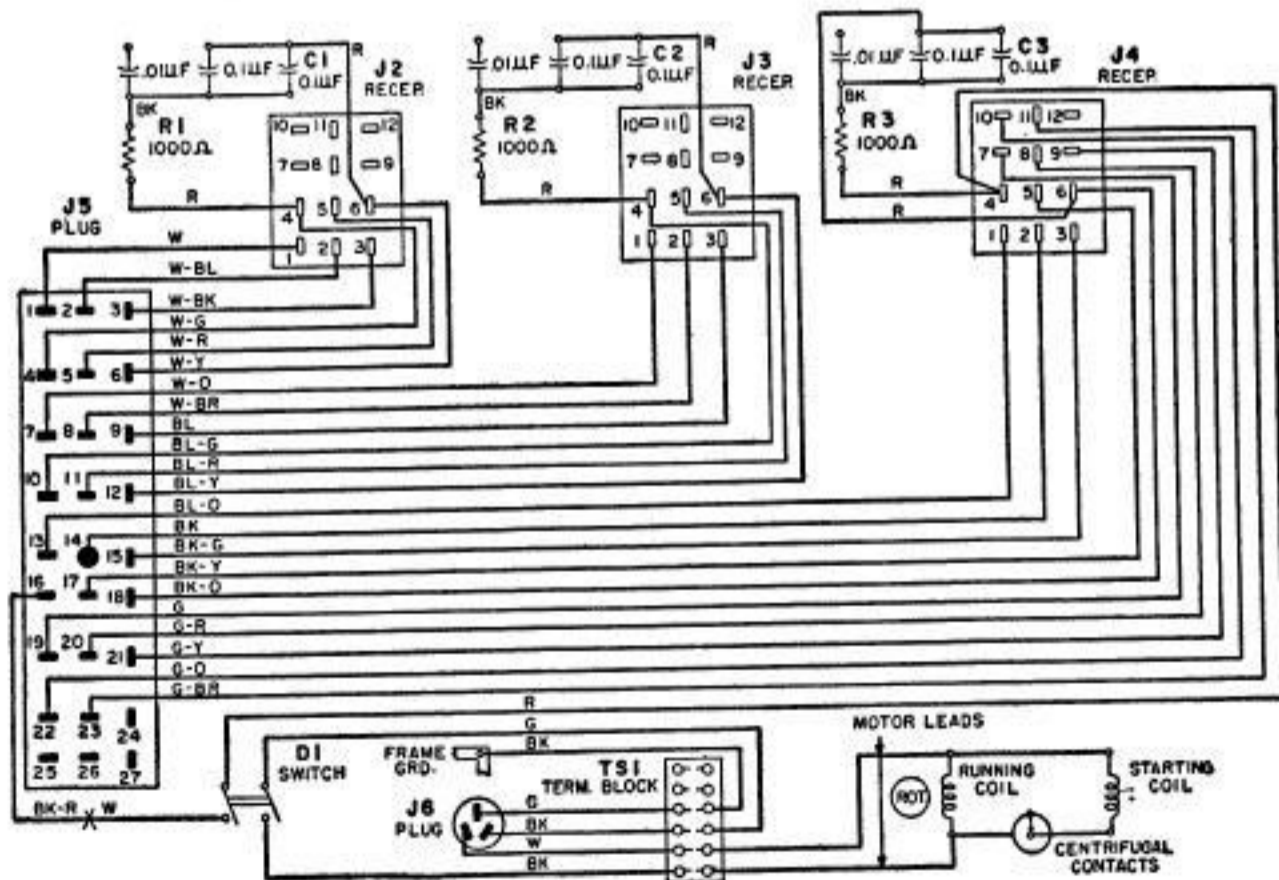


Fig. 3—Multiple Transmitter Base