

BELL SYSTEM PRACTICES
Teletypewriter Stations

SECTION P30.753
Issue 4, April, 1953
AT&T Co Standard

MODIFICATION OF 126A2 SUBSCRIBER SET

19A TABLE

1. GENERAL

1.01 This section contains information for modifying the 126A2 teletypewriter subscriber set for use on a 19A table to provide an external local test feature.

1.02 This section is reissued to make corrections in Paragraphs 1.01 and 1.02. ←

1.03 The use of the power switch on the table and the line test key in the teletypewriter is eliminated. Their functions are combined in the switch of the 126A2 set which is equipped with a modified yoke to join the three individual switches. This yoke allows the power switch to be operated to the "on" position independently of the other two switches so as to connect the 19 set automatically to a local circuit for local operation without further manipulation of keys or switches.

1.04 The new arrangement is not being made available at the present time on a standard basis and, where desired, it is necessary to make the modifications locally. The sketches attached show arrangements applicable to TWX stations operating from TWX switchboards 1 and 1A, 3 and 3A, 5, open line TLT boards and teletypewriter line concentrating units Nos. 101, 101A and 102A. For other applications it will be necessary to make slight modifications in the wiring diagrams.

2. METHOD OF OPERATION

2.01 For making a call, the yoke connecting the three switches is operated to the "on" position. This turns on power to the set and signals the central office. To shut the set down the power switch, which is separated from the yoke on one side, is operated to the "off" position and this operation causes the entire yoke to move so that all switches are returned to their normal "off" position.

2.02 To operate locally for preparing tape or for practicing, the power switch alone is operated to the "on" position. This connects power to the set and energizes the local circuit which is provided external to the teletypewriter by employing a 151A1 resistance unit. After preparing tape, if a call is to be placed, the yoke with the other two switches is then operated to the "on" position. This removes the teletypewriter from the local circuit and connects it to the line so as to signal the central office. If a call is not to be made after preparing the tape, the power switch is merely returned to the "off" position.

3. EQUIPMENT

3.01 The additional equipment required is as follows:

1 BL11334 Hubbell Switch Assembly

1 BL11332 Hubbell Yoke

1 SDS 1500 Pass and Seymour Mounting Strap

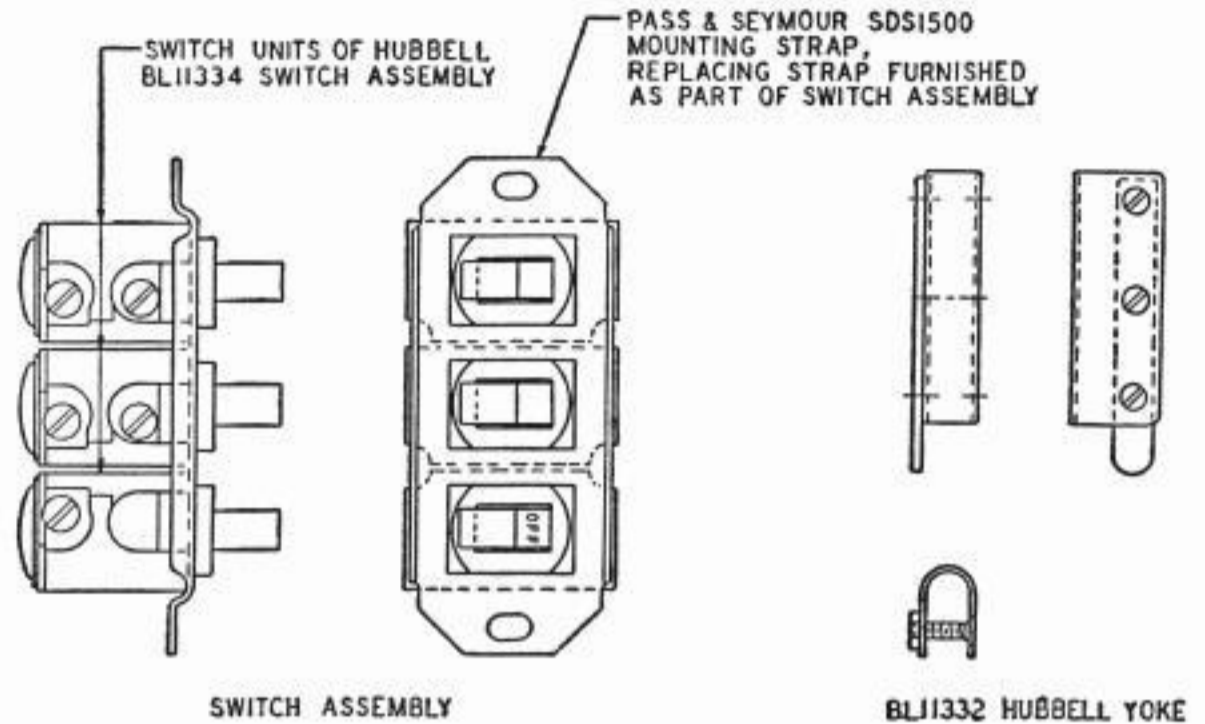
1 M2DG Cord

1 151A1 Teletypewriter Resistance Unit

3.02 The M2DG cord is for connecting in the 151A1 resistance unit. The unit is regularly provided with a plug which fits the cord. The switches of the Hubbell switch assembly are to be mounted in the 126A2 switch box in place of the old switch assembly using the new mounting strap as shown in Fig. 1.

4. CONNECTION DIAGRAMS

4.01 The following figures show modification of switch and installation connections.



NOTE:
 A BL11332 HUBBELL YOKE SHALL BE ASSEMBLED ON UPPER TWO SWITCH LEVERS AFTER SWITCH ASSEMBLY AND BOX COVER ARE IN PLACE. THE EXTENSION PIECE OF YOKE SHALL BE ON LEFT SIDE OF LEVERS TO PERMIT OPERATING BOTTOM UNIT TO "ON" POSITION INDEPENDENTLY OF OTHER UNITS OF SWITCH.

Fig. 1 (SA 6.24)—Assembly of Line-Power Switch of 126A2 Set Arranged for External Line-Cut Test Ckt.—19A Table.

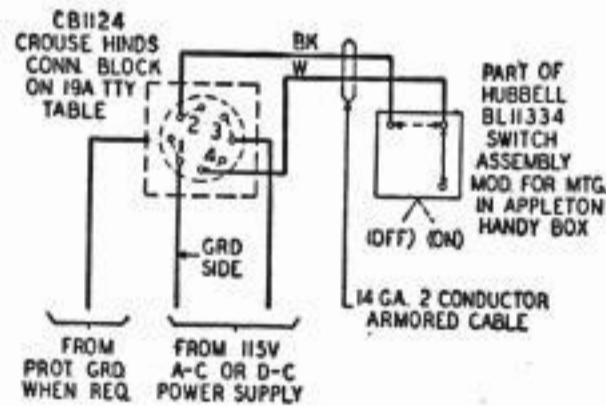


Fig. 2 (P 6.10)—19A Table—126A2 Set with External Line-Test.

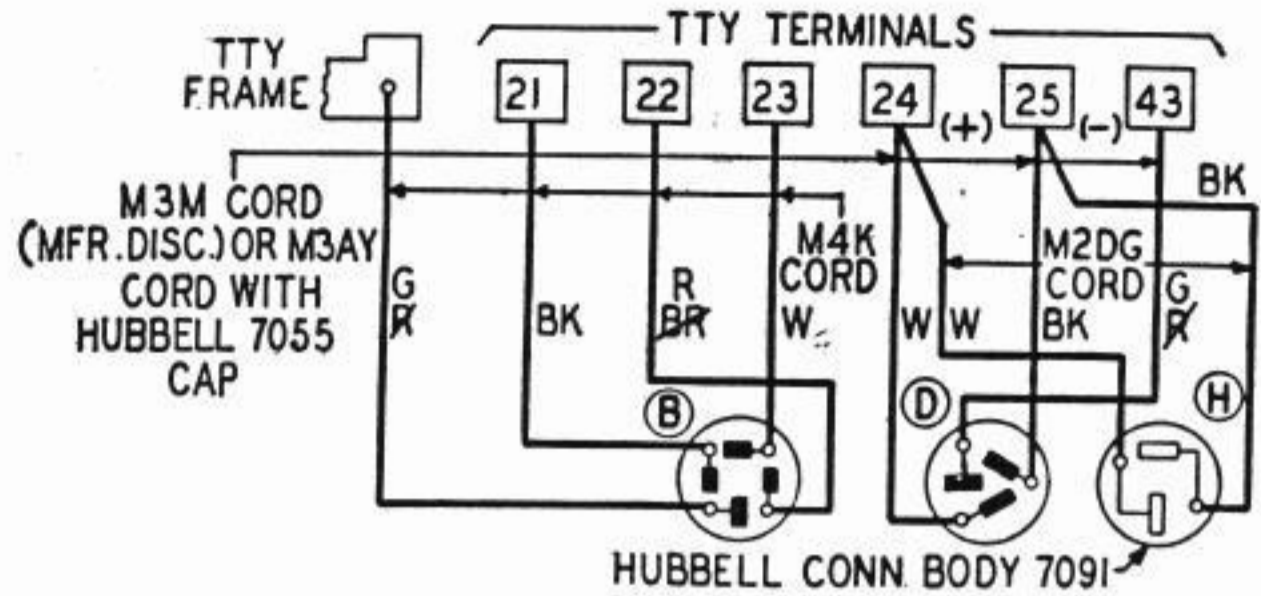


Fig. 3 (PM 3.12)—19 TTY Set—126A2 Set with External Line-Test—115 V. A-C.

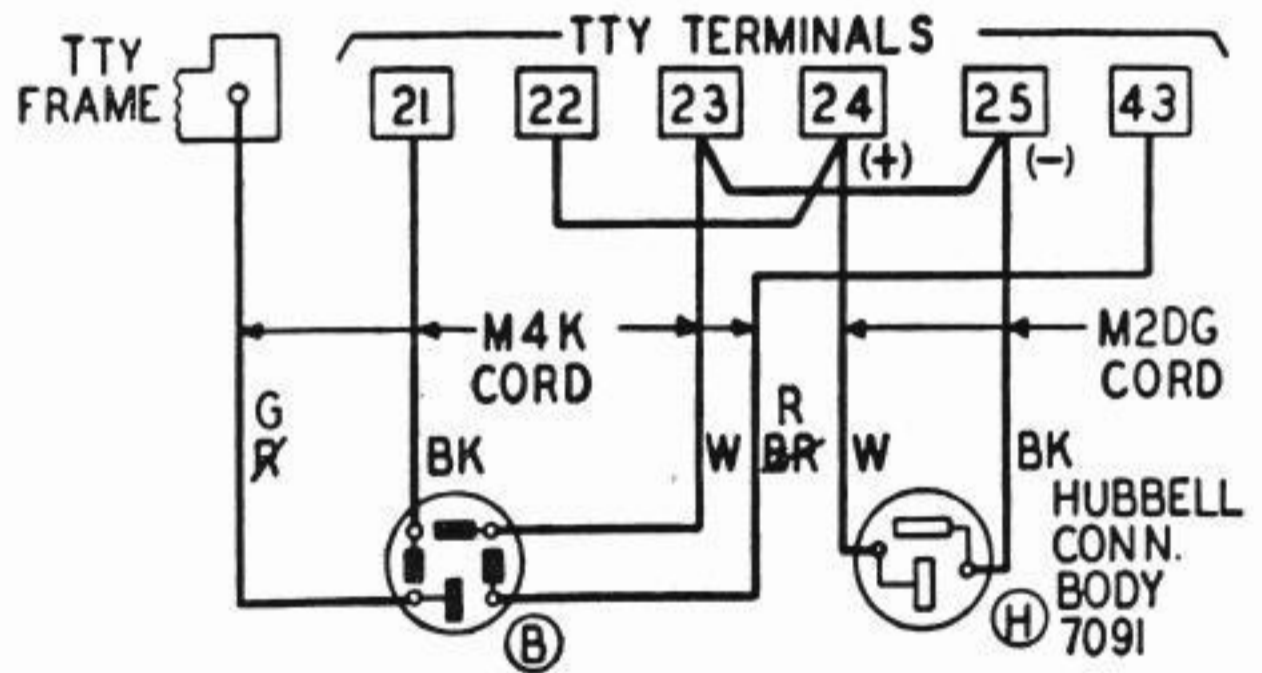


Fig. 4 (PM 3.10)—19 TTY Set—126A2 Set with External Line-Test—115 V. D-C Ungrded. or with Neg. Side Grded.

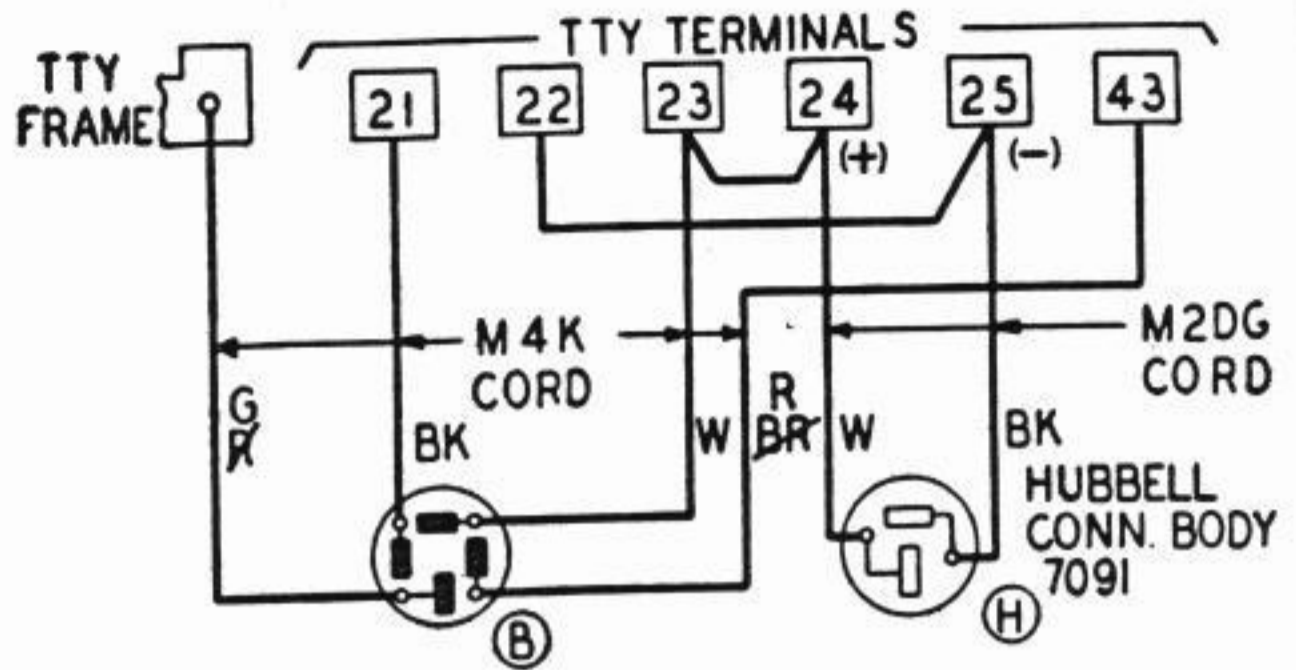


Fig. 5 (PM 3.11)—19 TTY Set—126A2 Set with External Line-Test—115 V. D-C with Pos. Side Grded.

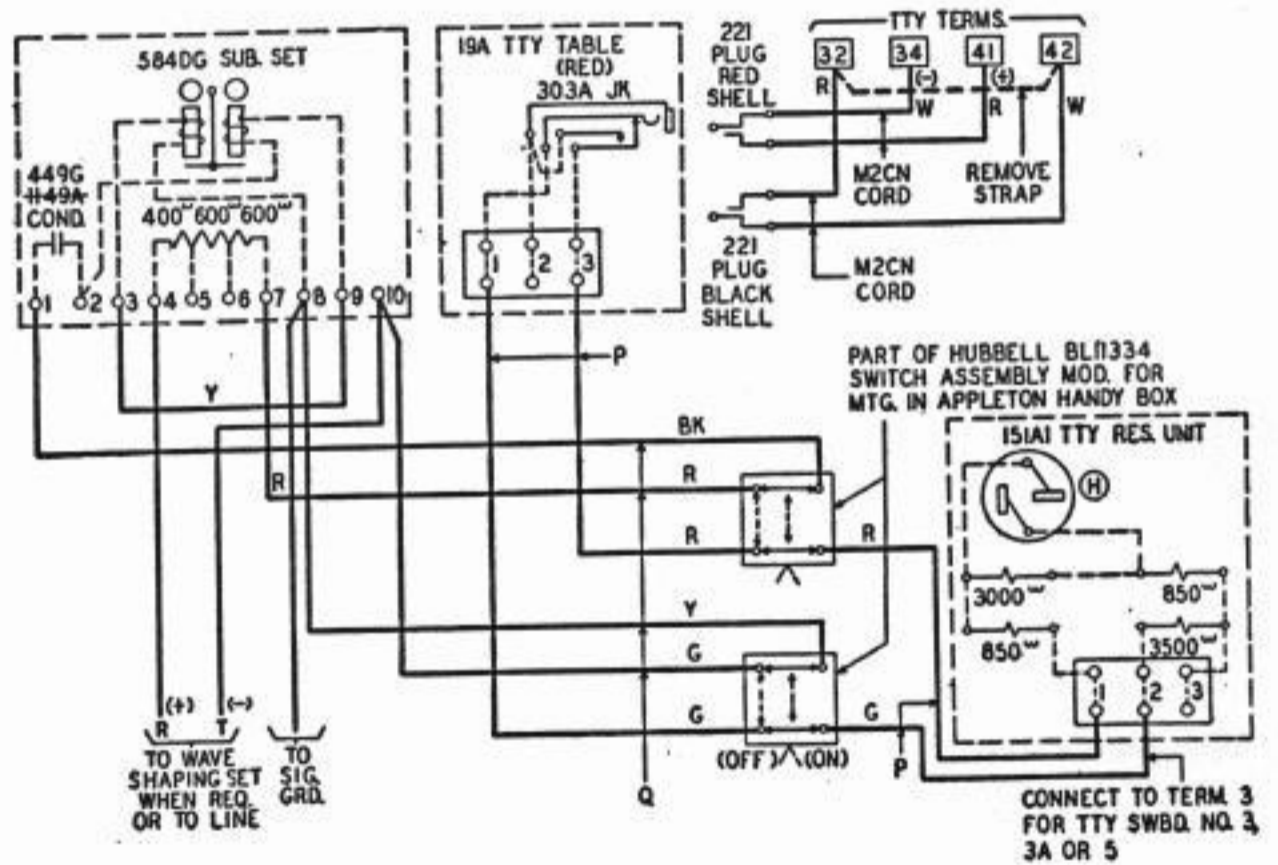


Fig. 6 (LS 2.36)—126A2 Set with External Line-Test—19A Table Swbds. with Flashing Recall—Local Line.

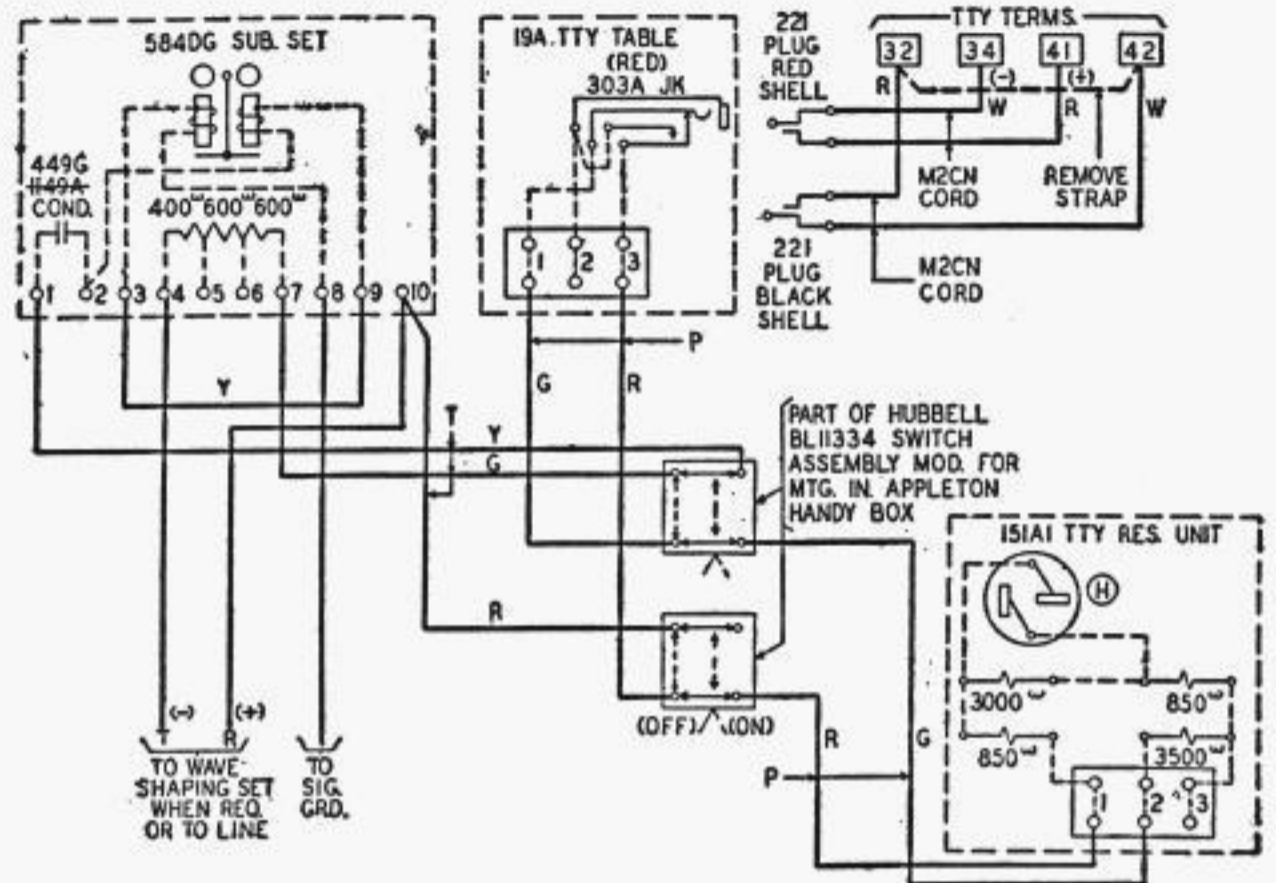


Fig. 7 (LS 2.38)—126A2 with External Line-Test—19A Table Line Concentrating Unit No. 101—Local Line.

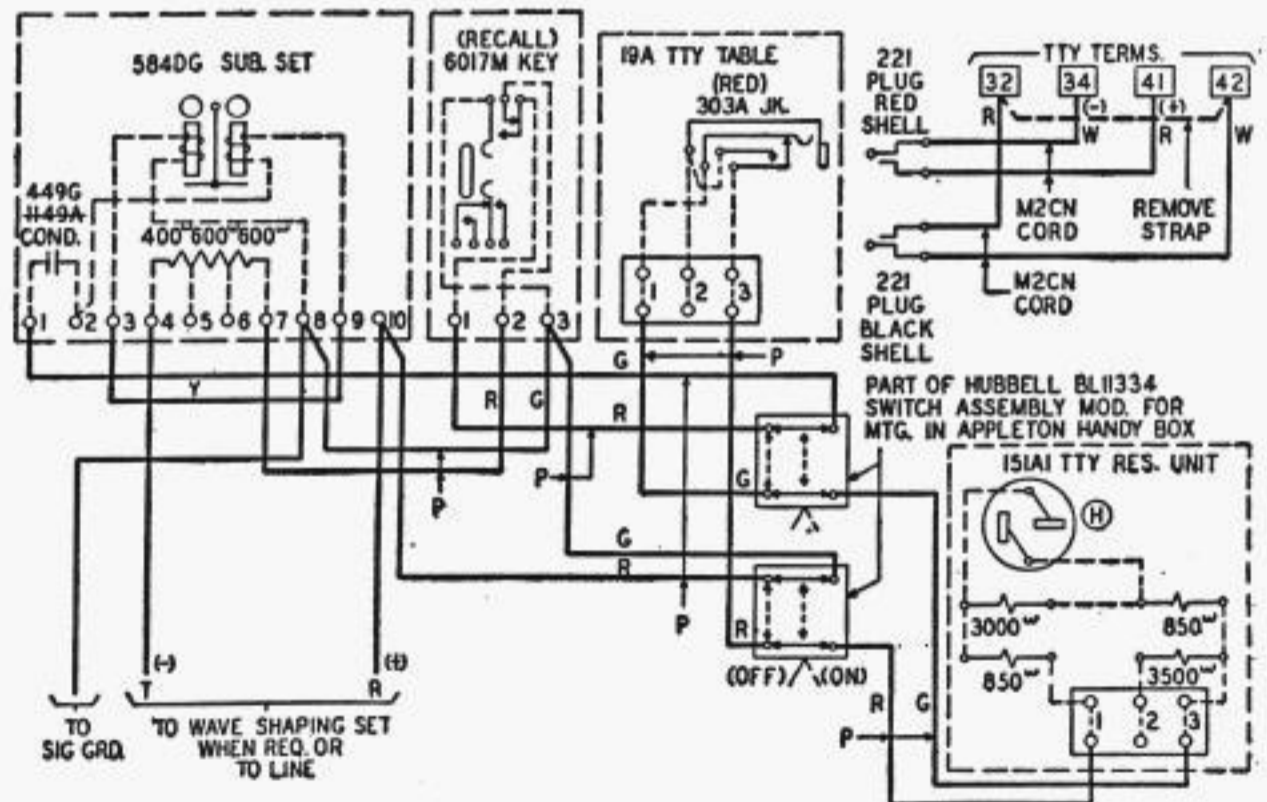


Fig. 8 (LS 2.37)—126A2 Set with External Line-Test—19A Table Open Line Tlt. Bd.—Local Line.

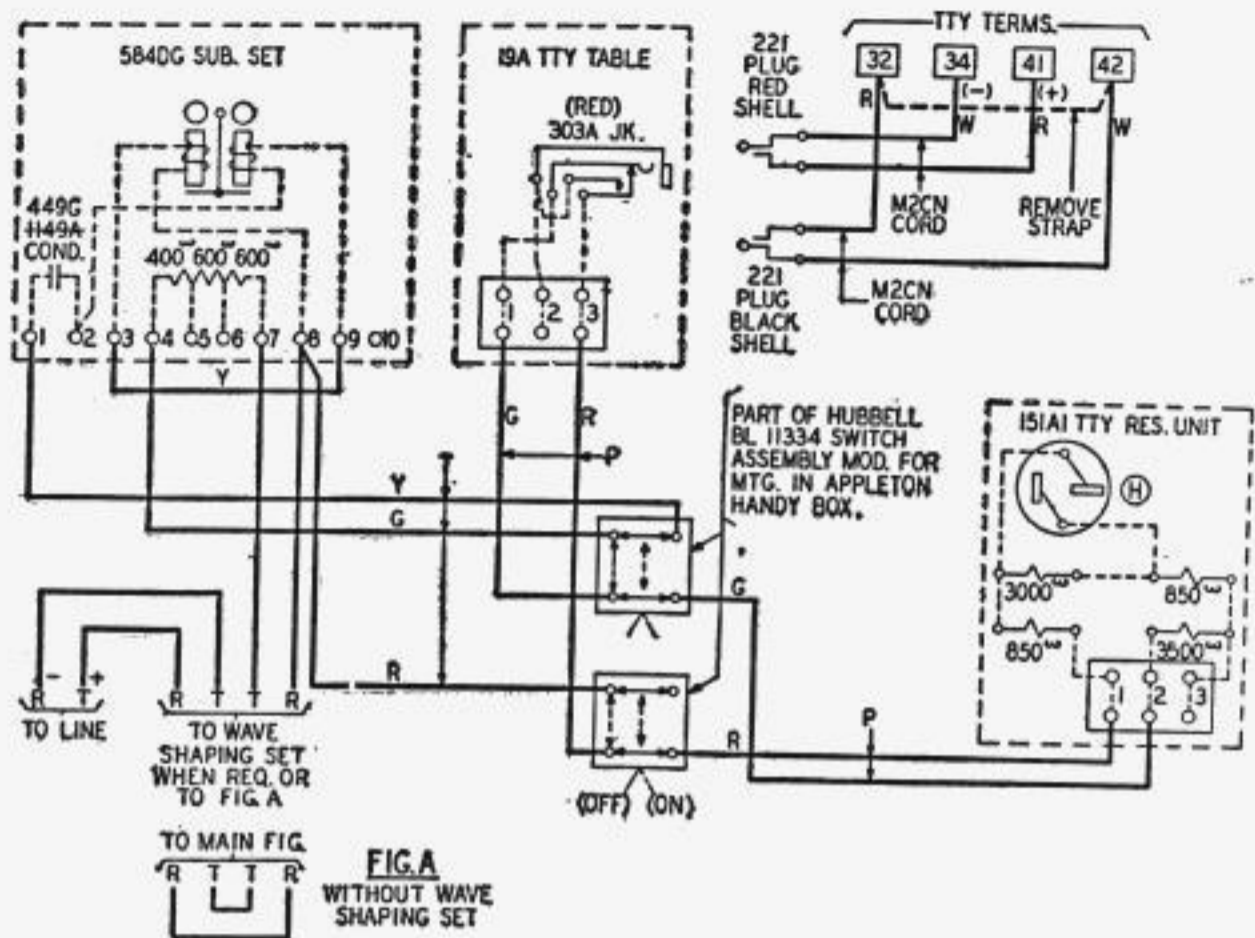


Fig. 9 (LS 2.61)—126A2 Set with External Line-Test—19A Table Line Concentrating Unit No. 101A or 102A—Local Line.

P30.753

Page 7
7 Pages

**MODIFIED 126A2 SET
19A TABLE**