

**BELL SYSTEM PRACTICES**  
**Teletypewriter and Data Stations**

**SECTION P30.656**  
**Issue 5, January, 1960**  
**AT&TCo Standard**

## **STATION ASSEMBLY**

### **19A TELETYPEWRITER**

### **TABLE**

#### **1. GENERAL**

1.01 This section gives the Station Assembly Plans for the 19A Table.

1.02 This section is reissued to show that the 531A3 subscriber set, the 393A3 jack, the 389A3 jack, the 128C1 subscriber set, the J86205J rectifier, the M2CL cord, the M2BM cord, and the 120C1 subscriber set have been rated Manufacture Discontinued; to add the 687A3 subscriber set, the 404B9 jack, the KS-5663, L7 rectifier, the M2DG cord, the 7091 Hubbell connector body, the 7092 Hubbell cap, the 120C2 teletypewriter subscriber set, the 150F1 wave shaping set, the TP115739CA tape winder, and the TP85575 tape-reel bracket assembly; to remove mounting screw piece part numbers; and to bring teletypewriter parts numbers up to date. Detail changes are as follows:

#### **For Plan SA6.01**

- (1) 531A3 subscriber set (Manufacture Discontinued) has been added.
- (2) 687A3 subscriber set has been added.
- (3) P-160201 screws have been changed to No. 8 RHW screws.

#### **For Plan SA6.09**

- (4) 389A3 jack has been designated 389A3 jack (Manufacture Discontinued).
- (5) 404B9 jack has been added.
- (6) It has been indicated that the P-201532 screw is for 389A3 jack only.

**For Plan SA6.20**

- (7) Special 6017 key per D99010 has been designated 6017-type key.
- (8) 120C1 subscriber set has been designated 128C1 (Manufacture Discontinued).
- (9) P-160643 screws have been changed to 10 x 3/4 RHW screws.
- (10) 389A3 jack has been designated Manufacture Discontinued.
- (11) 404B9 jack has been added.
- (12) Designation of screws has been changed to indicate that mounting screws are included with apparatus.
- (13) P-160201 screws for mounting Hubbell base have been changed to 8 x 3/4 RHW screws.
- (14) J86205J rectifier has been designated Manufacture Discontinued.
- (15) KS-5663, L7 rectifier has been added.
- (16) P-210018 screws have been changed to 12 x 1-3/4 RHW screws.
- (17) M2CL cord has been designated Manufacture Discontinued.
- (18) M2DG cord and 7091 Hubbell connector body have been added.
- (19) M2BM cord has been designated Manufacture Discontinued.
- (20) M2DG cord and 7092 Hubbell cap have been added.
- (21) P-160974 screws have been changed to .190-32 x 1 FHM screws.
- (22) P-160789 screw has been changed to 10 x 1 RHW screw.
- (23) 120C1 teletypewriter subscriber set has been designated Manufacture Discontinued.
- (24) 120C2 teletypewriter subscriber set has been added.

**For Plan SA6.21**

- (25) 150F1 wave shaping set has been added.
- (26) P-160201 screw has been changed to 8 x 3/4 RHW screw.

**For Plan SA6.22**

- (27) P-160201 screws have been changed to 8 x 3/4 RHW screws.

**For Plan SA6.23**

(28) P-210115 screw has been changed to 5 x 3/4 RHW screw.

**For Plan SA6.25**

(29) 85832M tape winder has been designated TP85832 tape winder.

(30) TP115739CA tape winder has been added.

(31) 85428M tape reel has been designated TP85428 tape reel.

(32) 85429M tape-reel bracket assembly has been designated TP85429 tape-reel bracket assembly.

(33) TP85575 tape-reel bracket assembly has been added.

(34) 105T finish is no longer specified.

**For Plan SA6.26**

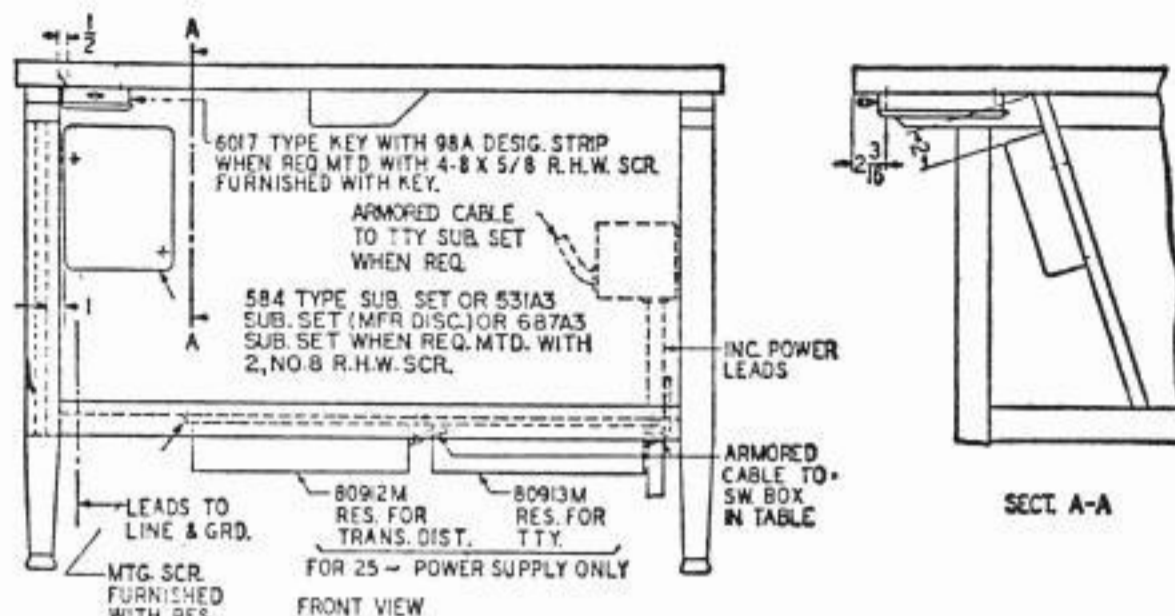
(35) 150F1 wave shaping set has been added.

1.03 The following plans are included:

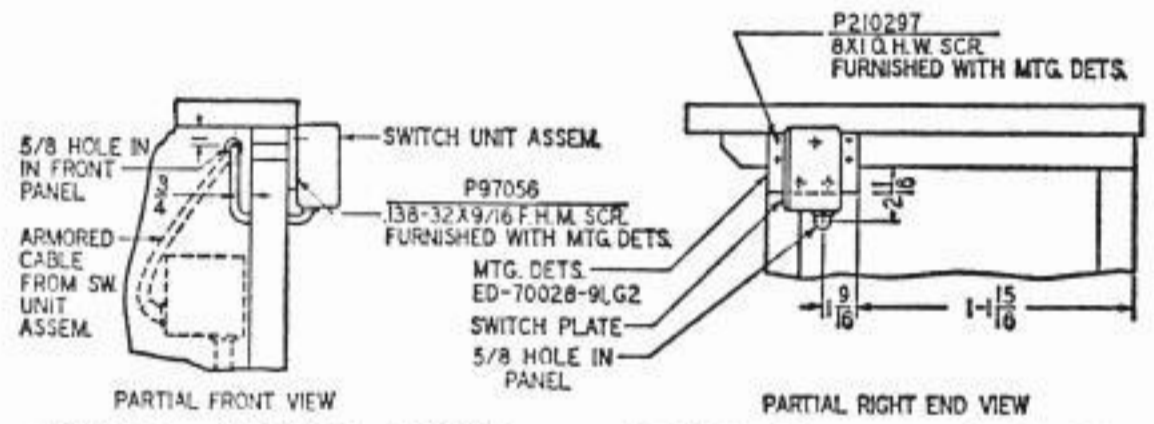
<u>Plan No.</u>	<u>Title</u>
SA6.01	19A Table—General Arrangement
SA6.02	126A1, 126A2 or 126B1 set
SA6.03	Selector Key—126A1 or 126A2 Set
SA6.04	Hubbell Base—126B1 or Type "A" Polarential Station
SA6.05	122A2 or 123A2 Set
SA6.06	Signal Lamp and Lamp Control Key 122A2 or 123A2 Set
SA6.07	One Selector Key—123A2 Set
SA6.08	Two Selector Keys—123A2 Set
SA6.09	389A3 Jack—122A2 Set or Private Line
SA6.10	Signal Bell—123A2 Set
SA6.11	Station Line Resistances—122A2 or 123A2 Set
SA6.12	125A2 Set
SA6.13	Selector Key—125A2 Set
SA6.14	120B1 Set
SA6.15	150A1, 150B1 or 150C1 Wave Shaping Set
SA6.16	Local Test Potentiometer Panel for Type "A" Polarential Station
SA6.17	584 Type Subset and 150A1, 150B1 or 150C1 Wave Shaping Set

<u>Plan No.</u>	<u>Title</u>
SA6.18	120C1, 120C2 or 120D1 Set—19A Table—Local Un-attended Service
SA6.19	Location of Generator Field Resistor
SA6.20	128C1 or 128C2 Set
SA6.21	150D1, 150E1 or 150F1 Wave Shaping Set
SA6.22	584 Type Subset and 150D1 or 150E1 Wave Shaping Set or Two Wave Shaping Sets
SA6.23	Local Test Potentiometer Resistances for Type "A" Polarential Station
SA6.24	Assembly of Line-Power Switch of 126A2 Set Arranged for External Line-Test Circuit
SA6.25	Location of Tape Winder and Tape Reel
SA6.26	Location of 584 Type Subset and Wave Shaping Set When Tape Reel Is Used
SA6.27	Location of 152A1 60 Cycle Induction Suppression Unit
SA6.28	Location of 151A1 TTY Res. Unit for External Line—Test
SA6.29	Location of KS-5536 Rectifier When Required for TWP Service
SA6.30	Location of 6017 Type Key
SA6.31	Location of 150D1 and 150E1, or Two 150E1 Wave Shaping Sets—19A Table (when location shown in SA6.22 is not available)

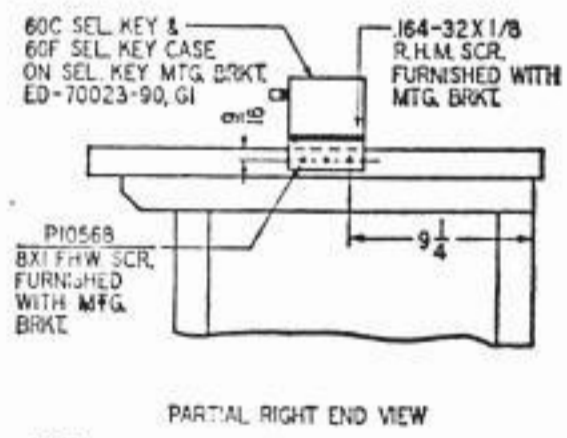
**Note:** When SA6.16 is used the 221A plug with red shell shall be plugged into the (line) jack on local test potentiometer panel and a 261A plug shall be inserted in the (red) jack in the 19A table.



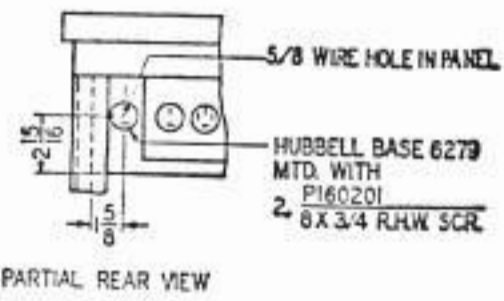
**SA6.01 — 19A Table — General Arrangement**



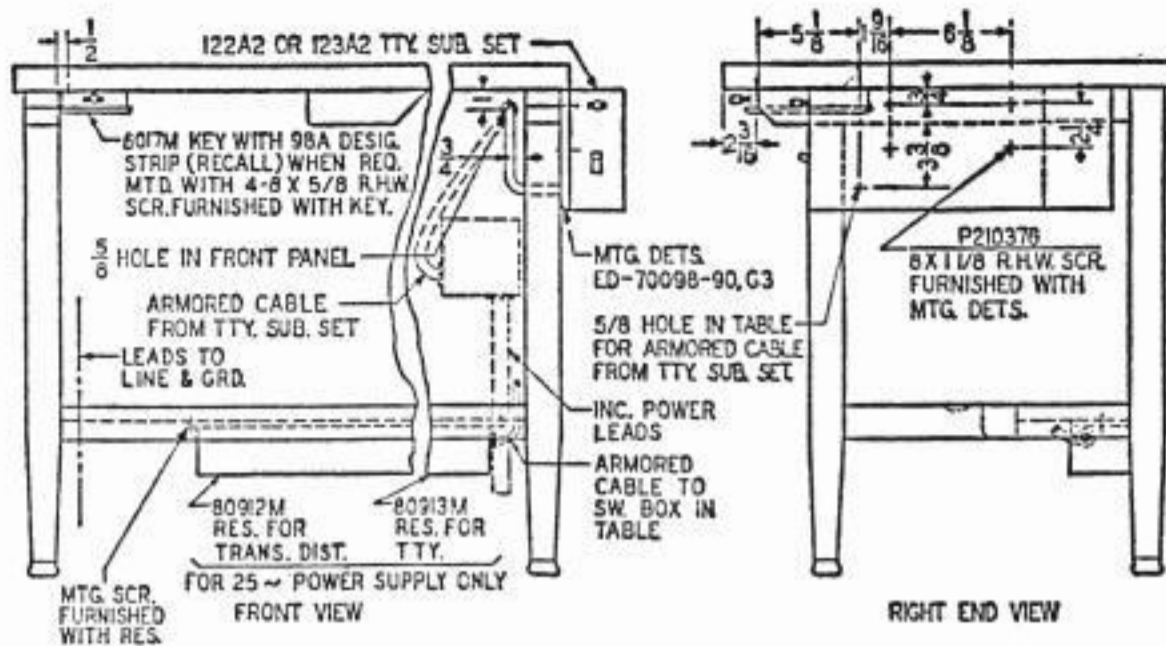
**SA6.02 — 126A1, 126A2 or 126B1 Set — 19A Table**



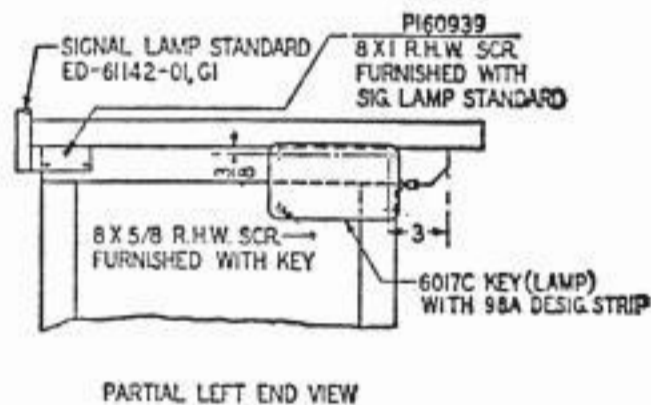
**SA6.03 — Selector Key — 126A1 or 126A2 Set — 19A Table**



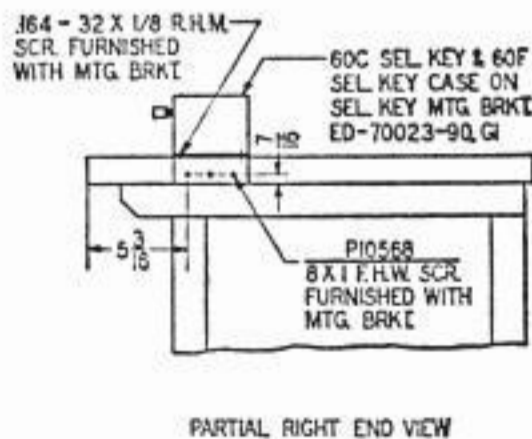
**SA6.04 — Hubbell Base — 126B1 or Type "A" Polarential Station — 19A Table**



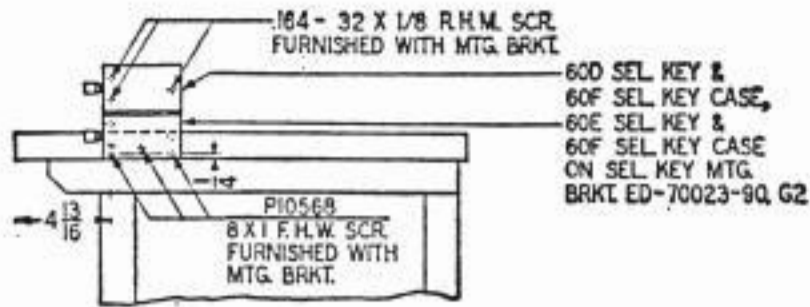
SA6.05 — 122A2 or 123A2 Set — 19A Table



SA6.06 — Signal Lamp & Lamp Control Key — 122A2 or 123A2 Set — 19A Table

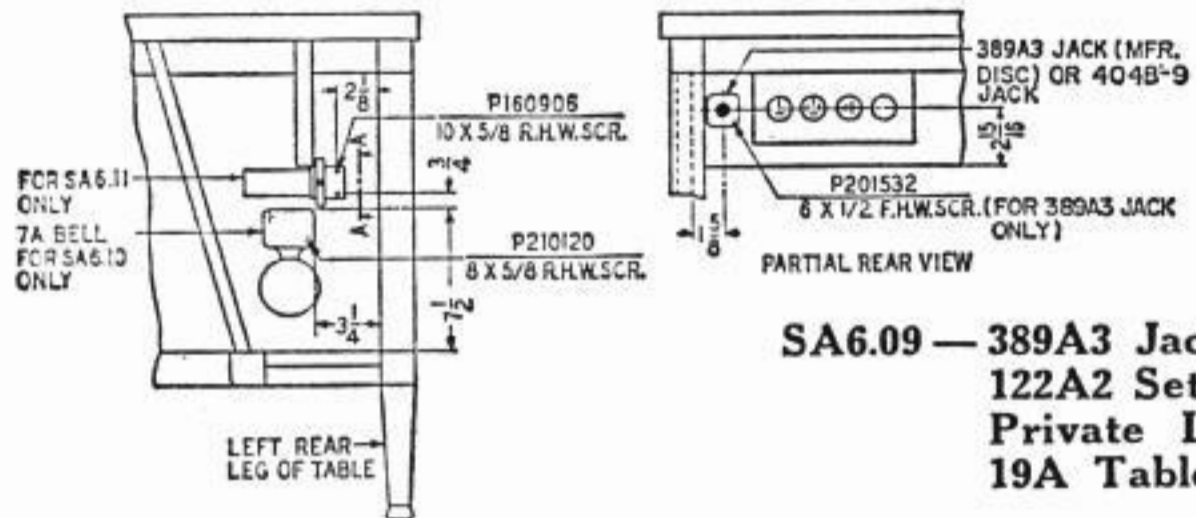


SA6.07 — One Selector Key — 123A2 Set — 19A Table



PARTIAL RIGHT END VIEW

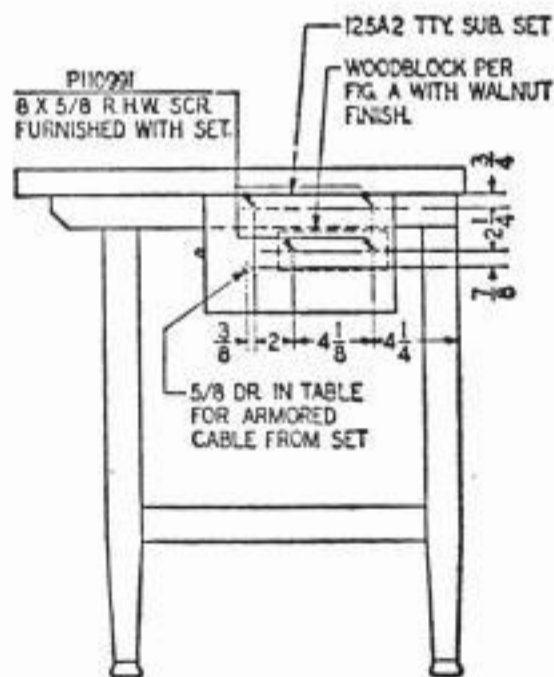
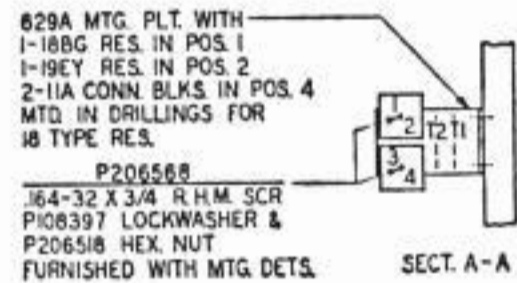
**SA6.08 — Two Selector Keys — 123A2 Set — 19A Table**



**SA6.09 — 389A3 Jack — 122A2 Set or Private Line — 19A Table**

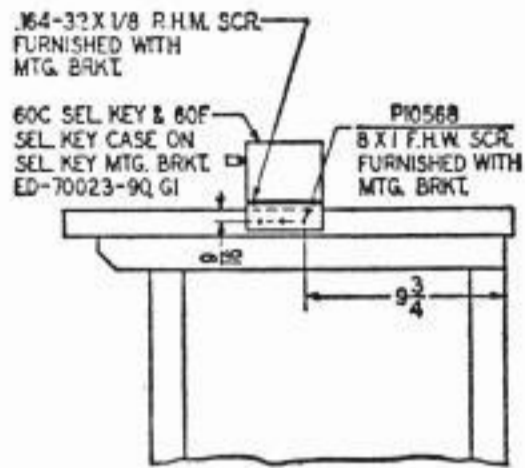
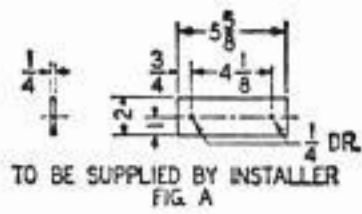
**SA6.10 — Signal Bell — 123A2 Set — 19A Table**

**SA6.11 — Station Line Resistances — 122A2 or 123A2 Set — 19A Table**



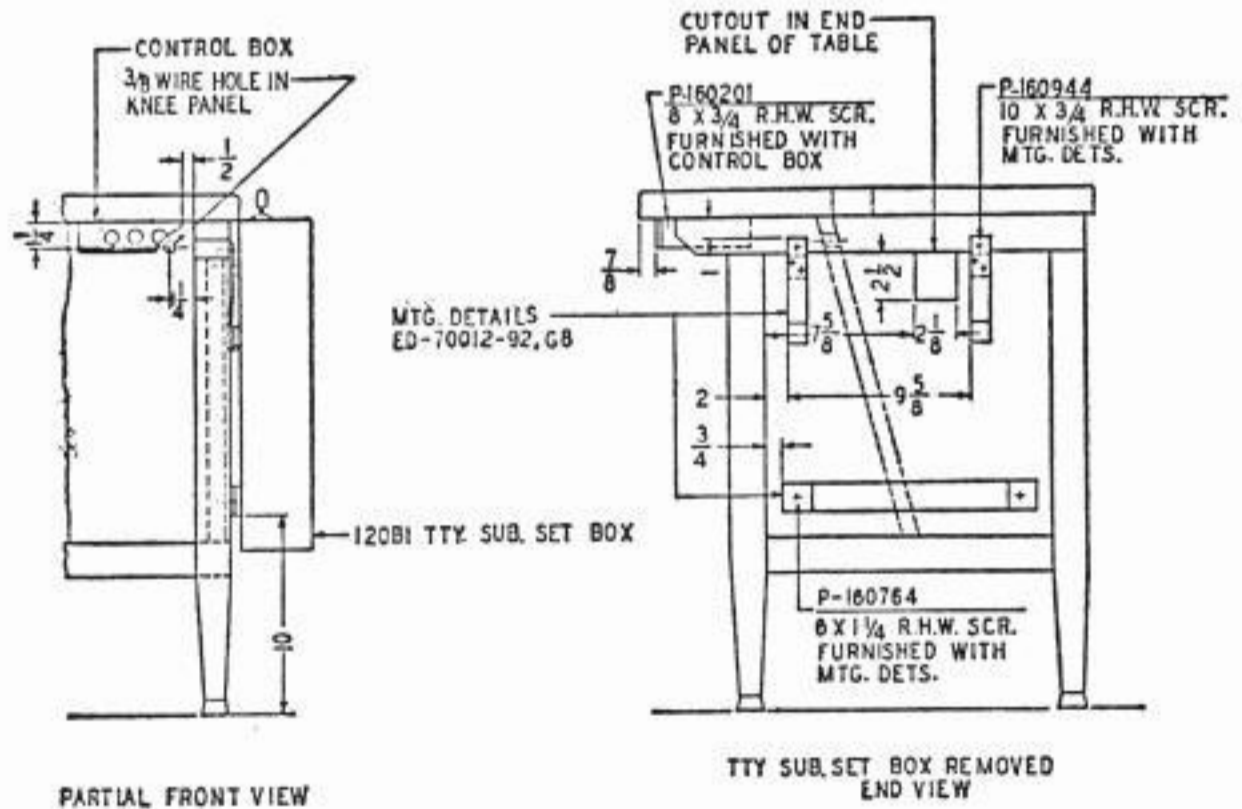
RIGHT END VIEW

**SA6.12 — 125A2 Set — 19A Table**



RIGHT END VIEW

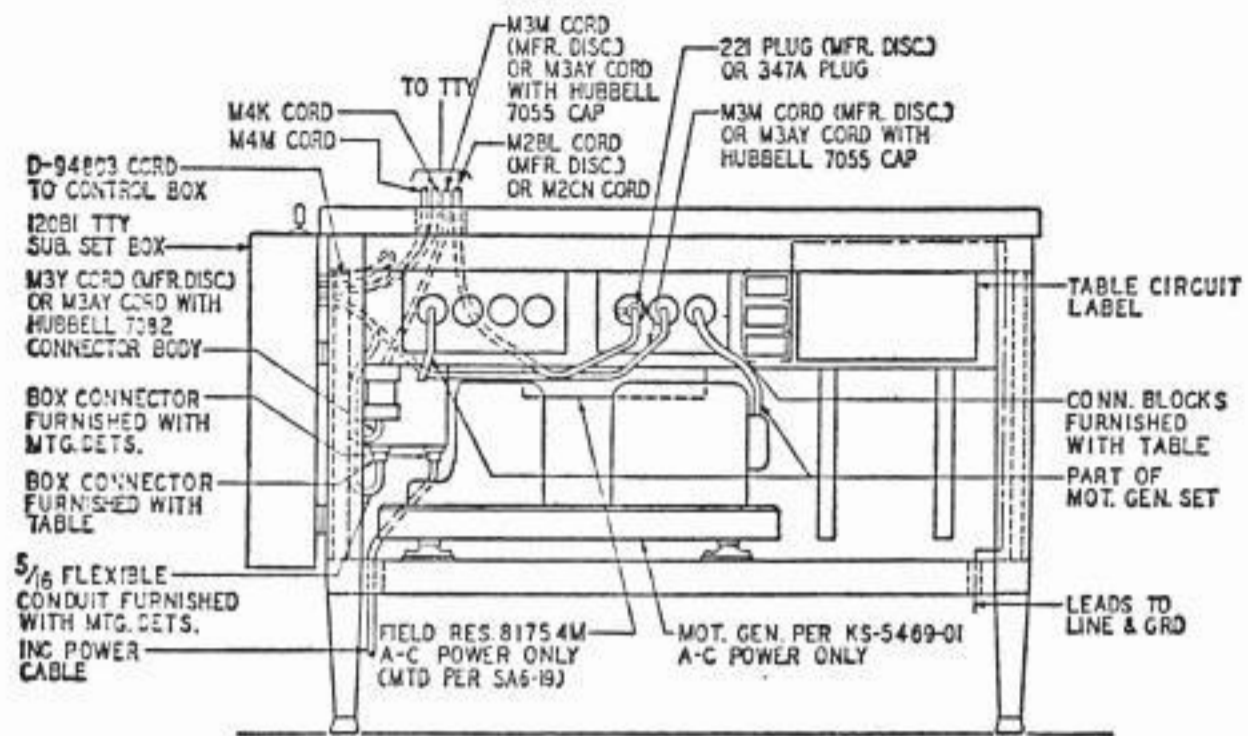
**SA6.13 — Selector Key — 125A2 Set — 19A Table**



PARTIAL FRONT VIEW

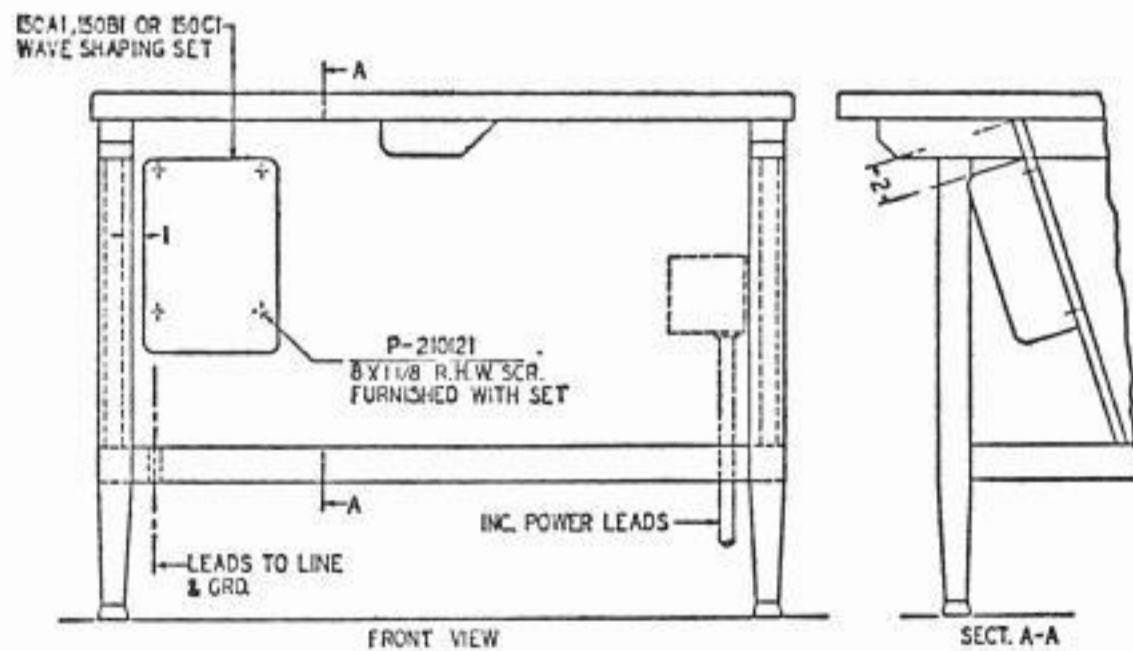
TTY SUB. SET BOX REMOVED  
END VIEW



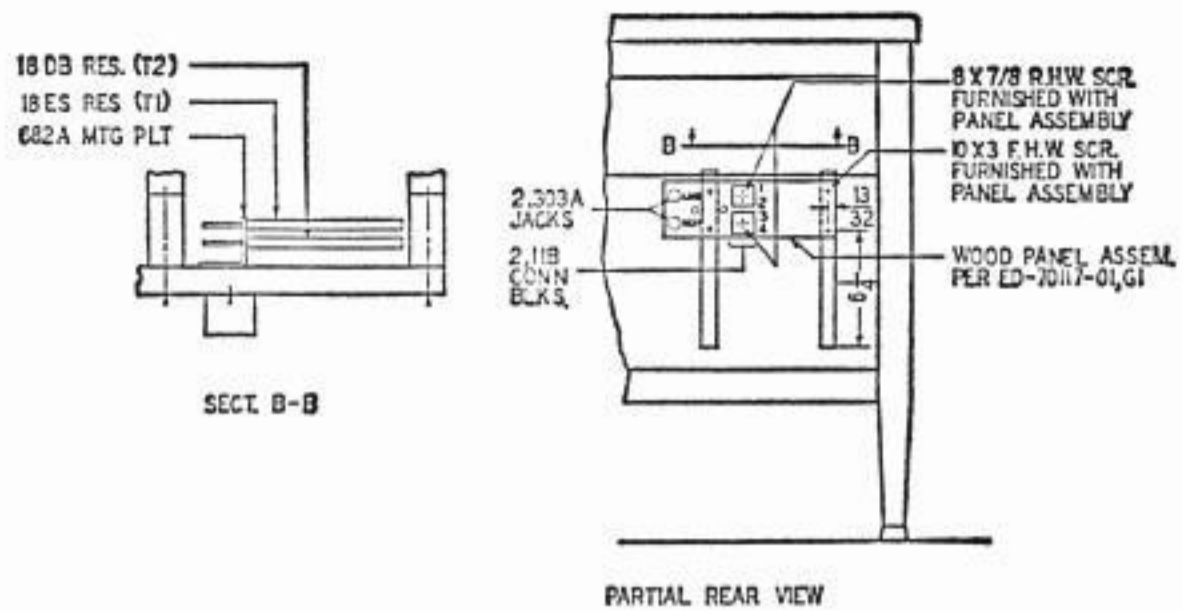


REAR VIEW

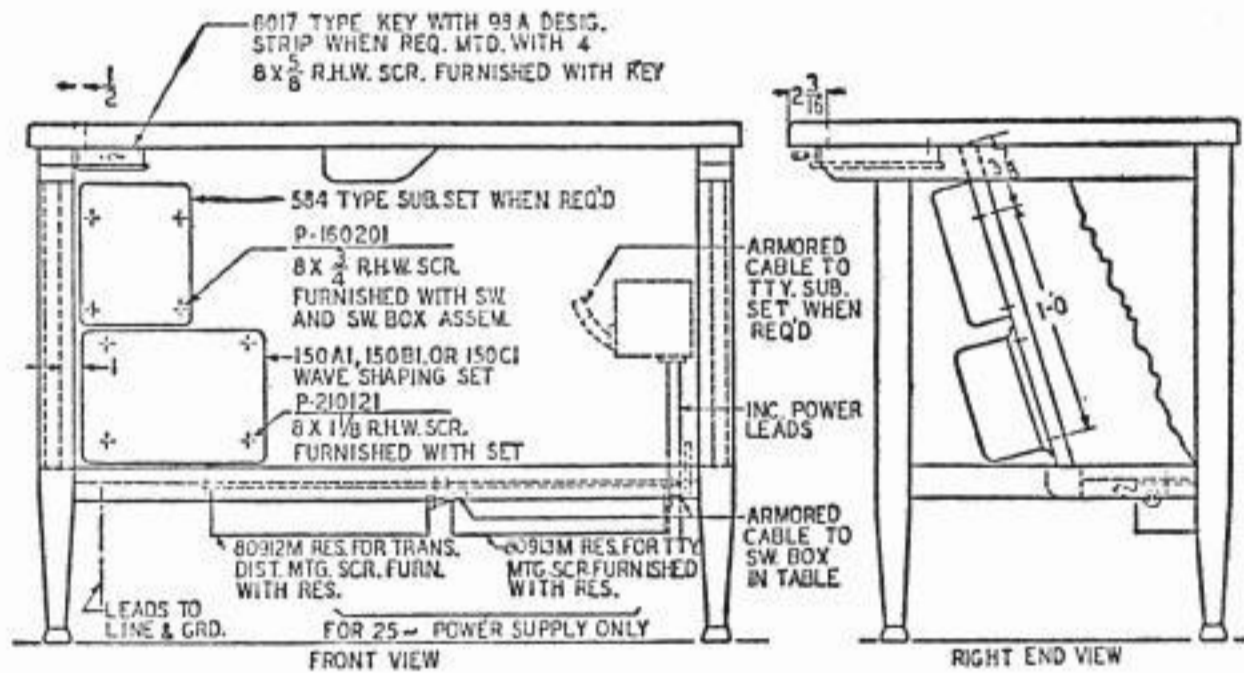
**SA6.14 — 120B1 Set — 19A Table**



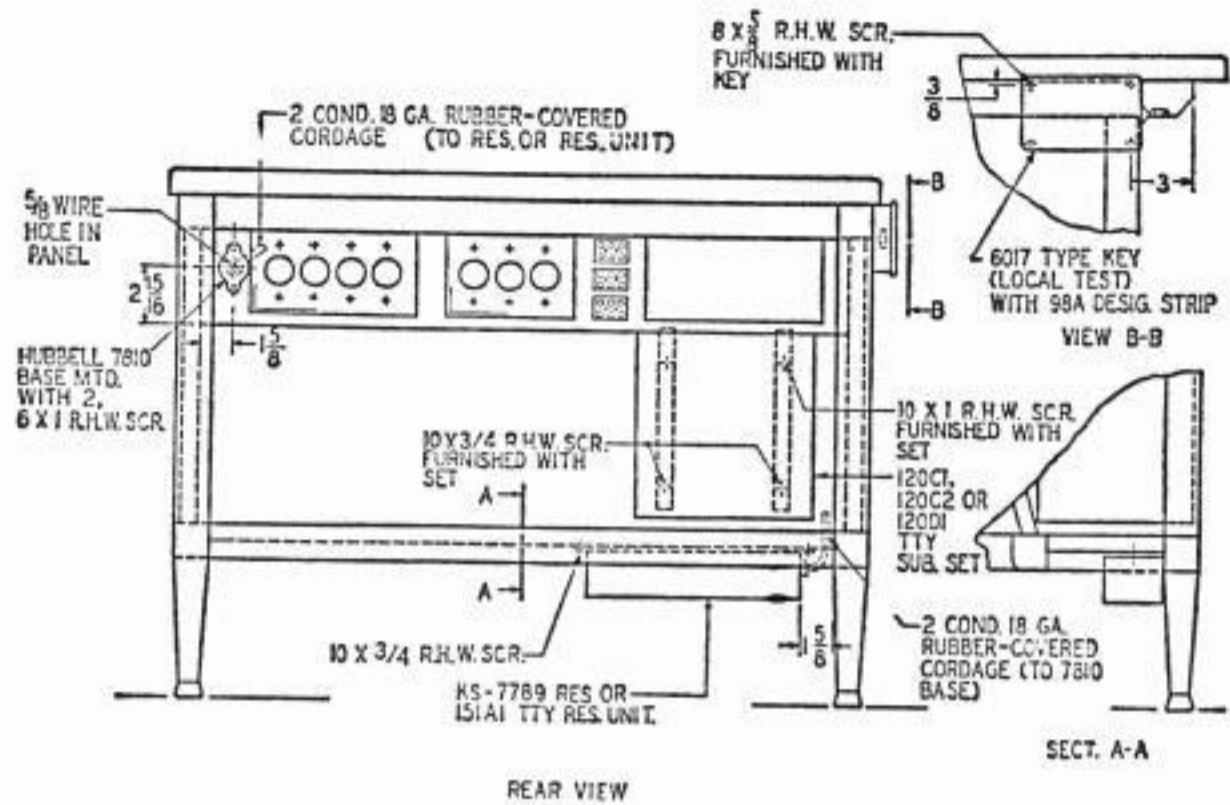
**SA6.15 — 150A1, 150B1 or 150C1 Wave Shaping Set — 19A Table**



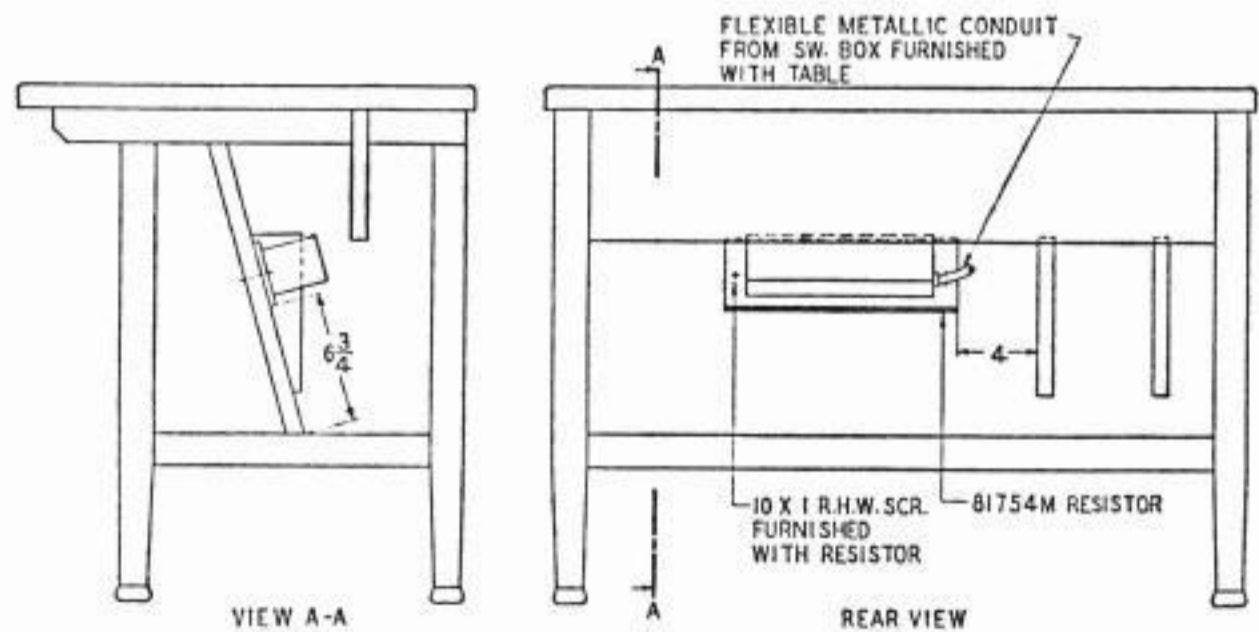
**SA6.16 — Local Test Potentiometer Panel for Type "A" Polarential Station — 19A Table**



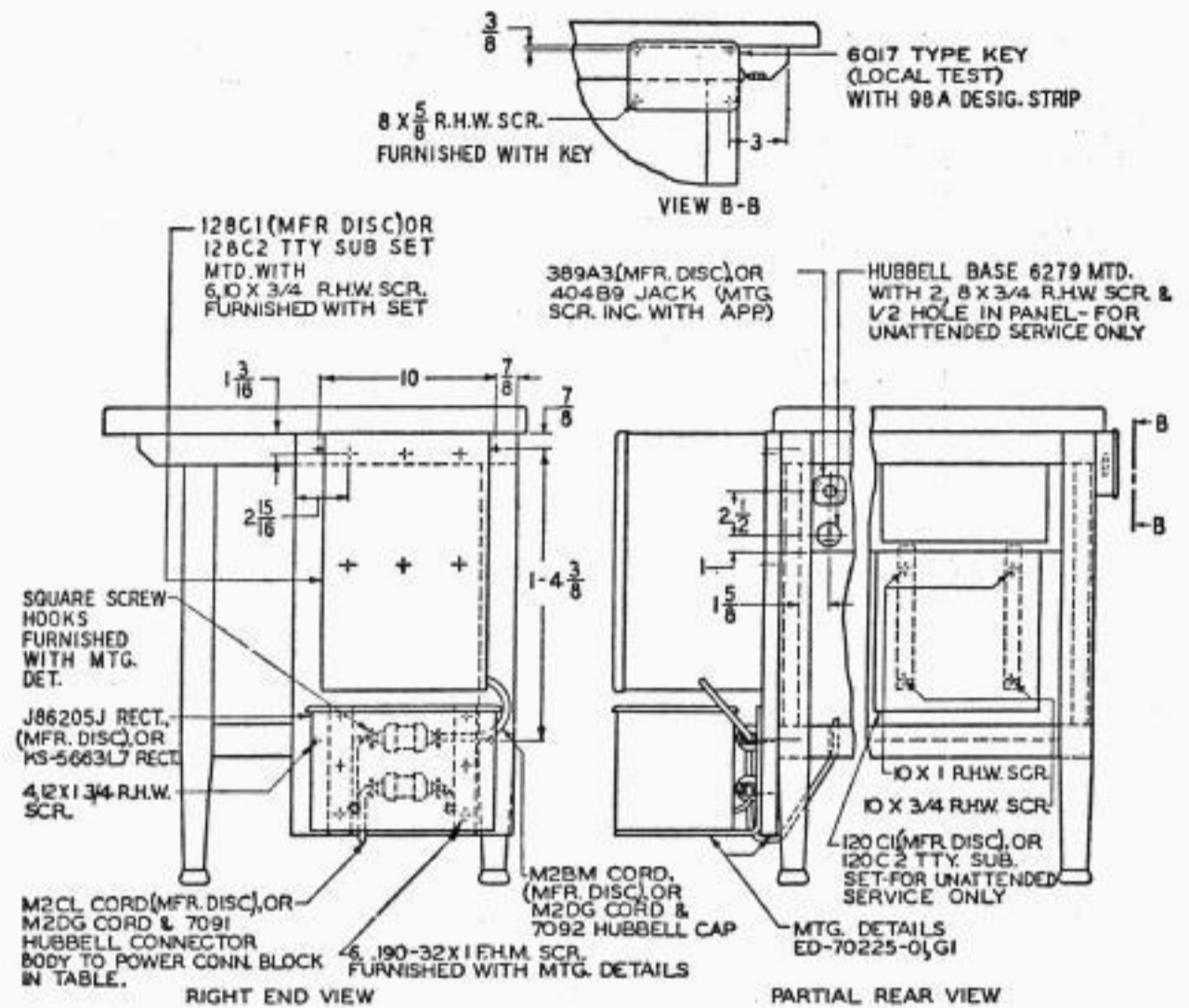
**SA6.17 — 584 Type Sub. Set & 150A1, 150B1 or 150C1 Wave Shaping Set — 19A Table**



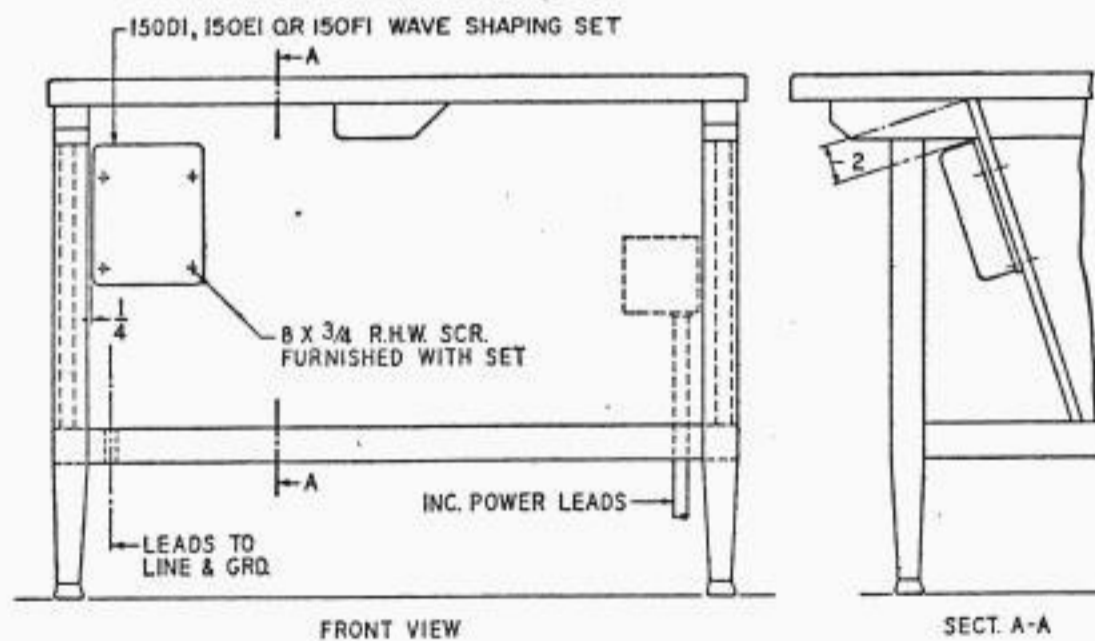
**SA6.18 — 120C1, 120C2 or 120D1 Set — 19A Table — Local Unattended Service**



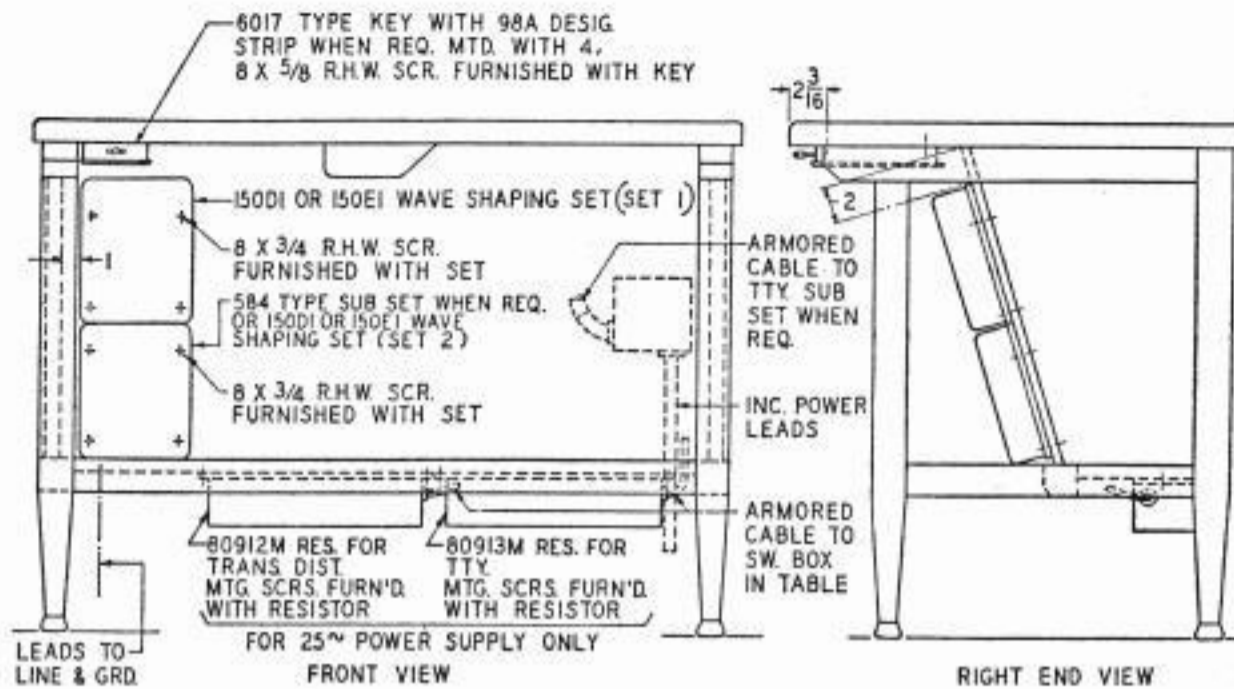
**SA6.19 — Location of Generator Field Resistor — 19A Table**



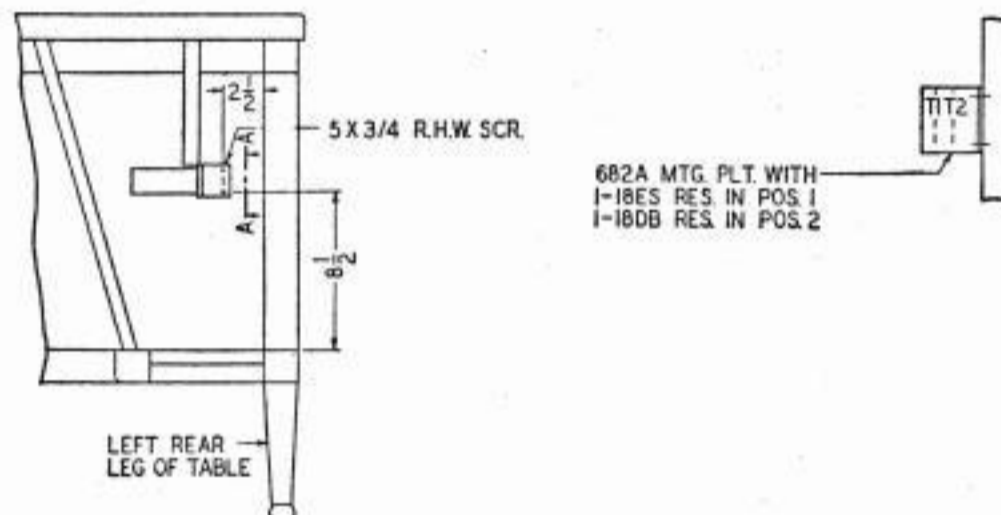
**SA6.20 — 128C1 or 128C2 Set — 19A Table**



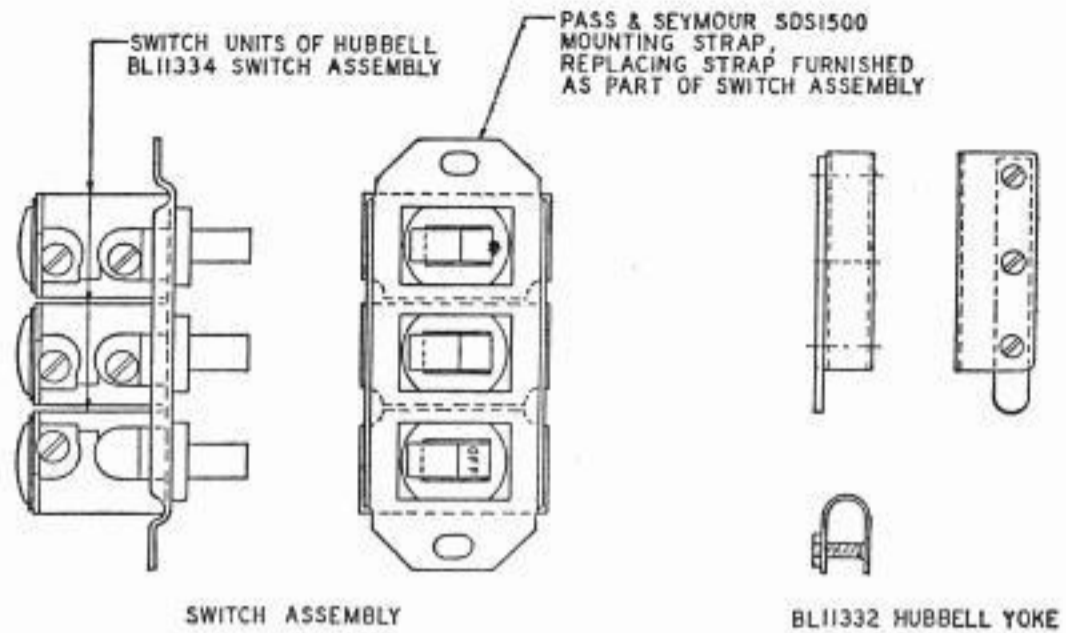
**SA6.21 — 150D1, 150E1 or 150F1 Wave Shaping Set — 19A Table**



**SA6.22 — 584 Type Sub Set & 150D1 or 150E1 Wave Shaping Set or Two Wave Shaping Sets — 19A Table**

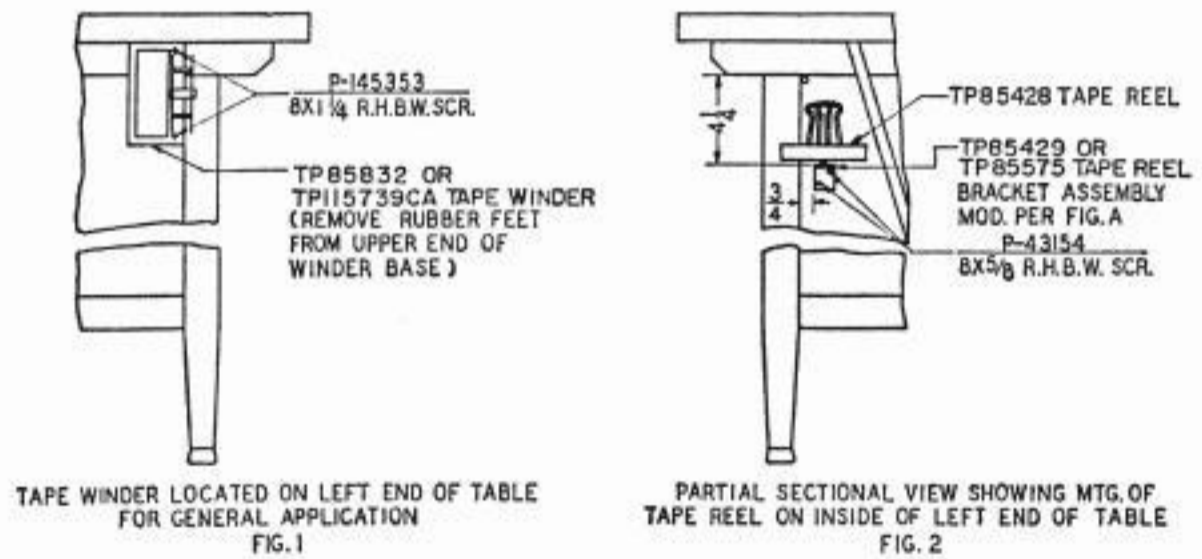


**SA6.23 — Local Test Potentiometer Resistances for Type "A" Polarential Station — 19A Table**



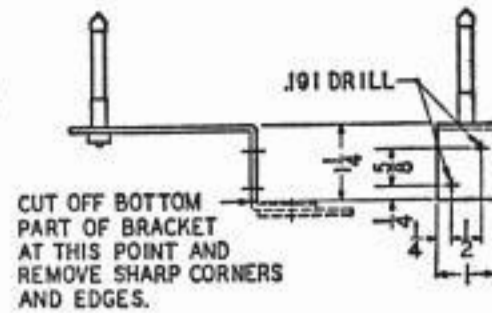
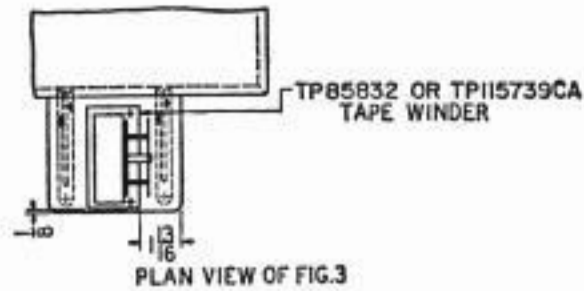
NOTE:  
 A BL11332 HUBBELL YOKE SHALL BE ASSEMBLED ON UPPER TWO SWITCH LEVERS AFTER SWITCH ASSEMBLY AND BOX COVER ARE IN PLACE. THE EXTENSION PIECE OF YOKE SHALL BE ON LEFT SIDE OF LEVERS TO PERMIT OPERATING BOTTOM UNIT TO "ON" POSITION INDEPENDENTLY OF OTHER UNITS OF SWITCH.

**SA6.24 — Assembly of Line — Power Switch of 126A2 Set Arranged for External Line — Test CKT. — 19A Table**

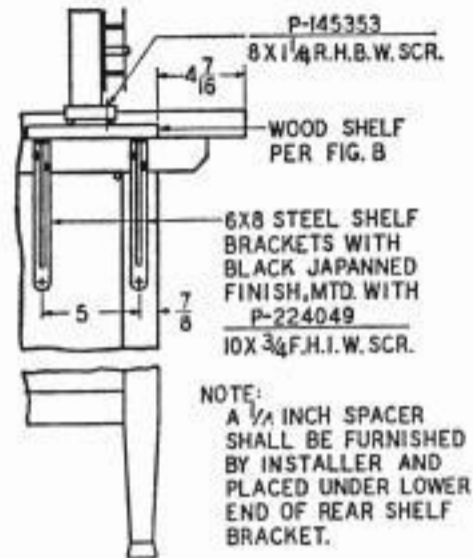


TAPE WINDER LOCATED ON LEFT END OF TABLE FOR GENERAL APPLICATION  
 FIG. 1

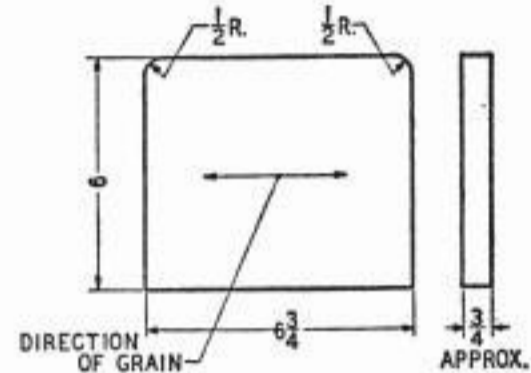
PARTIAL SECTIONAL VIEW SHOWING MTG. OF TAPE REEL ON INSIDE OF LEFT END OF TABLE  
 FIG. 2



MOD. OF TP85429 OR TP85575 TAPE REEL BRKT. ASSEM.  
MOUNT 85428M TAPE REEL ON 19A TABLE  
FIG. A

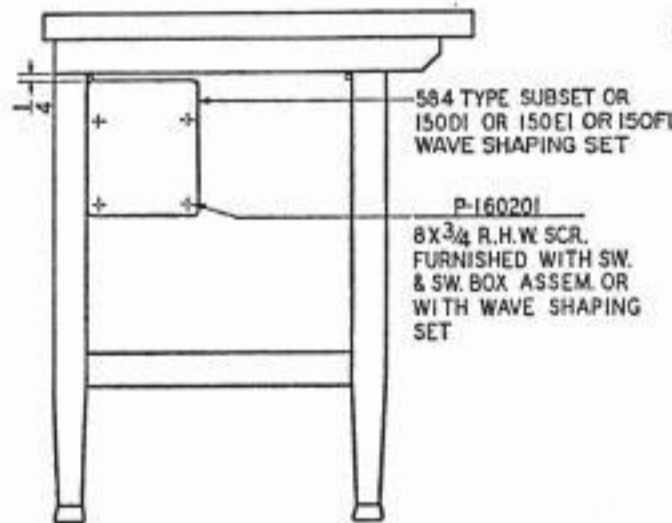


ALTERNATE LOCATION OF TAPE WINDER  
ON LEFT END OF TABLE  
FIG. 3

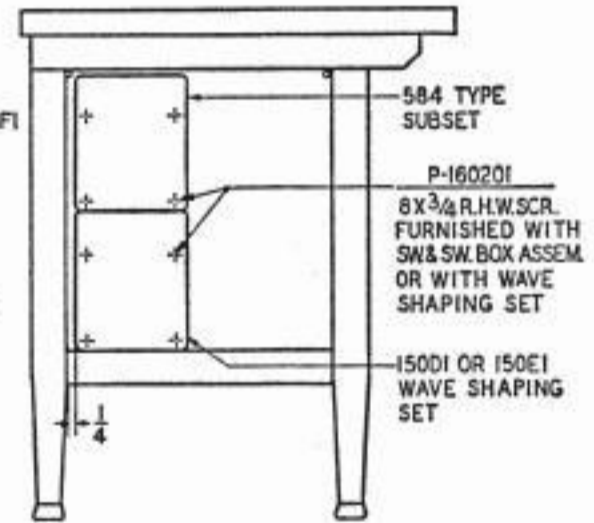


M.F. AVAILABLE WOOD AND FINISHED  
TO HARMONIZE WITH FINISH ON TABLE  
FIG. B

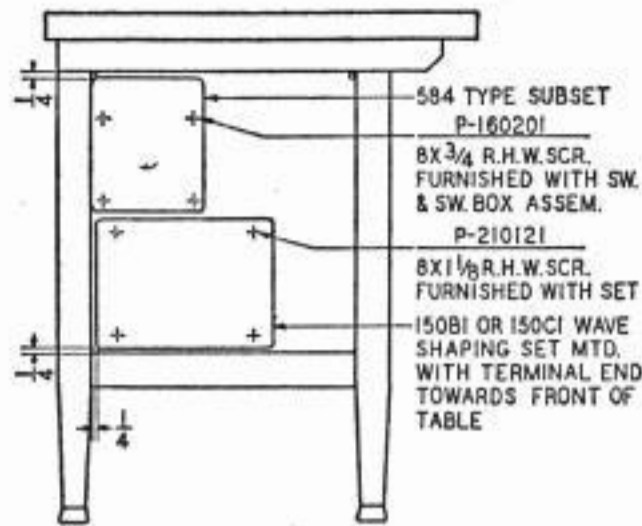
### SA6.25 — Location of Tape Winder and Tape Reel — 19A Table



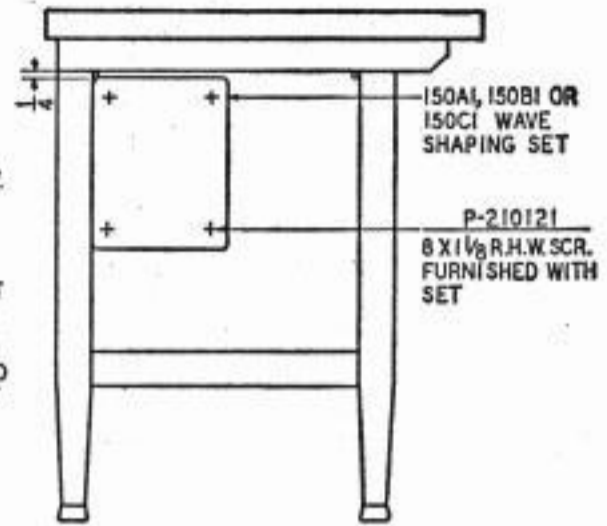
LEFT END VIEW SHOWING LOCATION  
OF 584 TYPE SUBSET OR 1500I OR 150E1 OR 150F1  
WAVE SHAPING SET  
FIG. 1



LEFT END VIEW SHOWING LOCATION  
OF 584 TYPE SUBSET WITH 1500I OR 150E1 WAVE  
SHAPING SET  
FIG. 2

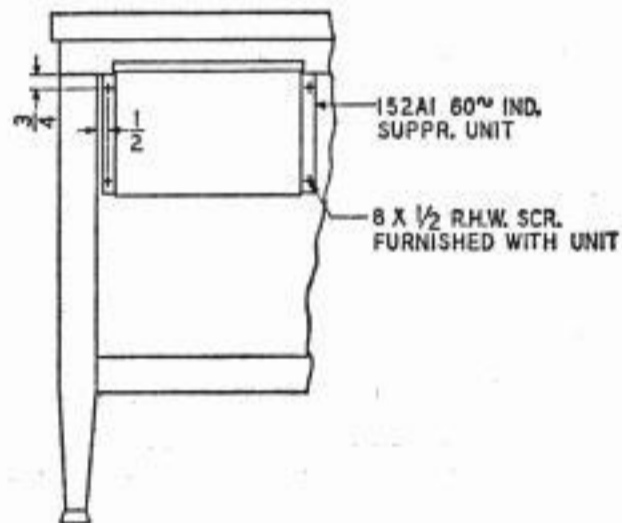


LEFT END VIEW SHOWING LOCATION OF 584 TYPE SUBSET WITH 150BI OR 150CI WAVE SHAPING SET  
FIG. 3



LEFT END VIEW SHOWING LOCATION OF 150AI, 150BI OR 150CI WAVE SHAPING SET  
FIG. 4

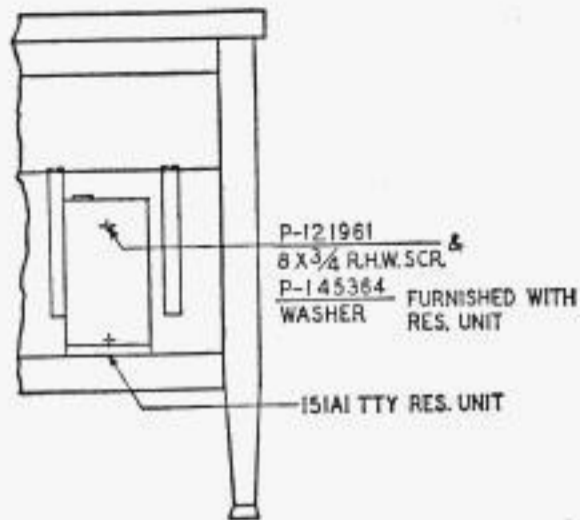
**SA6.26 — Location of 584 Type Subset & Wave Shaping Set When Tape Reel Is Used — 19A Table**



PARTIAL LEFT END VIEW SHOWING LOCATION OF 152A1 60~ IND. SUPPR. UNIT

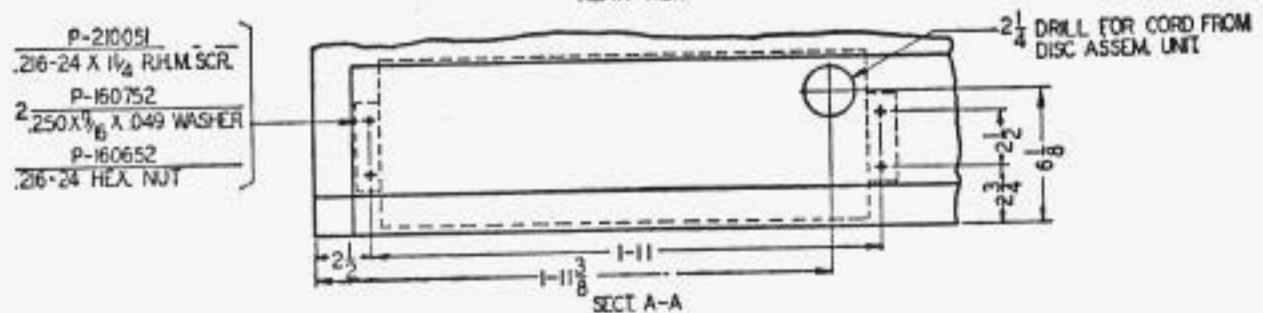
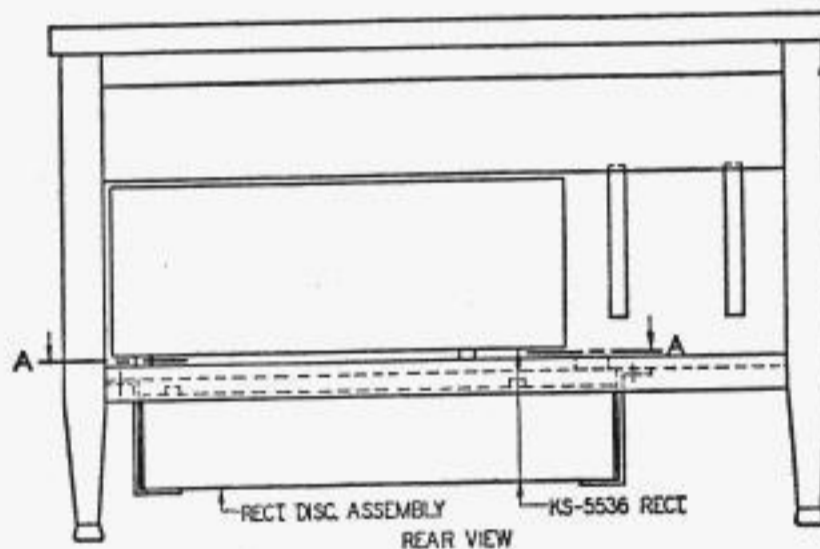
**SA6.27 — Location of 152A1 60~ Induction Suppression Unit — 19A Table**





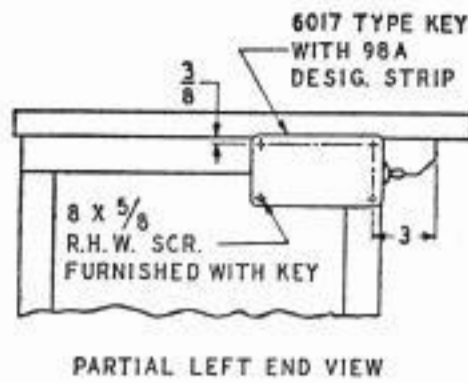
PARTIAL REAR VIEW SHOWING LOCATION  
OF 151A1 TTY RES. UNIT

**SA6.28 — Location of 151A1 TTY Res. Unit for  
External Line — Test — 19A Table**

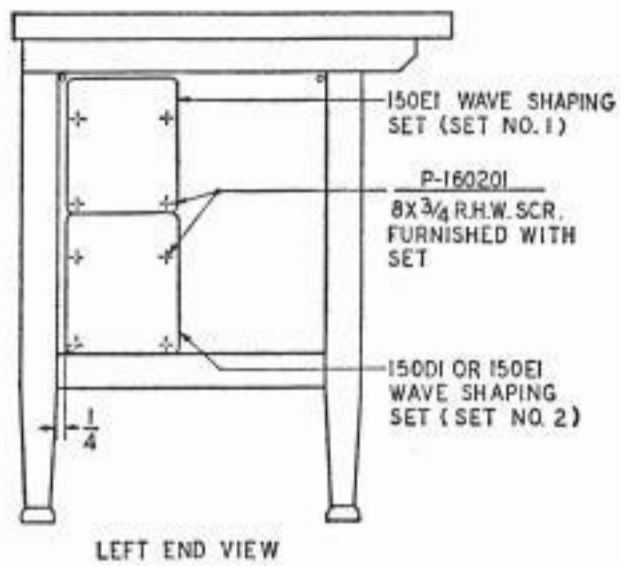


**SA6.29 — Location of KS-5536 Rectifier When Required  
for TWP Service — 19A Table**

**Note:** If the rectifier is mounted in a location other than on the table shelf, care should be taken to see that ventilation is provided at least equivalent to that provided when mounted in the table so that there will be no overheating.



**SA6.30 — Location of 6017 Type Key — 19A Table**



**SA6.31 — Location of 150D1 and 150E1, or Two 150E1 Wave Shaping Sets — 19A Table (When Location Shown in SA6.22 Is not Available)**

5 E

E L