

American Telephone and Telegraph Company

BELL SYSTEM PRACTICES
Teletypewriter and Manual
Telegraph Station and P:B.X.
Installation and Maintenance

ADDENDUM P30.653
Issue A, 2-24-50
Long Lines Department
Dist. Class. 600 A.C.

14B AND 15A TTY TABLE

STATION ASSEMBLY

1. GENERAL

1.01 This addendum supplements Section P30.653, Issue 2, to provide information on the use of Fusetrons.

1.02 It is issued to change the reference from "Fustat" to "Fusetron" in Plans SA 1.08 and SA 1.09 and also to change "BL-ON Type Fustat Mounting" to "SOU Fusetron Receptacle - Bussman" in the figure for Plan SA 1.09. (The other material to remain as shown).

BELL SYSTEM PRACTICES
Teletypewriter and Manual
Telegraph Station and P.B.X.
Installation and Maintenance

SECTION P30.653
Issue 2, May, 1940
AT&T Co. Standard

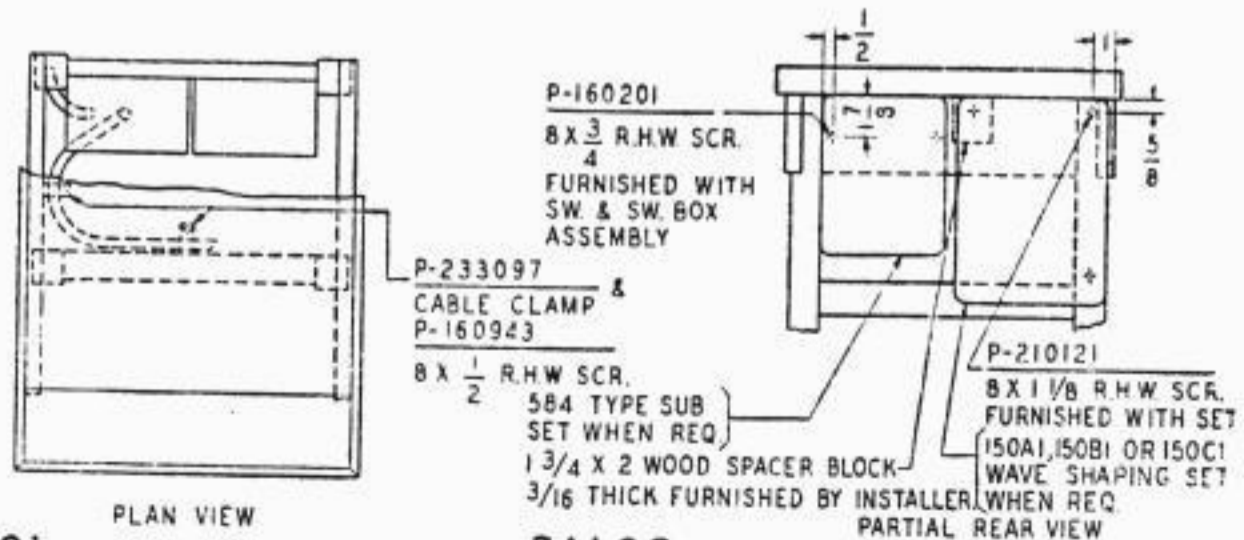
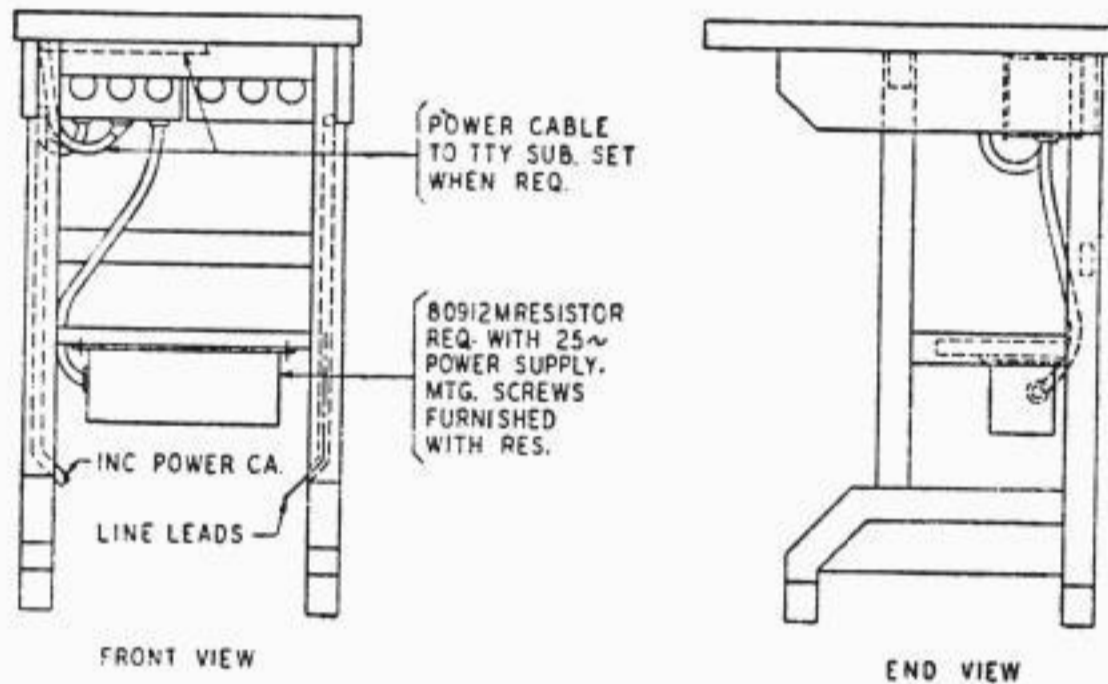
1. GENERAL

1.01 This section is reissued to add SA1.08, SA1.09 and SA3.20 and to make other minor additions and corrections.

Plan No.	Title
SA1.01	14B Table—General Arrangement when Fustat is not Required.
SA1.02	Location for 584 Type Sub Set and 150A1, 150B1 or 150C1 Wave Shaping Set when M-G Set is Used—14B Table
SA1.03	126A1, 126A2 or 126B1 Set—14B Table
SA1.04	130A1 Set—14B Table
SA1.05	120A1 Set—14B Table
SA1.06	128A1 Set—14B Table
SA1.07	125A2 Set and Selector Key when Required—14B Table
SA1.08	14B Table—General Arrangement when Fustat is Required
SA1.09	Fustat Mounting when Required—14B Table
SA3.01	15A Table—General Arrangement
SA3.02	Location for 584 Type Sub Set and 150A1, 150B1 or 150C1 Wave Shaping Set when M-G Set is Used—15A Table
SA3.03	122A2 or 123A2 Set—14B or 15A Table
SA3.04	Lamp Control and Recall Keys—122A2 Set—14B or 15A Table
SA3.05	Station Line Resistances—122A2 or 123A2 Set—14B or 15A Table
SA3.06	6017 Type Key—14B or 15A Table
SA3.07	Signal Bell—123A2 Set—14B or 15A Table
SA3.08	120A1 Set—15A Table
SA3.09	Selector Key (Recall-Disconnect)—123A2 Set—14B or 15A Table
SA3.10	125A2 Set and Selector Key when Required—15A Table
SA3.11	126A1, 126A2 or 126B1 Set—15A Table

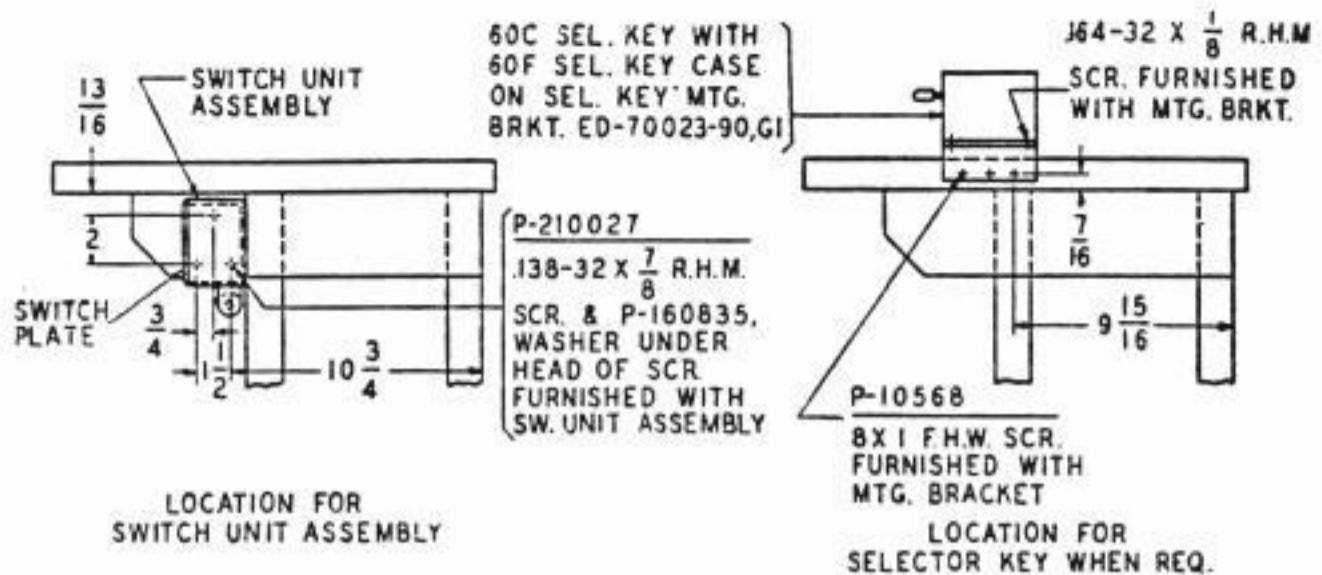
Plan No.	Title
SA3.12	124A1 Set—14B or 15A Table
SA3.13	124B1 Set—14B or 15A Table
SA3.14	128A1 Set—15A Table
SA3.15	130A1 Set—15A Table
SA3.16	Selector Keys—123A2 Set—14B or 15A Table
SA3.17	Location for 150A1, 150B1 or 150C1 Wave Shaping Set when M-G Set is not Used—14B or 15A Table
SA3.18	Location for 584 Type Sub Set when M-G Set is not Used—14B or 15A Table
SA3.20	Local Test Potentiometer for Type "A" Polarential Station—14B or 15A Table

Note: The 150 type Wave Shaping Set may be located at the telegraph loop switchboard when desired.

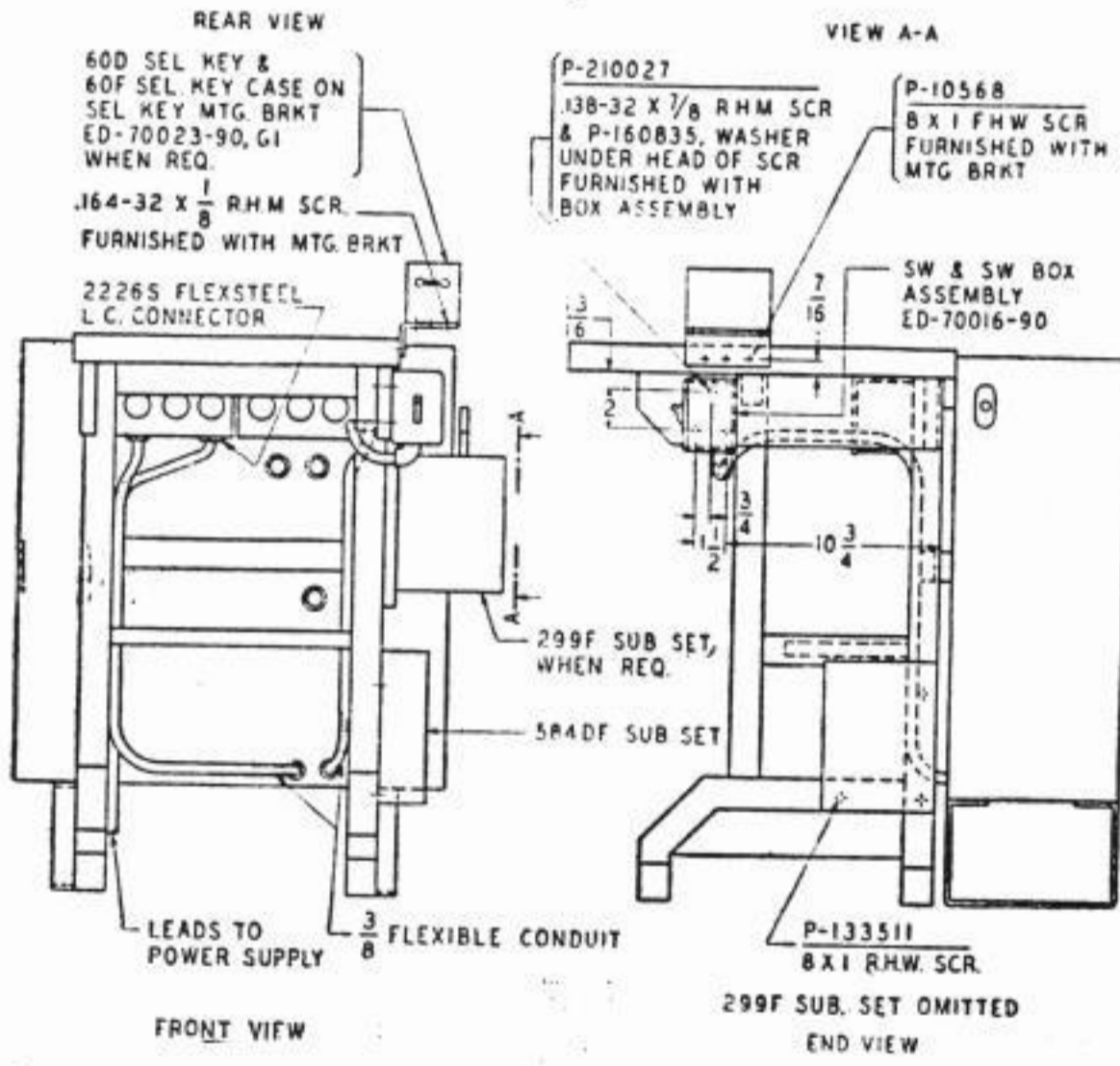
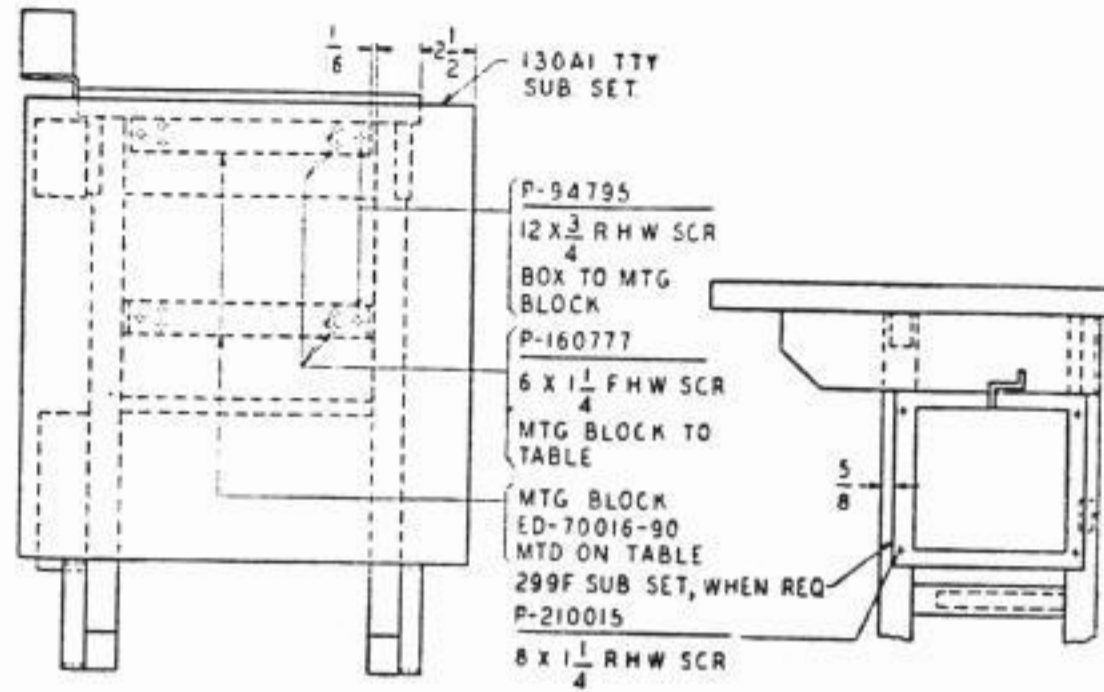


SAI.01 14B TABLE - GENERAL ARRANGEMENT WHEN FUSTAT IS NOT REQ.

SAI.02 LOCATION FOR 584 TYPE SUB SET & 150A1, 150B1 OR 150C1 WAVE SHAPING SET WHEN MOT. GEN. IS USED - 14B TABLE

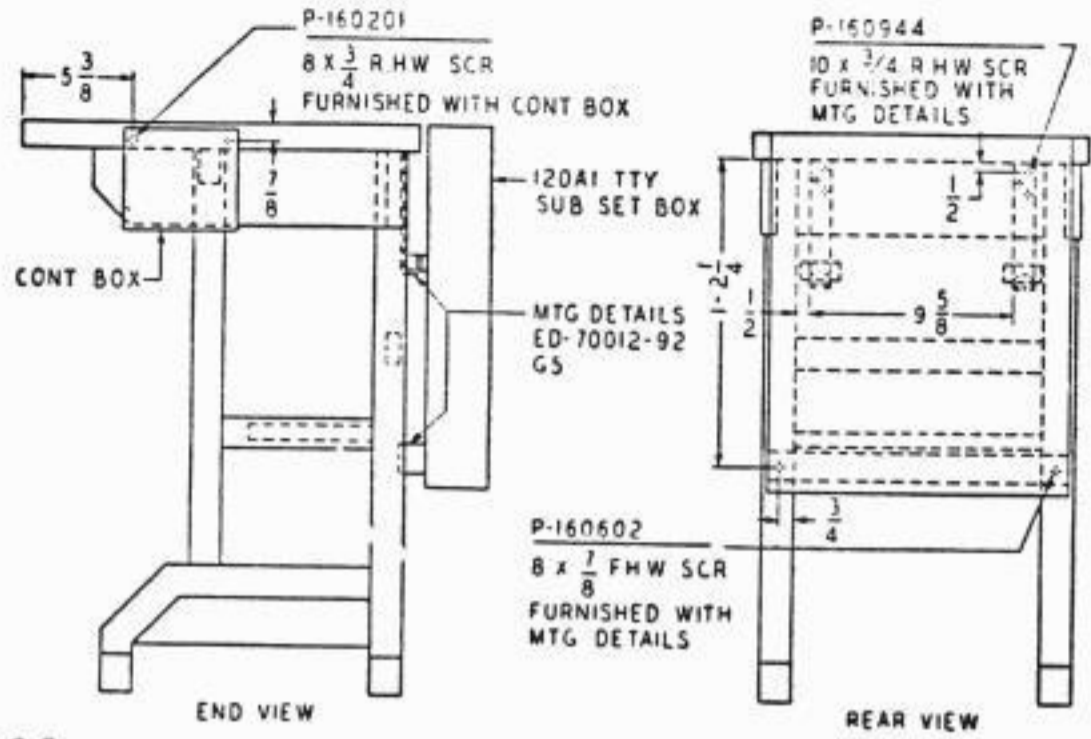


SA1.03 126A1, 126A2 OR 126 B1 SET — 14B TABLE

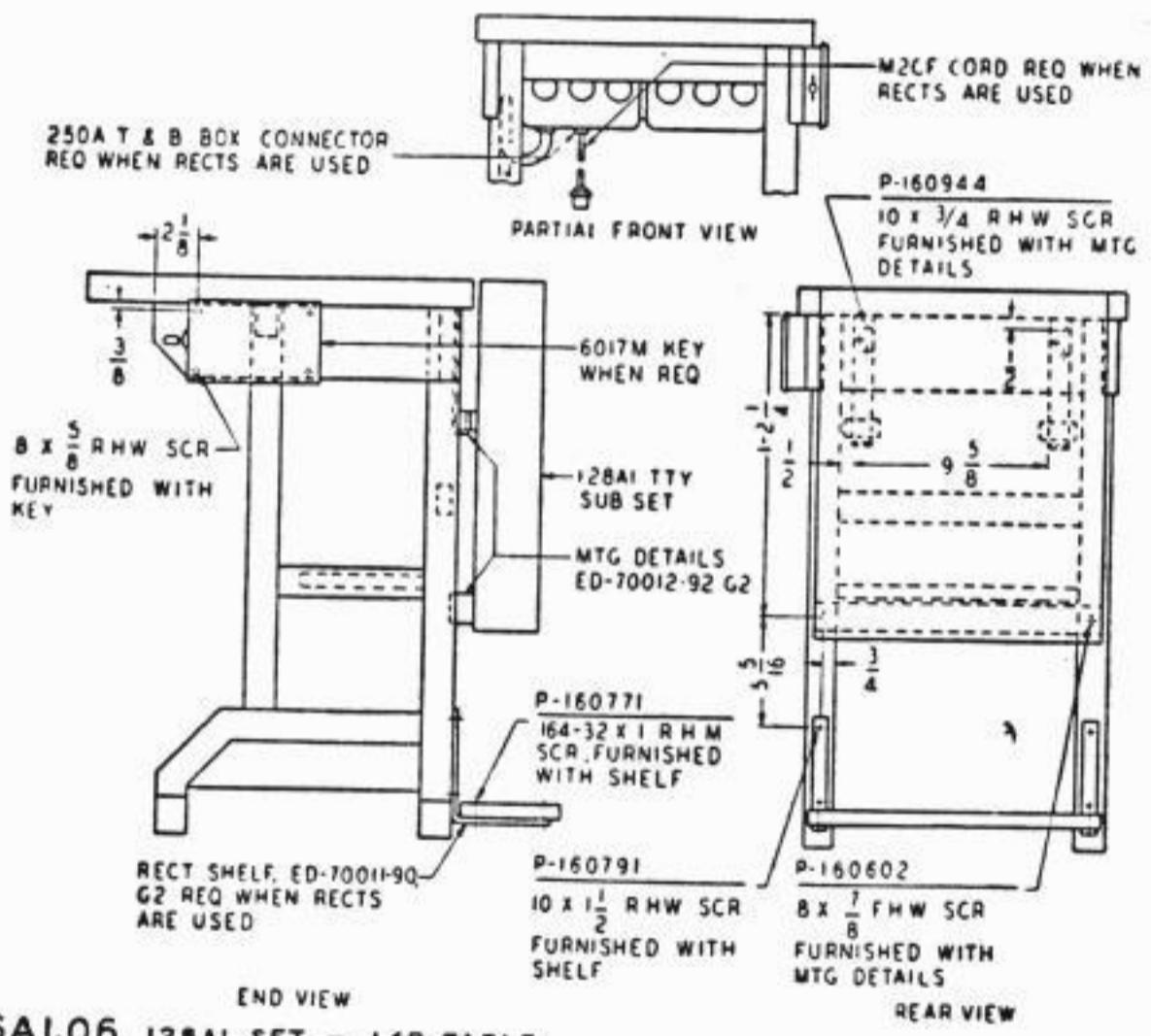


SAI.04 130AI SET - 14B TABLE

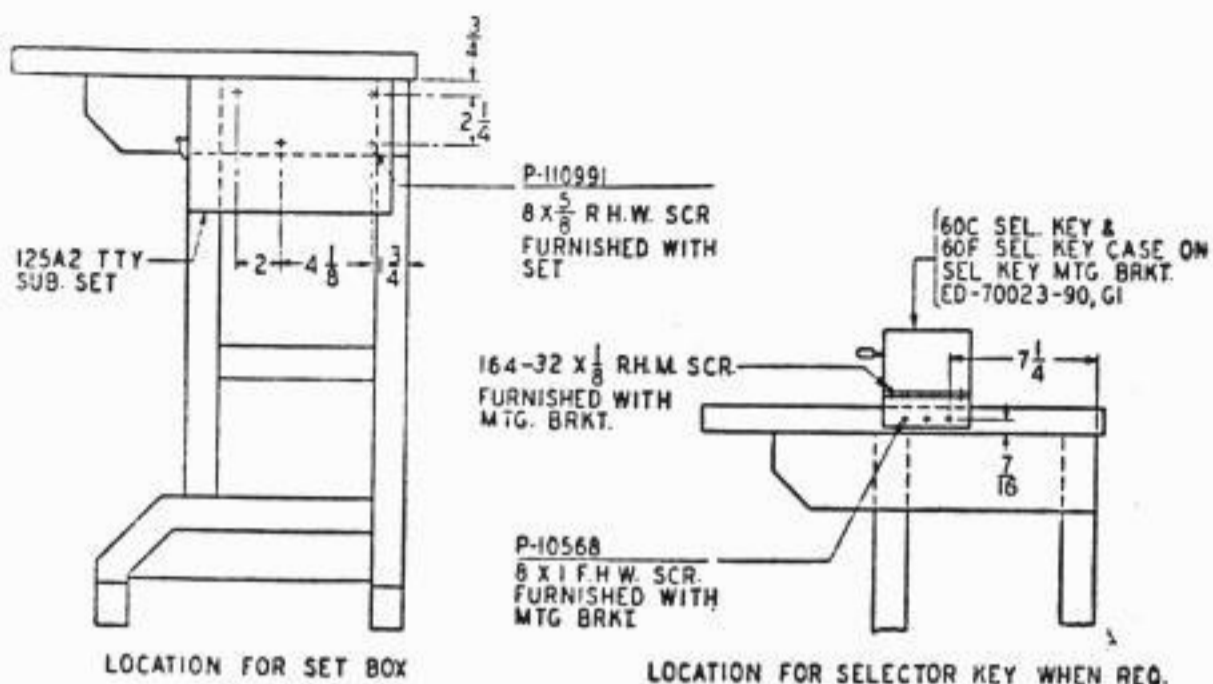
FE



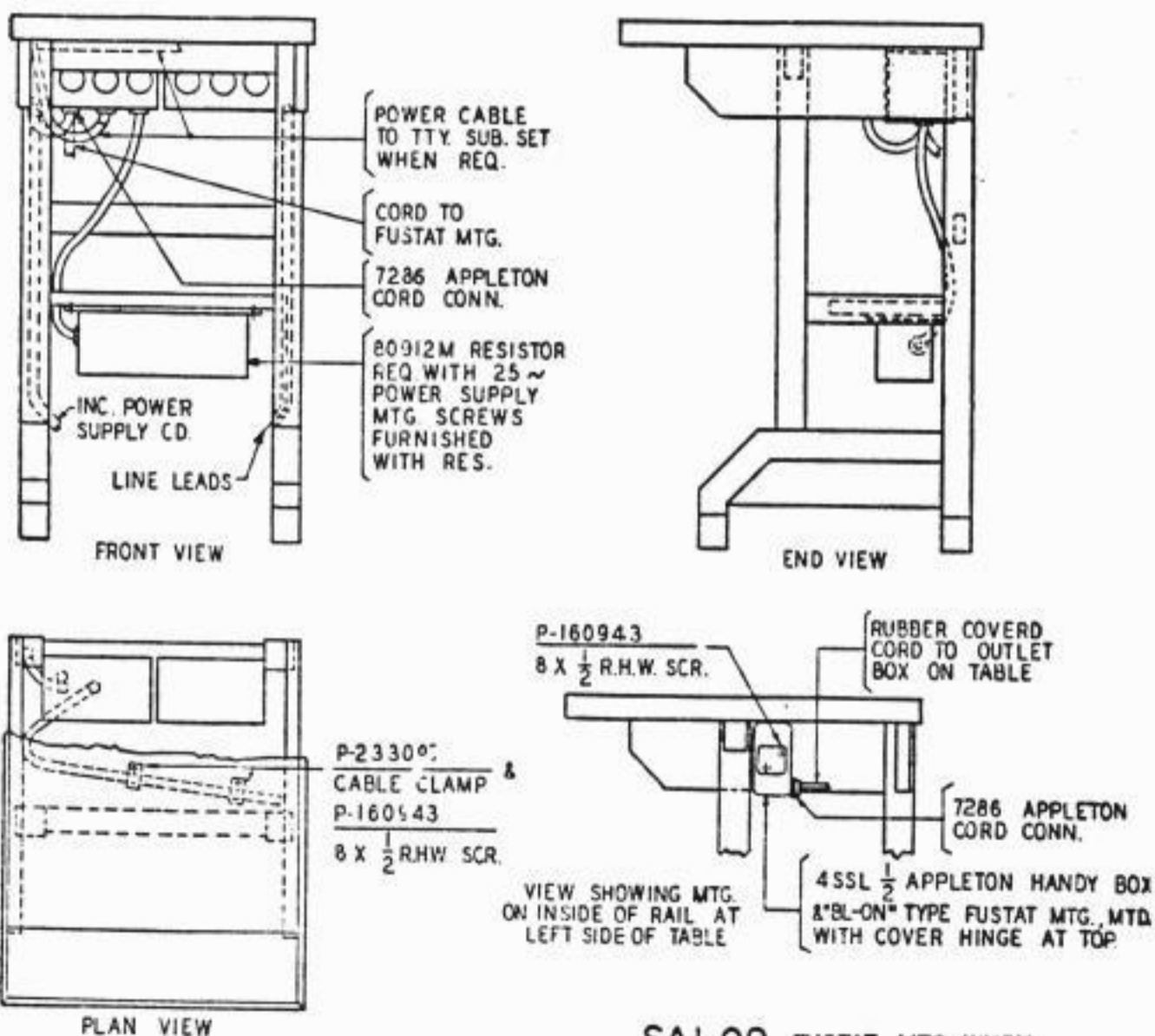
SAI.05 120A1 SET - 14B TABLE



SAI.06 128A1 SET - 14B TABLE

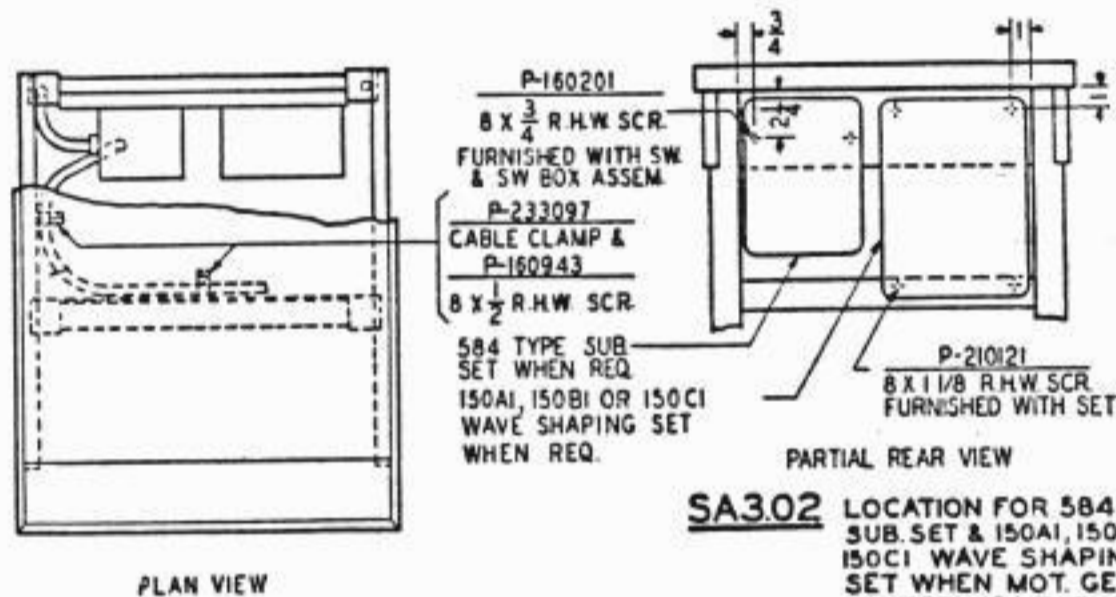
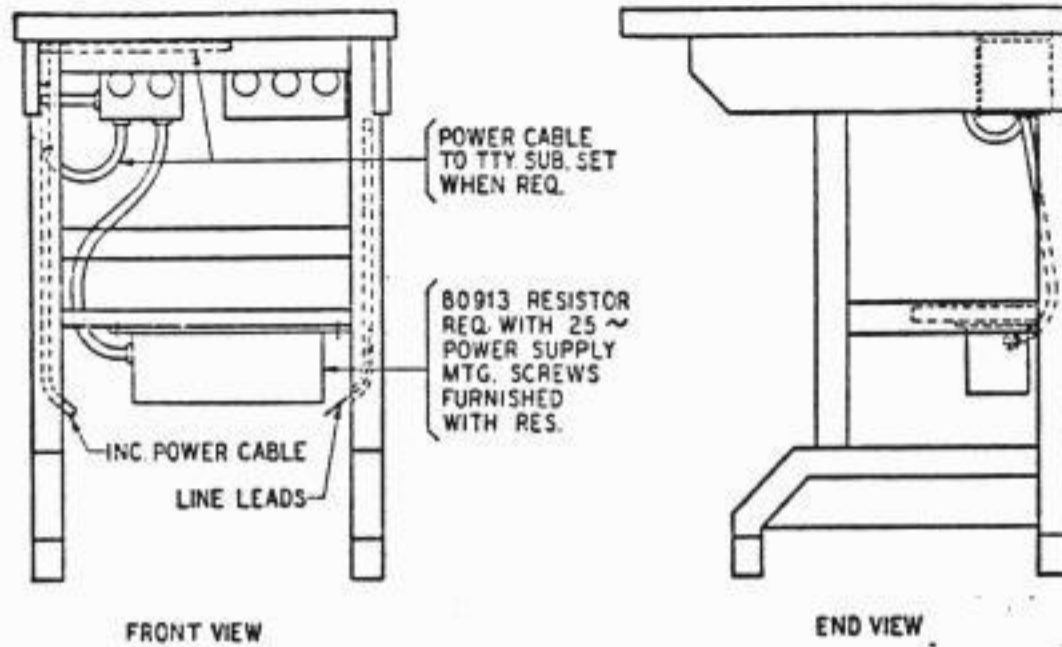


SAI.07 125A2 SET & SELECTOR KEY WHEN REQ. - 14B TABLE



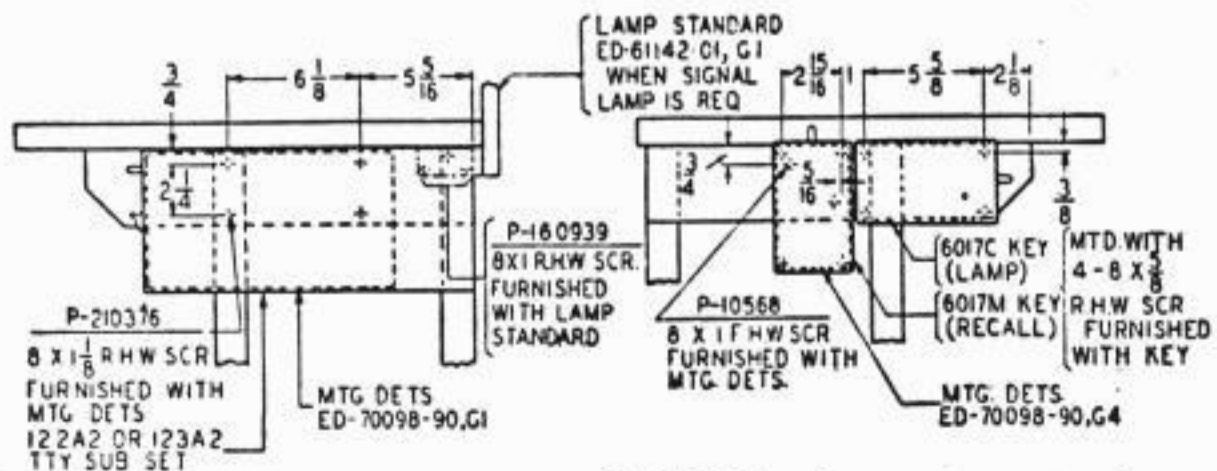
SAI.08 14B TABLE - GENERAL ARRANGEMENT WHEN FUSTAT IS REQ.

SAI.09 FUSTAT MTG. WHEN REQ. - 14B TABLE



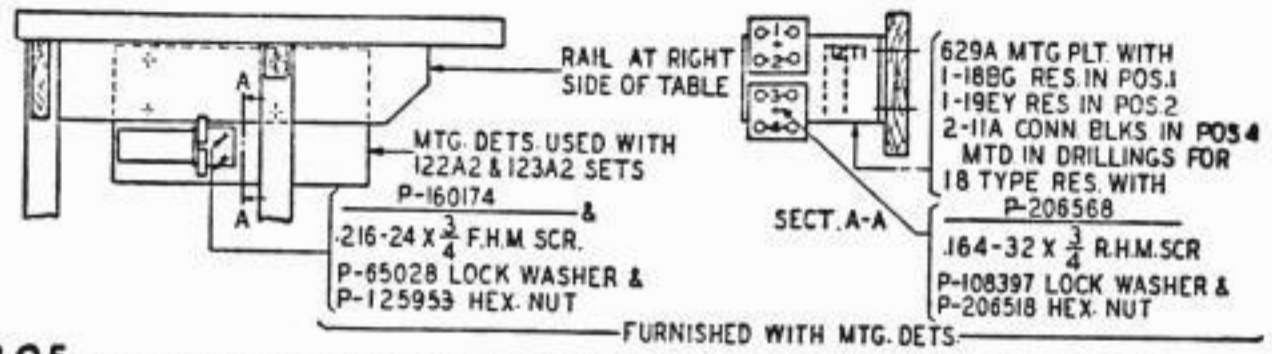
SA3.02 LOCATION FOR 584 TYPE SUB. SET & 150AI, 150BI OR 150CI WAVE SHAPING SET WHEN MOT. GEN. IS USED - 15A TABLE

SA3.01 15A TABLE - GENERAL ARRANGEMENT

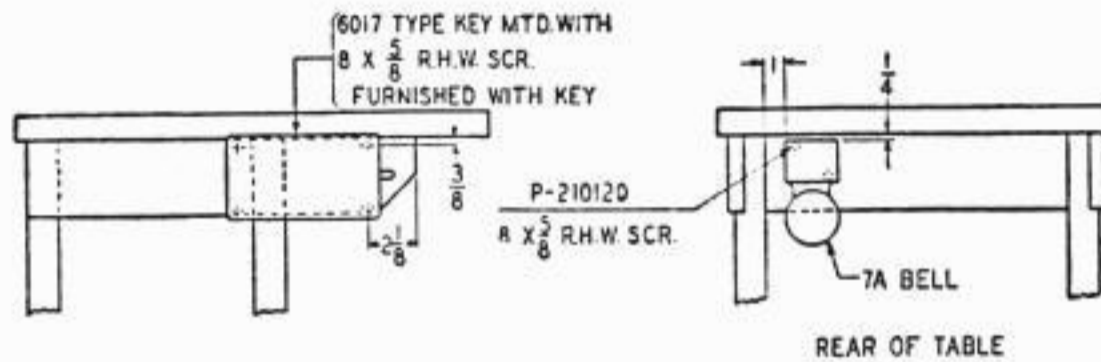


SA3.03 122A2 OR 123A2 SET - 14B OR 15A TABLE

SA3.04 LAMP CONTROL & RECALL KEYS - 122A2 SET - 14B OR 15A TABLE

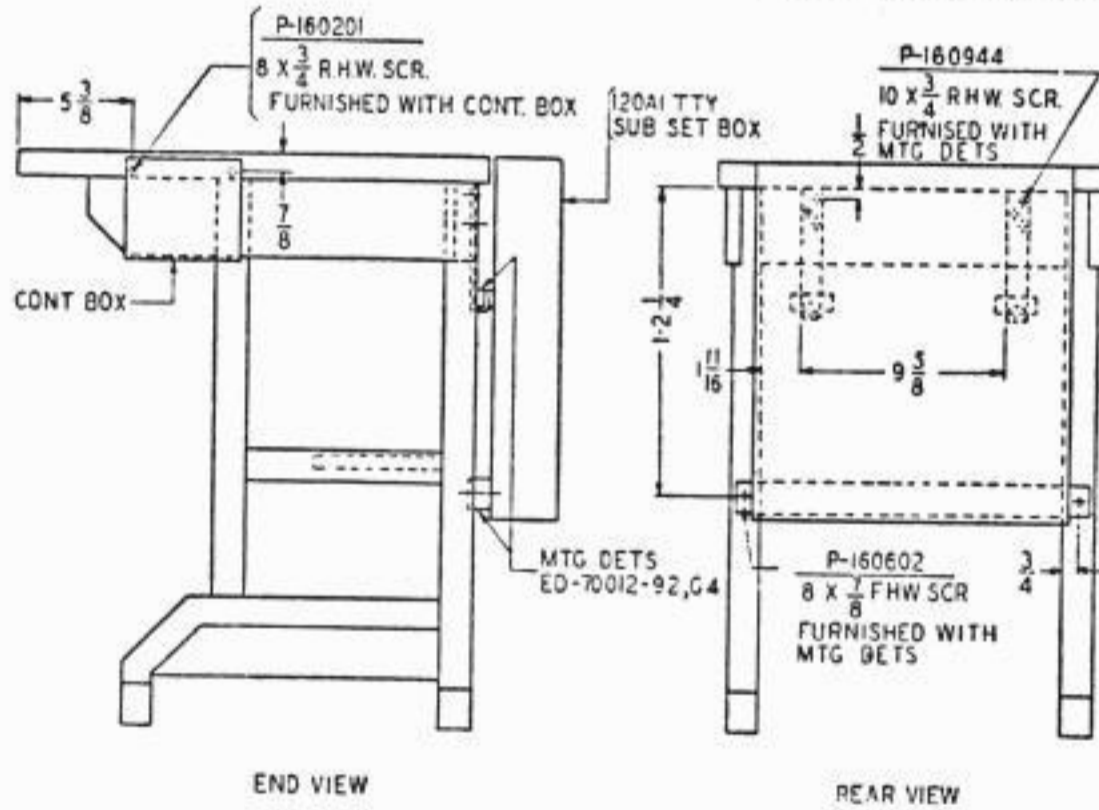


SA3.05 STATION LINE RESISTANCES -122A2 OR 123A2 SET - 14B OR 15A TABLE

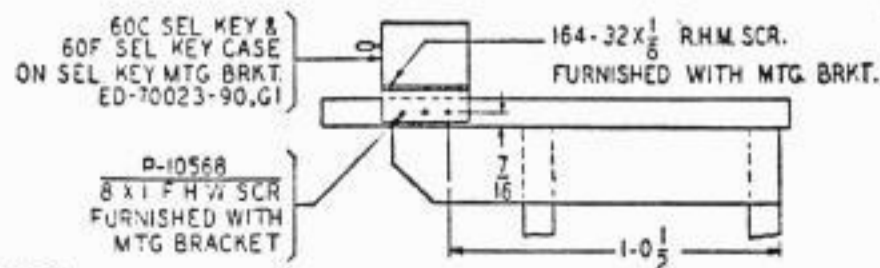


SA3.06 6017 TYPE KEY -14B OR 15A TABLE

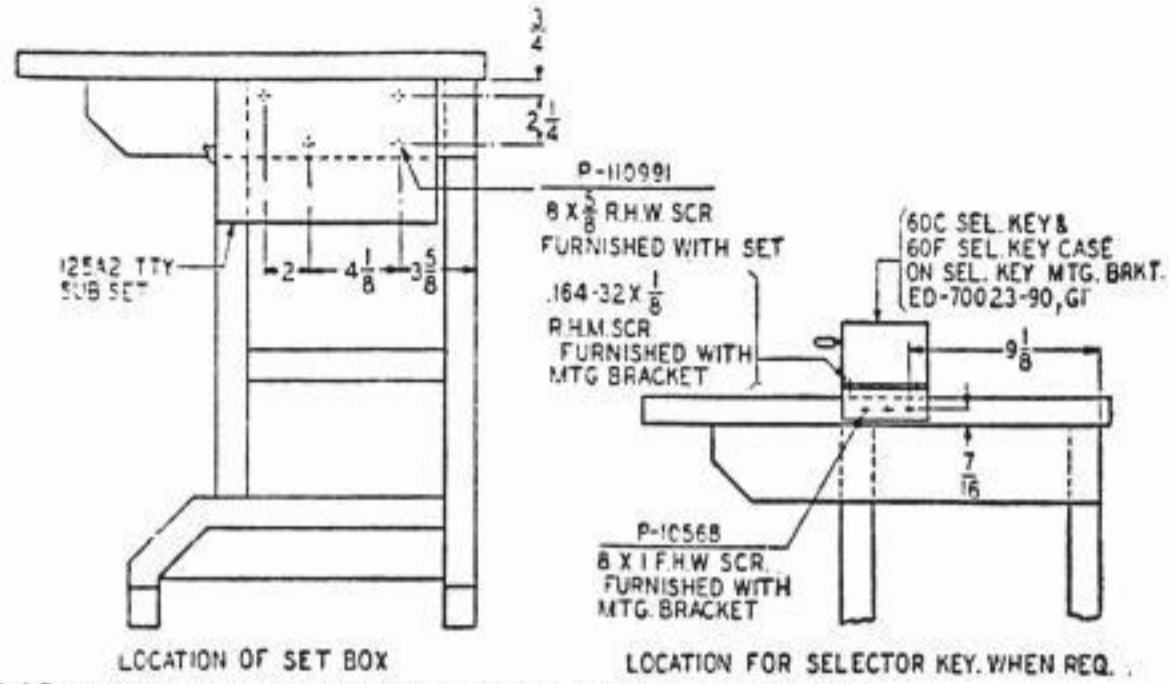
SA3.07 SIGNAL BELL -123A2 SET -14B OR 15A TABLE



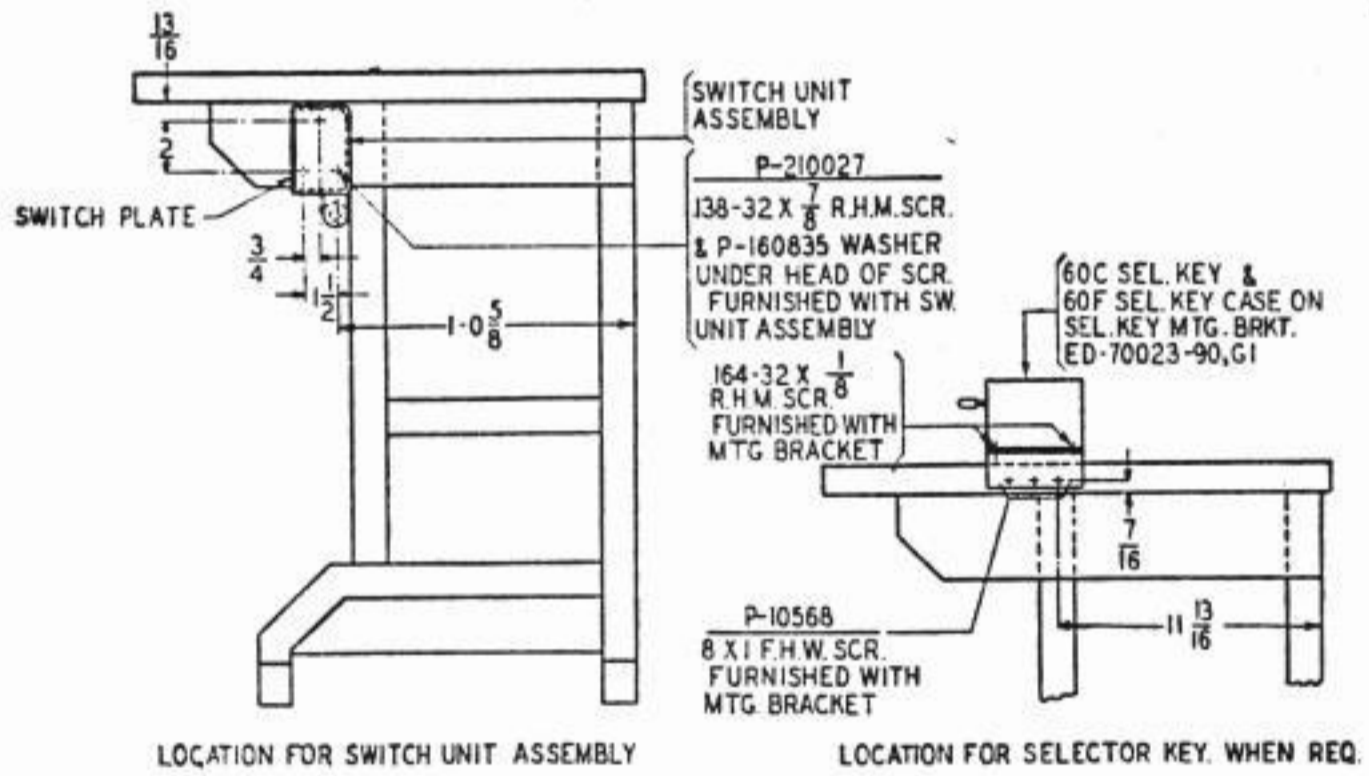
SA3.08 120AI SET - 15A TABLE



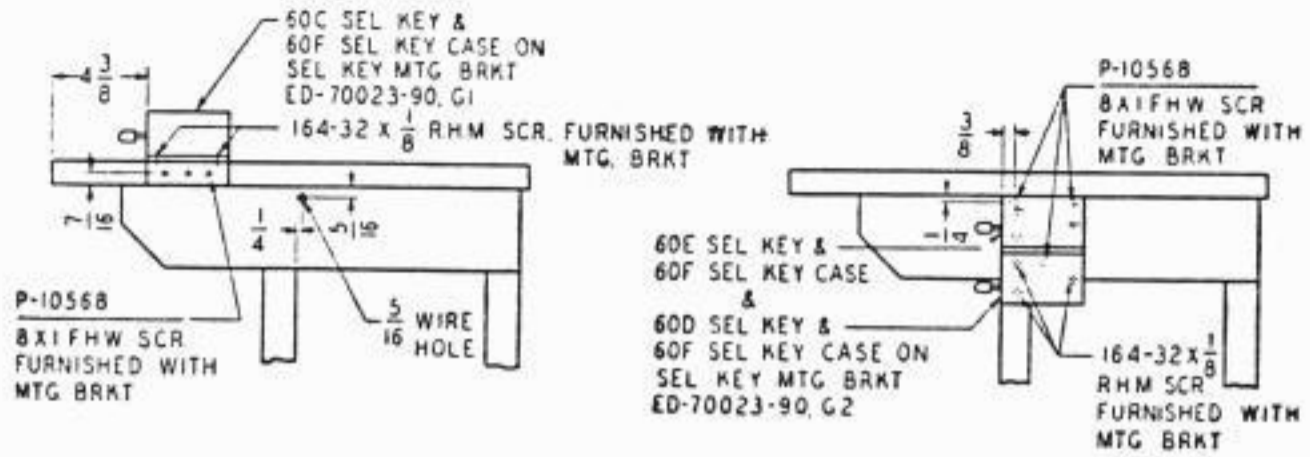
SA3.09 SELECTOR KEY (RECALL-DISCONNECT) -123A2 SET - 14B OR 15A TABLE



SA3.10 125A2 SET & SELECTOR KEY WHEN REQ. - 15A TABLE

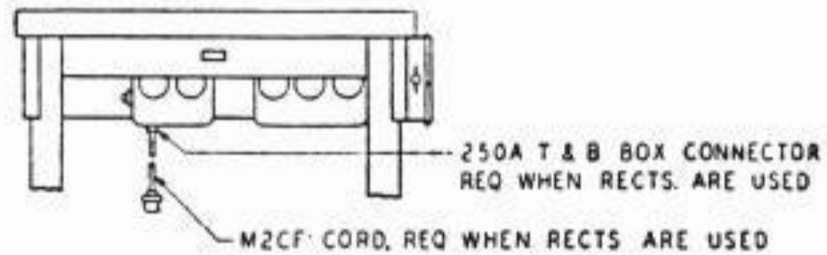


SA3.11 126A1, 126A2 OR 126B1 SET - 15A TABLE

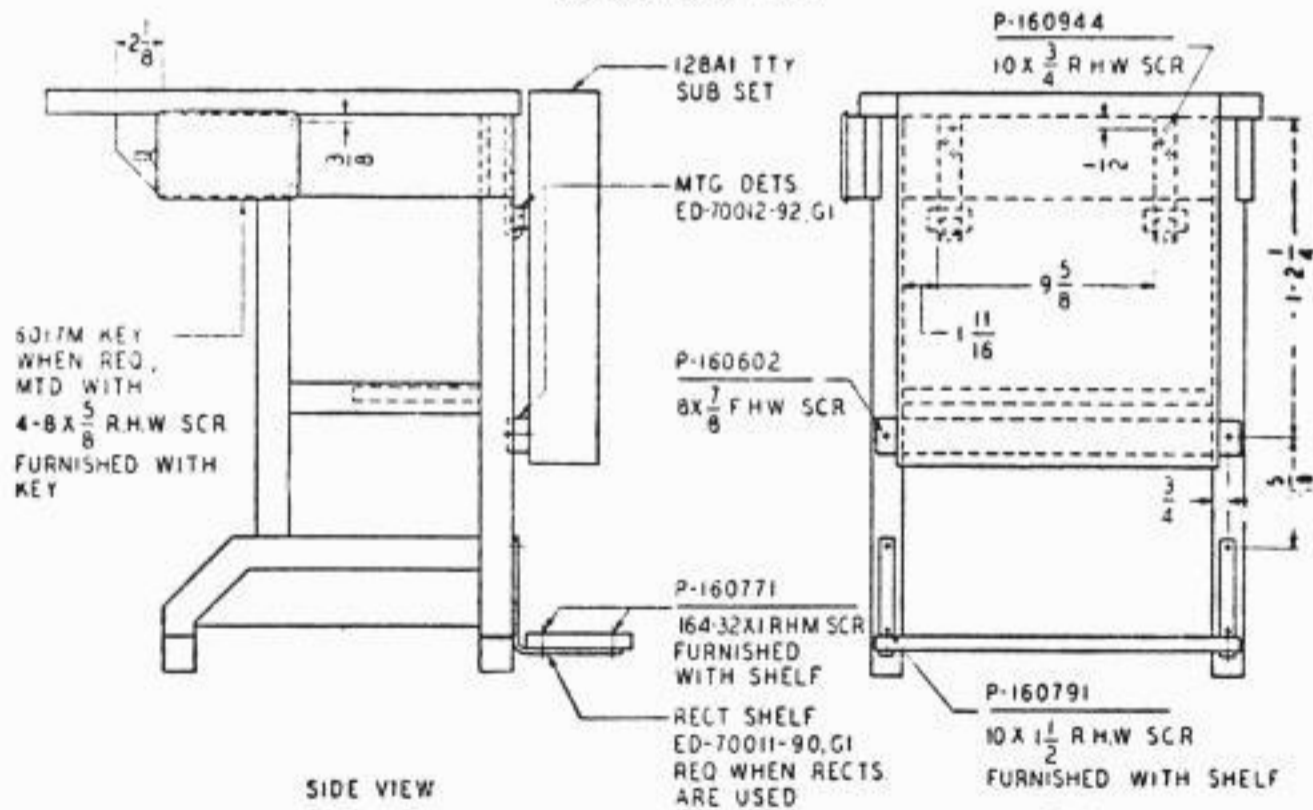


SA3.12 124A1 SET - 14B OR 15A TABLE

SA3.13 124B1 SET - 14B OR 15A TABLE



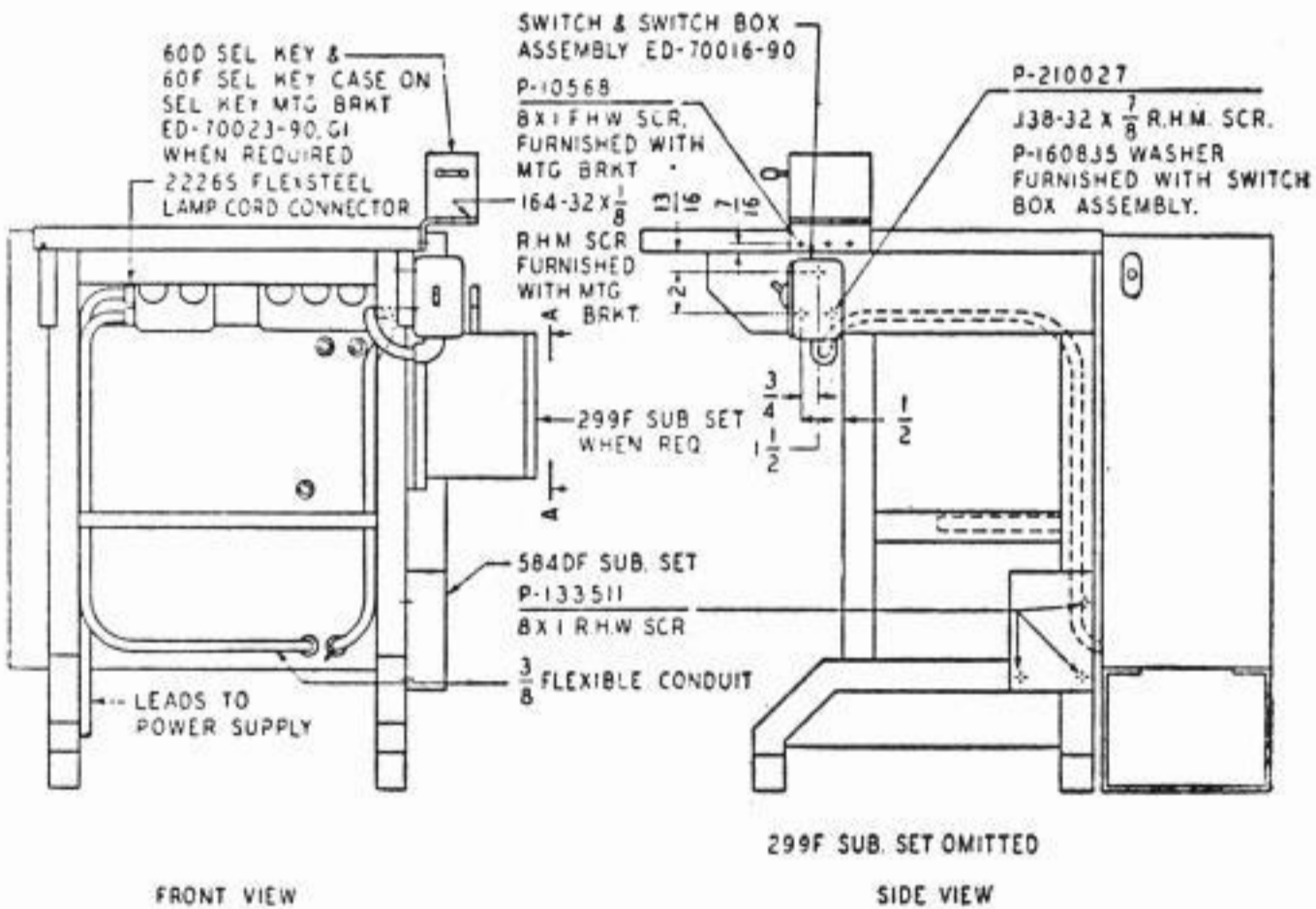
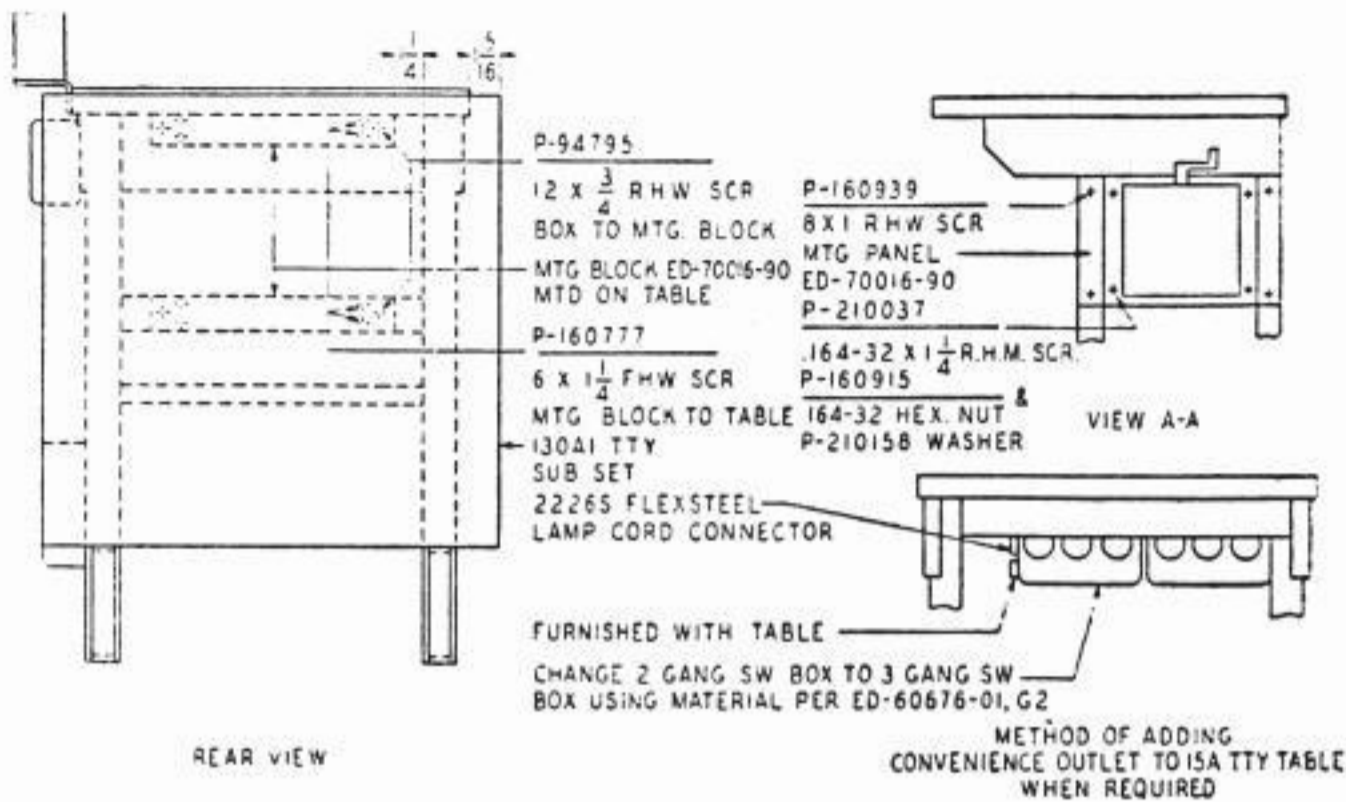
PARTIAL FRONT VIEW



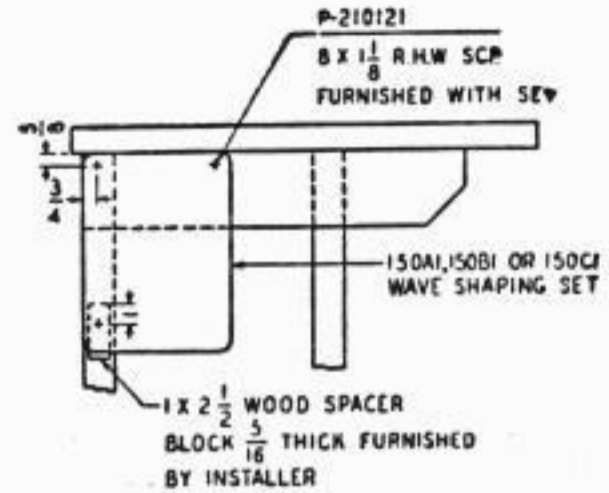
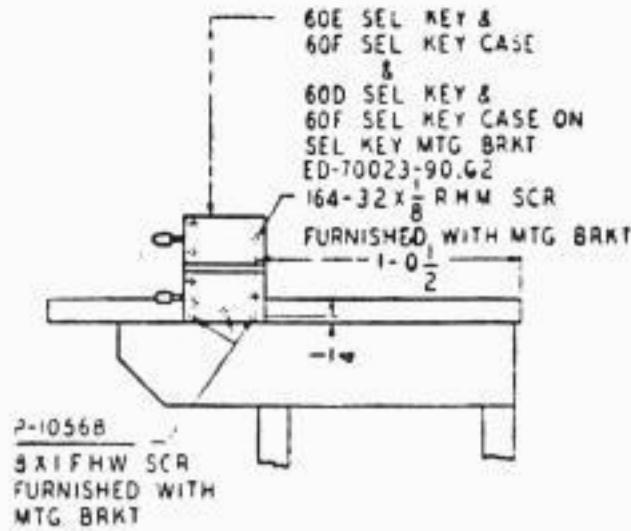
SIDE VIEW

REAR VIEW

SA3.14 128A1 SET - 15A TABLE

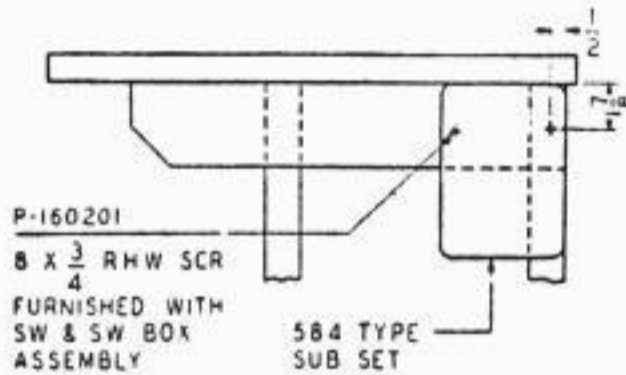


SA3.15 130AI SET - 15A TABLE

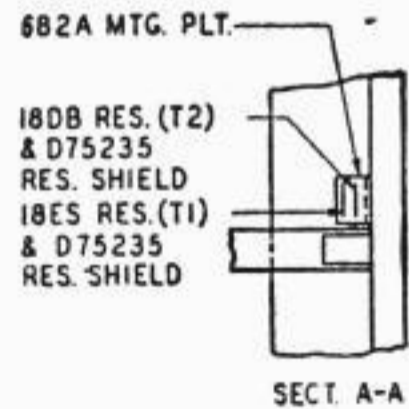
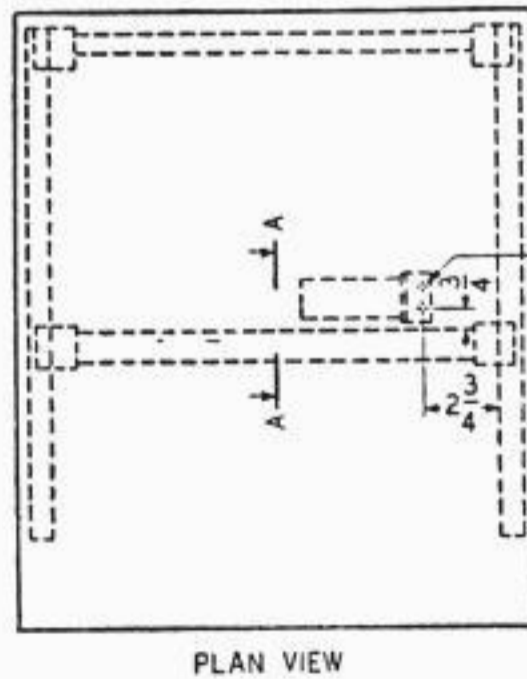


SA3.16 SELECTOR KEYS - 123A2 SET -
14B OR 15A TABLE

SA3.17 LOCATION FOR 150A1, 150B1 OR 150C1
WAVE SHAPING SET WHEN
MOT. GEN. IS NOT USED - 14B
OR 15A TABLE



SA3.18 LOCATION FOR 584 TYPE SUB. SET -
WHEN MOT. GEN. IS NOT USED
14B OR 15A TABLE



SA3.20 LOCAL TEST POTENTIOMETER FOR TYPE "A" POLARENTIAL
STATION - 14B OR 15A TABLE