

# American Telephone and Telegraph Company

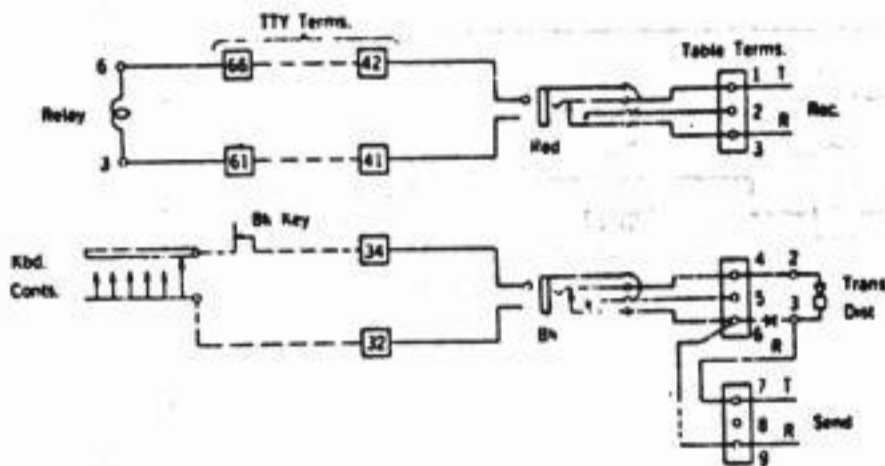
BELL SYSTEM PRACTICES  
Teletypewriter and Manual  
Telegraph Station and PEX  
Installation and Maintenance

ADDENDUM P30.502  
Issue B, 9-1-39  
Long Lines Department

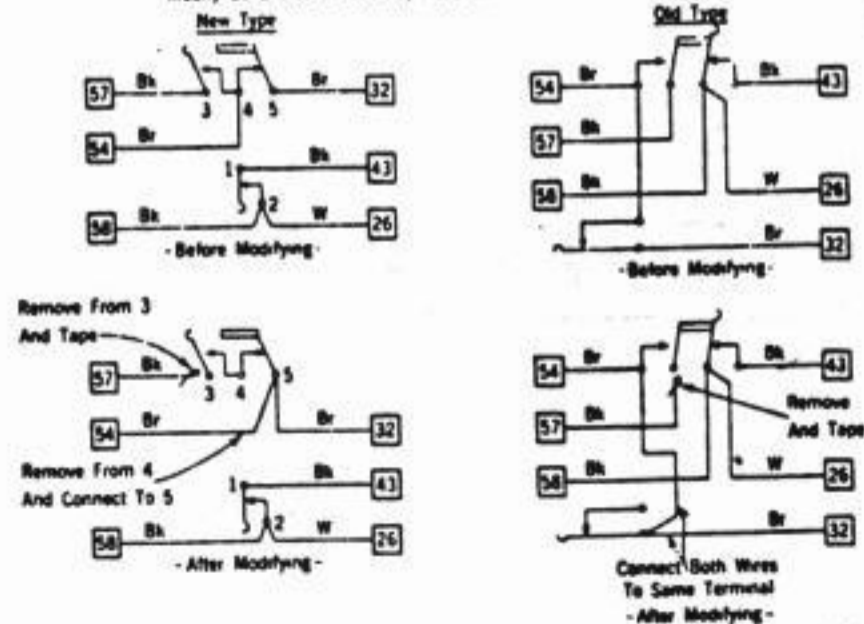
## 1. GENERAL

1.01 This addendum supplements Section P30.502 by adding Connection Plans L9.05 and L9.08. It has been reissued to add the latter Plan.

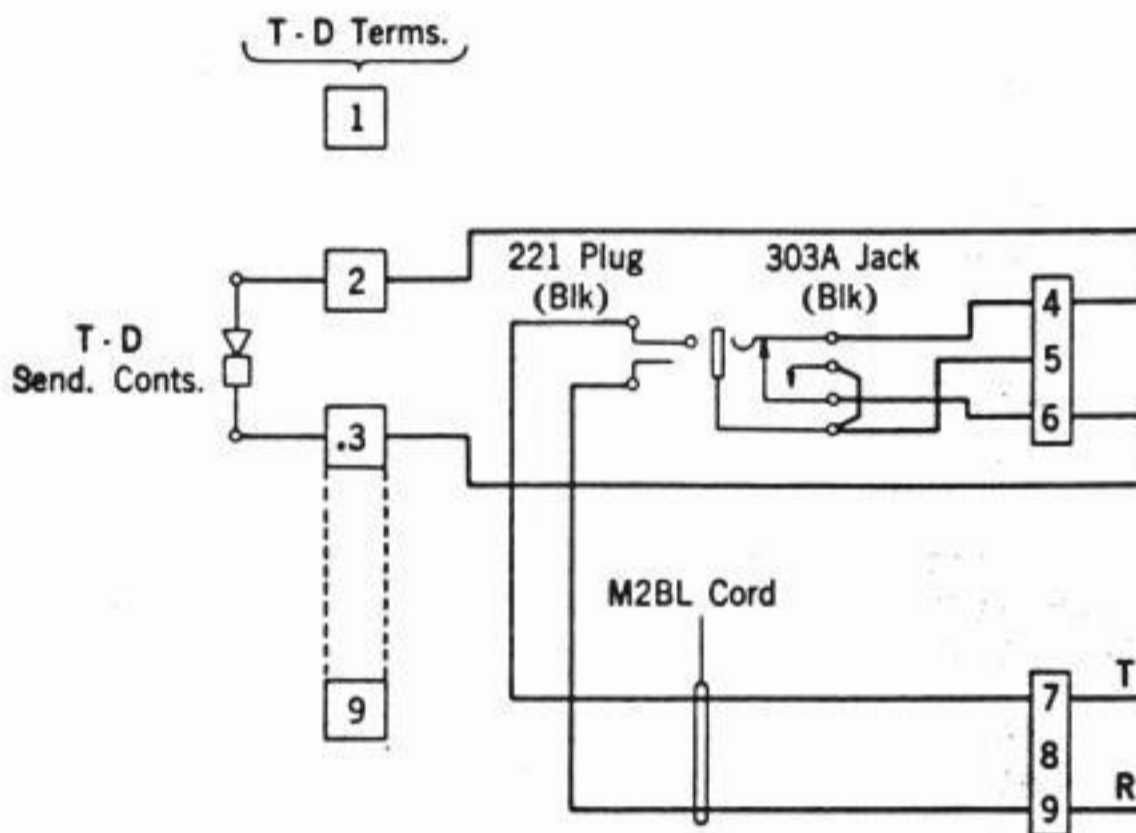
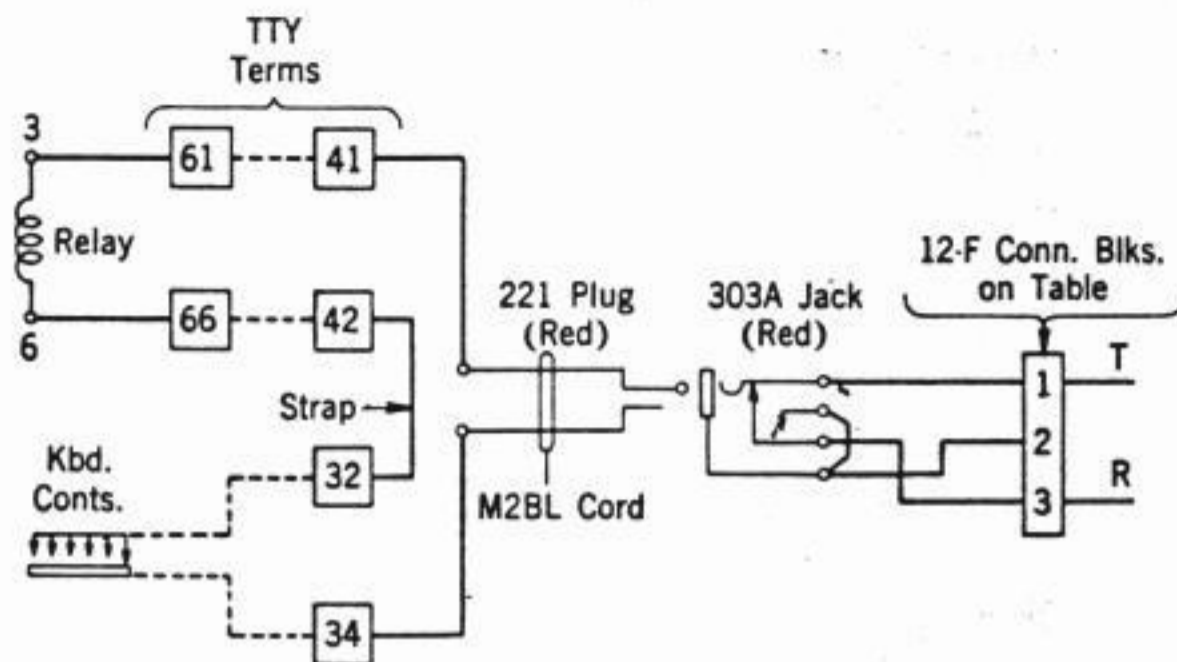
1.02 Connection Plan L9.08 provides information to permit the rearrangement of a No. 19 teletypewriter set equipped with the remote motor control arrangement, so that its transmitter-distributor can be used as an independent unit and the remainder of the set as another unit.



NOTES: Remove Strap Between TTY Terms. 32 And 42  
Transfer Red Wire On Table Term. 6 To Table Term. 7  
Add Wire Between Table Term. 6 And Table Term. 7  
Disable Line Test Key In Accordance With Plan M210  
Modify Send Rec Break Key As Shown Below



L9.05 19 TTY SET - 19 - A TABLE - DUPLEX OPERATION (See PMS.13 - 9.18)



L 9.08

19 TTY SET 19-A TABLE.  
MODIFICATION TO PERMIT TRANS. DIST. TO BE  
USED AS AN INDEPENDENT UNIT AND  
REMAINDER OF SET AS ANOTHER UNIT.  
REMOTE CONTROL OF TTY MOTOR PER BSP P30.752

**BELL SYSTEM PRACTICES**  
**Teletypewriter and Manual**  
**Telegraph Station and P.B.X.**  
**Installation and Maintenance**

**SECTION P30.502**  
**Issue 4, May, 1951**  
**AT&T Co Standard**

## **LINE CONNECTION**

### **19-TYPE TELETYPEWRITER SET**

### **WITHOUT SUBSCRIBER SET**

#### **1. GENERAL**

1.01 This section shows the Line Connection Plans for the 19-type Teletypewriter set when used without subscriber sets.

1.02 This section is reissued to add Plans L3.05 and L3.06, and bring cord designations up-to-date.

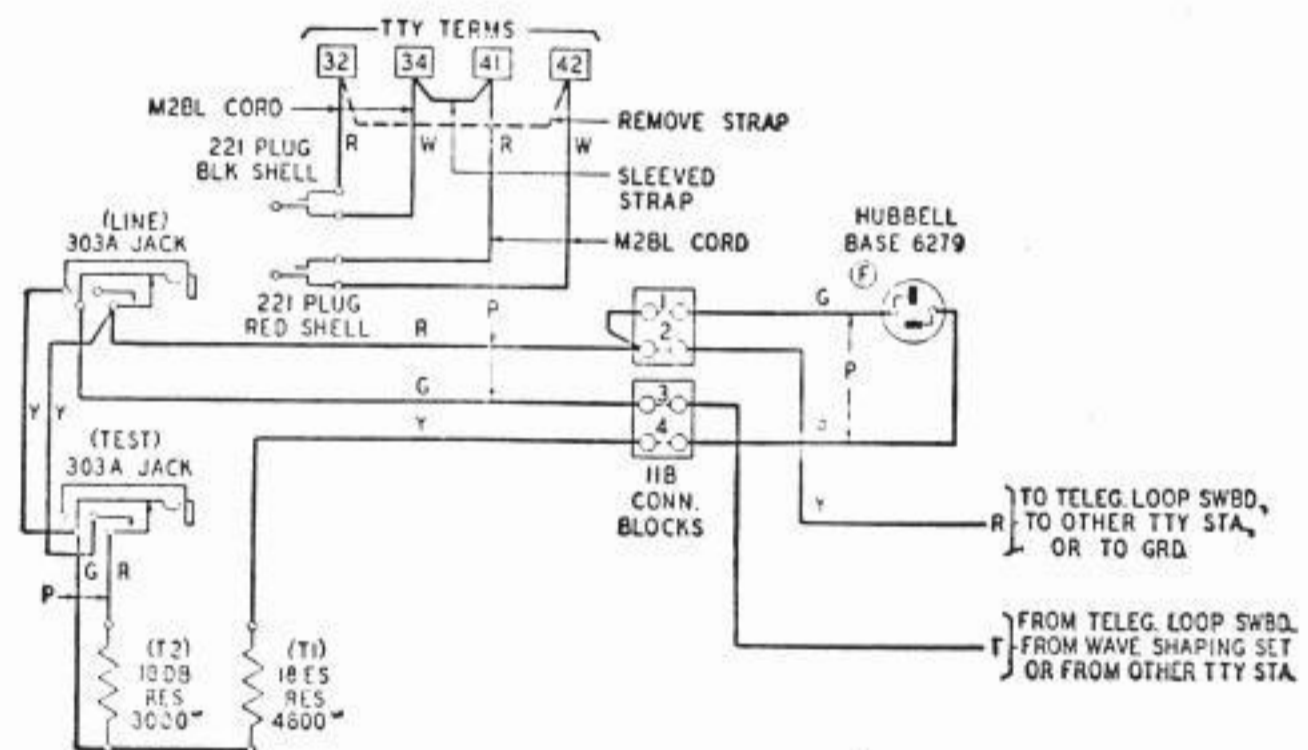
Note: See M Plans as follows:

- L3.01 M2.02, M2.10, M2.13, M2.16, M2.17, M2.18, M2.32, M3.03, M3.08
- L3.02 M2.01, M2.06, M2.13, M2.14, M2.16, M2.18, M2.25, M2.32
- L3.03 M2.01, M2.06, M2.13, M2.14, M2.16, M2.18, M2.32, M2.25, M3.01, M3.04
- L3.04 M2.02, M2.10, M2.13, M3.03, M2.16, M2.17, M2.18, M2.32, M3.08
- L3.05 M2.01, M2.06, M2.13, M2.14, M2.16, M2.18, M2.25, M2.32, M2.37
- L3.06 M2.01, M2.06, M2.13, M2.14, M2.16, M2.18, M2.25, M2.32, M2.37, M3.01, M3.04

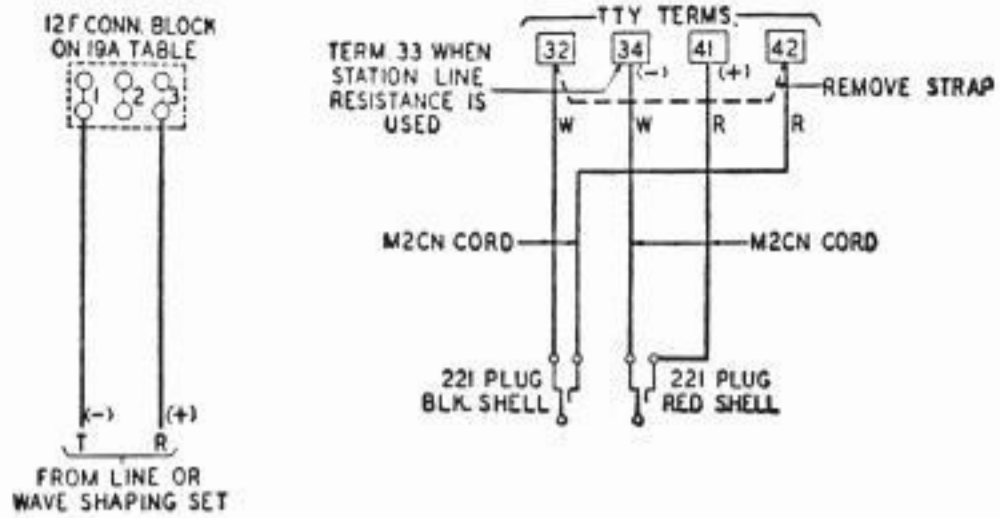
These M Plans provide the following features:

- M2.01 Operation without line relay (15A Base)
- M2.02 Polar operation of line relay (15A Base)
- M2.06 Operation in 60 Mil circuit (15A, B, C, D, E keyboards and 15A, B, C, D, E, F Perf.-Trans.)
- M2.10 TTY permanently in line condition (15A, B, C, D, E, keyboards and 15A, B, C, D, E, F, Perf.-Trans.)
- M2.13 Disabling power switch (15A Base)
- M2.14 Station line resistance (15A, B, Base)
- M2.16 Operation with line relay (15C Base)

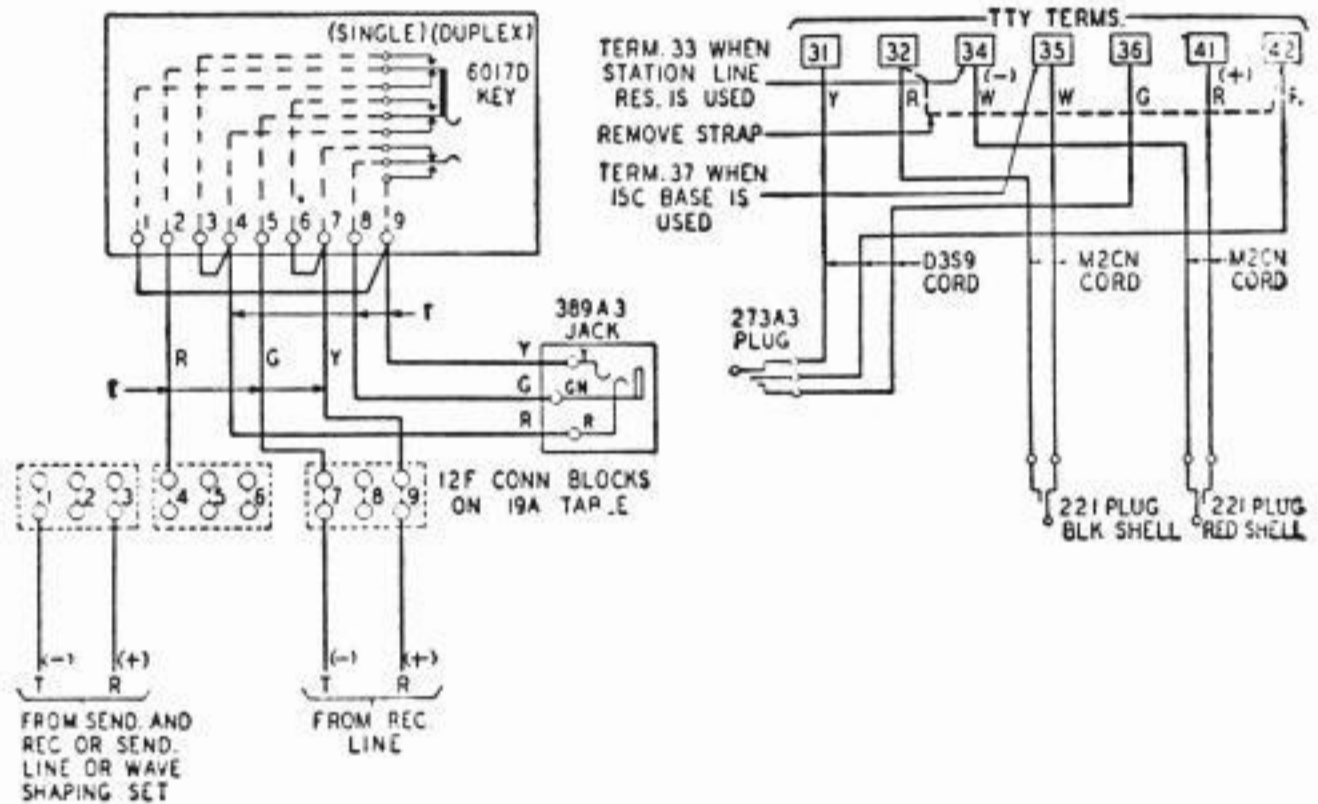
- M2.17 Polar operation of line relay (15C Base with line relay)
- M2.18 Operation in 60 Mil circuit (15C Base with line relay)
- M2.24 Sending contact spark-killer for duplex operation (15C Base)
- M2.25 Station line resistance (15C Base)
- M2.32 Operation with 15K, J Motor Units (15A, B Base)
- M2.37 Operation in .020 Amp. Circuit (15A Base)
- M3.01 Single or duplex operation, with external switching key (15A Base)
- M3.03 Connection for Type A polarential (15A Base)
- M3.04 Single or duplex operation, with external switching key (15C Base)
- M3.08 Connections for Type A polarential (15C Base)



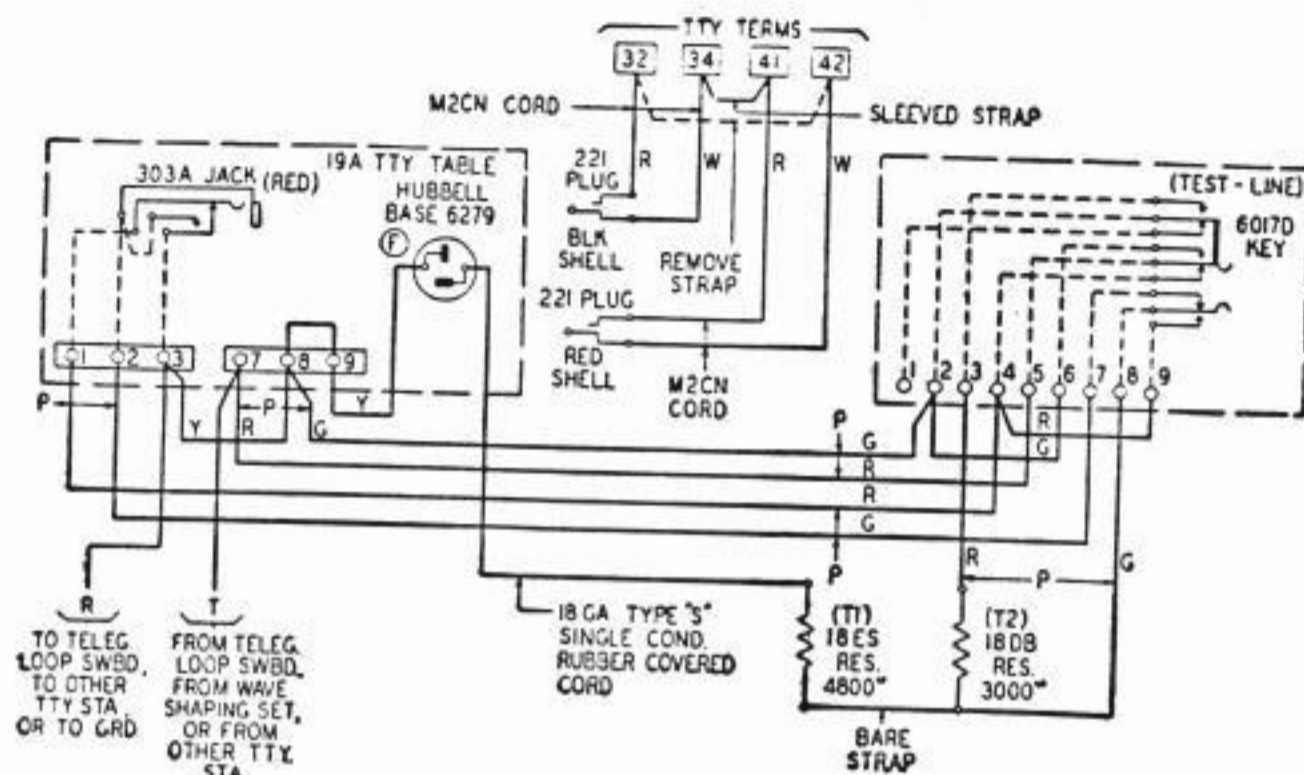
**L3.01. 19 TTY Set—19A Table—Type "A"  
Polarential Station**



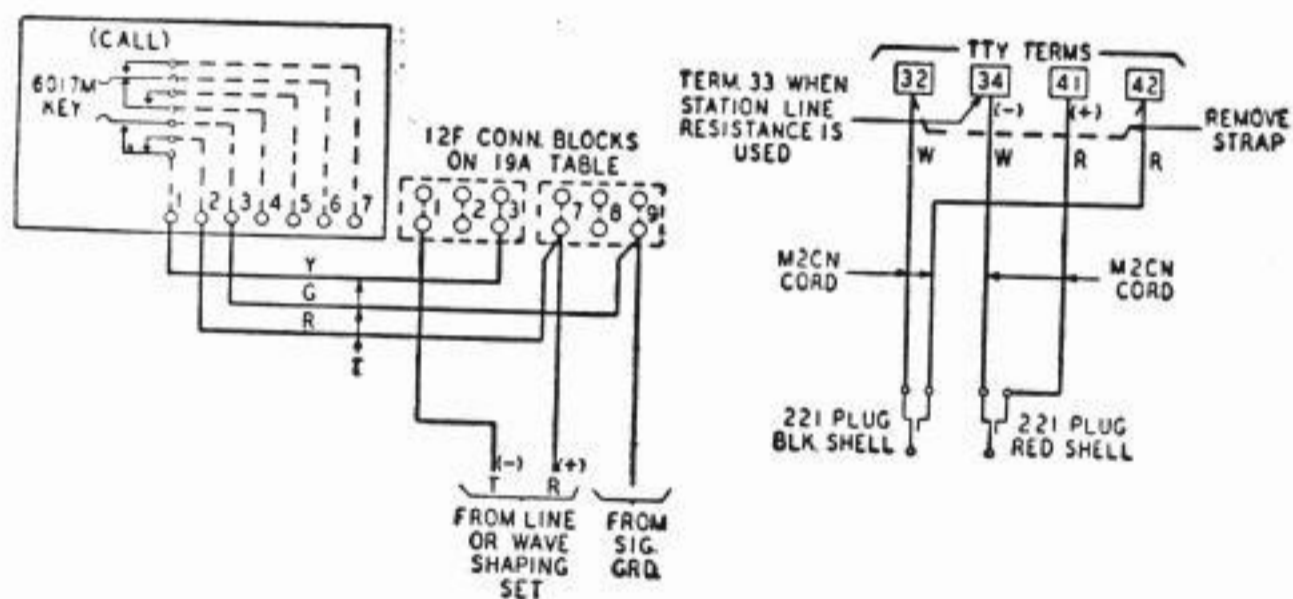
**L3.02. 19 TTY Set—19A Table  
Single Operation—Two Wire Line**



**L3.03. 19 TTY Set—19A Table  
Duplex—Single Operation**

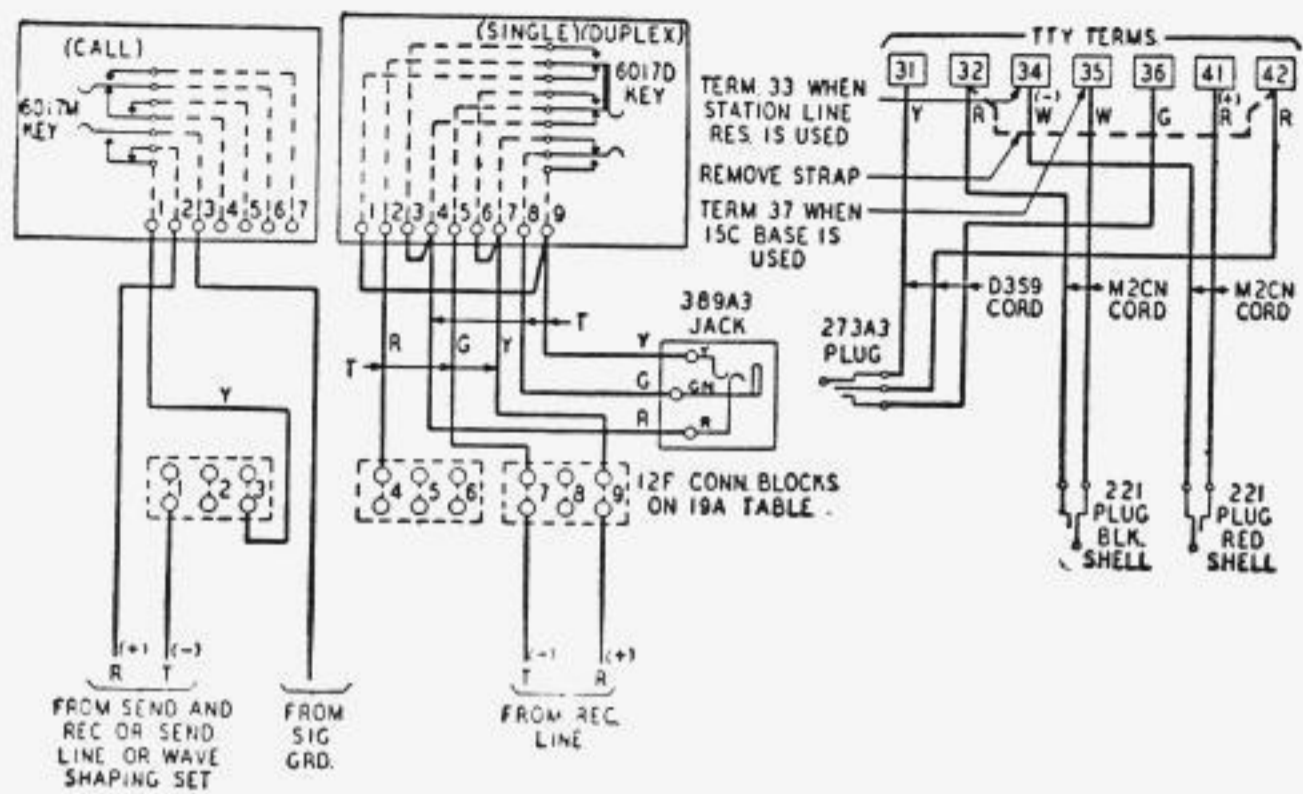


L3.04. 19 TTY Set—19A Table—Type "A"  
Polarential Station

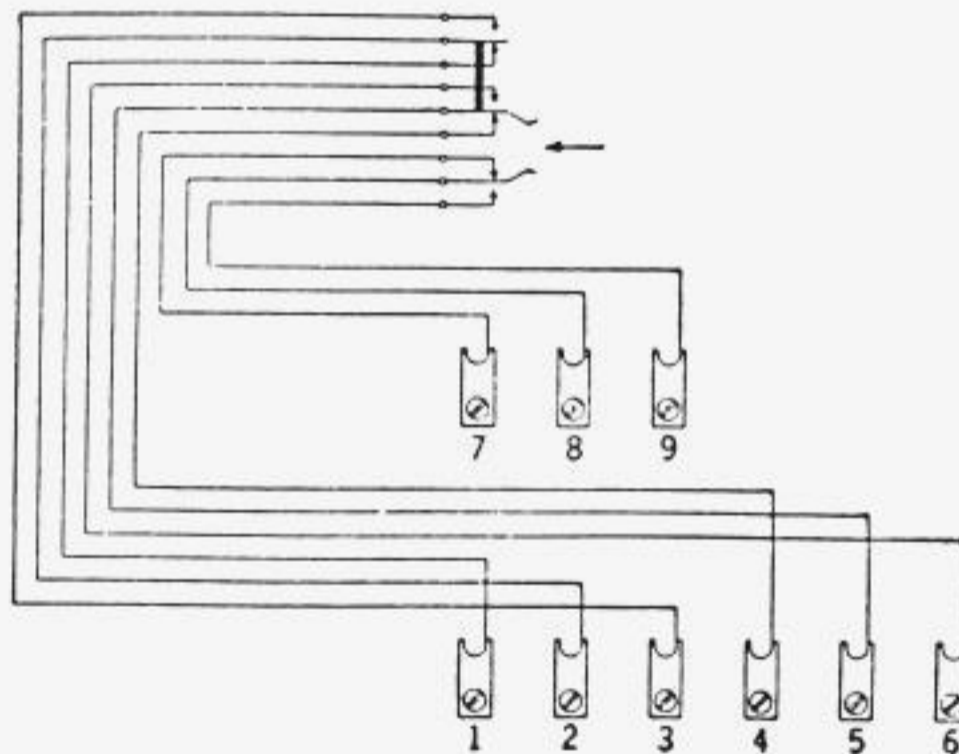


L3.05. 19 TTY Set—19A Table—Single Operation with  
Call Key—Two Wire Line





**L3.06. 19 TTY Set—19A Table—Duplex-Single Operation with Call Key**



**No. 6017D Key**