

BELL SYSTEM PRACTICES
Teletypewriter Stations

SECTION P30.453
Issue 6, May, 1957
AT&T Co Standard

POWER CONNECTIONS TO TELETYPEWRITER TERMINALS 19 TYPE TELETYPEWRITER

1. GENERAL

- 1.01 This section shows the Power Connections to 19 Teletypewriter Set Terminals.
- 1.02 This section is reissued to bring the index up to date by including the 120C2, 120D1 and 128C2 subscriber sets.
- 1.03

<u>Plan Number</u>	<u>Index</u>	↖
PM3.01	Neg. Grounded or Ungrounded 115 V. D-C	
PM3.02	Pos. Grounded 115 V. D-C	
PM3.03	115 V. A-C	
PM3.04	115 V. A-C—126B1 Set or Polarential Station	
PM3.05	120B1 Set	
PM3.06	120C1, 120C2 or 120D1 Set—115 V. A-C	
PM3.07	120C1, 120C2 or 120D1 Set—115 V. D-C Pos. Side Grounded	
PM3.08	120C1, 120C2 or 120D1 Set—115 V. D-C Ungrounded or with Neg. Side Grounded	
PM3.09	128C1 or 128C2 Set—Unattended TLX Service	
PM3.10	126A2 Set with External Line-Test—115 V. D-C Ungrded. or with Neg. Side Grounded	
PM3.11	126A2 Set with External Line-Test—115 V. D-C with Pos. Side Grounded	↖

**Plan
Number**

Title

PM3.12 19 TTY Set—126A2 Set with External Line-Test—
115 V. A-C

Note: See "M" Plans as follows:

PM3.01—M2.03, M2.04, M2.26, M2.27, M4.01, M4.03

PM3.02—M2.03, M2.04, M2.26, M2.27, M4.01, M4.03

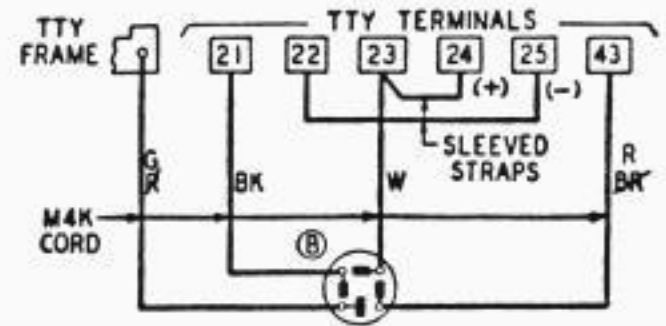
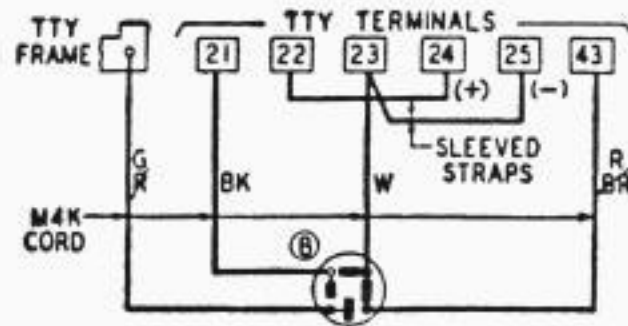
PM3.05—M2.04, M2.27, M4.03

PM3.07—M2.04, M2.27, M4.03

PM3.08—M2.04, M2.27, M4.03

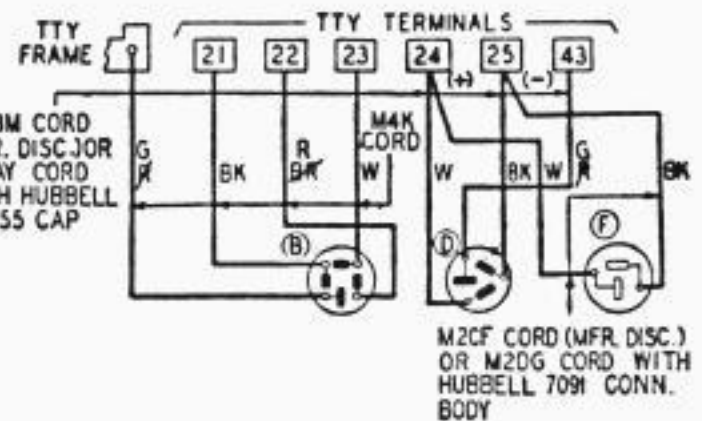
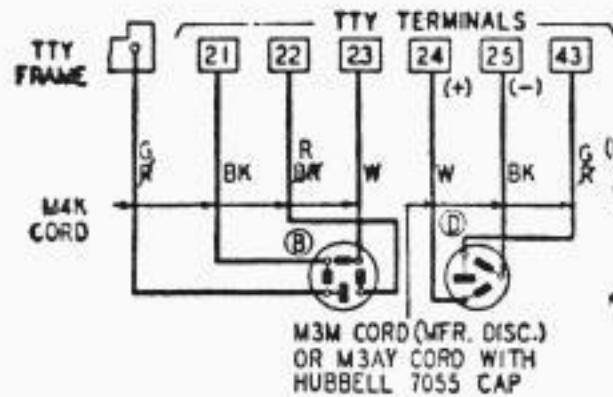
PM3.10—M2.04, M2.27, M4.03

PM3.11—M2.04, M2.27, M4.03



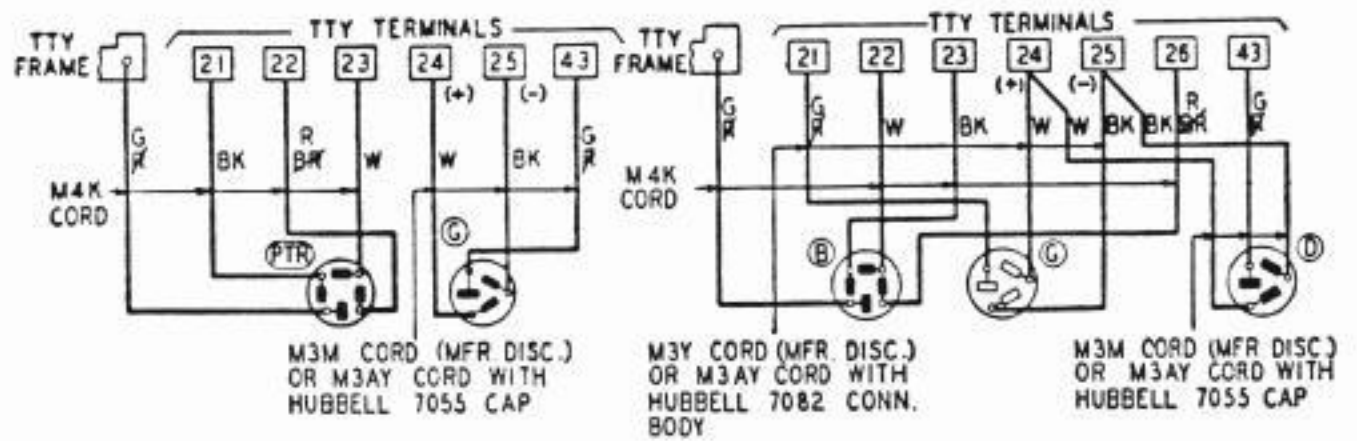
PM3.01—19 TTY Set—115 V.
D-C Ungrded. or
with Neg. Side
Grded.

PM3.02—19 TTY Set—115 V.
D-C with Pos. Side
Grded.



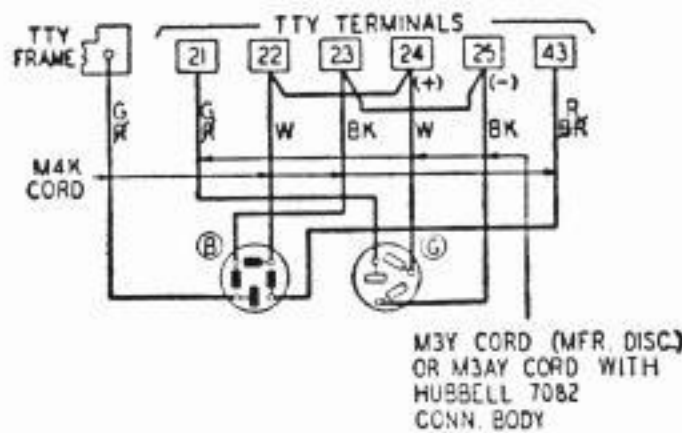
PM3.03—19 TTY Set—115 V.
A-C.

PM3.04—19 TTY Set—115 V.
A-C—126B1 Set or
Polarential Station.

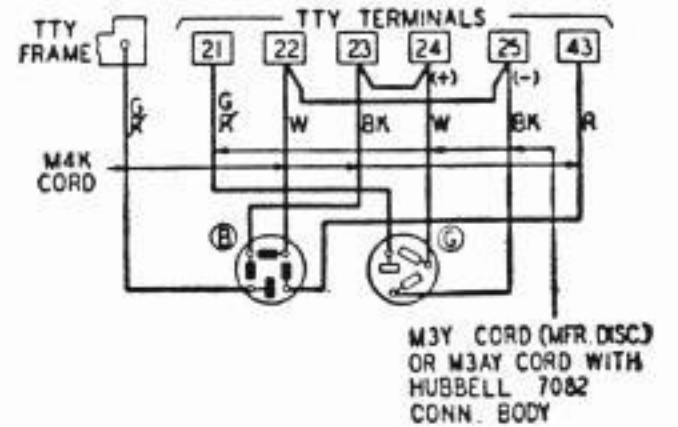


PM3.05—19 TTY Set—120B1 Set.

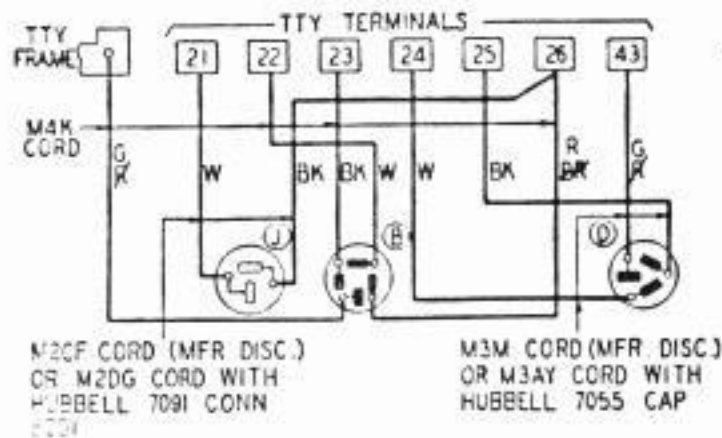
PM3.06—19 TTY Set—120C1, 120C2 or 120D1 Set —115 V. A-C.



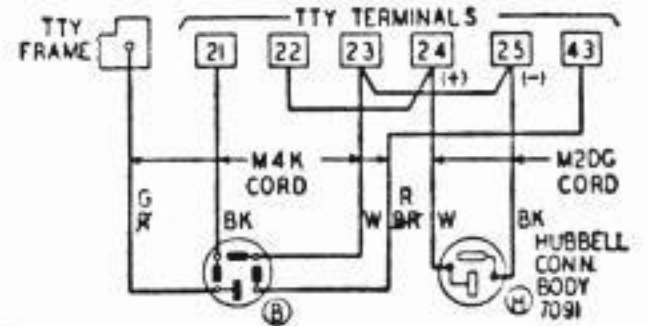
PM3.07—19 TTY Set—120C1, 120C2 or 120D1 Set —115 V. D-C with Pos. Side Grded.



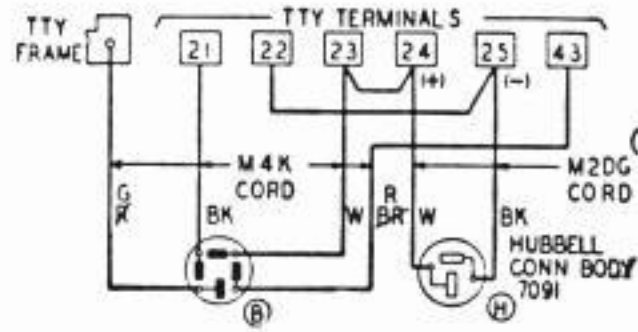
PM3.08—19 TTY Set—120C1, 120C2 or 120D1 Set —115 V. D-C Ungrded. or with Neg. Side Grded.



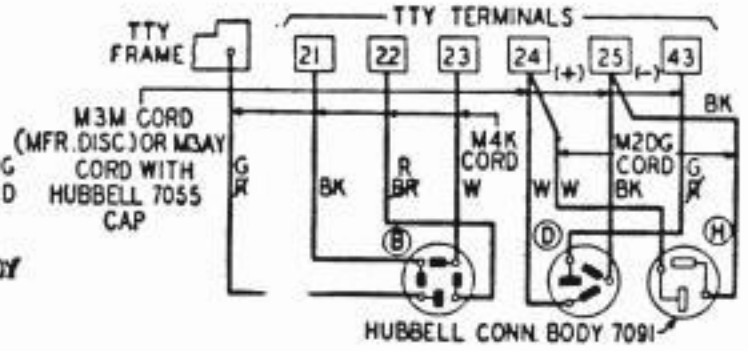
PM3.09—19 TTY Set—128C1 or 128C2 Set — Unattended TLX Service.



PM3.10—19 TTY Set—126A2 Set with External Line-Test — 115 V. D-C Ungrded. or with Neg. Side Grded.



PM3.11-19 TTY Set-126A2
Set with External
Line-Test — 115 V.
D-C with Pos. Side
Grded.



PM3.12-19 TTY Set-126A2
Set with External
Line-Test — 115 V.
A-C.