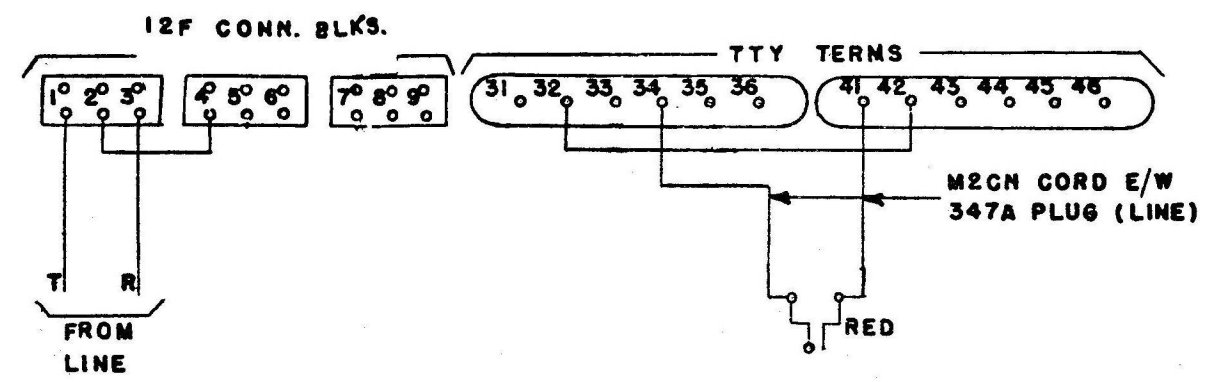
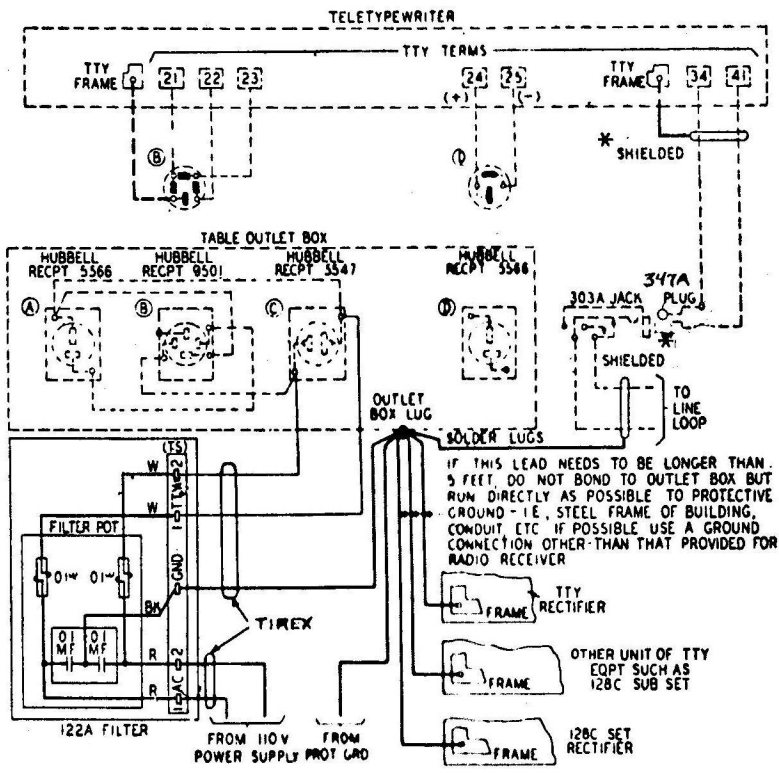


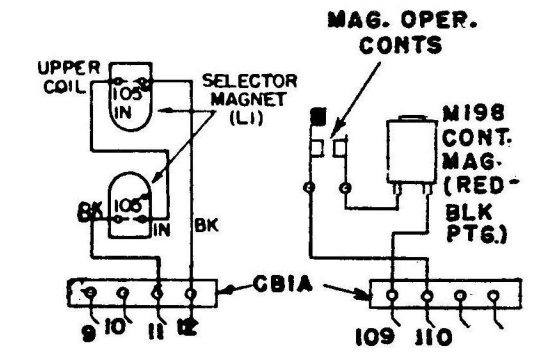
Repl. Sheet dated 10-1-52

WIRING PLAN - 20 RO, XRT200AD Table, AC, 60 Cycle, Switch Control
 Neutral, Single Operation, Line Relay.

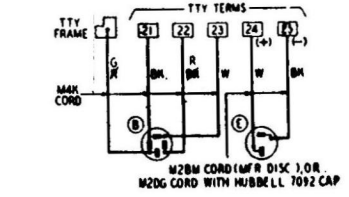
Req. No.
Shop Order No.



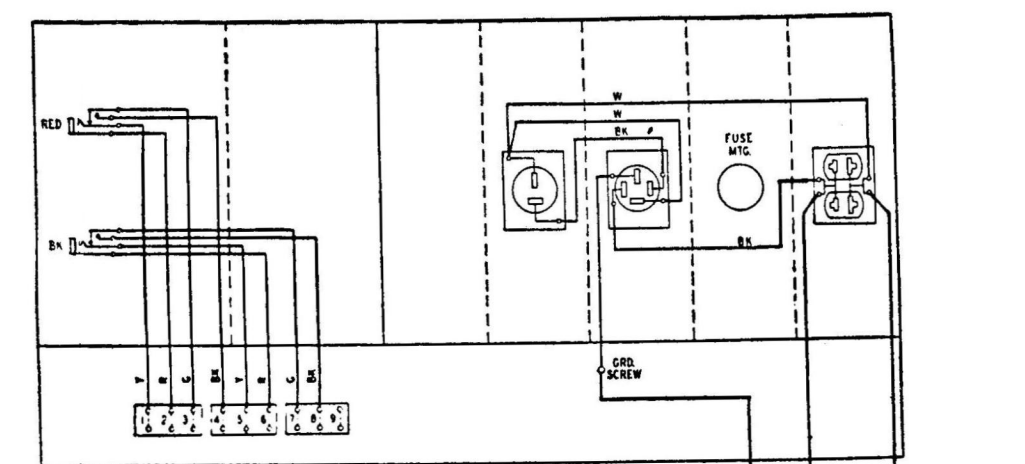
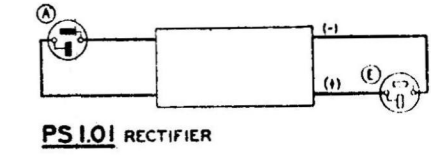
LINE CONNECTIONS FOR NO. 20 TTY



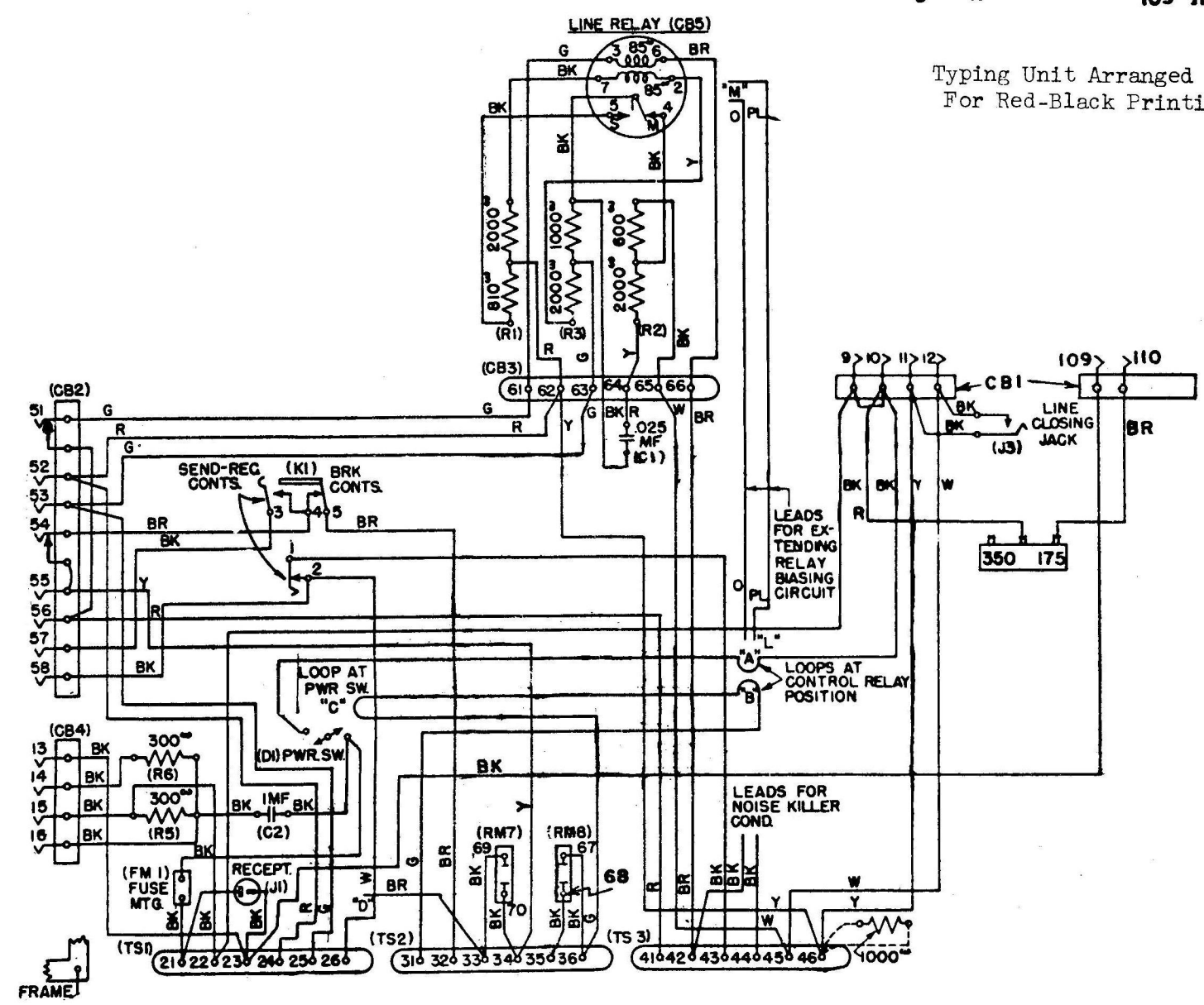
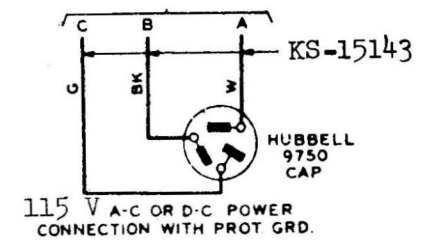
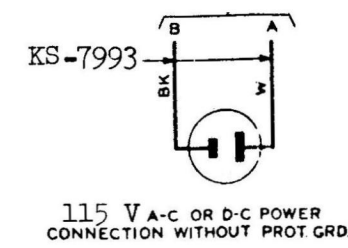
Typing Unit Arranged For Red-Black Printing



PM4B3 - 115V. A-C - Switch or Remote Motor Control.

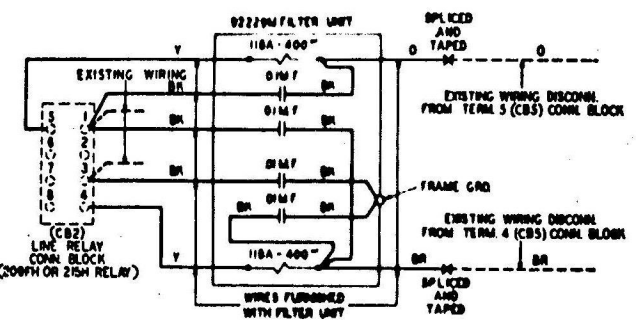


Wiring of 117852 Electrical Service For 20 Type TTY
 FROM 115V SUPPLY
 PROT. GRD. WHEN REQ'D

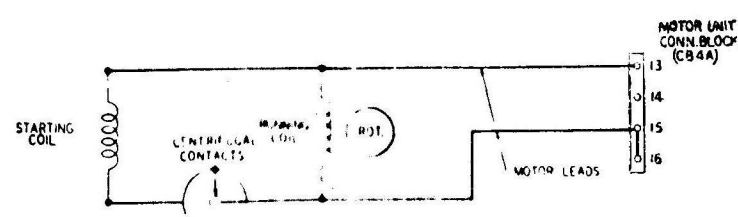


BB-32 BASE ARRANGED FOR RED-BLACK PRINTING

WIRING OF 122A FILTER
 *Shielded when required. (P246314
 20 Ga., 2 Cond. with shield).



WIRING OF LINE RELAY CONTACTS FILTER



No. 15D & L Motor Units for 60 CY. A-C
 No. 15E Motor Unit for 50 CL.C A-C
 (Synchronous Motor)
 (All Wires Are Black)