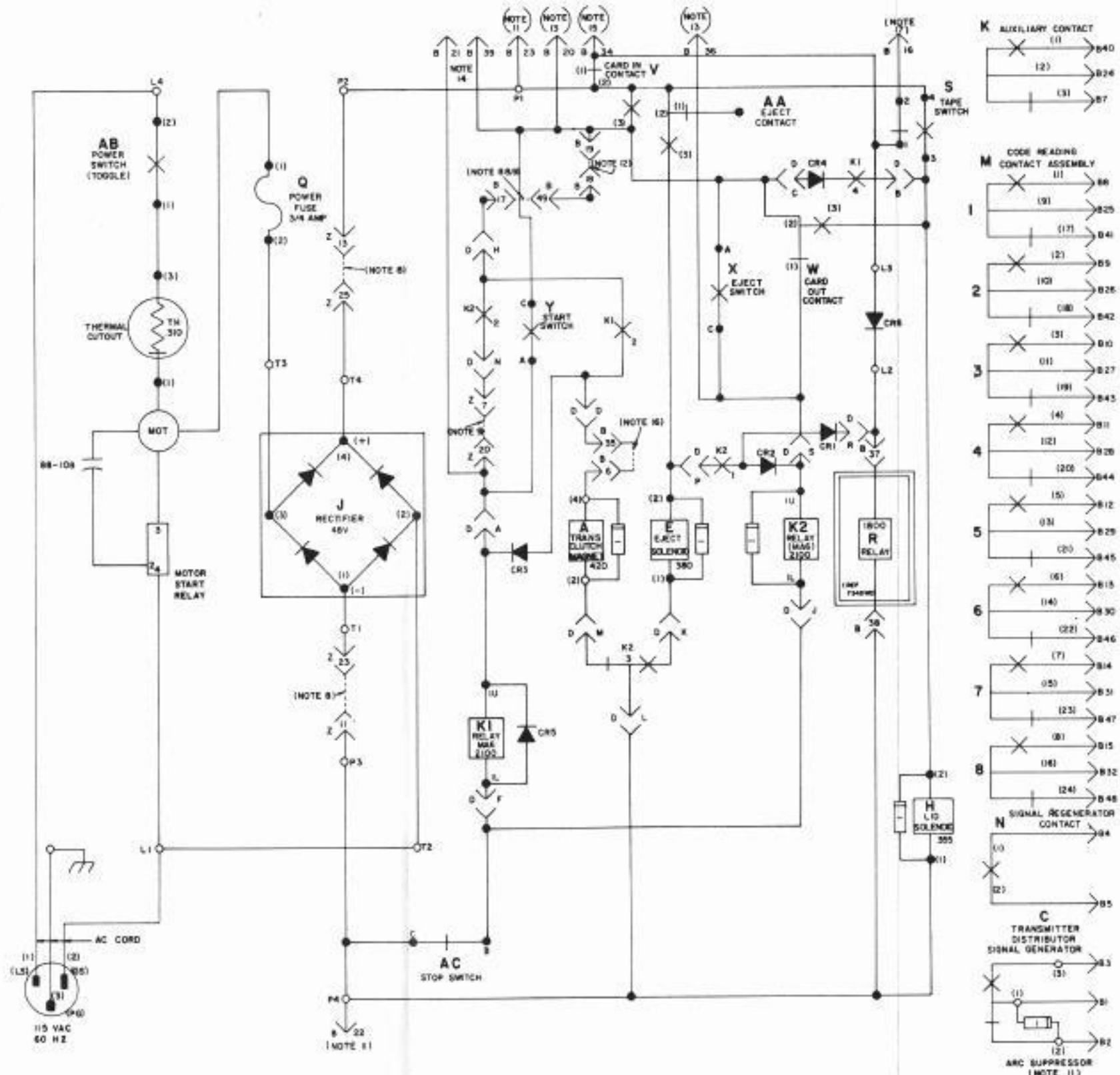
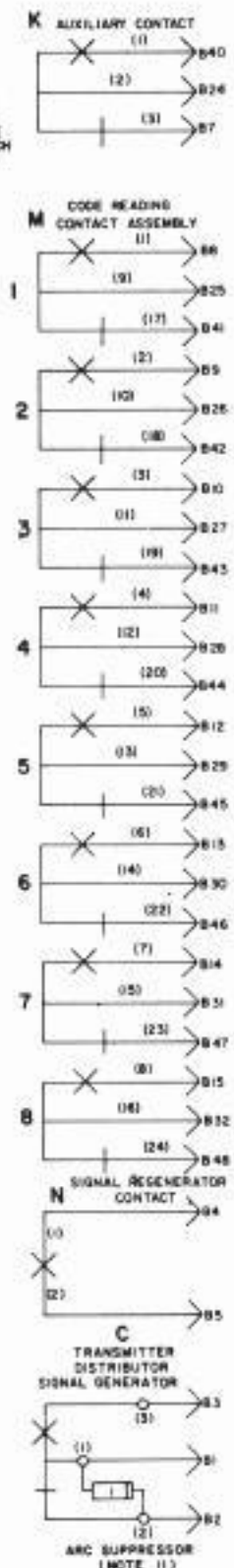


- 1 NUMBERS ENCLOSED IN PARENTHESES ARE FOR REFERENCE ONLY AND ARE NOT SHOWN ON COMPONENTS
- 2 ALL RESISTOR VALUES IN OHMS CAPACITANCE VALUES IN MICROFARADS
- 3  INDICATES RESISTANCE CAPACITANCE NETWORK WITH A 470 OHM RESISTOR IN SERIES WITH A 0.11 MFD CAPACITOR
- 4 DOTTED LINES REPRESENT STRAPS TO BE APPLIED TO OR REMOVED FROM THE EXTERNAL B CONNECTOR OR THE Z CONNECTOR AS NOTED
- 5 REFERENCE SPECIFICATION FOR TELETYPE CORPORATION EMPLOYEES ONLY: 93 9315
- 6 ASSOCIATED ACTUAL WIRING DIAGRAMS 7335ND AND 7331ND FOR CIRCUIT CARD. SEE 305273
- 7 ALL CONTACTS SHOWN IN THE UNOPERATED POSITION
- 8 TO OPERATE AS A SELF-CONTAINED HAND FED CARD READER, STRAP Z13 TO Z25, AND Z11 TO Z25, AND B17 TO B49, B18 TO B19 AND B35 TO B6
- 9 TO OPERATE WITH CARD FEEDER UNIT, STRAP Z13 TO Z25, Z11 TO Z23, AND Z7 TO Z20, CONNECT FEEDER RELAY R TO B37 AND B38. INSTALL THE WIRES FROM THE ROLLER SWITCH IN THE FEEDER UNIT TO B17 AND B49 (SEE 7341ND)
- 10 48V DC EXTERNAL POWER SUPPLIES CONNECTED TO B22 & B23 + LINE TO B23 & - LINE TO B22 TO AVOID DAMAGE TO CR5 POLARITY MUST BE OBSERVED. REMOVE STRAPS BETWEEN Z13 TO Z25 & Z11 TO Z23 IF INSTALLED
- 11 UNIT SUPPLIED CONNECTED FOR OPERATION WITH LOW VOLTAGE, LOW CURRENT SIGNAL LINES. CONNECT UNATTACHED END OF SUPPRESSOR TO POINT (1) WHEN USING 820A OR 860A SIGNAL LINES
- 12 IF UNIT IS TO BE STOPPED BY MEANS OF MOMENTARY BREAK CONTACT, REMOVE STRAP BETWEEN B18 & B19. SUBSTITUTE CONTACT FOR REMOVED STRAP (140 AMP)
- 13 CONNECT THE CODE READING AND AUXILIARY CONTACTS IN SERIES BETWEEN B20 & B36 FOR EJECTION BY MEANS OF A CODE IN THE CARD. A MOMENTARY CONTACT BETWEEN B36 AND B23 MAY ALSO BE USED TO INITIATE EJECTION (825 AMP)
- 14 MOMENTARY MAKE CONTACT FROM STUNT B03, ETC. MAY BE CONNECTED BETWEEN B21 & B39 TO SIGNAL READER CLUTCH TO START (825 AMP)
- 15 B34 MAY BE USED AS INDICATION OF THE ABSENCE OR PRESENCE OF A CARD IN THE READING AREA. ABSENCE OF A CARD RESULTS IN THE CONNECTION OF B34 TO THE 48V DC POWER. EXTERNAL LOADS OF LESS THAN 100Ω MAY BE CONNECTED BETWEEN B34 AND B22
- 16 THE READING CYCLE MAY BE INTERRUPTED AND THEN RESTARTED BY A CONTACT BETWEEN B6 AND B35 (175A)
- 17 USED WITH 321014 SYNCHRONIZATION ASSURANCE MODIFICATION KIT



7336 WD

REVISIONS		
ISSUE	DATE	AUTH. NO.
7	7-12-66	89589
8	8-4-66	89589-1
9	12-13-66	91820
10	7-10-67	94208



SCHEMATIC WIRING DIAGRAM FOR EDGE PUNCHED CARD TRANSMITTER DISTRIBUTOR LEADBOO

APPROVALS

D AND R <i>AGK</i>	E OF M <i>[Signature]</i>
-----------------------	------------------------------

E-NUMBER
PROD. NO. 7336 WD

DATE
P.D. FILE NO.
DRAWN: DMW
ENG. DJD

TELETYPE CORPORATION

7336 WD