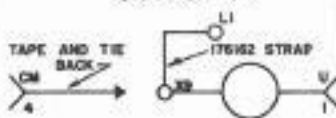
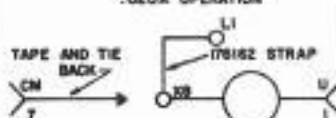


ISSUE CONTROL RECORD

6353WD

NO. 25. NOTES  
 WHEN THE 182044 ELAPSED TIME INDICATOR IS USED ON HALF DUPLEX ARRANGEMENTS, WIRE AS SHOWN AT SP8. WHEN FULL DUPLEX OPERATION IS REQUIRED WIRE TIMER AS SHOWN BELOW:

**.060A OPERATION**  
 TAPE AND TIE BACK  


**.020A OPERATION**  
 TAPE AND TIE BACK  


SUPPORTING INFORMATION  
 CATEGORY NO.

CONTENTS

SHEET NO.

ISSUE	20	21	22	23	24	25	26	27	28	29	30	31	32	33	34	35	36	37
1	X	X	X	X	X	X	X	X										
2	X	X	X															
3	X	X	X															
4	X	X	X															
5	X	X	X															

REVIEWS APPLYING TO THIS CONTROL RECORD

ISSUE	DATE	AUTH. NO.
1	5-26-67	94003
2	8-23-67	94003-D
3	8-23-67	94380-D
4	12-21-67	95147-RC
5	1-16-68	94996-R
6	8-22-68	95993
7	1-27-69	96776
8	4-18-69	99079
9	5-22-69	99045

ISSUE CONTROL SHEET 1 OF 1

WD NUMBER 6353 WD

DRAWN JER	CHKD.
ENGD. A.S.	APPD.

TELETYPE CORPORATION

6353WD

TC 482 6-60 SEL R&D ROUTINE #3 FOR USE OF THIS FORM

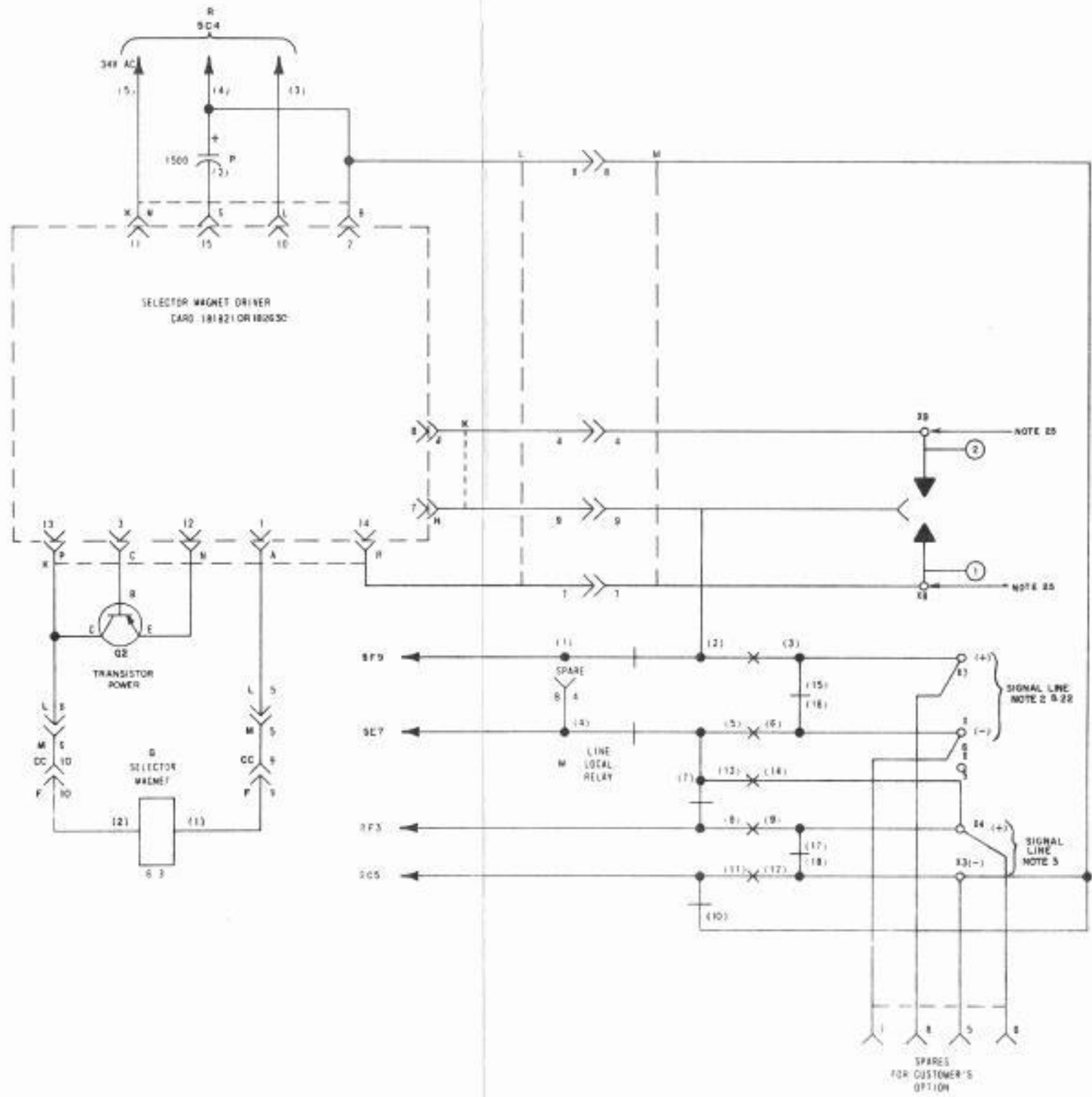
REVISIONS		
ISSUE	DATE	AUTH. NO.
2	11-20-63	79206
3	1-8-64	79934
4	4-9-64	81640
5	6-9-64	81773
6	10-27-64	84602
7	2-15-65	85229-1
8	3-15-65	85643
9	8-6-65	88293
10	10-15-65	88583
11	12-17-65	89007
12	1-15-66	89441-3
13	2-1-66	89837
14	5-2-66	89751-2
15	7-29-66	90750
16	8-9-66	90751
17	5-10-66	90580
18	10-12-66	92771
19	10-18-66	92771
20	12-29-66	92827
21	4-26-67	93600
22	6-23-67	93708-D
23	8-24-67	93800-D
24	1-18-68	94991
25	1-24-68	96778
26	4-18-68	98078
27	8-20-68	99143

- NO NOTES
- FOR ACTUAL WIRING DIAGRAM SEE 6354WD.
  - THE SET IS SHOWN WIRED FOR SIMPLEX .020 AMP. NEUTRAL SIGNAL LINE ON TERMINALS 8 AND 7 OF THE 151411 TERM. STRIP. FOR .020 AMP. NEUTRAL SIGNAL LINE MOVE THE P WIRE FROM TERMINAL 8 TO TERMINAL 9 OF THE 151411 TERMINAL STRIP. ALSO MOVE THE BL WIRE FROM TERMINAL 3 OF THE POWER RESISTOR 181818 TO TERMINAL 4.
  - FOR FULL DUPLEX OPERATION CONNECT THE SEND SIGNAL LINE TO TERMINAL 4 AND 3 OF THE 151411 TERMINAL STRIP. MOVE THE W-BL WIRE FROM TERMINAL 4 TO 3 AND THE BR-Y WIRE FROM TERMINAL 3 TO 3 ON THE 151411 TERMINAL STRIP.
  - ON KSR SETS ALL ASSOCIATED READER WIRING IS NOT USED.
  - ALL CAPACITANCE VALUES IN MICROFARADS UNLESS OTHERWISE SPECIFIED.
  - ALL RESISTORS 1/2 WATT AND RESISTANCE VALUES IN OHMS UNLESS OTHERWISE SPECIFIED.
  - ON RD SETS USE 181838 PLUG ASSEMBLY.
  - THESE CONNECTIONS ARE MADE AS OPTIONS BY THE CUSTOMER AND OR THE FACTORY.
  - .020 AMP. SIGNAL LINE OPTION ①  
.020 AMP. SIGNAL LINE OPTION ②
  - THIS IS AN B LEVEL UNIT.
  - THESE WIRES ARE IN THE DISTRIBUTOR CABLE AND SHARED. IF NOTE 18 APPLIES TAPE AND THE BACK THESE WIRES.
  - THIS FUSE NOT INCLUDED ON SOME SETS. FUSE VALUES ARE AS FOLLOWS:
 

TRANSFORMER	FUSE	PART NO.
181878	1/2 AMP. SL-BL	117136
187851	8.18 AMP. SL-BL	162360
  - WIRING SHOWN AS PA. 15 FOR EVEN PARITY KEYBOARDS.
  - FURNISH 115V AC ± 10%, 60 CYCLE EXCEPT 50 CYCLE ON 337AB, TA, KSR SETS, 337AC TA, TWP, TDM, ASH SETS AND 337BM RD SETS.
  - APPROPRIATE FUSE IN 182182 FUSEHOLDER NOT INCLUDED IN EARLY SETS.
 

MOTOR	FUSE VALUE	FUSE PART NO.
182241	2.8 AMPS	138538
182267	1.8 AMPS	322248
  - NETWORK 153831
 

470	0.15
-----	------
  - 60 CYCLE READER TRIP COIL RESISTANCE IS 630 Ω. 50/60 CYCLE READER TRIP COIL RESISTANCE CHANGED FROM 630 Ω TO 780 Ω FOR IMPROVED 50 CYCLE OPERATION.
  - LOW PAPER ALARM CONTACTS NOT FOUND IF ALL UNITS CONTACT RATING 4 AMP AT 30V DC.
  - TO CUSTOMER SUPPLIED ALARM
  - AA, AB, AJ, AK REFER TO MANUAL READER. BA, BB, BL, BK, BL, BK REFER TO AUTOMATIC READER
  - MAY NOT BE FOUND ON EARLY UNITS.
  - 337CB TO BE WIRED FOR .020 AMP. SIGNAL LINE OPERATION
  - FOR CUSTOMER USE REQUIRES 48 VAC POWER SUPPLY
  - THE 184556 ELAPSED TIMER ASSEMBLY IS USED ON UP848 AND UP856
- NOTES CONTINUED ON ISSUE CONTROL SHEET.



SEE ISSUE CONTROL RECORD FOR COMPLETE LIST OF SHEETS COMPRISING THIS W D

SHEET 1

SCHEMATIC WIRING DIAGRAM FOR MODEL 33 ABR, KSR, RD DC SIGNAL LINE

APPROVALS

D AND R	E OF M
---------	--------

E-NUMBER

PROD. NO. 6353WD

DATE 4-24-67

R.D. FILE NO. 2-30 152/153AA

DRAWN JER. CHD.

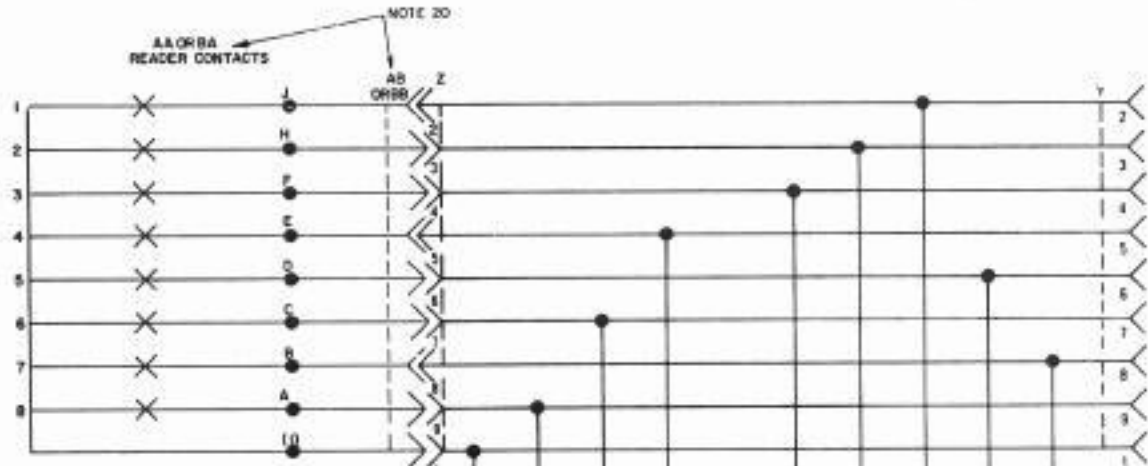
ENGD. A.S. APPD.

TELETYPE CORPORATION

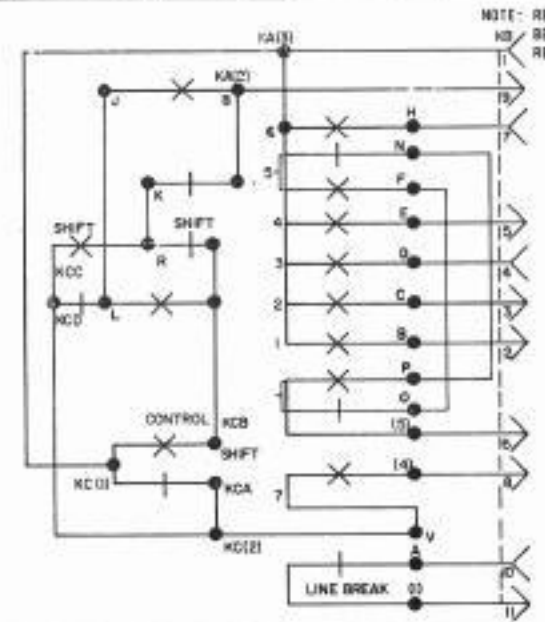
6353WD

REVISIONS

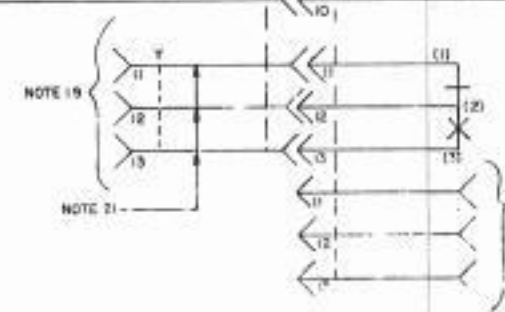
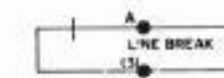
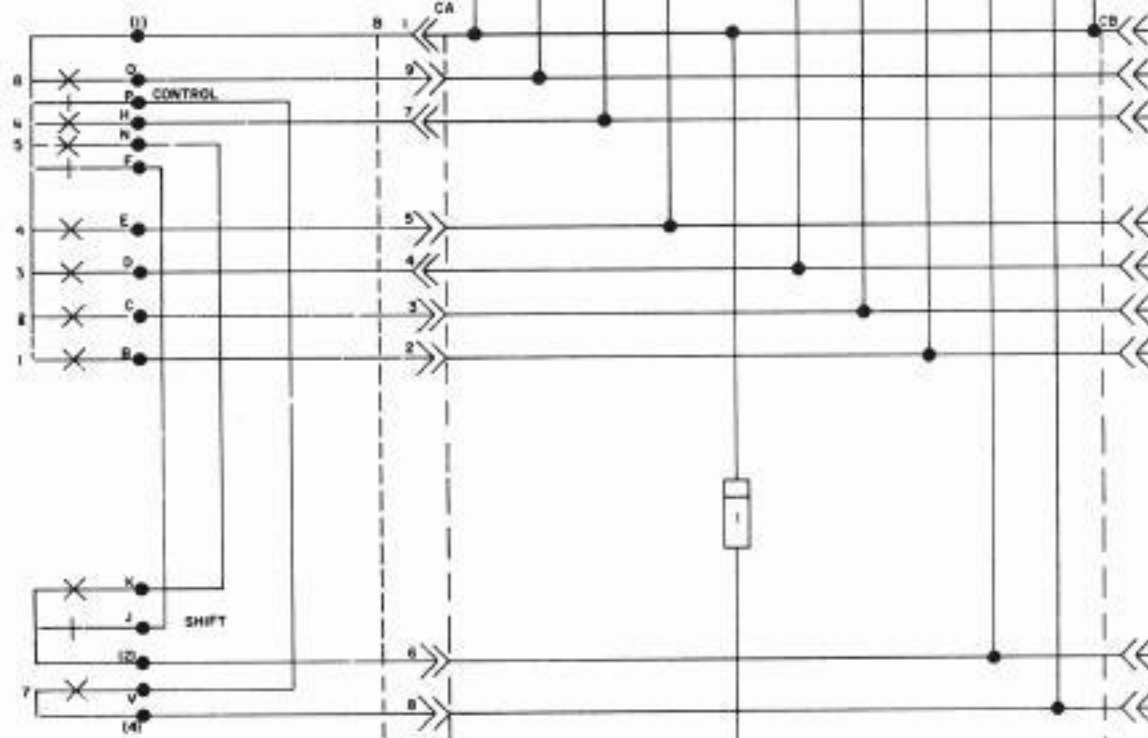
ISSUE	DATE	AUTH. NO.
2	11-20-63	79266
3	1-8-64	79934
4	4-9-64	81640
5	6-9-64	81773
6	11-27-64	84602
7	2-10-65	84599-1
8	3-15-65	85653
9	4-6-65	86353
10	12-10-65	88863
11	12-17-65	89007
12	1-13-66	89841-3
13	2-19-66	90317
14	3-9-66	90721-2
15	3-23-66	90730
16	5-2-66	90374
17	5-22-66	90380
18	10-12-66	90777
19	10-20-66	92161
20	2-28-68	92968
21	5-23-67	94073
22	8-27-67	94005-1D
23	1-24-69	96776



SPARES FOR CUSTOMER'S OPTION



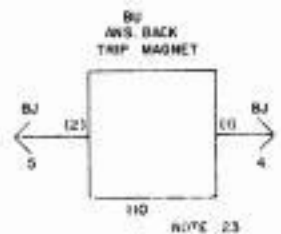
KEYBOARD CONTACT ARRANGEMENT



D PAPER OUT ALARM

NOTE 18

D DISTRIBUTOR DISC



E ANSWER BACK CONTACTS

SEE ISSUE CONTROL RECORD FOR COMPLETE LIST OF SHEETS COMPRISING THIS W D

SHEET 2

SHEMATIC FIRING DIAGRAM FOR MODEL 33 ASR, MSR, RO DC SIGNAL LINE.

APPROVALS

D AND R      E OF W

E-NUMBER

PROD. NO. 6353WD

DATE 4-12-67

P.D. FILE NO. 2-30 152 153AA

DRAWN JR      CHKD.

ENGD. AS      APPD.

TELETYPE CORPORATION

6353WD

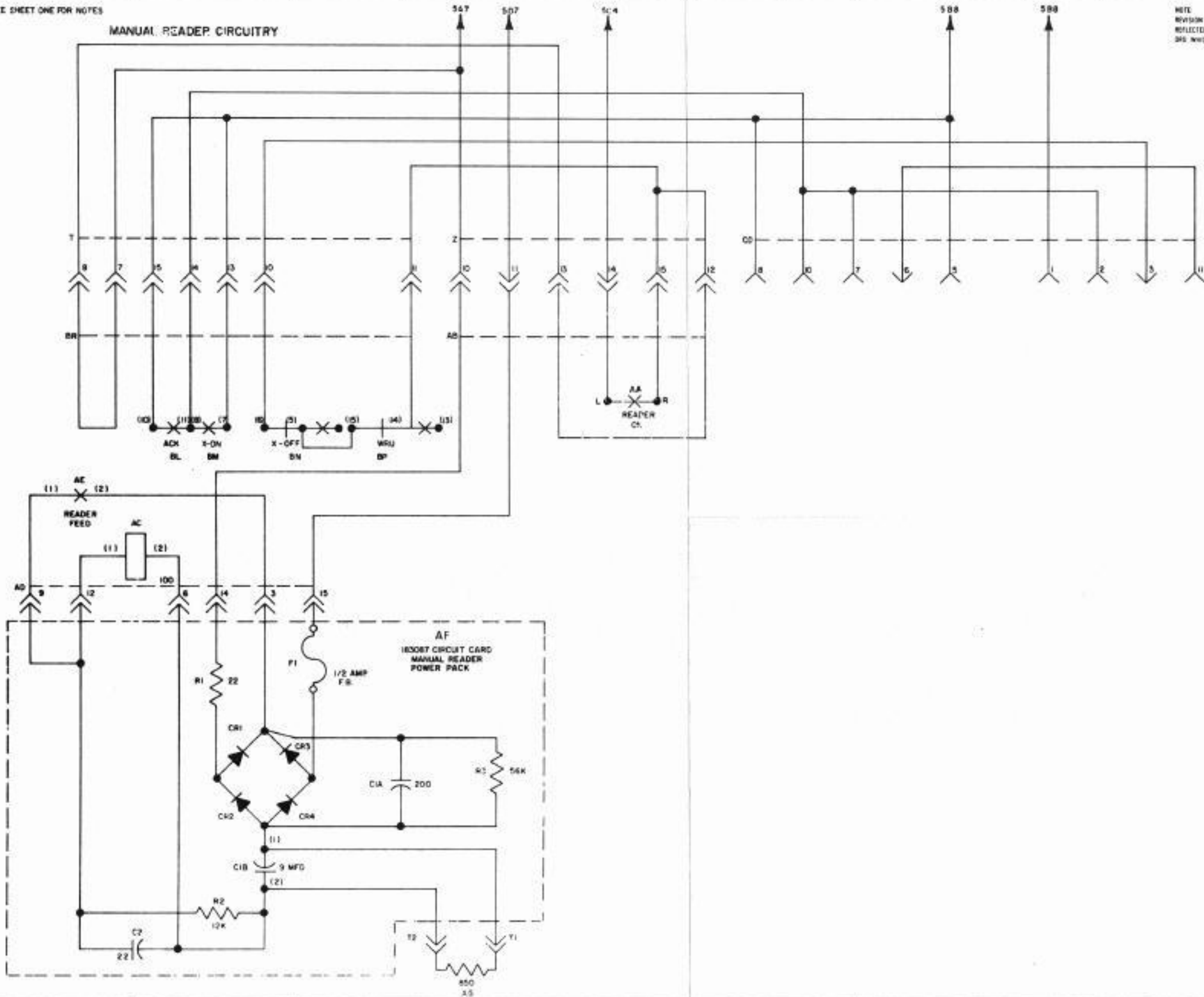
MANUAL READER CIRCUITRY

NOTE  
REVISION INFORMATION MUST ALSO BE  
REFLECTED ON THE ISSUE CONTROL REC-  
ORD, WHICH IS A PART OF THIS DRAWING.

6353WD

REVISIONS

ISSUE	DATE	AUTH. NO.
2	11-20-63	79266
3	1-8-64	79934
4	4-9-64	81640
5	6-9-64	81773
6	11-27-64	84602
7	2-15-65	84999-1
8	3-15-65	85641
9	6-6-65	88293
10	10-19-65	88985
11	12-17-65	89700
12	1-15-66	90641-5
13	2-17-66	90757
14	3-9-66	91711-2
15	3-26-66	92780
16	4-2-66	93473
17	5-12-66	94791
18	6-12-66	95791
19	10-28-66	97181
20	12-28-66	97882
21	8-22-68	98993



SEE ISSUE CONTROL RECORD FOR COM-  
PLETE LIST OF SHEETS COMPRISING THIS  
WD.

SHEET 3 WDF

SCHEMATIC  
WIRING DIAGRAM  
FOR  
MODEL 33  
ASR, KSR, RO  
DC SIGNAL LINE

APPROVALS

D AND R	E OF M
---------	--------

E-NUMBER  
PROD. NO. 6353 WD  
DATE 4-20-67  
P.D. FILE NO. 2-30 152/153AA  
DRAWN JCH CHKD.  
ENGD. AS APPD.

TELETYPE CORPORATION

6353WD

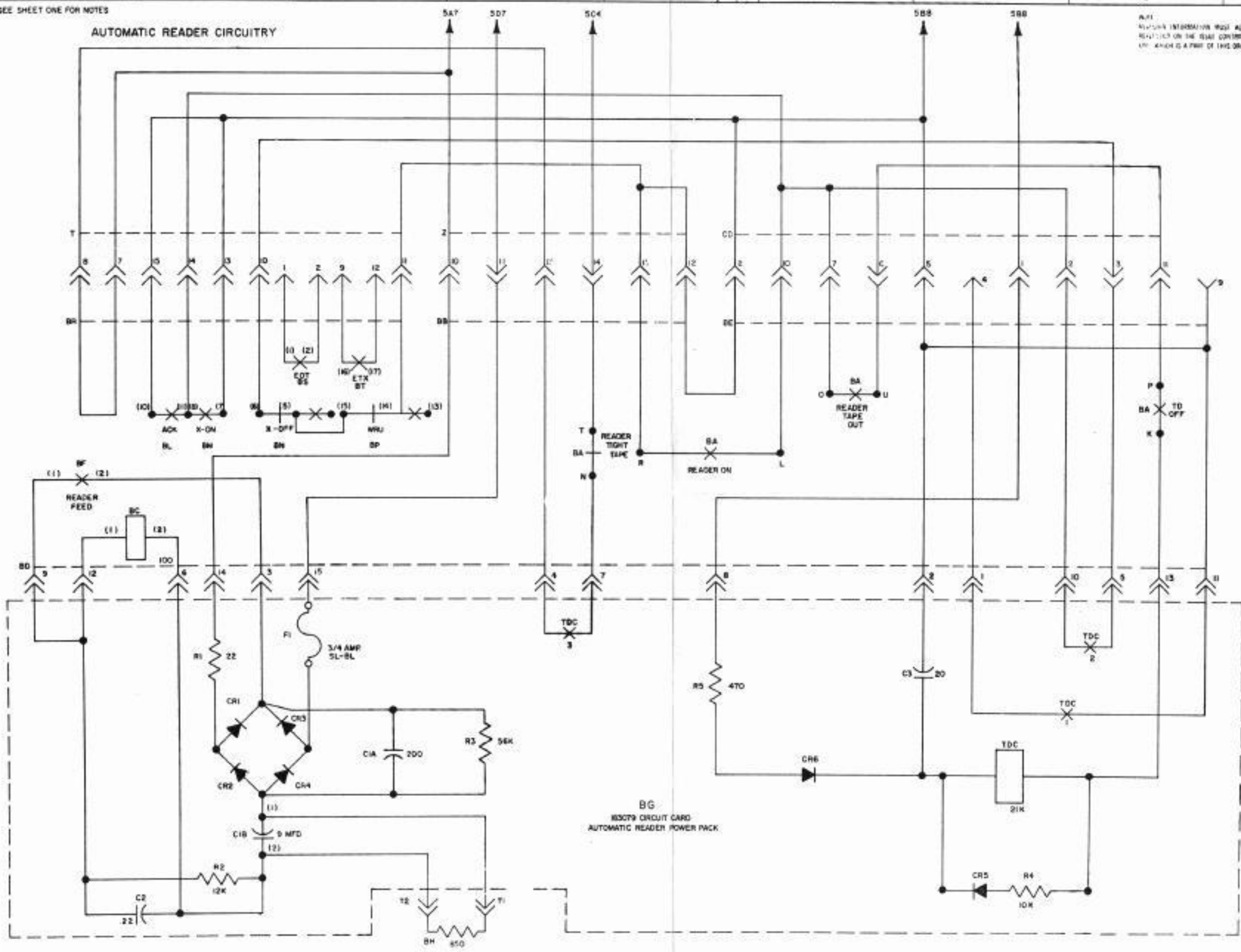
AUTOMATIC READER CIRCUITRY

ALL  
MOUNTING INFORMATION MUST ALSO BE  
REFLECTED ON THE BOARD CONTROL REC-  
ORD WHICH IS A PART OF THIS DRAWING

6353WD

REVISIONS

ISSUE	DATE	AUTH. NO.
2	11-20-63	79266
3	1-8-64	79934
4	4-9-64	81640
5	6-9-64	81773
6	11-27-64	84602
7	2-15-65	84592-1
8	3-25-65	85643
9	8-6-65	88291
10	10-15-65	89283
11	12-17-65	92007
12	1-1-66	94691-3
13	2-3-66	95357
14	3-9-66	95725-2
15	5-2-66	97190
16	5-2-66	98374
17	5-2-66	99380
18	10-19-66	99771
19	10-19-66	99781
20	12-28-66	99982
21	1-24-69	96776



BG  
85079 CIRCUIT CARD  
AUTOMATIC READER POWER PACK

SEE BOARD CONTROL RECORD FOR COMPLETE LIST OF SHEETS COMPRISING THIS W.B.

SHEET 4

SCHEMATIC  
WIRING DIAGRAM  
FOR  
MODEL 33  
ASR, KSR, RD  
DC SIGNAL LINE

APPROVALS

D AND R	E OF M
<i>l B m</i>	<i>---</i>

E-NUMBER  
PRD. NO. 6353 WD  
DATE 4-28-67  
R.D. FILE NO. Z-30 152/153AA  
DRAWN JER  
ENGR. AS  
CHKD.  
APPD.

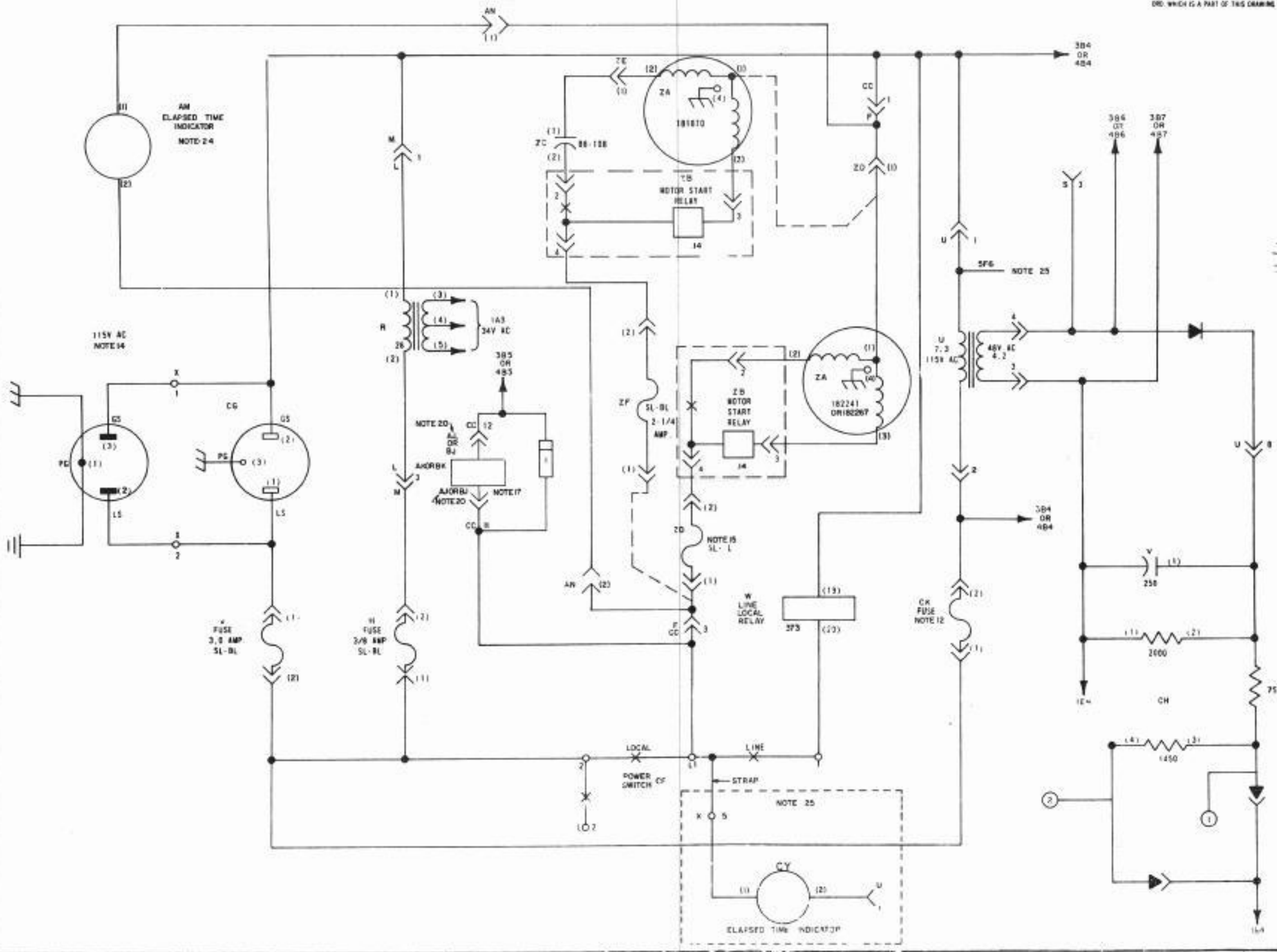
TELETYPE CORPORATION

6353WD

NOTE  
REVISION INFORMATION MUST ALSO BE  
REFLECTED ON THE ISSUE CONTROL REC-  
ORD, WHICH IS A PART OF THIS DRAWING

# 6353WD

REVISIONS		
ISSUE	DATE	AUTH. NO.
2	11-20-63	79266
3	1-8-64	79934
4	4-9-64	81640
5	6-9-64	81773
6	11-27-64	84602
7	2-15-65	85522-1
8	3-15-65	85645
9	6-8-65	86293
10	10-15-65	88383
11	12-17-65	89507
12	1-13-66	88841-3
13	2-17-66	90367
14	3-9-66	89721-2
15	3-22-66	90790
16	5-2-66	90374
17	9-10-66	90380
18	10-12-66	90771
19	10-19-66	92181
20	12-28-66	92962
21	12-21-67	95017-PC
22	1-24-69	96776
23	5-9-69	97243



SEE ISSUE CONTROL RECORD FOR COMPLETE LIST OF SHEET COMPRESSING THIS NO. SHEET 5

SHEET 5

SCHMATIC  
WIRING DIAGRAM  
FOR  
MODEL 33  
25W, KSR, HO  
DC SIGNAL LINE

APPROVALS

D AND R	E OF M
---------	--------

E-NUMBER

PROG. NO. 6353 WD

DATE 4-21-67

R.D. FILE NO. 2-301527/1538A

DRAWN BY CHD.

ENGD. A.S. APPD.

TELETYPE CORPORATION

6353WD