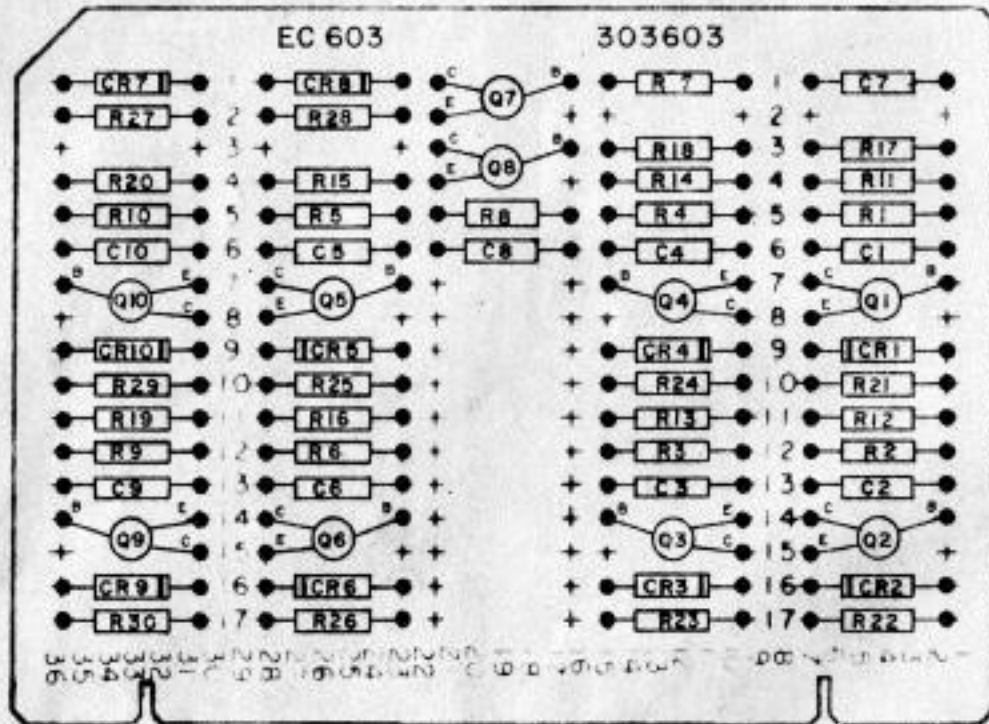
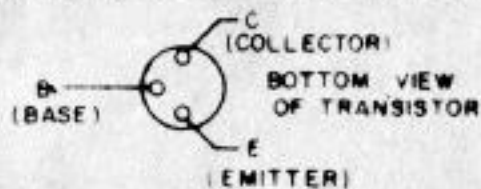


EC 603
303603



300002

NOTE
REFER TO 6050 WD FOR BASIC MARKING INFORMATION.



THIS CARD CONSISTS OF TEN IDENTICAL CIRCUITS. WHEN TERMINALS ② ARE TIED TO 0 VOLTS, THE CIRCUIT ACTS AS AN INVERTER. WHEN TERMINALS ② ARE USED AS INPUTS, THE CIRCUIT ACTS AS AN INHIBIT GATE.

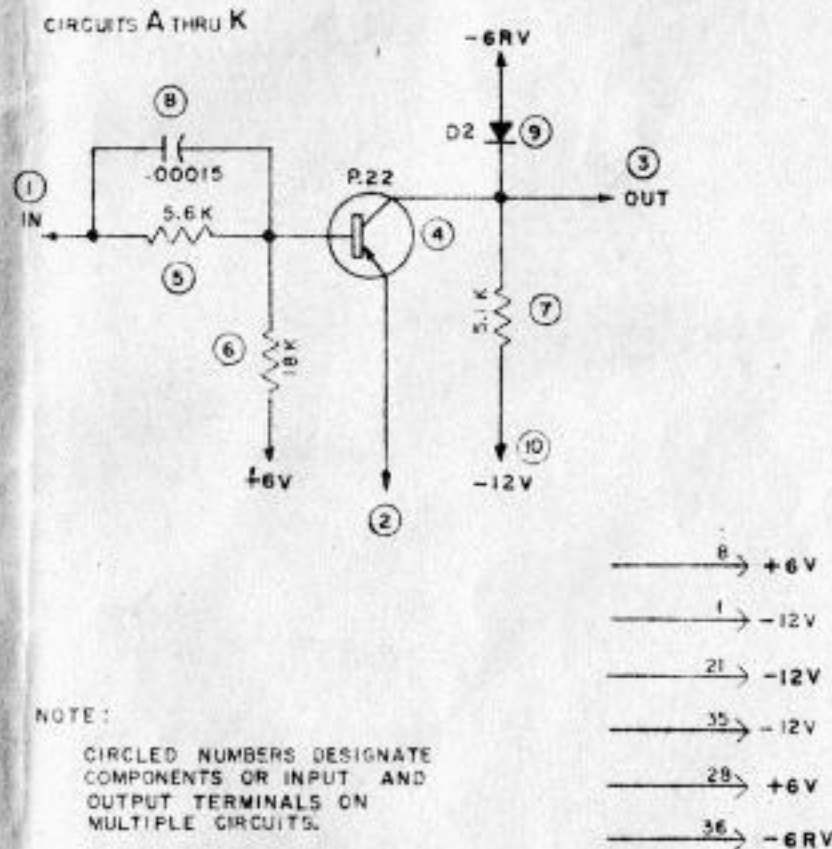
INVERTER OPERATION WHEN 0 VOLTS IS APPLIED AT INPUT TERMINAL ① TRANSISTOR ④ IS IN CUT-OFF CAUSING OUTPUT TERMINAL ③ TO BE CLAMPED AT -6 VOLTS. WHEN -6 VOLTS IS APPLIED AT INPUT TERMINAL ①, TRANSISTOR ④ SATURATES CAUSING OUTPUT TERMINAL ③ TO BE APPROXIMATELY -0.3 VOLTS. SPEED-UP CAPACITOR ⑧ IMPROVES OUTPUT SIGNAL RISE TIME.

INHIBIT GATE OPERATION INPUT TERMINALS ① AND ② VARY BETWEEN 0 VOLTS AND -6 VOLTS. WHEN INPUT TERMINAL ② IS AT -6 VOLTS, TRANSISTOR ④ IS IN CUT-OFF CAUSING TERMINAL ③ TO BE CLAMPED AT -6 VOLTS. INDEPENDENT OF VOLTAGE AT INPUT TERMINAL ①. WHEN INPUT TERMINAL ② IS AT 0 VOLTS, THE CIRCUIT DESCRIPTION IS THE SAME AS THE INVERTER DESCRIBED ABOVE.

THE COLLECTOR VOLTAGE (-12V) IS BROUGHT OUT AT THREE SEPARATE TERMINALS AS SHOWN TO THE RIGHT. THIS WILL ENABLE DELETING COLLECTOR VOLTAGES ON CERTAIN INVERTERS OR INHIBIT GATES, SO THAT MULTIPLE CIRCUITS

INHIBIT GATE OR
INVERTER (10)

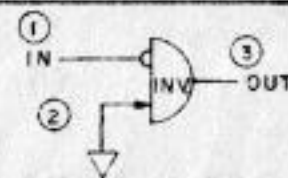
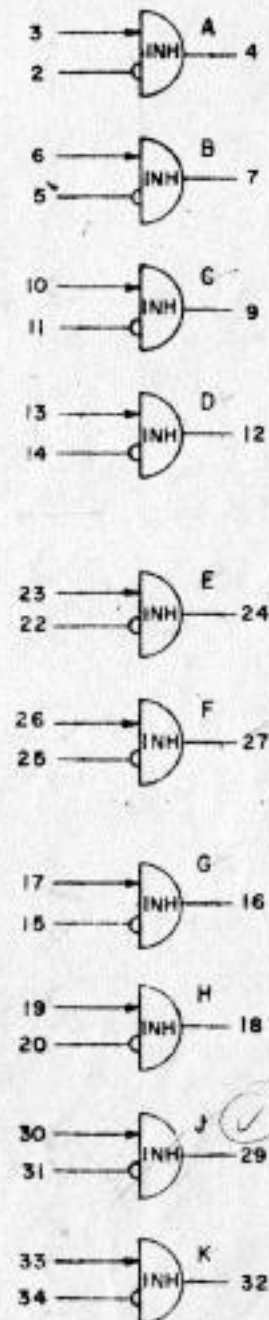
CIRCUIT BOARD EC603



TABLE

	①	②	③	④	⑤	⑥	⑦	⑧	⑨	⑩
A	2	3	4	Q1	R1	R11	R21	C1	CR1	1
B	5	6	7	Q2	R2	R12	R22	C2	CR2	1
C	11	10	9	Q3	R3	R13	R23	C3	CR3	1
D	14	13	12	Q4	R4	R14	R24	C4	CR4	1
E	22	23	24	Q5	R5	R15	R25	C5	CR5	21
F	25	26	27	Q6	R6	R16	R26	C6	CR6	21
G	15	17	16	Q7	R7	R17	R27	C7	CR7	35
H	20	19	18	Q8	R8	R18	R28	C8	CR8	35
I	31	30	29	Q9	R9	R19	R29	C9	CR9	35
K	34	33	32	Q10	R10	R20	R30	C10	CR10	35

SYMBOLS



REVISIONS

REVISE	DATE	AUTH	NO.

R & D USE ONLY

320

REF DESIGN	TELETYPE PART NO	TOTAL QTY	NAME AND DESCRIPTION	LOCATING FUNCTION	REF DESIGN	TELETYPE PART NO	TOTAL QTY	NAME AND DESCRIPTION	LOCATING FUNCTION
C1-C10	300010	10	CAPACITOR, .00015 MFD	SPEED-UP					
CR1-CR10	177108	10	DIODE, D-2	CLAMP					
Q1-Q10	177105	10	TRANSISTOR, P-22	AMPLIFIER					
R1-R10	118186	10	RESISTOR 5.6K OHMS	LIMITING					
R11-R20	118151	10	RESISTOR 18K OHMS	BIAS					
R21-R30	143665	10	RESISTOR 5.1K OHMS	COLLECTOR LOAD					
EC	300002	1	ETCHED CIRCUIT BOARD						
	144495	10	PAD, TRANSISTOR						

R & D USE ONLY

APPROVALS	
DRAWING NUMBER	
DRAWING NO. 300505	
DATE 9-11-63	
RD FILE NO 6-A 305,129A	
DRAWN R.W.V.	CHEK W.E.B.
ENGR J.M.G.	APPR K.K.K.
TELETYPE CORPORATION	