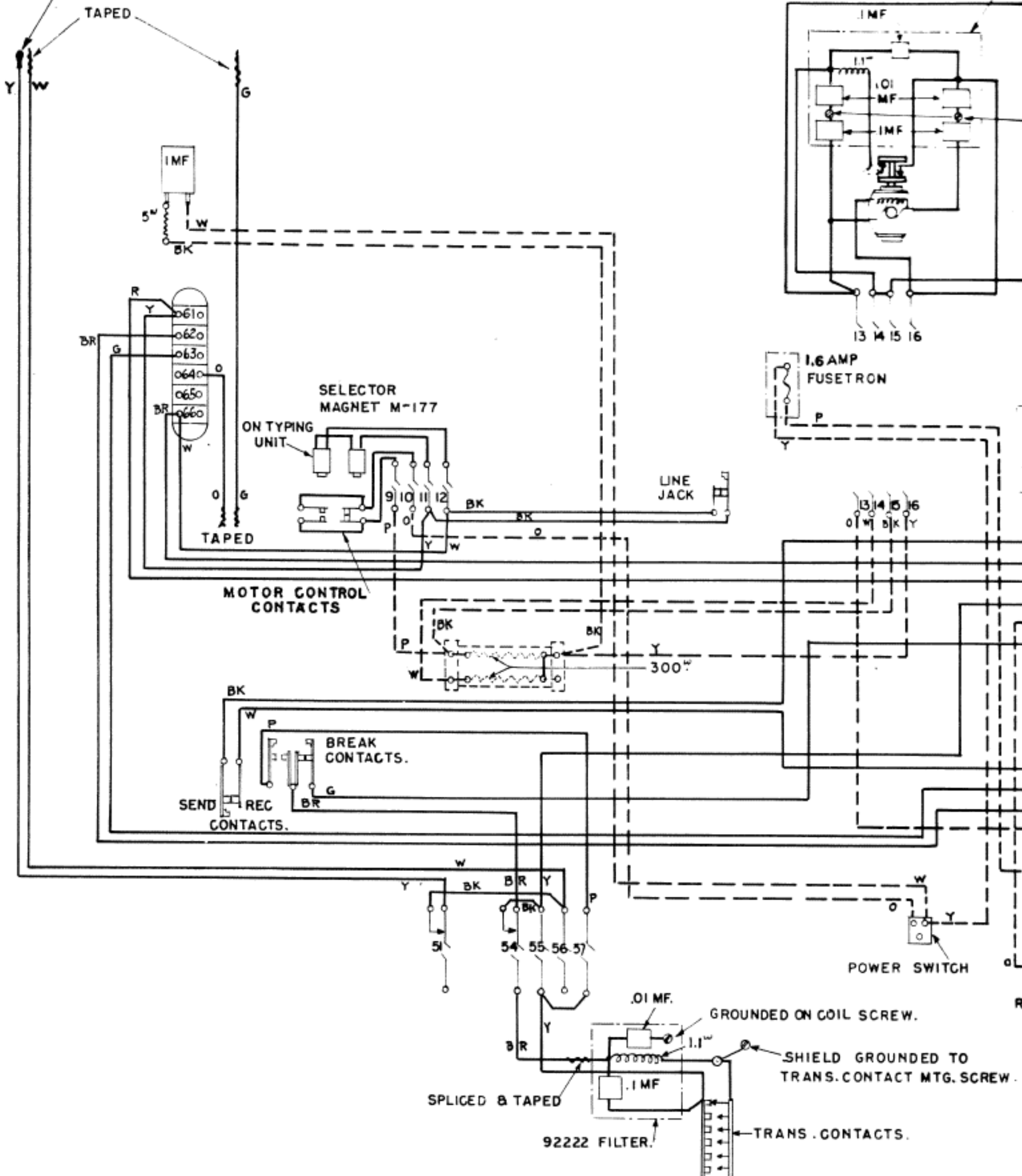


THIS LEAD TO BE EQUIPPED WITH  
82474 TERMINAL & TAPED

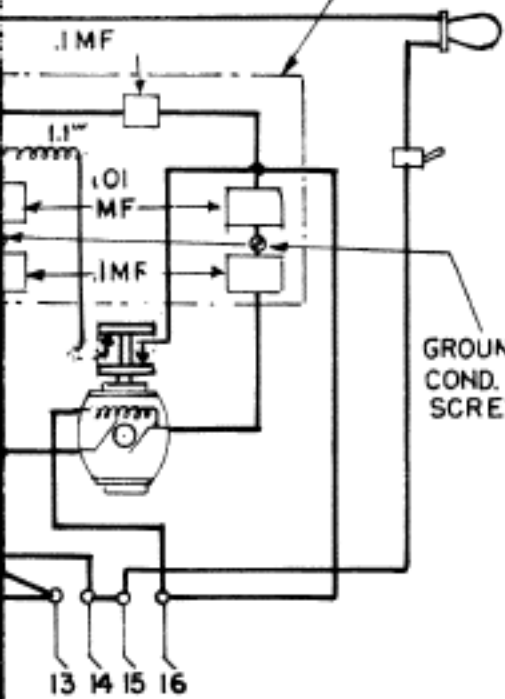
115 V.A.C.  
SERIES GOVERNED  
MOTOR UNIT  
(SEE NOTE 5)



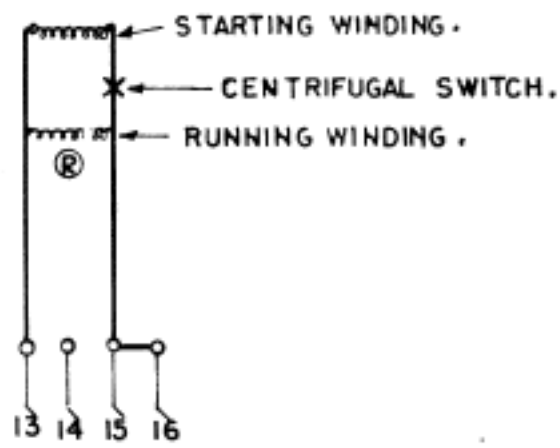
ACTUAL WIRING - 15 PRINTER SET WITH KEYBOARD

115 V.A.C.  
 LINES GOVERNED  
 MOTOR UNIT  
 (SEE NOTE 5)

99250 FILTER



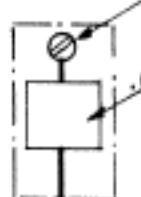
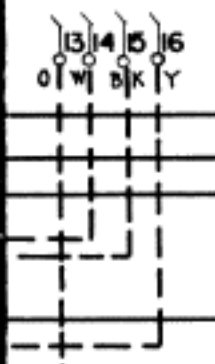
115 V.A.C. SYNCHRONOUS  
 MOTOR UNIT.



AMP  
 METRON

GROUND TO COND. MTG. SCREW.

.01 MF. - 93883 CONDENSER ASSEM.  
 USED WITH 92222 FILTER.



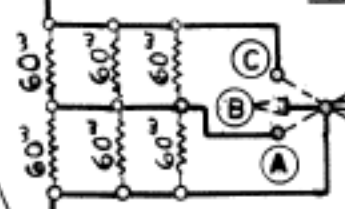
103605 CORD WITH PLUG  
 RED SHELL.

RECEIVING LINE  
 TRANSMITTING LINE

103606 CORD WITH PLUG.  
 BLACK SHELL

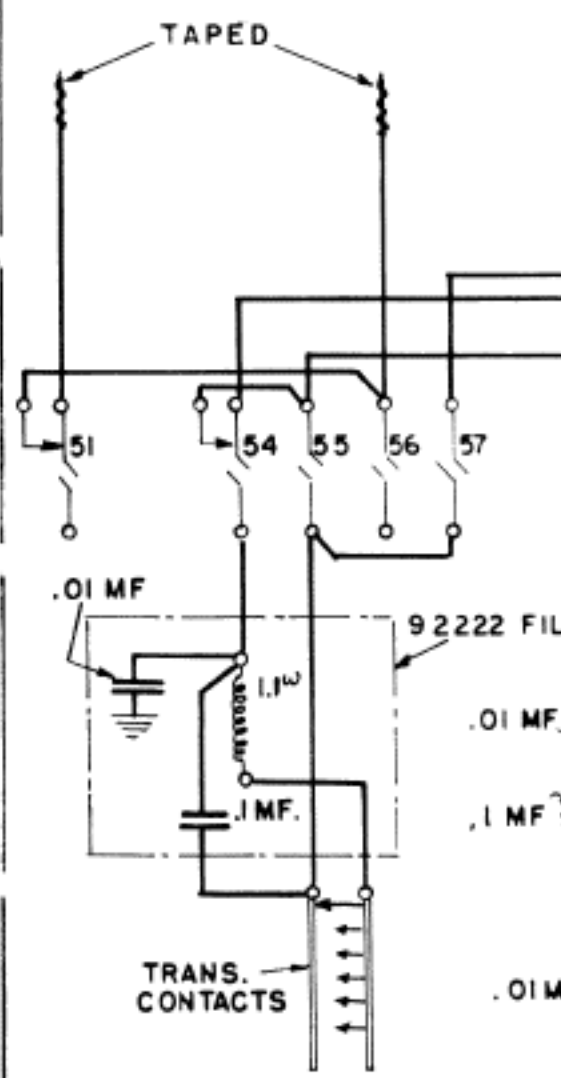
105284 CORD

SWITCH POSITIONS



115 V.A.C. - 50/60~  
 115 V.A.C. - 40~  
 115 V.A.C. - 25~  
 115 V.D.C.

103422 CORD WITH PLUG.



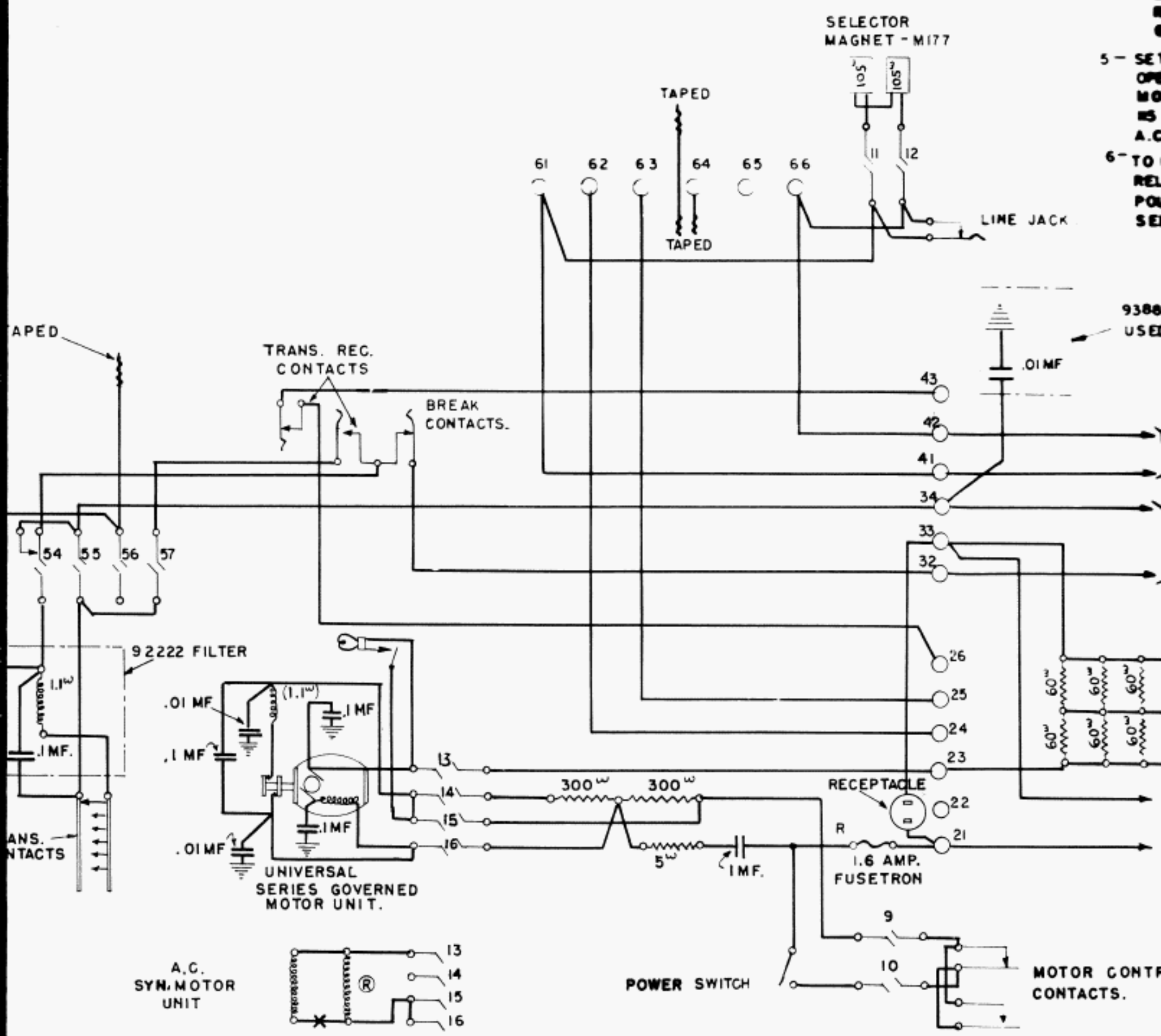
TRANS. CONTACTS

A.C.  
 SYN. MOTOR  
 UNIT

GROUND TO COND. MTG. SCREW.  
 CONTACTS.

KEYBOARD

- 1 - EQU
- 2 - ALL
- FIXT
- 3 - ASSC
- 10
- 74
- 74
- 4 - COL
- 5 - SET
- OP
- MO
- IS
- A.C.
- 6 - TO
- REL
- PO
- SE



SCHMATIC WIRING-15 PRINTER SET WITH KEYBOARD.

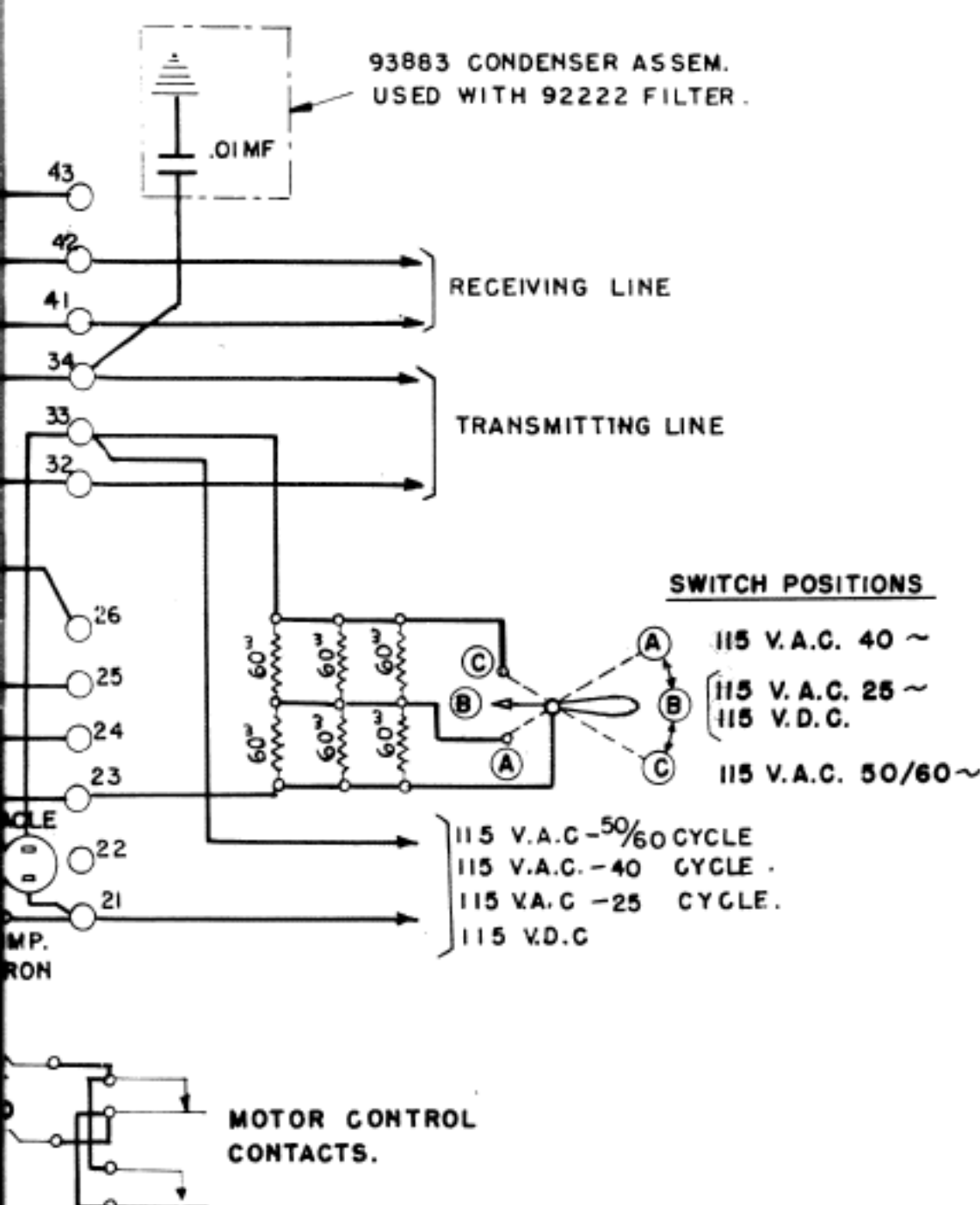
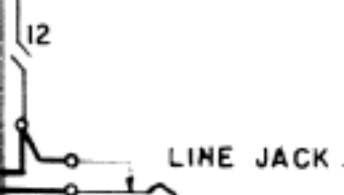
~ NOTES ~

- 1- EQUIPMENT SHOWN DOTTED IS UNDERNEATH UNITS.
- 2- ALL WIRES ARE NO.18 DELTABESTON COTTON COVERED FIXTURE WIRE, EXCEPT MOTOR LEADS.
- 3- ASSOCIATED CABLES -  
 105241 BASE (POWER)      74788 A.C. MOTOR UNIT.  
 105242 BASE (LINE)      105239 KEYBOARD.  
 74625 SELECTOR MAGNET 105526 RESISTOR CAGE.  
 74789 MOTOR CONTROL CONTACTS.
- 4- COLOR CODE -  
 W- WHITE      Y- YELLOW      BK- BLACK  
 R- RED      O- ORANGE      BR- BROWN  
 G- GREEN      P- PURPLE
- 5- SET INCLUDES RESISTORS AND SWITCH TO PERMIT OPERATION OF 115 VOLT  $50/60$  CYCLE A.C. SERIES MOTOR, ON 115 VOLTS 25 AND 40 CYCLE A.C. AND 115 VOLTS D.C., IN ADDITION TO 115 VOLTS  $50/60$  CYCLE A.C. OPERATION.
- 6- TO EQUIP BASE WITH MOUNTING FOR LINE RELAY AND RELAY RADIO FILTER, AND TO EQUIP KEYBOARD WITH POLAR- NEUTRAL KEY FOR USE WITH LINE RELAY, SEE SPEC. S-5404

REVISIONS

- (B) 82474 TERMINAL ADDED.  
10-31-42      J.J.F.
- (C) 103517 CORD CHANGED TO 105284  
12-19-42      J.J.F.
- (D) TITLE CHANGED.  
1-4-43      J.J.F.
- (E) 105526 RESISTOR CAGE CABLE, ADDED  
1-20-43      F.J.H.
- (F) 1.4 AMP. FUSE TRON CHANGED TO 1.6 AMP.  
5-13-43      J.J.F.
- (G) CHOKE COIL LEAD CONNECTED TO OUTER BRUSH SPRING  
7-24-43      G.G.

DR - M177



KEYBOARD.

TELETYPE CORPORATION  
WD 2159-G  
10-17-42

WIRING DIAGRAM  
U.S. ARMY SIGNAL CORPS  
PRINTER TG 7-B  
(MODEL 15 PRINTER WITH KEYBOARD INCLUDING RADIO FILTERS)

BPI14  
BB45  
BK23

DRAWN } N.D.S.  
TRACED }  
CHECKED } H.W.P.  
ENG R.D. }  
APPROVED } *[Signature]*