

NOTES

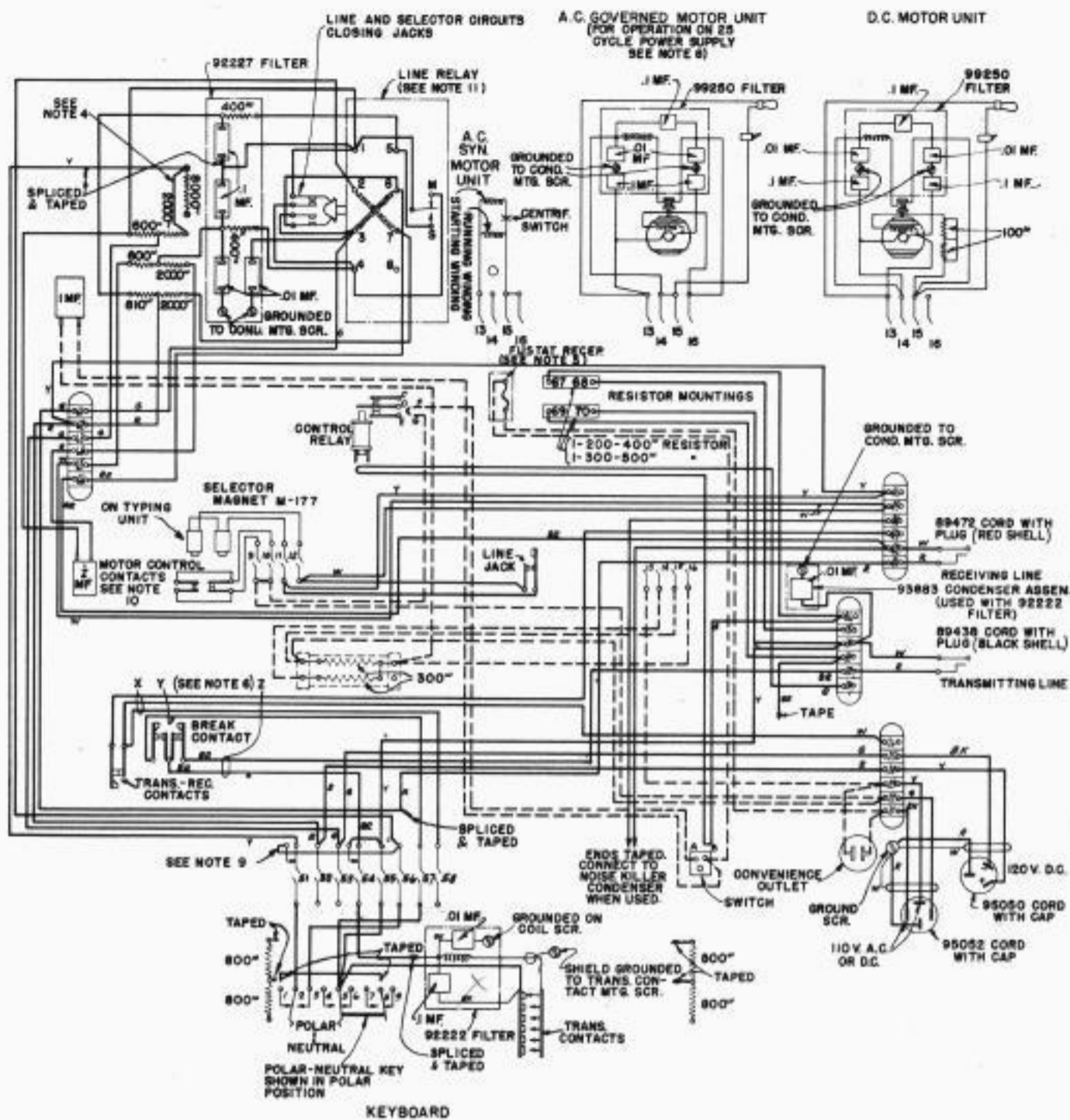
1. BASE WIRING SHOWN WITHOUT CONTROL RELAY. WHEN CONTROL RELAY IS USED, WIRES SHOWN CONNECTED TO "A" AND "B" ON SWITCH ARE REMOVED, SPLICED TOGETHER AND TAPED. WIRE LOOPS AT SWITCH AND CONTROL RELAY COIL ARE CUT AND CONNECTED TO RESPECTIVE UNITS. WIRE LOOP AT CONTROL RELAY CONTACTS IS CUT, "G" IS CONNECTED TO "E" FOR "BREAK OPER." AND TO "C" FOR "MAKE OPER." "F" IS CONNECTED TO "D" IN EITHER CASE.
2. FOR "BREAK OPER." INVERT POWER SWITCH TO MAKE "ON" AND "OFF" DESIGNATIONS ON COVER AGREE WITH OPERATION OF SWITCH.
3. TO OPERATE PRINTER WITHOUT LINE RELAY MOVE YELLOW WIRE FROM TERMINAL 62 TO 61; MOVE WHITE WIRE FROM TERMINAL 65 TO 66; REMOVE AND TAPE GREEN WIRE GOING TO LINE RELAY FROM TERMINAL 61.
4. FOR .020 AMP. SIGNAL LINE OPERATION, CONNECT THIS LEAD TO OTHER TERMINAL OF RESISTOR.
5. RECOMMENDED FUSETRON OR FUSTAT (AND ALTERNATE FUSE) PROTECTION

MOTOR	FUSETRON OR FUSTAT	FUSE
110 V. AC-60 CYCLE SYN.	* 3.2 AMP.	6 AMP.
110 V. AC-60 CYCLE GOV.	1.60 AMP.	3 AMP.
110 V. DC GOV.	.8 AMP.	3 AMP.
110 V. AC-25 CYCLE GOV.	1.4 AMP.	3 AMP.

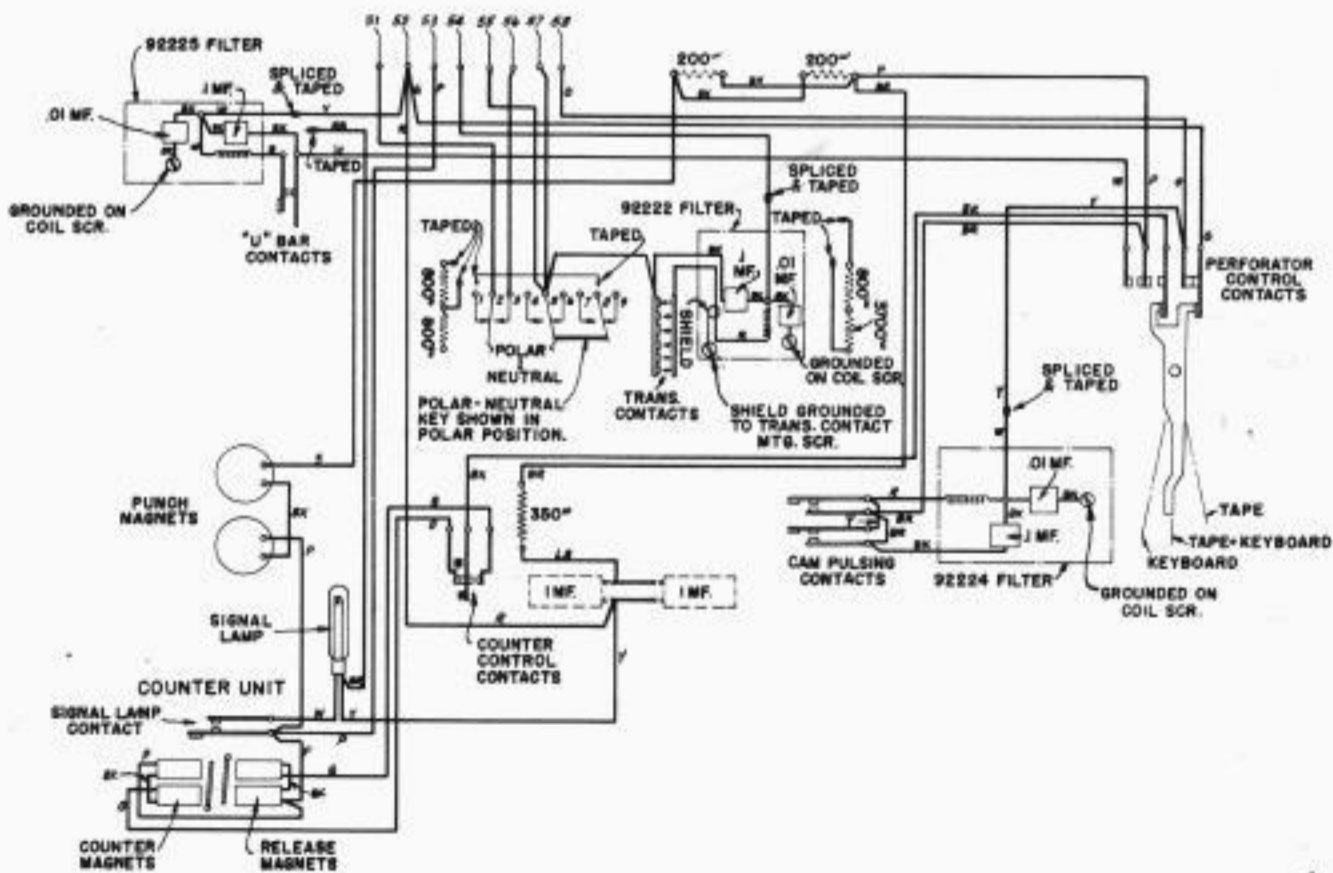
* A 3.2 AMP. FUSETRON IS FURNISHED WITH NEW 15 PTR. BASES.
6. TO DISABLE SEND-RECEIVE BREAK MECHANISM:
 - A. SPLICE AND TAPE WIRES MARKED "X".
 - B. TAPE WIRE MARKED "Y".
 - C. SPLICE AND TAPE WIRES MARKED "Z".
7. EQUIPMENT SHOWN DOTTED IS UNDERNEATH UNITS.
8. WHEN A.C. SERIES MOTOR IS TO BE DRIVEN FROM 25 CYCLE POWER SUPPLY, A 25 OHM RESISTOR SHOULD BE CONNECTED IN THE POWER LEADS.
9. WHEN POLAR SIGNALS ARE USED, REMOVE JUMPER BETWEEN BACK CONTACT NO. 51 AND SLIP CONNECTION CONTACT NO. 56 ON BASE.
10. CONTACTS SHOWN BETWEEN TERMINALS 9 AND 10 ARE PRESENT ON TYPING UNIT ONLY WHEN MOTOR CONTROL ON FIGURES "H", OR FIGURES "M" IS USED. WHEN MOTOR CONTROL IS USED REMOVE STRAP BETWEEN 9 AND 10.
11. RY-28 RELAY (W.E. 215-H) - 85 OHMS PER WINDING. (FOR .060 AMPERE SIGNALING ONLY)
RY-30 RELAY (W.E. 255-A) - 136 OHMS PER WINDING. (FOR .060 OR .020 AMPERE SIGNALING)
12. COLOR CODE:

W - WHITE	Y - YELLOW	S - SLATE	BK - BLACK
R - RED	O - ORANGE	BR - BROWN	
G - GREEN	P - PURPLE	LB - LIGHT BLUE	
13. ASSOCIATED CABLES:

74574 BASE (LINE)	74788 A. C. MOTOR UNIT	92814 BASE
74573 BASE (POWER)	74572 KEYBOARD & PERF. TRANS.	99661 PERFORATOR & COUNTER (PERF. TRANS.)
74575 LINE RELAY UNIT	74625 SELECTOR MAGNET	83695 RESISTOR (PERF. TRANS.)
74571 D. C. MOTOR UNIT	74789 MOTOR CONTROL CONTACTS	
14. ALL WIRES ARE NO. 18 DELTABESTON COTTON COVERED FIXTURE WIRE, EXCEPT MOTOR LEADS.
15. THIN LINES INDICATE WIRES NOT IN CABLE.



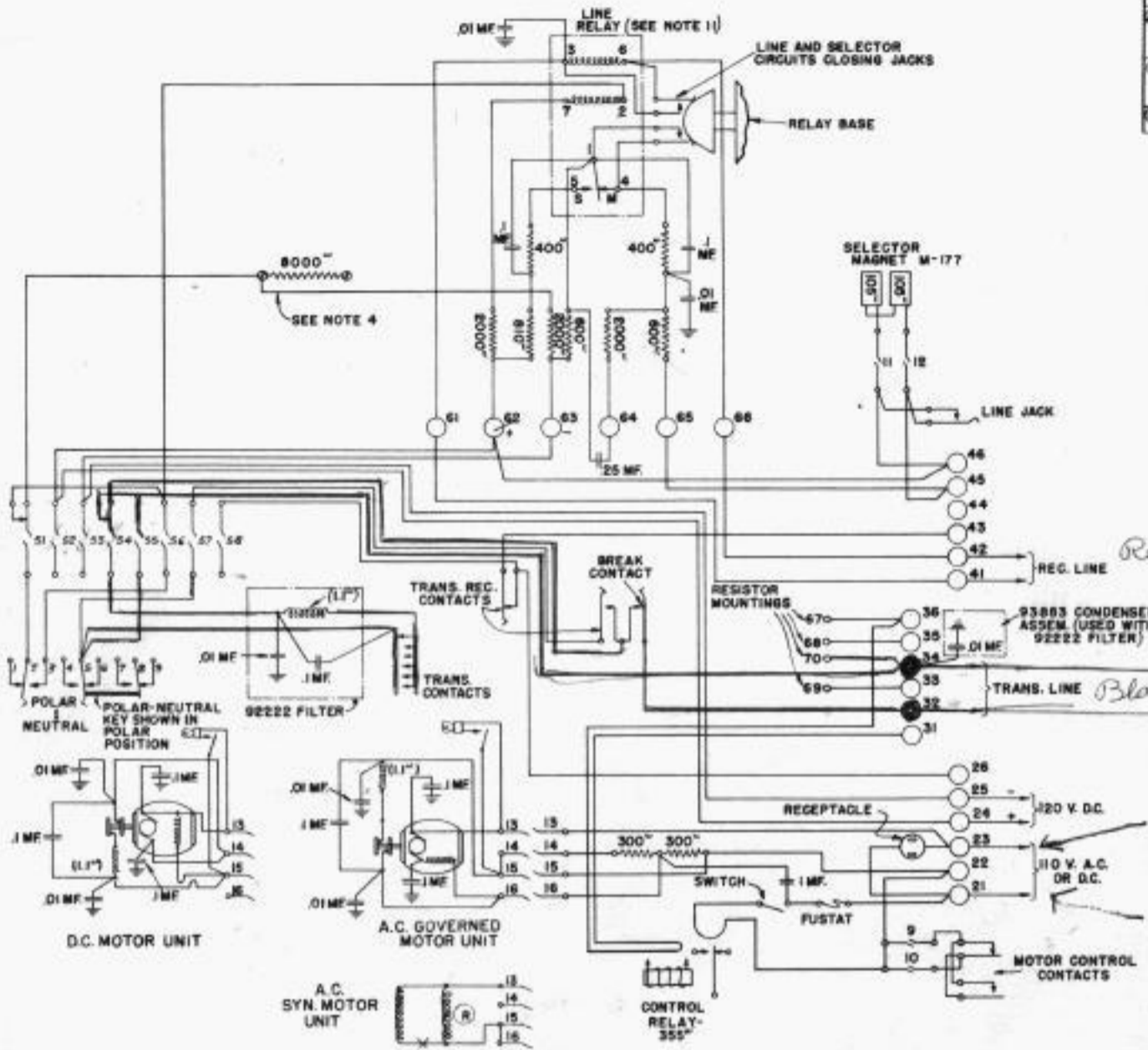
ACTUAL WIRING 15 PRINTER SET WITH KEYBOARD



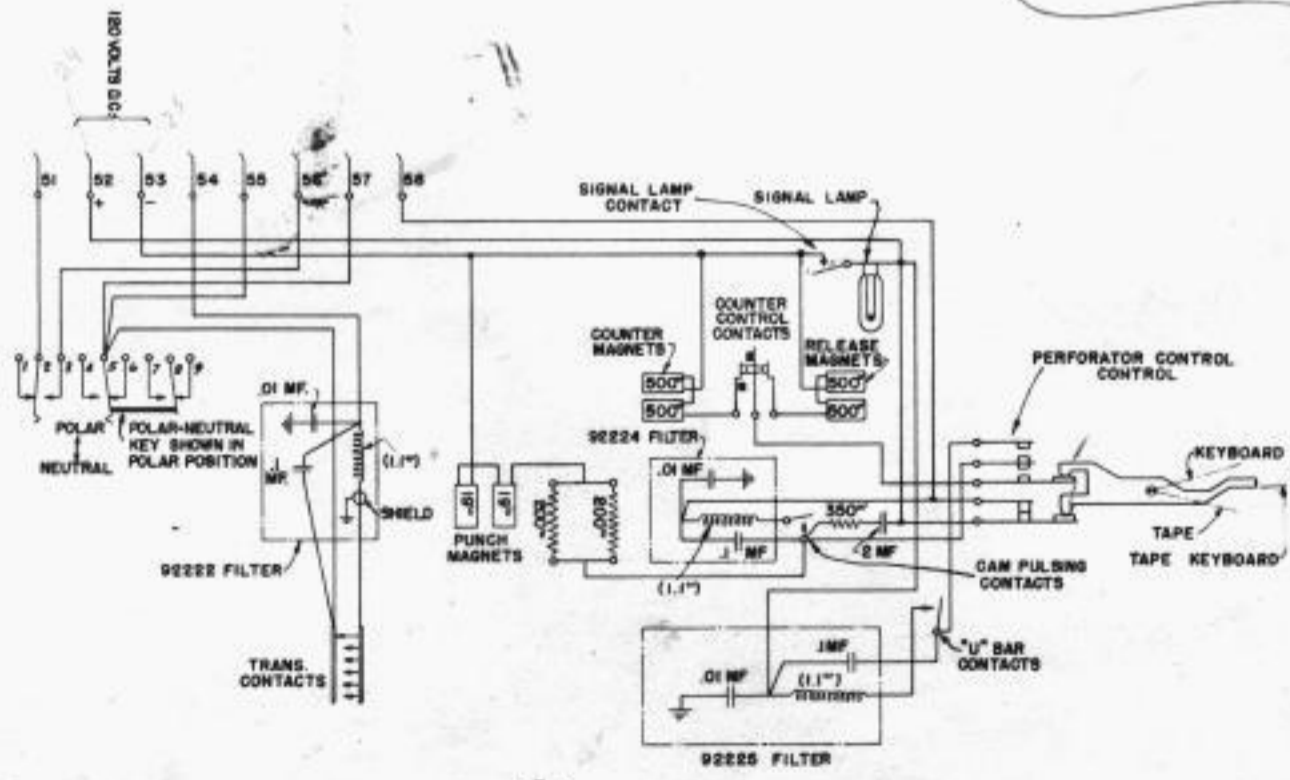
ACTUAL WIRING - 15 TYPE PERFORATOR TRANSMITTER
(CHARACTER COUNTER UNIT MOUNTED ON PUNCH ASSEMBLY TO THE LEFT OF KEYBOARD)

REVISIONS	
1	REVISION
2	REVISION
3	REVISION
4	REVISION
5	REVISION
6	REVISION
7	REVISION

1. BASE SWITCH TO RE "O" P
2. FOR "
3. TO OP 65 TO
4. FOR J
5. RECOM
6. TO DI A B C
7. EQUIP
8. WHEN POWER
9. WHEN
10. CONTAM OR FIG
11. RY-28 RY-30
12. COLOR
13. ASSOC
14. ALL W
15. THIN



SCHMATIC WIRING - 15 PRINTER SET WITH KEYBOARD



SCHMATIC WIRING 15 TYPE PERFORATOR TRANSMITTER

TELETYPE CORPORATION	
WD-1986-G	
WIRING DIAGRAM MODEL 15 PRINTER WITH KEYBOARD AND PERFORATOR TRANSMITTER (INCLUDING RADIO FILTERS)	
SP-13, SP-22, SP-23, SP-25, SP-107	8857
SK-12	PEX-20
DRAWN H.C.A. [Signature]	
TRACED [Signature]	
CHECKED [Signature]	
EM'G'S [Signature]	
APPROVED H.C.G. [Signature]	