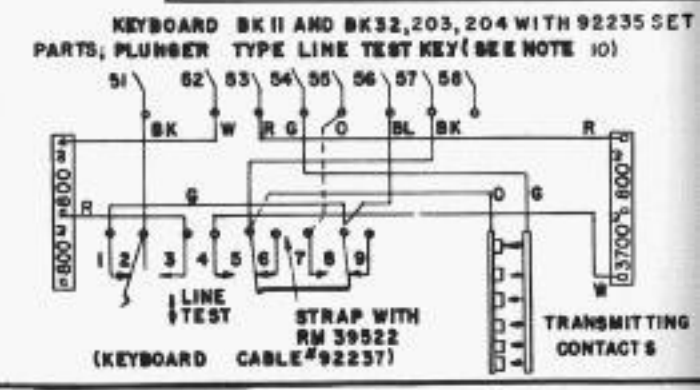
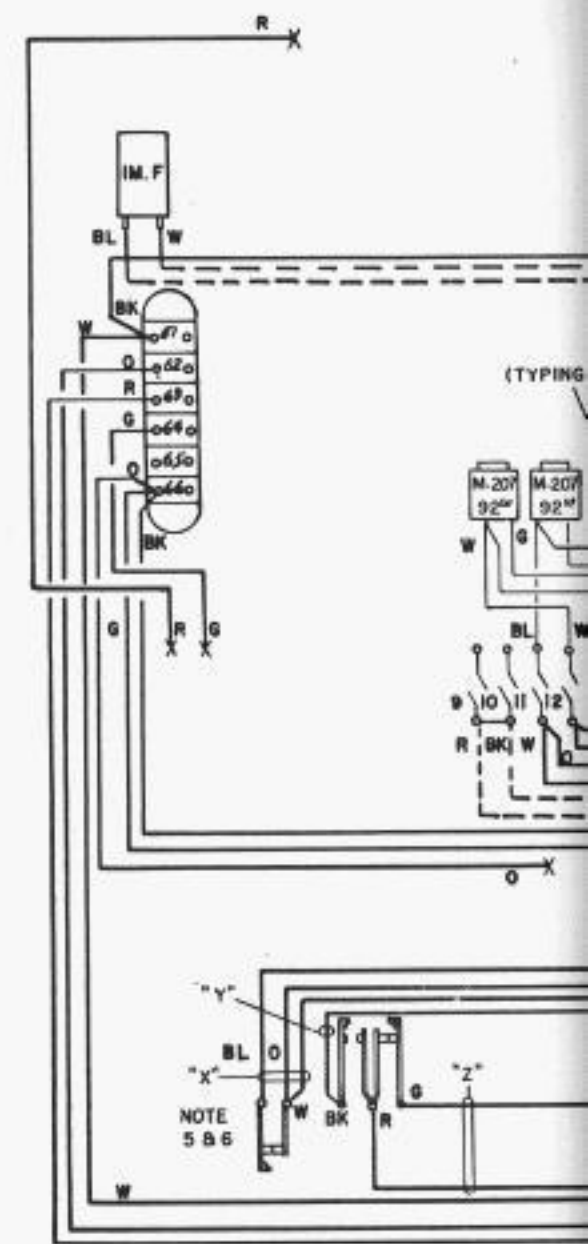
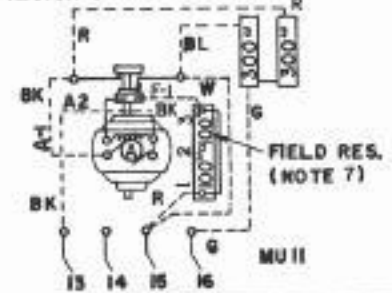


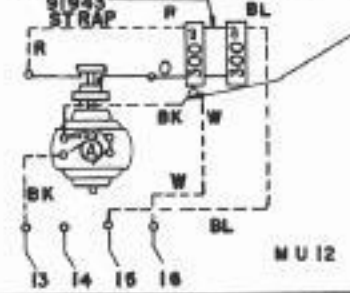
NO.	NOTES																														
1.	<p>RECOMMENDED FUSETRON OR FUSTAT (AND ALTERNATE FUSE) PROTECTION</p> <table border="1"> <thead> <tr> <th>MOTOR</th> <th>FUSETRON OR FUSTAT</th> <th>FUSE</th> </tr> </thead> <tbody> <tr> <td>110V. A.C. 60 SYN.</td> <td>3.2 AMP</td> <td>6 AMP</td> </tr> <tr> <td>110V. A.C. 60 GOV.</td> <td>1.6 AMP</td> <td>3 AMP</td> </tr> <tr> <td>110 V.A.C. 25 GOV.</td> <td>1.4 AMP.</td> <td>3 AMP</td> </tr> <tr> <td>110 V.A.C. 25 SYN.</td> <td>3.2 AMP</td> <td>6 AMP</td> </tr> <tr> <td>110 &amp; 220V. D.C. GOV.</td> <td>.8 AMP</td> <td>3 AMP</td> </tr> </tbody> </table>	MOTOR	FUSETRON OR FUSTAT	FUSE	110V. A.C. 60 SYN.	3.2 AMP	6 AMP	110V. A.C. 60 GOV.	1.6 AMP	3 AMP	110 V.A.C. 25 GOV.	1.4 AMP.	3 AMP	110 V.A.C. 25 SYN.	3.2 AMP	6 AMP	110 & 220V. D.C. GOV.	.8 AMP	3 AMP												
MOTOR	FUSETRON OR FUSTAT	FUSE																													
110V. A.C. 60 SYN.	3.2 AMP	6 AMP																													
110V. A.C. 60 GOV.	1.6 AMP	3 AMP																													
110 V.A.C. 25 GOV.	1.4 AMP.	3 AMP																													
110 V.A.C. 25 SYN.	3.2 AMP	6 AMP																													
110 & 220V. D.C. GOV.	.8 AMP	3 AMP																													
2.	<p>WIRE COLOR CODE AND SYMBOLS: MAY BE SOLID COLOR OR TRACER IN WHITE WIRE</p> <table border="1"> <thead> <tr> <th>SYMBOL</th> <th>COLOR</th> <th>SYMBOL</th> <th>COLOR</th> <th>SYMBOL</th> <th>COLOR</th> </tr> </thead> <tbody> <tr> <td>Y</td> <td>YELLOW</td> <td>W</td> <td>WHITE</td> <td>R</td> <td>RED</td> </tr> <tr> <td>G</td> <td>GREEN</td> <td>O</td> <td>ORANGE</td> <td>BK</td> <td>BLACK</td> </tr> <tr> <td>BR</td> <td>BROWN</td> <td>S</td> <td>SLATE</td> <td>BL</td> <td>BLUE</td> </tr> <tr> <td>P</td> <td colspan="5">PURPLE (RED &amp; BLUE TRACER)</td> </tr> </tbody> </table> <p>—X DENOTES: TAPE WIRE —X DENOTES: SPLICE &amp; TAPE</p>	SYMBOL	COLOR	SYMBOL	COLOR	SYMBOL	COLOR	Y	YELLOW	W	WHITE	R	RED	G	GREEN	O	ORANGE	BK	BLACK	BR	BROWN	S	SLATE	BL	BLUE	P	PURPLE (RED & BLUE TRACER)				
SYMBOL	COLOR	SYMBOL	COLOR	SYMBOL	COLOR																										
Y	YELLOW	W	WHITE	R	RED																										
G	GREEN	O	ORANGE	BK	BLACK																										
BR	BROWN	S	SLATE	BL	BLUE																										
P	PURPLE (RED & BLUE TRACER)																														
3.	<p>ASSOCIATED CABLES:</p> <table border="1"> <tbody> <tr> <td>—————</td> <td>91770 BASE-LINE</td> <td>—————</td> <td>91277 TYPING UNIT</td> </tr> <tr> <td>-----</td> <td>91769 BASE-POWER</td> <td>—————</td> <td>91768 STRAP</td> </tr> <tr> <td>-----</td> <td>91763 D.C. MOTOR UNIT</td> <td>—————</td> <td>74572 KEYBOARD UNIT</td> </tr> <tr> <td>-----</td> <td>91762 A.C. MOTOR UNIT</td> <td>—————</td> <td>92237 KEYBOARD UNIT</td> </tr> <tr> <td>-----</td> <td>92238 KEYBOARD UNIT</td> <td>-----</td> <td>114749 KEYBOARD UNIT</td> </tr> </tbody> </table>	—————	91770 BASE-LINE	—————	91277 TYPING UNIT	-----	91769 BASE-POWER	—————	91768 STRAP	-----	91763 D.C. MOTOR UNIT	—————	74572 KEYBOARD UNIT	-----	91762 A.C. MOTOR UNIT	—————	92237 KEYBOARD UNIT	-----	92238 KEYBOARD UNIT	-----	114749 KEYBOARD UNIT										
—————	91770 BASE-LINE	—————	91277 TYPING UNIT																												
-----	91769 BASE-POWER	—————	91768 STRAP																												
-----	91763 D.C. MOTOR UNIT	—————	74572 KEYBOARD UNIT																												
-----	91762 A.C. MOTOR UNIT	—————	92237 KEYBOARD UNIT																												
-----	92238 KEYBOARD UNIT	-----	114749 KEYBOARD UNIT																												
4.	<p>MOTOR CONTROL RELAY WIRED AS FOLLOWS ON BB78:</p> <ol style="list-style-type: none"> <li>REMOVE "BK" WIRE FROM SWITCH TERMINAL "B" AND CONNECT TO TERMINAL "A".</li> <li>CUT WIRE LOOP AT CONTROL RELAY COIL AND CONNECT TO TERMINALS "H" AND "J".</li> <li>CUT WIRE LOOP AT CONTROL RELAY CONTACTS AND CONNECT "F" TO "G" AND "G" TO "D".</li> </ol> <p>MOTOR CONTROL RELAY NOT FURNISHED ON BB26.</p>																														
5.	<p>SEND-RECEIVE-BREAK MECHANISM NOT WIRED ON BB78.</p>																														
6.	<p>TO DISABLE SEND-RECEIVE-BREAK MECHANISM:</p> <ol style="list-style-type: none"> <li>SPLICE AND TAPE WIRES MARKED "X"</li> <li>TAPE WIRE MARKED "Y"</li> <li>SPLICE AND TAPE WIRES MARKED "Z"</li> </ol>																														
7.	<p>IF MOTOR FAILS TO REACH DESIRED SPEED WITH GOVERNOR ADJUSTED, INSERT 50, 100 OR 200 OHMS IN FIELD LOOP. IF VOLTAGE IS EXCESSIVE, INSERT 50 OHMS IN ARMATURE CIRCUIT BY SUBSTITUTING ARMATURE LOOP FOR FIELD LOOP. (FOR 50 OHMS STRAP 1 &amp; 3 AND CONNECT LEADS TO 1 &amp; 2 OR 2 &amp; 3. 200 OHM RESISTOR NOT PRESENT ON 220 V. D.C. MOTORS.</p>																														
8.	<p>CONNECT ONE OF THE 1000 OHM RESISTOR LEADS TO TERMINAL 45 WHEN IT IS NECESSARY TO REDUCE THE NEGATIVE INTERNAL BIAS OF HOLDING MAGNET TYPE PRINTERS WITH SELECTOR COILS CONNECTED IN PARALLEL.</p>																														
9.	<p>LINE JACK IS OPEN WHEN PRINTER IS IN POSITION.</p>																														
10.	<p>WIRING OF KEYBOARDS SHOWN FOR .020 AMP OPERATION. FOR .060 AMP OPERATION, MOVE WIRE FROM END OF 3700-800Ω RESISTOR TO CENTER TERMINAL SO THAT 800Ω IS IN THE CIRCUIT.</p>																														



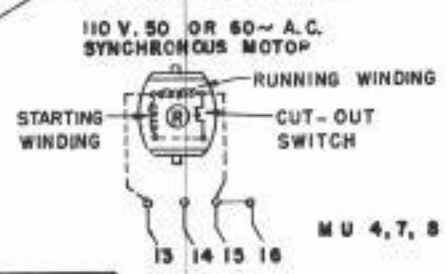
110 V. DC. SHUNT MOTOR  
(MOTOR UNIT CABLE 91763)



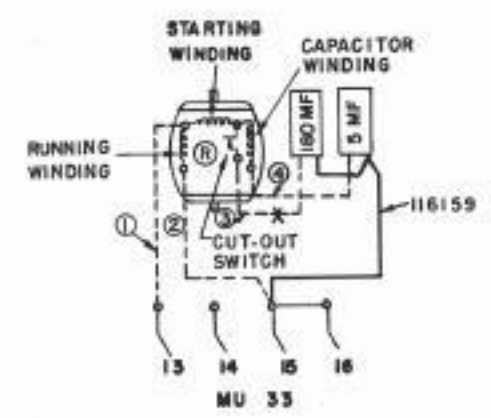
110 V. 30-60 AC. SERIES MOTOR  
(MOTOR UNIT CABLE 91762)



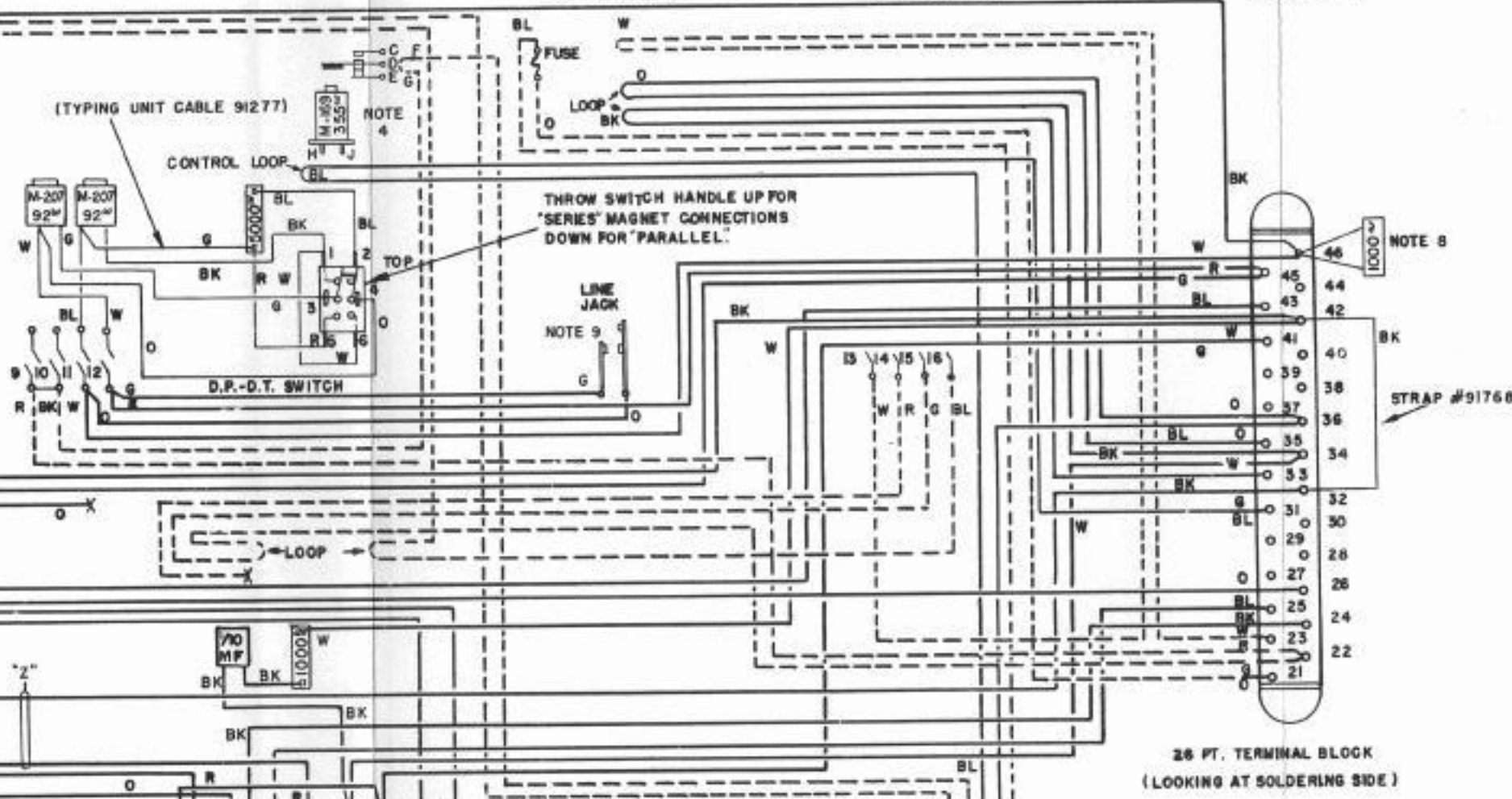
COVER MOTOR LEAD AT RES. TERM.  
WITH RM60280 TUBING.



115VOLT 25 CYCLE  
SYNCHRONOUS MOTOR

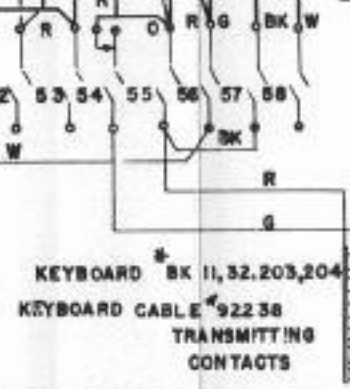
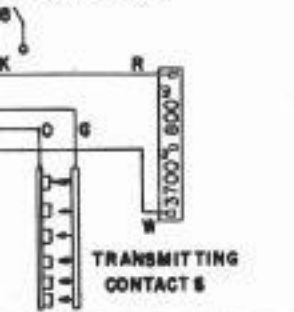


REVISIONS		
(W)	3-16-48	44080
(X)	9-21-48	45508
(Y)	10-26-48	45769
(Z)	11-17-48	45934
(AA)	1-25-49	46555
(AB)	6-27-50	49480
(AC)	5-15-50	49548
(AD)	10-31-50	50312
(AE)	3-26-51	51119

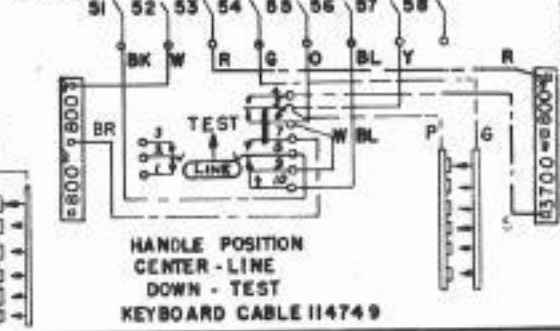


26 FT. TERMINAL BLOCK  
(LOOKING AT SOLDERING SIDE)

204 WITH 92235 SET OF  
(SEE NOTE 10)



KEYBOARD BK 4, 11, 32, 202, 203, 204 WITH 112549 SET OF  
PARTS; CAM TYPE LINE TEST KEY



WD-1620-AE  
12-13-35  
WIRING DIAGRAM  
15 TYPE

PRINTER UNITS 155  
BP 64, 110, 120, 128, 127,  
36, 129, 146, 155, 166, 173  
BK 4, 11, 32, 202, 203, 204  
BB 26, 78  
MU 4, 11, 7, 8, 12, 33

DRAWN: G.A.R. APPROVED:  
ENGR'D: *[Signature]*  
CHECKED: *[Signature]* B.W.

FILE: 6-30.8.14A

TELETYPE  
CORPORATION